

T.P.	NO SIGNAL	40VRMS OUT @ 8 OHMS	LIMITING @ 8 OHMS	AS NOTED	WAVEFORM
* 1		0.68Vrms	0.79Vrms		~
* 2		0.68Vrms	0.79Vrms		~
3	+/-20mVdc	1.5V	1.5V		
4	+/-1Vdc	2.6Vdc	2.6Vdc		AS SHOWN PER COLUMN
5	+7mVdc	1.9mV	2.7mV		
6	+5Vdc	+4.82Vdc	+4.82Vdc		
7	-5Vdc	-5.12Vdc	-5.12Vdc		
8	0V	+43.6mVdc	+74mVdc		

BIAS ADJUSTMENT: WITH NO SIGNAL AND NO LOAD  
 ADJUST AP101 TO OBTAIN AN AVERAGE OF 25 ± 5mV ACROSS R139, 140, 146, 147, 152, 153, 158, 159, 164, 165.  
 ADJUST AP201 TO OBTAIN AN AVERAGE OF 25 ± 5mV ACROSS R239, 240, 246, 247, 252, 253, 258, 259, 264, 265.

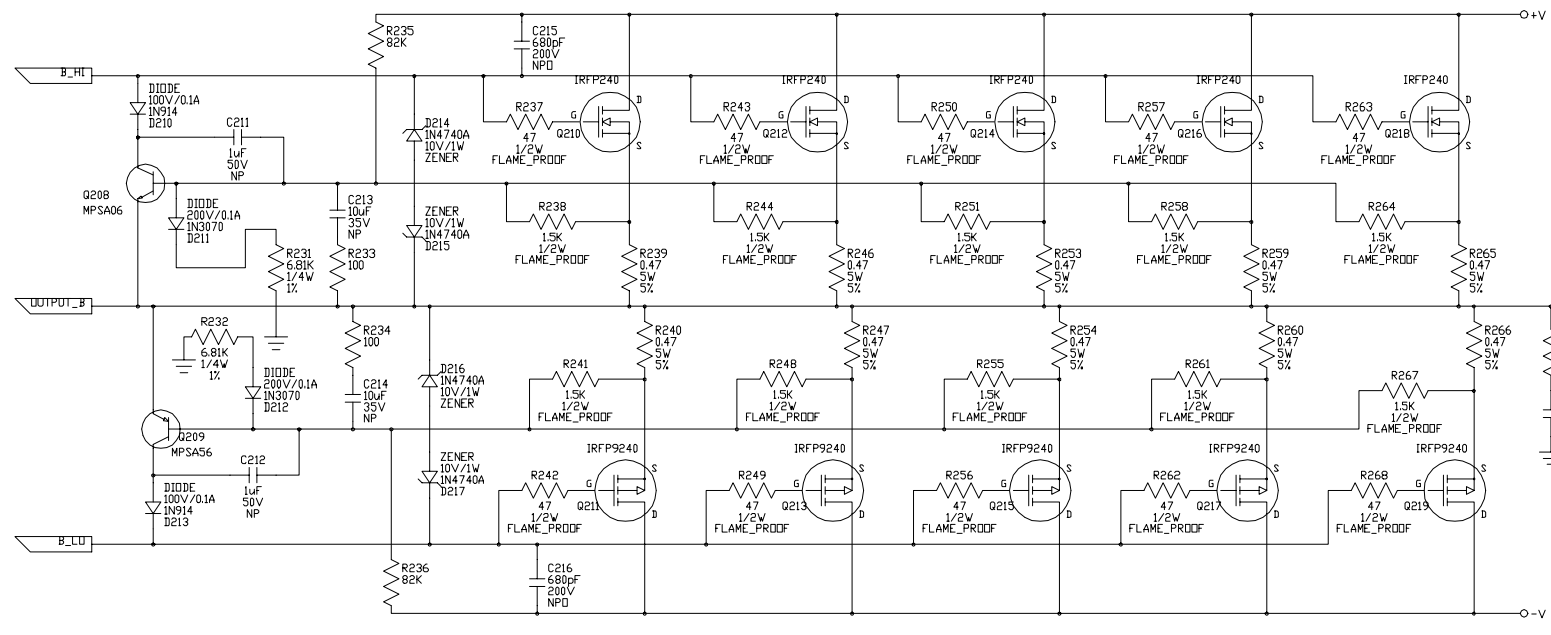
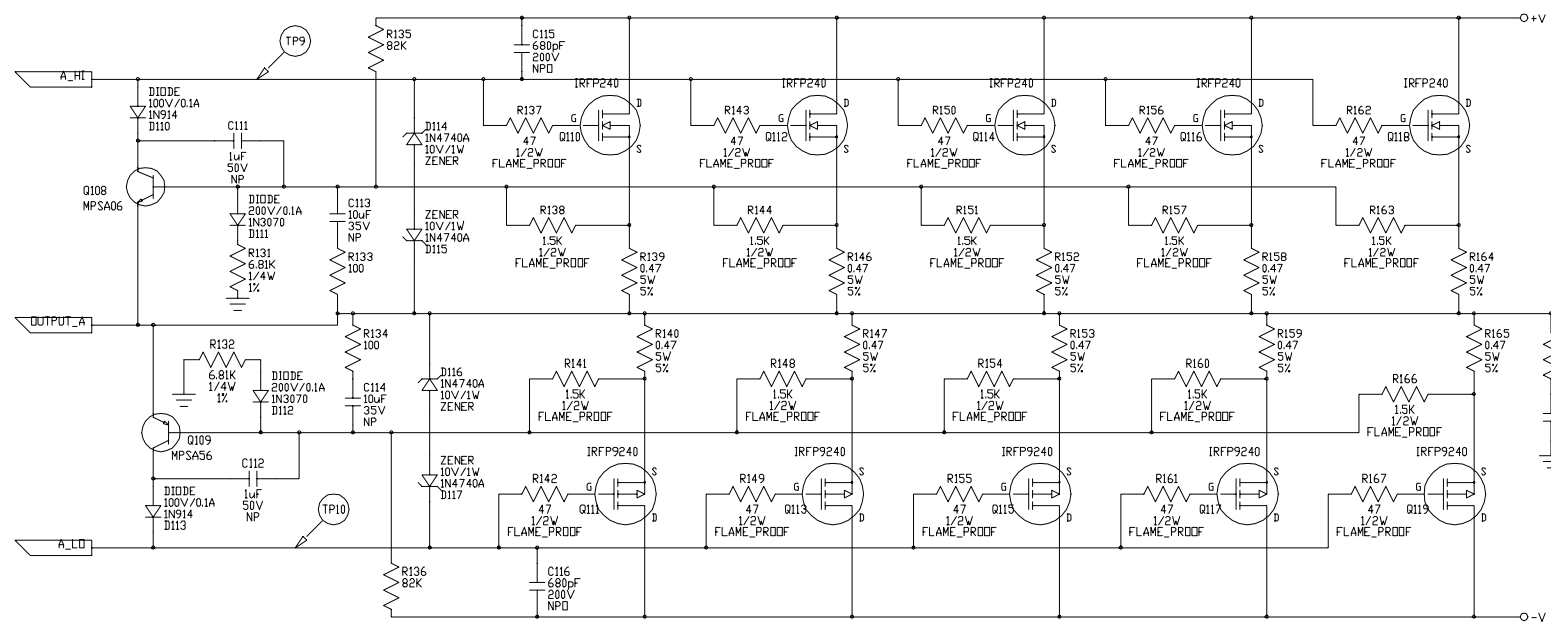
- NOTES
- CAUTION: SHOCK HAZARD!! THIS UNIT CONTAINS HAZARDOUS VOLTAGE. DISCONNECT POWER AND BE SURE POWER SUPPLY IS DISCHARGED BEFORE TOUCHING INTERNAL PARTS.
  - UNLESS NOTED, RESISTOR VALUES IN OHMS, 1/4W-5% TOL. CAPACITOR VALUES IN MICROFARADS, 50V-10% TOL.
  - VOLTAGES ARE MEASURED WITH 1 MEGOHM OSCILLOSCOPE AND 10 MEGOHM DIGITAL VOLTMETER.
  - CHASSIS GROUND  $\text{⏏}$  SIGNAL GROUND  $\text{⏏}$  CIRCUIT GROUND  $\text{⏏}$

CAUTION: THIS SCHEMATIC IS PROVIDED FOR USE BY QUALIFIED PERSONNEL TO AVOID RISK OF ELECTRICAL SHOCK. REFER SERVICING TO QUALIFIED SERVICE PERSONNEL. DO NOT PERFORM ANY SERVICING BEYOND THAT IN THE OPERATING INSTRUCTIONS.

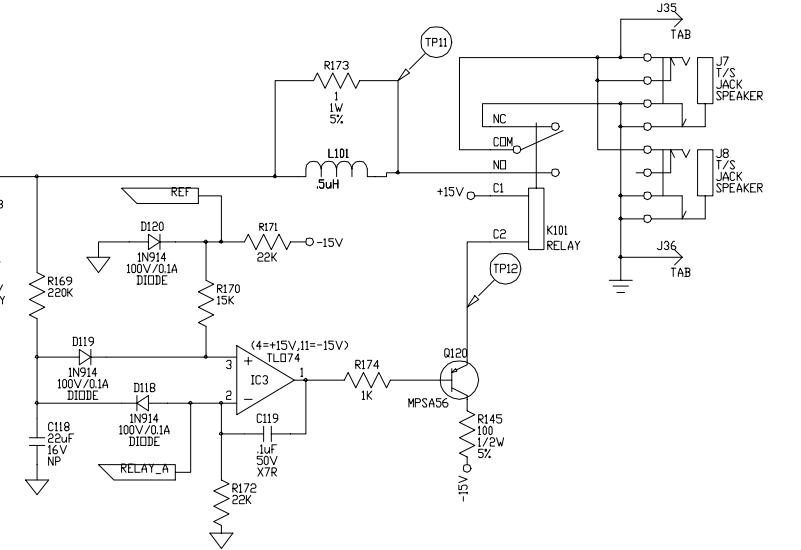
DESIGNATOR'S LAST USED	NOT USED
CH 1 CH 2 R275, Q220	D219, C219
IC5, R36, D28, C40	J41
	J31, J32 C36, R26 D5-7, D17

THIS DRAWING REPRESENTS ASSY 07-428-01 & -02  
 THIS DRAWING SUPERCEDES 07S428-01

REV:	DATE:	DESCRIPTION:	ECR/ECN NO:	CHNG'D BY:	APPR'D BY:	DATE:
0	9/29/99	CONTROL ISSUE		REM		
THE INFORMATION CONTAINED ON THIS DRAWING IS PROPRIETARY TO ST. LOUIS MUSIC, INC.						
SIGNATURES:		DATE:		11880 Borman Dr. St. Louis, Missouri 63146		
DRAWN: REM		9-26-96		FIRST USED ON:		
CHK'D:				SVT-4 PRO		
RLS'D:				DRAWING TITLE:		
TOLERANCES:		DRAWING SIZE: D		DRAWING NO:		
DRAWING TYPE:		PWR AMP SCH		DRAWING NO:		
CLASS CODE:		DRAWING NO:		07S428-XX		
SCALE: NONE		SHEET: 1 OF 3				



T.P.	NO SIGNAL	40VRMS OUT @ 8 OHMS	LIMITING @ 8 OHMS	AS NOTED	WAVEFORM
9	+3.6Vdc	40Vrms	45Vrms		~
10	-3.5Vdc	40Vrms	45Vrms		~
11	7.2mVdc	40Vrms	45Vrms		~
12	-11.52Vdc	-11.8Vdc	-11.8Vdc		—

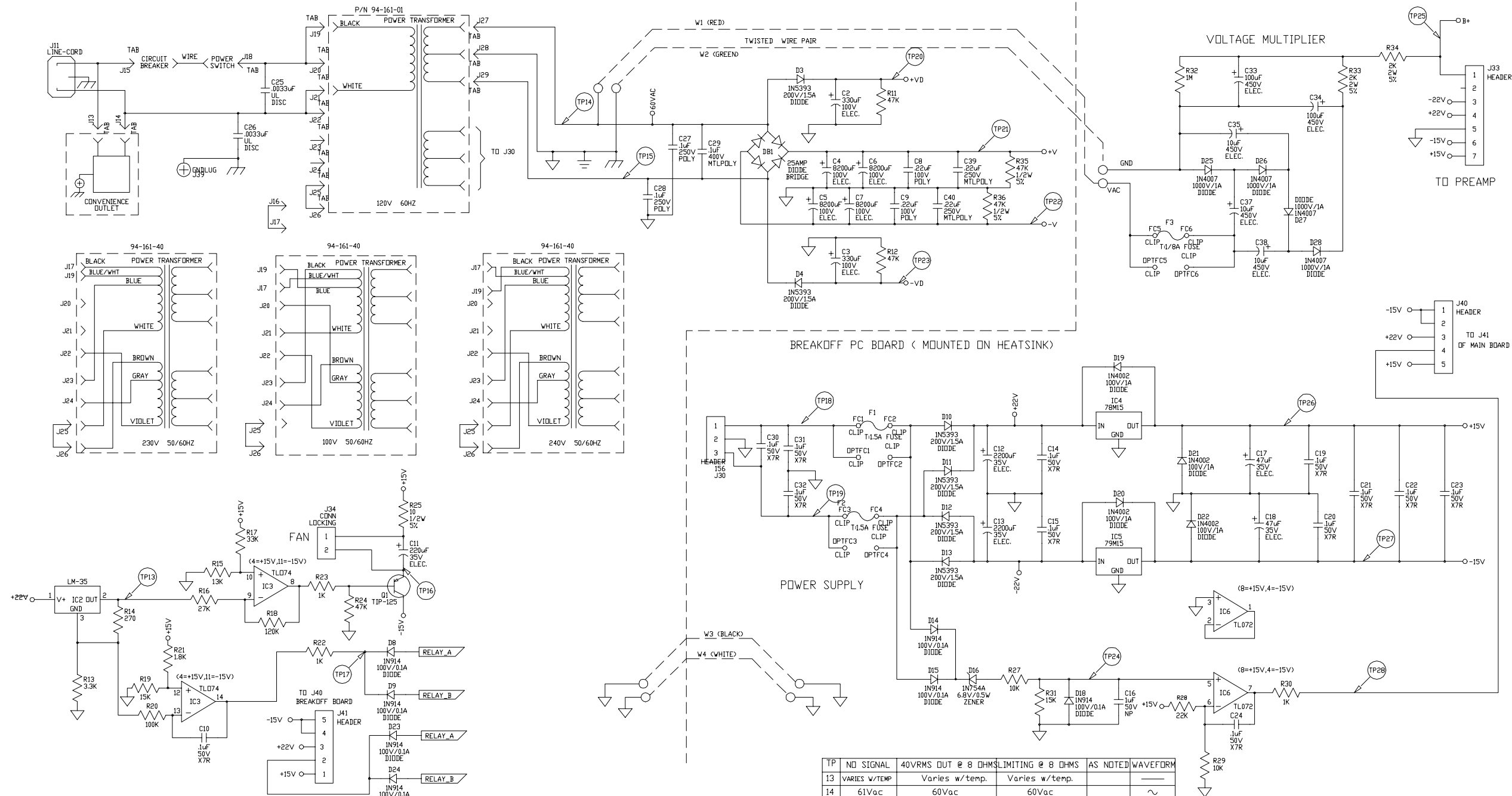


BIAS ADJUSTMENT: WITH NO SIGNAL AND NO LOAD  
 ADJUST AP101 TO OBTAIN AN AVERAGE OF 25. + 5mV ACROSS R139, 140, R146, 147, 152, 153, 158, 159, 164, 165.  
 ADJUST AP201 TO OBTAIN AN AVERAGE OF 25. + 5mV ACROSS R239, 240, R246, 247, 252, 253, 258, 259, 264, 265.

- NOTES**
- 1) CAUTION: SHOCK HAZARD!! THIS UNIT CONTAINS HAZARDOUS VOLTAGE. DISCONNECT POWER AND BE SURE POWER SUPPLY IS DISCHARGED BEFORE TOUCHING INTERNAL PARTS.
  - 2) UNLESS NOTED, RESISTOR VALUES IN OHMS, 1/4W-5% TOL. CAPACITOR VALUES IN MICROFARADS, 50V-10% TOL.
  - 3) VOLTAGES ARE MEASURED WITH 1 MEGOHM OSCILLOSCOPE AND 10 MEGOHM DIGITAL VOLTMETER.
  - 4) CHASSIS GROUND ⚡ SIGNAL GROUND ⚡ CIRCUIT GROUND ⚡

CAUTION: THIS SCHEMATIC IS PROVIDED FOR USE BY QUALIFIED PERSONNEL. TO AVOID RISK OF ELECTRICAL SHOCK, REFER SERVICING TO QUALIFIED SERVICE PERSONNEL. DO NOT PERFORM ANY SERVICING BEYOND THAT IN THE OPERATING INSTRUCTIONS.

REV.	DATE	DESCRIPTION	ECR/ECN NO.	CHNG'D BY	APPR'D BY	DATE
0		SEE SHT 1 FOR REV HISTORY				
THE INFORMATION CONTAINED ON THIS DRAWING IS PROPRIETARY TO ST. LOUIS MUSIC, INC.						
SIGNATURES:		DATE:		11880 Berman Dr. St. Louis, Missouri 63146		
DRAWN: REM		9/29/99		FIRST USED ON:		
CHK'D:				SVT-4 PRO		
RLS'D:				DRAWING TITLE:		
DRAWING SIZE: D		DRAWING TYPE:		PWR AMP SCH		
DRAWING TITLE:		CLASS CODE:		DRAWING NO:		
SCALE: NONE		SHEET: 2 OF 3		07S428-XX		



**NOTES**

- 1) CAUTION: SHOCK HAZARD!! THIS UNIT CONTAINS HAZARDOUS VOLTAGE. DISCONNECT POWER AND BE SURE POWER SUPPLY IS DISCHARGED BEFORE TOUCHING INTERNAL PARTS.
- 2) UNLESS NOTED, RESISTOR VALUES IN OHMS, 1/4W-5% TOL. CAPACITOR VALUES IN MICROFARADS, 50V-10% TOL.
- 3) VOLTAGES ARE MEASURED WITH 1 MEGOHM OSCILLOSCOPE AND 10 MEGOHM DIGITAL VOLTMETER.
- 4) CHASSIS GROUND  $\perp$  SIGNAL GROUND  $\nabla$  CIRCUIT GROUND  $\oplus$
- 5) 94-161-30 DID NOT HAVE EXTRA BLU/WHT PRIMARY XFMR LEAD.

**CAUTION:**

THIS SCHEMATIC IS PROVIDED FOR USE BY QUALIFIED PERSONNEL. TO AVOID RISK OF ELECTRICAL SHOCK, REFER SERVICING TO QUALIFIED SERVICE PERSONNEL. DO NOT PERFORM ANY SERVICING BEYOND THAT IN THE OPERATING INSTRUCTIONS.

TP	NO SIGNAL	40VRMS OUT @ 8 OHMS LIMITING @ 8 OHMS	AS NOTED	WAVEFORM
13	VARIES W/TEMP	Varies w/temp.	Varies w/temp.	---
14	61Vac	60Vac	60Vac	~
15	61Vac	60Vac	60Vac	~
16	+14Vdc	-4.6Vdc	-4.6Vdc	~
17	+14.4Vdc	+14.4Vdc	+14.4Vdc	~
18	20Vac	19Vac	19Vac	~
19	20Vac	19Vac	19Vac	~
20	+82Vdc	+76.3Vdc	+76.3Vdc	~
21	+83Vdc	+76Vdc	+76Vdc	~
22	-83Vdc	-76Vdc	-76Vdc	~
23	-82Vdc	-76.3Vdc	-76.3Vdc	~
24	+6Vdc	+5.73Vdc	+5.73Vdc	~
25	+288Vdc	+267.7Vdc	+266Vdc	~
26	+15Vdc	+15Vdc	+15Vdc	~
27	-15Vdc	-15Vdc	-15Vdc	~
28	+14.3Vdc	+14.3Vdc	+14.3Vdc	~

9	SEE SHT 1 FOR REV HISTORY					
REV:	DATE:	DESCRIPTION:	ECR/ECN NO:	CHNG'D BY:	APPR'D BY:	DATE:
THE INFORMATION CONTAINED ON THIS DRAWING IS PROPRIETARY TO ST. LOUIS MUSIC, INC.						
SIGNATURES:		DATE:		11880 Borman Dr. St. Louis, Missouri 63146		
DRAWN:	REM	9/29/99		SVT-4 PRO		
CHK'D:				DRAWING TITLE:		
RLS'D:				PWR AMP SCH		
TOLERANCES:	DRAWING SIZE:	D		DRAWING NO:		
	DRAWING TYPE:			CLASS CODE:		
	SCALE:	NONE		DRAWING NO:		
	SHEET:	3 OF 3		07S428-XX		