

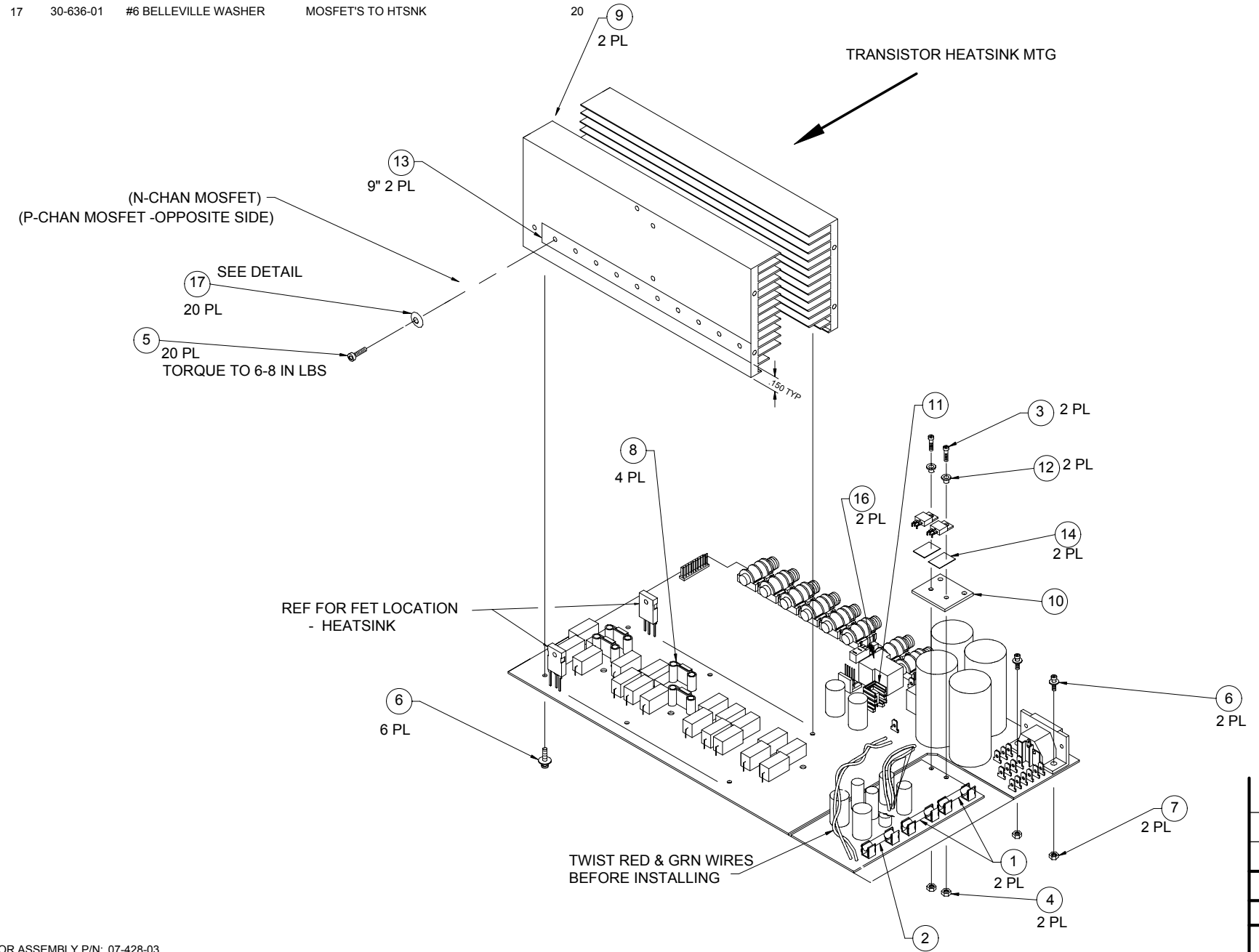
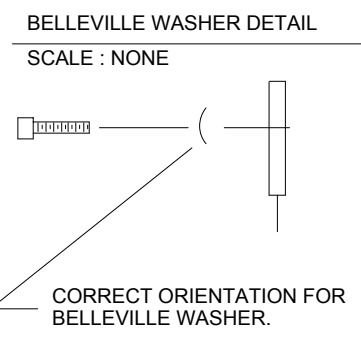
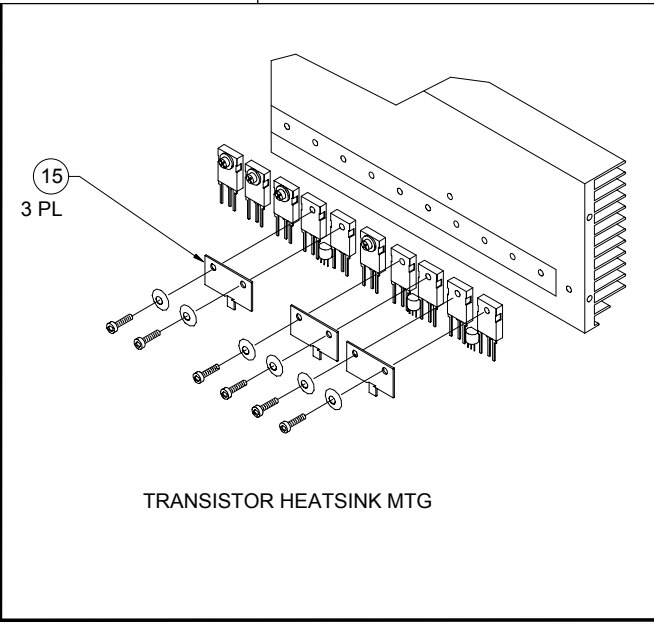
FOR ASSEMBLY P/N: 07-428-03  
USE SCHEMATIC # 07S428-XX

NOTES:  
1. GOOP IN ACCORDANCE WITH PRODUCTION S.O.P.

CAUTION:  
THIS ASSEMBLY DRAWING IS PROVIDED FOR USE BY QUALIFIED PERSONNEL.  
TO AVOID RISK OF ELECTRIC SHOCK, REFER SERVICING TO QUALIFIED SERVICE PERSONNEL.  
DO NOT PERFORM ANY SERVICING BEYOND THAT EXPLAINED IN THE OPERATING INSTRUCTIONS.

0	04/01/03	SUPERCEDES 07P428-XX	N01200	WFB		
REV	Date	DESCRIPTION	Ecr(s)/Ecn(s)	Chgd By	Appvd by	Date
THE INFORMATION CONTAINED ON THIS DRAWING IS PROPRIETARY TO ST. LOUIS MUSIC, INC						
Signatures:		Date:		 11880 Borman Drive, St. Louis, MO 63146		
Drawn: WFB		03/31/03				
Checked:				First Used On:		
Released:				Drawing Title:		
Plot Date: Fri May 23, 2003		Drawing Size: C		1600 WATT POWER AMP		
Plot Time: 08:11:19		Drawing Type: ASSEMBLY		Drawing Number:		
Tolerance:		Class Code: NONE		07-428		
		Sheet 1 of 2				

ITEM	PART NO.	DESCRIPTION	WHERE USED	QTY.
1	23-308-05	1.5A SB FUSE		2
2	23-313-05	1/8A SB FUSE		1
3	30-408-52	4-40 X 1/2 PPHD M/S	TO-220'S TO HTSNK BRKT	2
4	30-442-52	4-40 A.F. HEX KEP ASSY	TO-220'S TO HTSNK BRKT	2
5	30-443-02	4-40 X 1/2 CAP HD SCREW	MOSFET'S TO HTSNK	20
6	30-638-53	6-32 X 3/8 PPH MS SEMS	AC CNCTR TO BRD, HTSNKS TO BRD	8
7	30-700-01	6-32 HEX KEPNUT ASSY	AC CNCTR TO BRD	2
8	33-004-01	HEATSINK CLIP		4
9	33-405-01	SVT-4PRO HEATSINK	HTSNK FOR ASSY	2
10	33-428-02	HEATSINK BRKT		1
11	33-576-01	TO-220 CLIP-ON AAVID		1
12	35-043-01	NYLON BUSHING NATURAL	TO-220'S TO HTSNK BRKT	2
13	35-570-02	BERQUIST SP-1500 1" ROLL		18"
14	35-575-01	BERQUIST K10-58		2
15	51-428-01	XSTR HEATSKINK CLAMP		3
16	68-602-01	RELAY DUST COVER T90		2
17	30-636-01	#6 BELLEVILLE WASHER	MOSFET'S TO HTSNK	20



FOR ASSEMBLY P/N: 07-428-03  
USE SCHEMATIC # 07S428-XX

NOTES:  
1. GOOP IN ACCORDANCE WITH PRODUCTION S.O.P.

CAUTION:  
THIS ASSEMBLY DRAWING IS PROVIDED FOR USE BY QUALIFIED PERSONNEL.  
TO AVOID RISK OF ELECTRIC SHOCK, REFER SERVICING TO QUALIFIED SERVICE PERSONNEL.  
DO NOT PERFORM ANY SERVICING BEYOND THAT EXPLAINED IN THE OPERATING INSTRUCTIONS.

0	04/01/03	SUPERCEDES 07P428-XX	N01200	WFB		
REV	Date	DESCRIPTION	Ecr(s)/Ecn(s)	Chgd By	Appvd by	Date
THE INFORMATION CONTAINED ON THIS DRAWING IS PROPRIETARY TO ST. LOUIS MUSIC, INC.						
Signatures:		Date:		 11880 Borman Drive, St. Louis, MO 63146		
Drawn: WFB		03/31/03		First Used On:		
Checked:				Drawing Title:		
Released:				1600 WATT POWER AMP		
Plot Date: Fri May 23, 2003		Drawing Size: C		Drawing Number:		
Plot Time: 08:12:51		Drawing Type: ASSEMBLY		07-428		
Tolerance:		Class Code: NONE		Sheet 2 of 2		