

CAUTION:
 THIS SCHEMATIC IS PROVIDED FOR USE BY QUALIFIED PERSONNEL.
 TO AVOID RISK OF ELECTRIC SHOCK, REFER SERVICING TO QUALIFIED
 SERVICE PERSONNEL. DO NOT PERFORM ANY SERVICING BEYOND
 THAT EXPLAINED IN THE OPERATING INSTRUCTIONS.

- NOTES:**
- 1) CAUTION: SHOCK HAZARD!!
 THIS UNIT CONTAINS HAZARDOUS VOLTAGE. DISCONNECT POWER
 AND BE SURE POWER SUPPLY IS DISCHARGED BEFORE
 TOUCHING INTERNAL PARTS.
 - 2) UNLESS NOTED, RESISTOR VALUES IN OHMS, 1/4W-5% TOL.
 CAPACITOR VALUES IN MICROFARADS, 50V-10% TOL.
 - 3) VOLTAGES ARE MEASURED WITH 1 MEGOHM OSCILLOSCOPE
 AND 10 MEGOHM DIGITAL VOLTMETER.

1	3/12/03	TO -03 VERSION	N01200	WFB		
REV	Date	DESCRIPTION	Ecr(s)/Ecn(s)	Chgd By	Appvd by	Date
THE INFORMATION CONTAINED ON THIS DRAWING IS PROPRIETARY TO ST. LOUIS MUSIC, INC						
Signatures:			Date:			
Drawn: WFB			03/16/01			
Checked:			First Used On:			
Released:			Drawing Title:			
Plot Date: Fri May 23, 2003		Drawing Size: C		Drawing Number:		
Plot Time: 07:54:08		Drawing Type: Schematic		1600W POWER AMP		
Tolerance:		Class Code: NONE		Drawing Number:		
		Sheet 1 of 3		07S428		

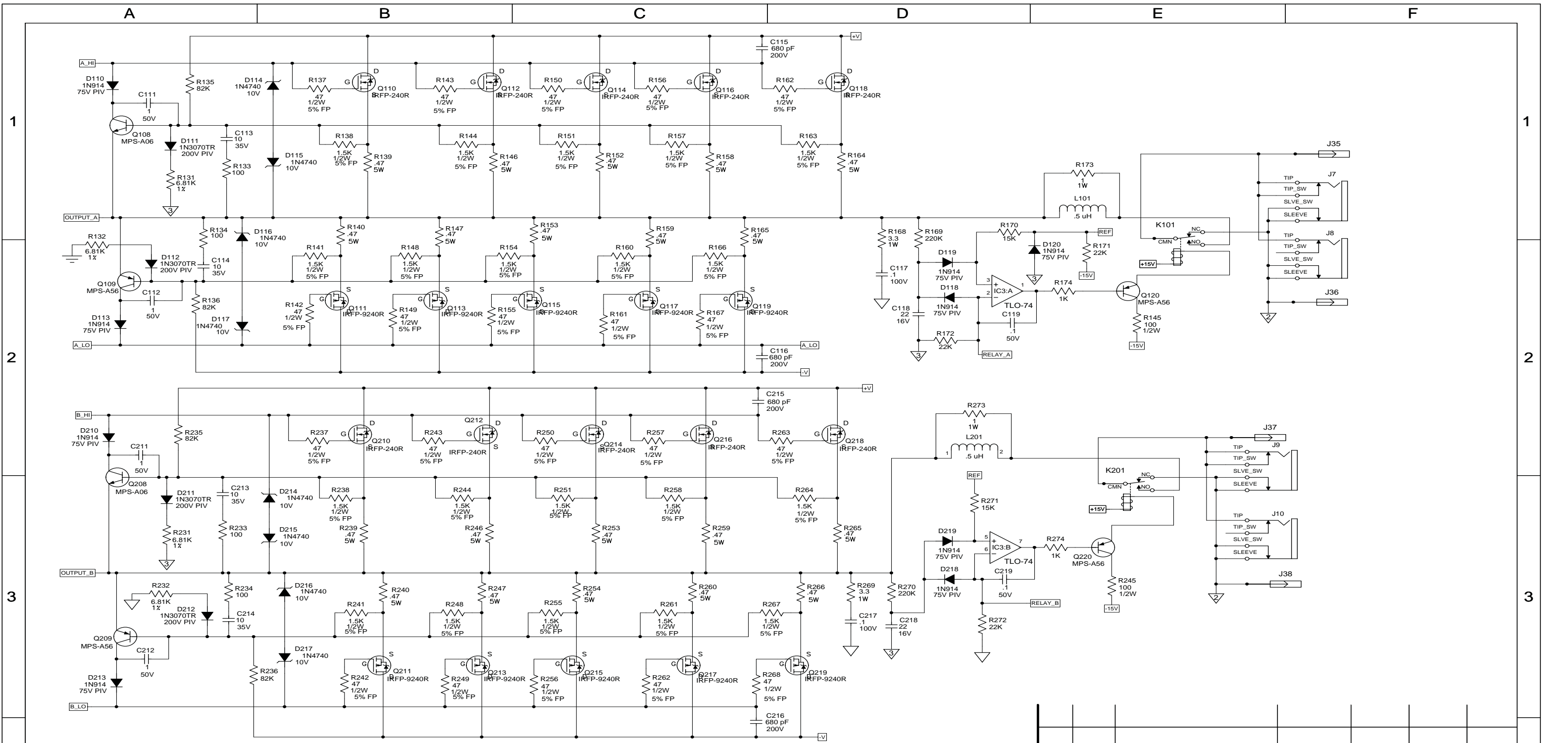


SVT-4PROd

©2007 LOUD Technologies Inc. All rights reserved

1600 Watt Power Amp PCB Schematics

PAGE 1



CAUTION:
 THIS SCHEMATIC IS PROVIDED FOR USE BY QUALIFIED PERSONNEL TO AVOID RISK OF ELECTRIC SHOCK, REFER SERVICING TO QUALIFIED SERVICE PERSONNEL. DO NOT PERFORM ANY SERVICING BEYOND THAT EXPLAINED IN THE OPERATING INSTRUCTIONS.

- NOTES:**
- 1) CAUTION: SHOCK HAZARD!! THIS UNIT CONTAINS HAZARDOUS VOLTAGE. DISCONNECT POWER AND BE SURE POWER SUPPLY IS DISCHARGED BEFORE TOUCHING INTERNAL PARTS.
 - 2) UNLESS NOTED, RESISTOR VALUES IN OHMS, 1/4W-5% TOL. CAPACITOR VALUES IN MICROFARADS, 50V-10% TOL.
 - 3) VOLTAGES ARE MEASURED WITH 1 MEGOHM OSCILLOSCOPE AND 10 MEGOHM DIGITAL VOLTMETER.

1	3/12/03	TO -03 VERSION	N01200	WFB		
REV	Date	DESCRIPTION	Ecr(s)/Ecn(s)	Chgd By	Appvd by	Date
THE INFORMATION CONTAINED ON THIS DRAWING IS PROPRIETARY TO ST. LOUIS MUSIC, INC.						
Signatures:			Date:			
Drawn: WFB			03/16/01			
Checked:			First Used On:			
Released:			Drawing Title:			
Plot Date: Fri May 23, 2003		Drawing Size: C		1600W POWER AMP		
Plot Time: 07:54:08		Drawing Type: Schematic		Drawing Number:		
Tolerance:			Class Code: NONE		07S428	
			Sheet 2 of 3			

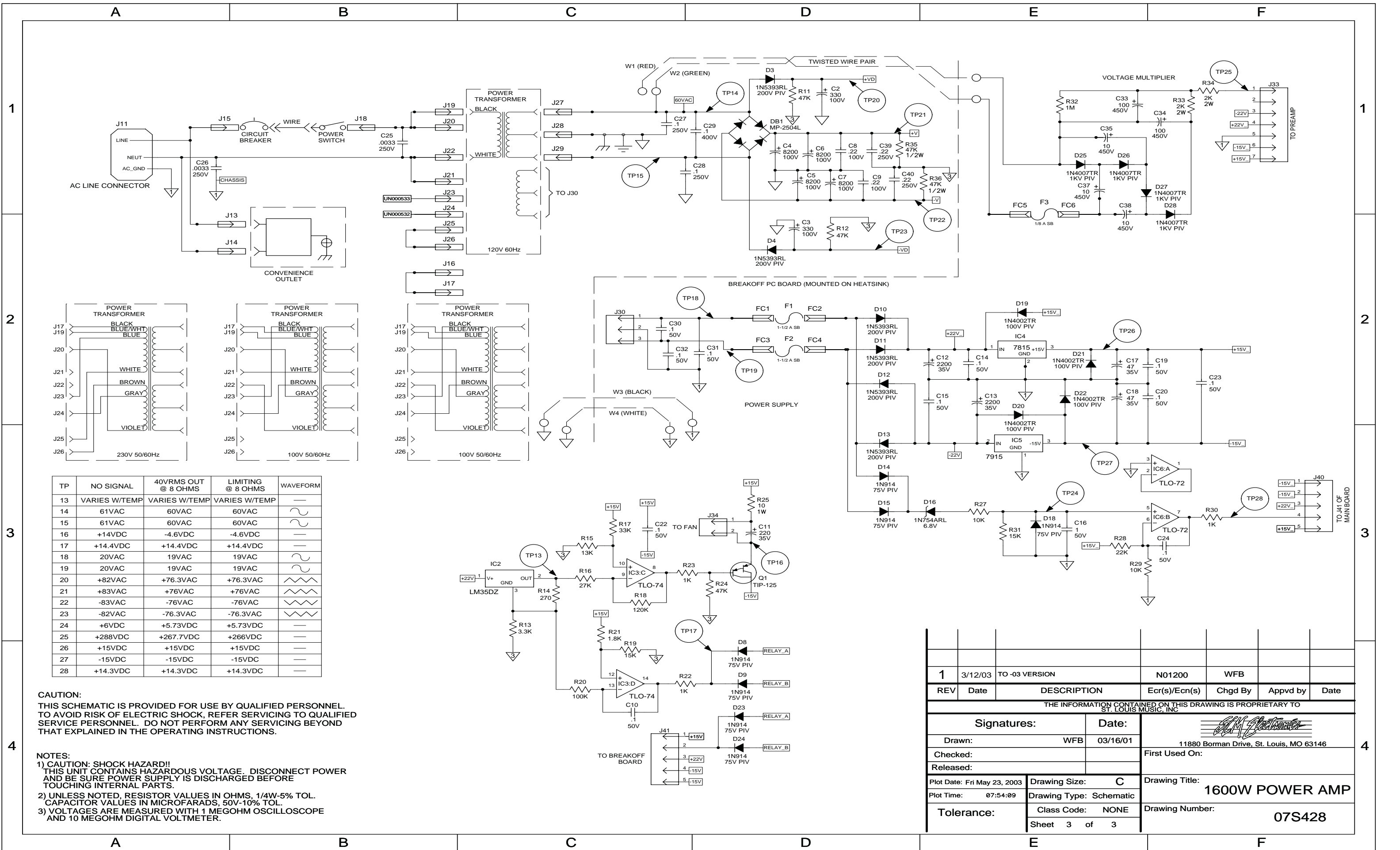


SVT-4PROd

©2007 LOUD Technologies Inc. All rights reserved

1600 Watt Power Amp PCB Schematics

PAGE 2



TP	NO SIGNAL	40VRMS OUT @ 8 OHMS	LIMITING @ 8 OHMS	WAVEFORM
13	VARIES W/TEMP	VARIES W/TEMP	VARIES W/TEMP	—
14	61VAC	60VAC	60VAC	~
15	61VAC	60VAC	60VAC	~
16	+14VDC	-4.6VDC	-4.6VDC	—
17	+14.4VDC	+14.4VDC	+14.4VDC	—
18	20VAC	19VAC	19VAC	~
19	20VAC	19VAC	19VAC	~
20	+82VAC	+76.3VAC	+76.3VAC	~
21	+83VAC	+76VAC	+76VAC	~
22	-83VAC	-76VAC	-76VAC	~
23	-82VAC	-76.3VAC	-76.3VAC	~
24	+6VDC	+5.73VDC	+5.73VDC	—
25	+288VDC	+267.7VDC	+266VDC	—
26	+15VDC	+15VDC	+15VDC	—
27	-15VDC	-15VDC	-15VDC	—
28	+14.3VDC	+14.3VDC	+14.3VDC	—

CAUTION:
 THIS SCHEMATIC IS PROVIDED FOR USE BY QUALIFIED PERSONNEL TO AVOID RISK OF ELECTRIC SHOCK, REFER SERVICING TO QUALIFIED SERVICE PERSONNEL. DO NOT PERFORM ANY SERVICING BEYOND THAT EXPLAINED IN THE OPERATING INSTRUCTIONS.

NOTES:
 1) CAUTION: SHOCK HAZARD!! THIS UNIT CONTAINS HAZARDOUS VOLTAGE. DISCONNECT POWER AND BE SURE POWER SUPPLY IS DISCHARGED BEFORE TOUCHING INTERNAL PARTS.
 2) UNLESS NOTED, RESISTOR VALUES IN OHMS, 1/4W-5% TOL. CAPACITOR VALUES IN MICROFARADS, 50V-10% TOL.
 3) VOLTAGES ARE MEASURED WITH 1 MEGOHM OSCILLOSCOPE AND 10 MEGOHM DIGITAL VOLTMETER.

1	3/12/03	TO -03 VERSION	N01200	WFB		
REV	Date	DESCRIPTION	Ecr(s)/Ecn(s)	Chgd By	Appvd by	Date
THE INFORMATION CONTAINED ON THIS DRAWING IS PROPRIETARY TO ST. LOUIS MUSIC, INC.						
Signatures:			Date:			
Drawn: WFB			03/16/01			
Checked:			First Used On:			
Released:			11880 Borman Drive, St. Louis, MO 63146			
Plot Date: Fri May 23, 2003		Drawing Size: C		Drawing Title:		
Plot Time: 07:54:09		Drawing Type: Schematic		1600W POWER AMP		
Tolerance:		Class Code: NONE		Drawing Number:		
Sheet 3 of 3				07S428		



SVT-4PROd

©2007 LOUD Technologies Inc. All rights reserved

1600 Watt Power Amp PCB Schematics

PAGE 3