

A

B

C

D

1

1

2

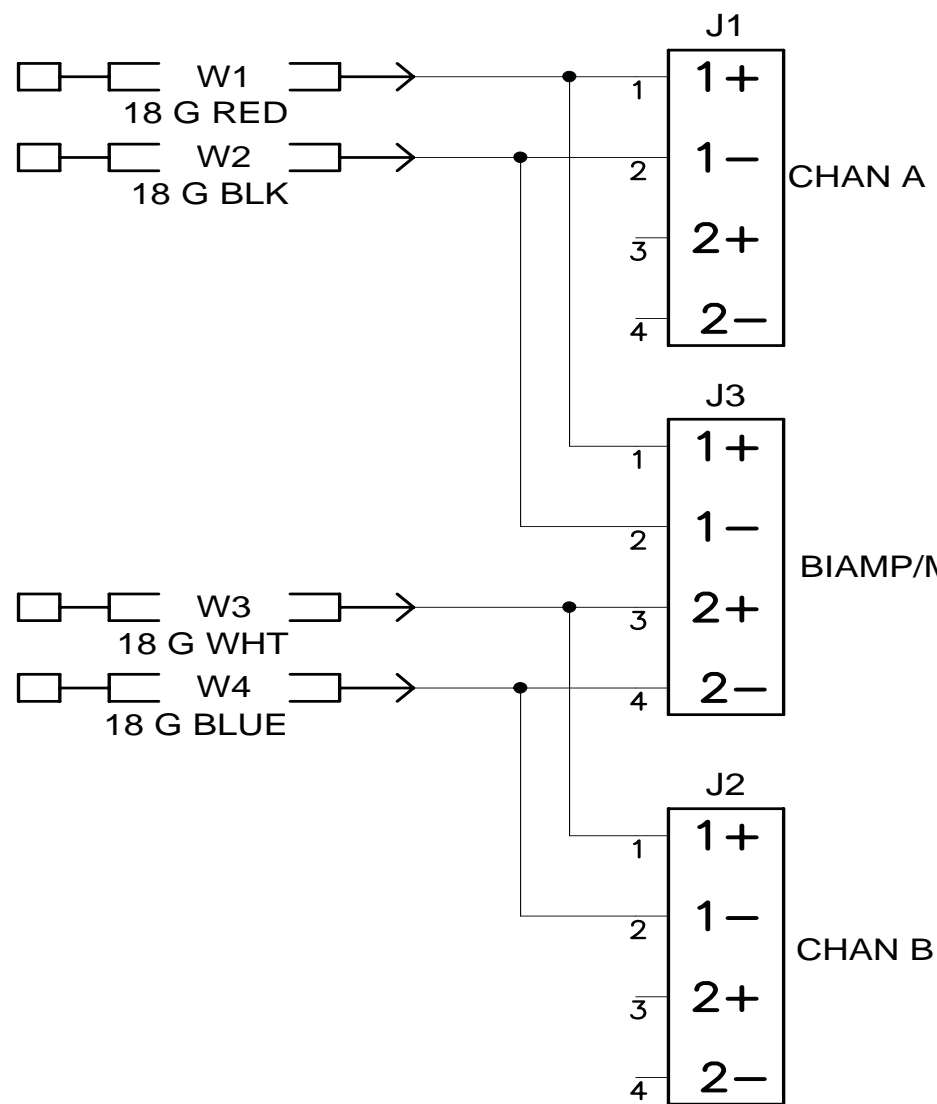
2

3

3

4


4



**THIS DRAWING SUPERSEDES
DRAWING 07H762-01**

CAUTION:
THIS SCHEMATIC IS PROVIDED FOR USE BY QUALIFIED PERSONNEL.
TO AVOID RISK OF ELECTRIC SHOCK, REFER SERVICING TO QUALIFIED
SERVICE PERSONNEL. DO NOT PERFORM ANY SERVICING BEYOND
THAT EXPLAINED IN THE OPERATING INSTRUCTIONS.

- NOTES:**
- 1) CAUTION: SHOCK HAZARD!!
THIS UNIT CONTAINS HAZARDOUS VOLTAGE. DISCONNECT POWER
AND BE SURE POWER SUPPLY IS DISCHARGED BEFORE
TOUCHING INTERNAL PARTS.
 - 2) UNLESS NOTED, RESISTOR VALUES IN OHMS, 1/4W-5% TOL.
CAPACITOR VALUES IN MICROFARADS, 50V-10% TOL.
 - 3) VOLTAGES ARE MEASURED WITH 1 MEGOHM OSCILLOSCOPE
AND 10 MEGOHM DIGITAL VOLTMETER.

REV	Date	DESCRIPTION	Ecr(s)/Ecn(s)	Chgd By	Appvd by	Date
0	3-14-05	CONTROL ISSUE CREATED PCAD2000 FILE FROM AUTOCAD				
THE INFORMATION CONTAINED ON THIS DRAWING IS PROPRIETARY TO ST. LOUIS MUSIC, INC						
Signatures:			Date:		 1901 Congressional, St. Louis, MO 63146	
Drawn: RLB		3-14-05				
Checked:						
Released:				First Used On:		
Plot Date: Mon Mar 14, 2005		Drawing Size: A		Drawing Title: SPEAKON JACK		
Plot Time: 13:27:11		Drawing Type: Schematic		Drawing Number: 07S762		
Tolerance:		Class Code: NONE		Sheet 1 of 1		

A

B

C

D