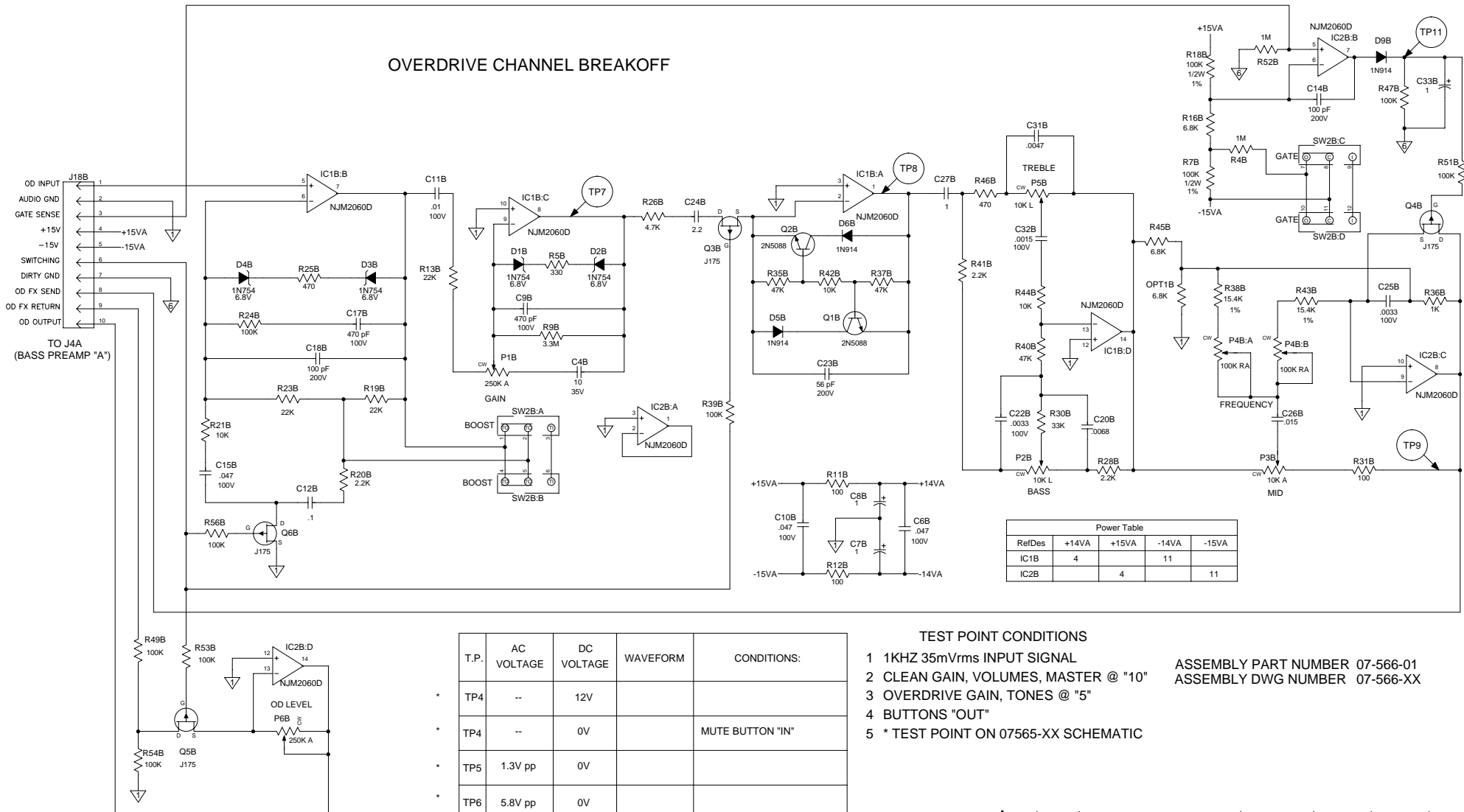


OVERDRIVE CHANNEL BREAKOFF



Power Table				
RefDes	+14VA	+15VA	-14VA	-15VA
IC1B	4		11	
IC2B		4		11

T.P.	AC VOLTAGE	DC VOLTAGE	WAVEFORM	CONDITIONS:
TP4	--	12V		
TP4	--	0V		MUTE BUTTON "IN"
TP5	1.3V pp	0V		
TP6	5.8V pp	0V		
TP7	.09V pp	0V		
TP7	.8V pp	0V		BOOST BUTTON "IN"
TP9	.3V pp	0V		
TP10	2.4V pp	0V		CHAN. SELECT BUTTON "IN"
TP11	--	14V		
TP11	--	0V		GATE BUTTON "IN" W/O SIGNAL

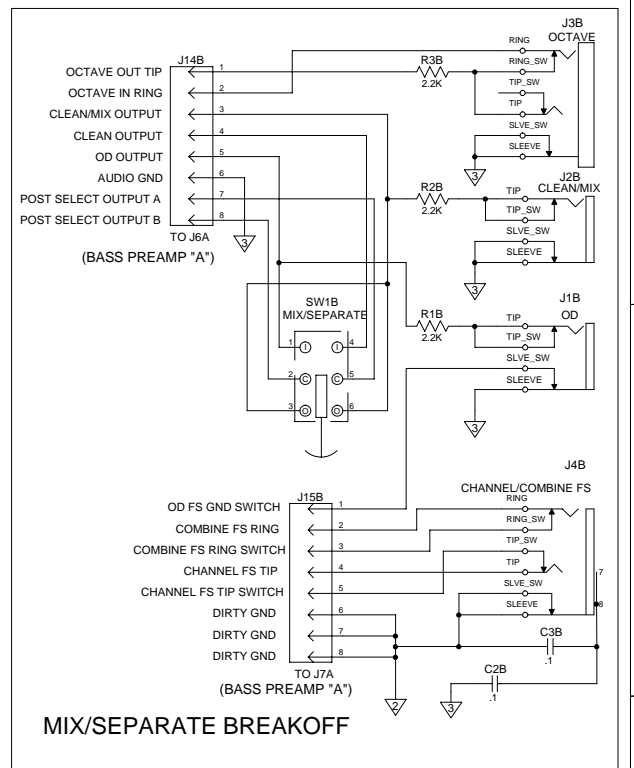
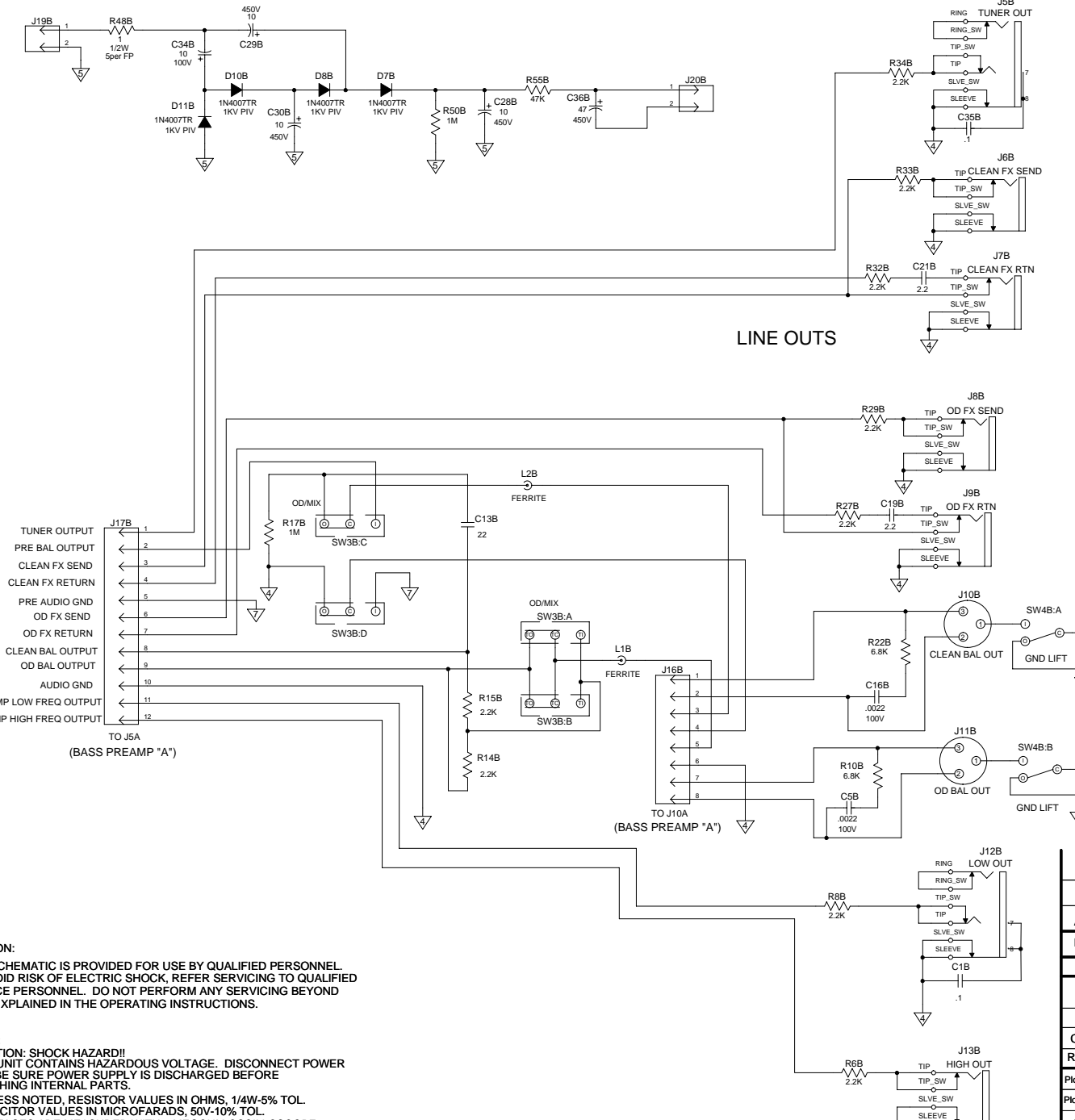
- TEST POINT CONDITIONS**
- 1 KHZ 35mVrms INPUT SIGNAL
 - CLEAN GAIN, VOLUMES, MASTER @ "10"
 - OVERDRIVE GAIN, TONES @ "5"
 - BUTTONS "OUT"
 - * TEST POINT ON 07565-XX SCHEMATIC

ASSEMBLY PART NUMBER 07-566-01
ASSEMBLY DWG NUMBER 07-566-XX

CAUTION:
THIS SCHEMATIC IS PROVIDED FOR USE BY QUALIFIED PERSONNEL. TO AVOID RISK OF ELECTRIC SHOCK, REFER SERVICING TO QUALIFIED SERVICE PERSONNEL. DO NOT PERFORM ANY SERVICING BEYOND THAT EXPLAINED IN THE OPERATING INSTRUCTIONS.

- NOTES:**
- 1) CAUTION: SHOCK HAZARD!! THIS UNIT CONTAINS HAZARDOUS VOLTAGE. DISCONNECT POWER AND BE SURE POWER SUPPLY IS DISCHARGED BEFORE TOUCHING INTERNAL PARTS.
 - 2) UNLESS NOTED, RESISTOR VALUES IN OHMS, 1/4W-5% TOL. CAPACITOR VALUES IN MICROFARADS, 50V-10% TOL.
 - 3) VOLTAGES ARE MEASURED WITH 1 MEGOHM OSCILLOSCOPE AND 10 MEGOHM DIGITAL VOLTMETER.

0	10/31/01	CONTROL ISSUE				
A	7/26/01	INITIAL ISSUE				
REV	Date	DESCRIPTION	Ecr(s)/Ecn(s)	Chgd By	Appvd by	Date
THE INFORMATION CONTAINED ON THIS DRAWING IS PROPRIETARY TO ST. LOUIS MUSIC, INC.						
Signatures:		Date:		 11880 Borman Drive, St. Louis, MO 63146 SVT5PROa		
Drawn: WFB		5/15/01				
Checked:						
Released:						
Plot Date: Wed Oct 31, 2001		Drawing Size: C		Drawing Title: BASS PREAMP B		
Plot Time: 10:45:22		Drawing Type: Schematic		Drawing Number: 07s566-xx		
Tolerance:		Class Code: NONE		Sheet 1 of 2		



CAUTION:
 THIS SCHEMATIC IS PROVIDED FOR USE BY QUALIFIED PERSONNEL TO AVOID RISK OF ELECTRIC SHOCK. REFER SERVICING TO QUALIFIED SERVICE PERSONNEL. DO NOT PERFORM ANY SERVICING BEYOND THAT EXPLAINED IN THE OPERATING INSTRUCTIONS.

NOTES:
 1) CAUTION: SHOCK HAZARD!! THIS UNIT CONTAINS HAZARDOUS VOLTAGE. DISCONNECT POWER AND BE SURE POWER SUPPLY IS DISCHARGED BEFORE TOUCHING INTERNAL PARTS.
 2) UNLESS NOTED, RESISTOR VALUES IN OHMS, 1/4W-5% TOL. CAPACITOR VALUES IN MICROFARADS, 50V-10% TOL.
 3) VOLTAGES ARE MEASURED WITH 1 MEGOHM OSCILLOSCOPE AND 10 MEGOHM DIGITAL VOLTMETER.

0	10/31/01	CONTROL ISSUE				
A	7/26/01	INITIAL ISSUE				
REV	Date	DESCRIPTION	Ecr(s)/Ecn(s)	Chgd By	Appvd by	Date
THE INFORMATION CONTAINED ON THIS DRAWING IS PROPRIETARY TO ST. LOUIS MUSIC, INC.						
Signatures:			Date:		 11880 Borman Drive, St. Louis, MO 63146	
Drawn: WFB			5/15/01			
Checked:						
Released:						
Plot Date: Wed Oct 31, 2001		Drawing Size: C		Drawing Title: SVT5PROa		
Plot Time: 10:45:24		Drawing Type: Schematic		Drawing Number: BASS PREAMP B		
Tolerance:		Class Code: NONE		Drawing Number: 07s566-xx		
		Sheet 2 of 2				