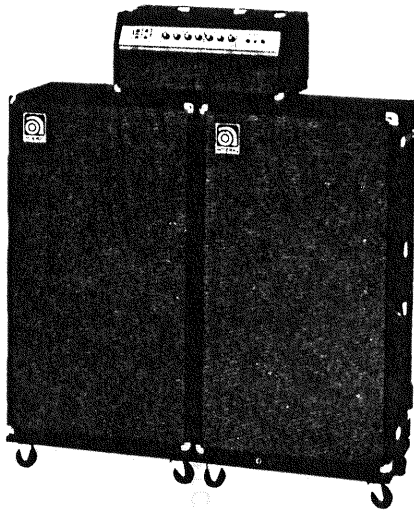


SVT



Amplifier Dimension and Shipping Weights:

Amplifier Cabinet:

23½" wide, 14" deep, 11" tall.
Shipping Weight — 85 pounds.

Speaker Cabinets:

25½" wide, 16" deep, 48" tall.
Shipping weight — (2) 210 pounds.
Covers optional.

Amplifier Performance:

300 watts RMS (over 700 watts peak music power.)

Amplifier Front Panel:

Channel 1: Bright and Normal input jacks, Volume, Treble, Bass, Selective Midrange cut or boost, Ultra Hi, 3-way Ultra Lo and Midrange Frequency Select.

Channel 2: Bright and Normal input jacks, Volume, Treble, Bass, Ultra Hi and Ultra Lo.

Power on-off, Polarity switch and indicator light.

Amplifier Rear Panel:

Standby switch, fuse post, speaker jack, (4 ohm) extension speaker jack, (4 ohm) and extension amplifier jack for tandem operation or recording.

SVT Speaker System:

Each SVT speaker enclosure has 8-10" speakers in 4 separate compartments. A total of sixteen speakers in two enclosures.

The Ampeg SVT was designed for the musician who needs concert hall levels of sound and power with consistent quality and reliability. The SVT offers unheard of power in a tube amplifier, coupled with a unique speaker complement. Big and brawny, the SVT must be seen and heard to be believed!

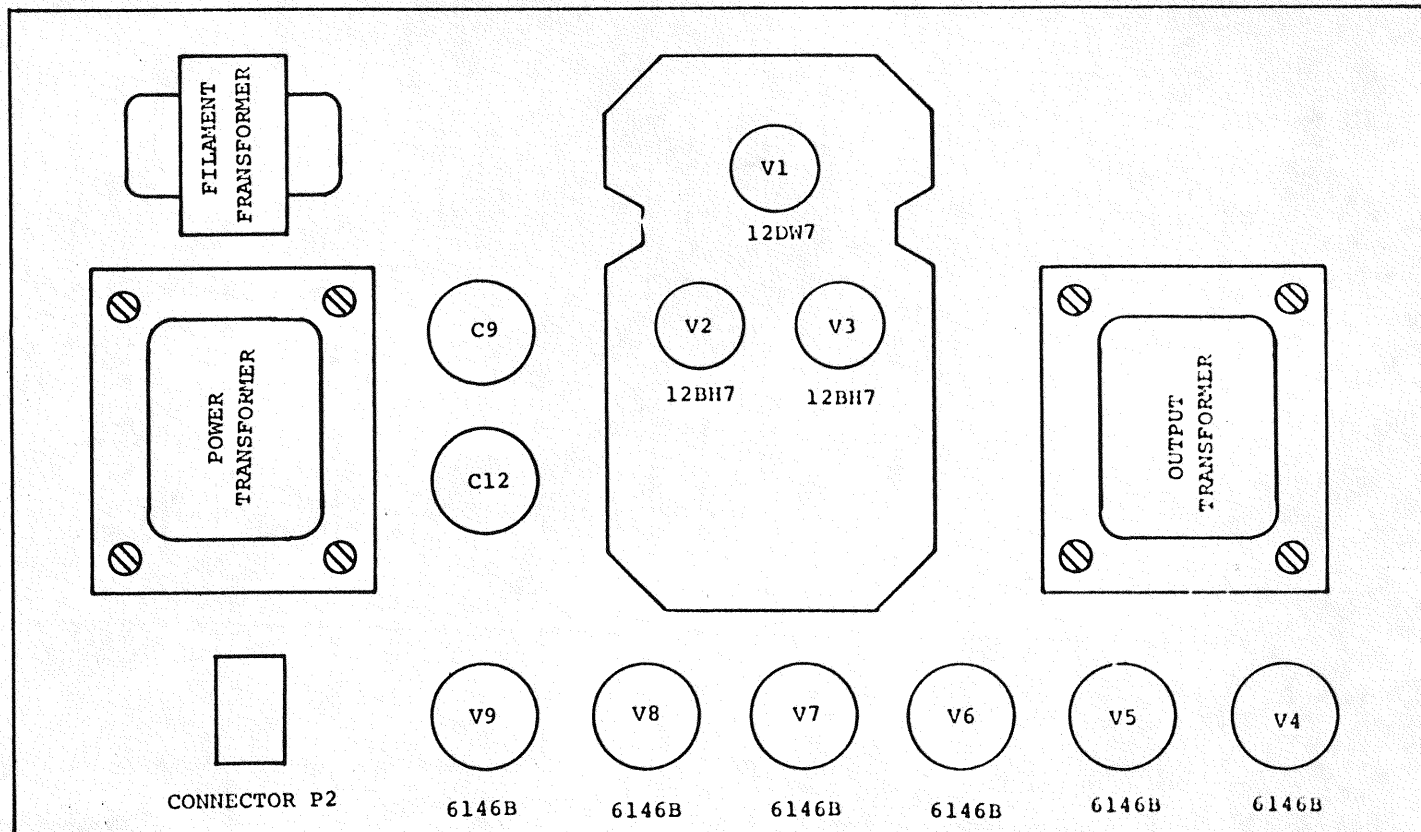
| | |
|------------------------|---|
| TRADE NAME | Model No. SVT |
| MANUFACTURER | AMPEG CO., Industrial Park, Linden, N. J. |
| TYPE SET | Audio Amplifier - Two Channels |
| TUBES | (2) 12AX7, (2) 12BH7, (3) 12DW7, (1) 6C4, (6) 6146B/8298A or (6) 6550. |
| SOLID STATE COMPONENTS | (14) Silicon Diodes |
| POWER SUPPLY | 120v A. C. 50/60 Hz, Rating 6 Amps. |
| POWER OUTPUT | 300 Watts RMS 700 Watts Peak Music Power |

SVT SERVICING AIDS

- A. BLOWS FUSES - (1) Standby Switch Off: a) Bad filament Transformer. b) Shorted A.C. wiring. c) Shorted Tube Socket Pins. (2) Standby Switch On: a) Shorted A.C. wiring after Standby Switch. b) Defective Power Transformer. c) Defective D3-D14 Diodes. d) Failure of negative bias circuit. (See that you read -47 volts at Pin #5 of 6146 Tube.) e) Defective 6146 Tube or Tubes. f) Defective Output Transformer. g) Defective Filters - C10, C12.
- B. LOSS OF POWER - (1) Weak Tubes. (2) Check all 10 ohms/5 watt Plate Resistors if any of these have open circuited, replace the associated 6146 Output Tubes. (3) Check all 22 ohms/1 watt grid Resistors. (4) Check the two 1 ohm/1 watt Cathode Resistors. (5) Defective D1 - D2. (6) Misadjustment of bias and or balance Controls. (7) Bad Plate Cap Connectors.
- C. OSCILLATION WITH CONTROLS ADVANCED (on early versions). See that the shielded cable is grounded at the P.C. Board rather than at the Input Jack Channel #2 assembly.
- D. CHECK THE TROUBLESHOOTING CHART PART #4010086 FOR MORE HINTS

CAUTION: WHEN SERVICING SPEAKER CABLE BE CAREFUL OF THE 120V A.C. ACROSS PINS 2 AND 3 OF THE CONNECTOR. THIS FEATURE IS A SAFETY AMPLIFIER INTERLOCK.

POWER AMPLIFIER CHASSIS LAYOUT



DISASSEMBLY OF SVT HEAD CABINET

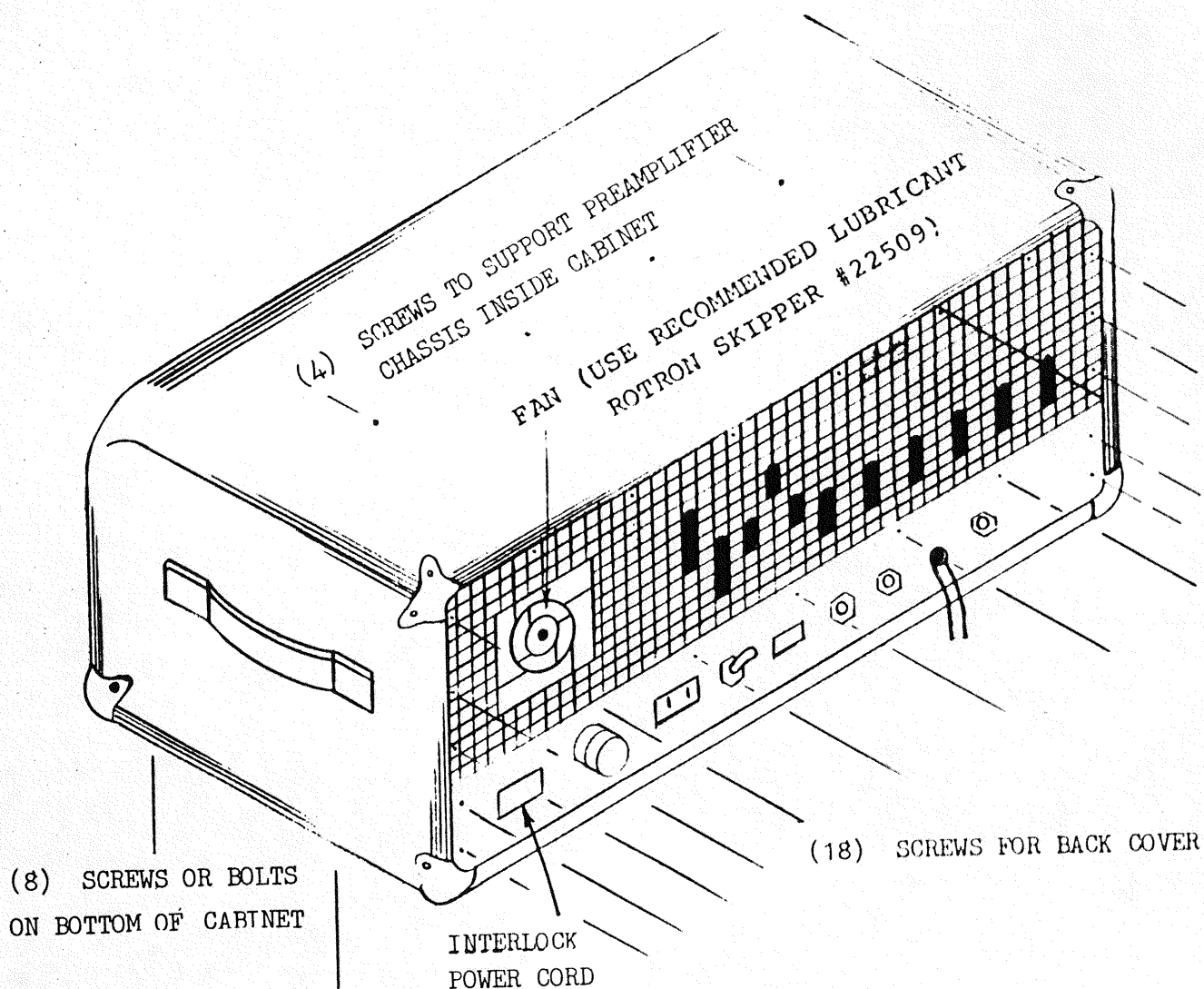
BACK PANEL a. Release perforated back panel by means of 18 screws. Then pull near the A.C. Power Cord until the Interlock is released.
b. Un-plug the fan before completely removing the back cover.

POWER CHASSIS a. Turn chassis on its side. b. Remove 8 screws or bolts from the bottom of the cabinet. c. Remove pre-amp wire harness by disconnecting plastic plug. d. Return cabinet to its normal position and remove power chassis.

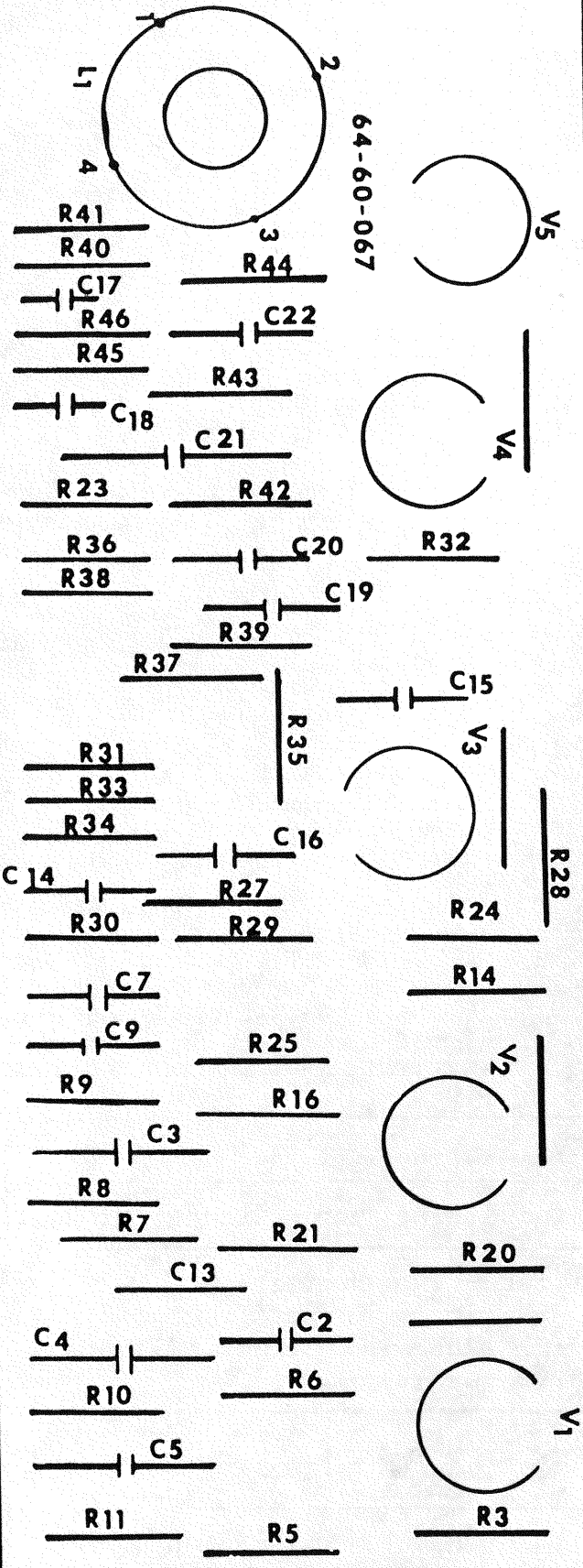
PRE-AMP a. Remove the 4 screws from the inside of head cabinet.
b. Push pre-amp forward from inside of head cabinet.

BAFFLE

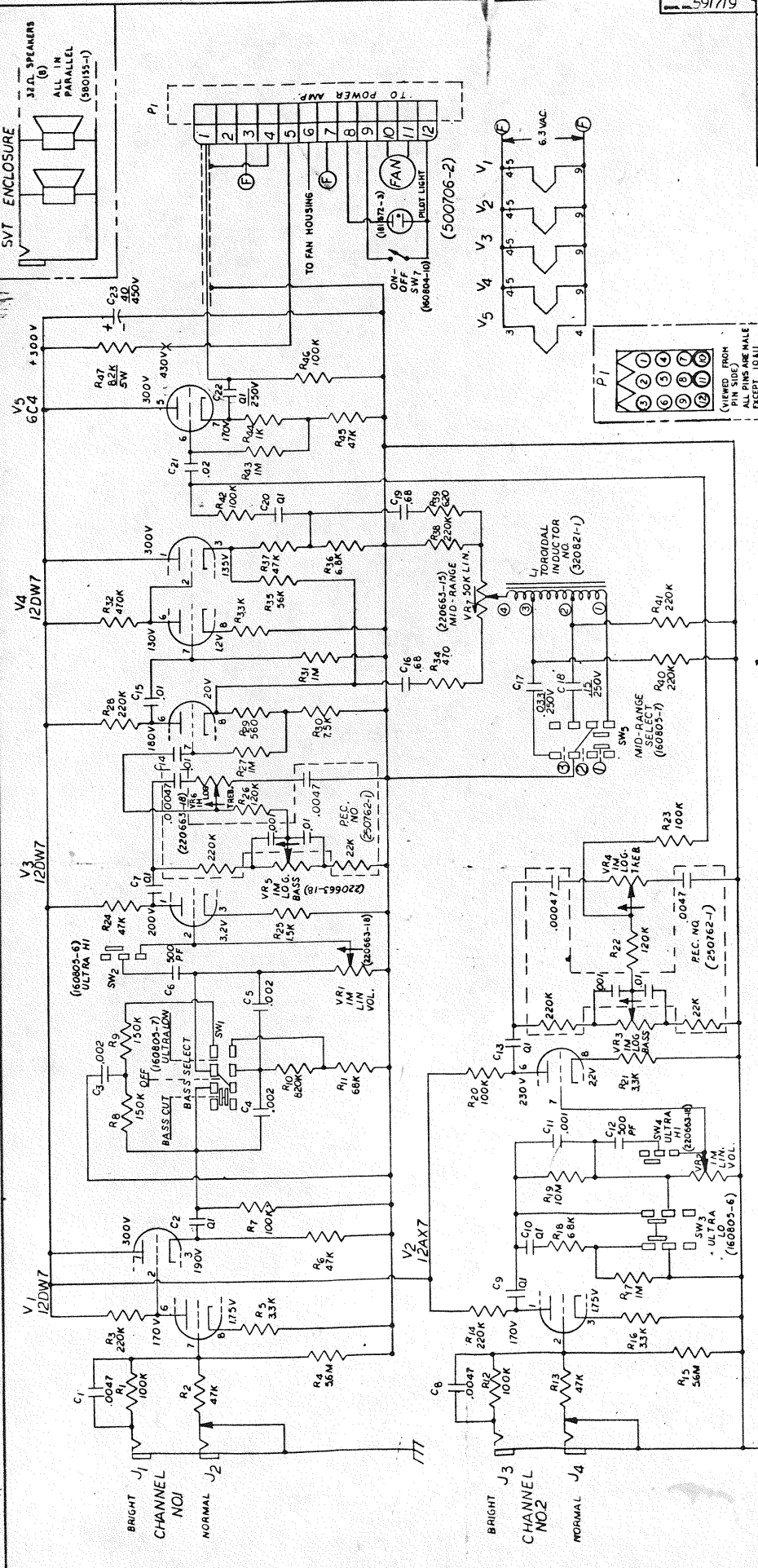
1. On older models the baffle is removable only by un-screwing the nuts from the single screws on either side of the baffle. The baffle is then removable if a slight tap is given from the inside to release the plastic head lock.
2. On new models the baffle is removable without removing the back panel. Use a long rod and tap the baffle free from the headlock retainers. Gain access from the rear of the cabinet by using the space available through the cooling fan blades. The removal of the baffle will enable the bias to be adjusted without the necessity of disassembling the entire head cabinet.



64-60-067



PICTORIAL VIEW OF PREAMP P.C. BD.
COMPONENT SIDE



| | |
|-------------|----------|
| 7 X 10 1/16 | 59179-2 |
| 7 X 10 3/16 | |
| SIZE | PART NO. |

| | |
|--|-------------|
| THE AMPEG COMPANY DIVISION OF THE MAGNAVOX COMPANY P.O. BOX 151 LAMONA, N.J. 08060 | |
| SVT PRE AMP | |
| DATE | REV. |
| 12-18-75 | 1-1 |
| DESIGNED BY | TESTED BY |
| W. J. BROWN | J. J. BROWN |
| DO NOT SCALE DRAWING | |

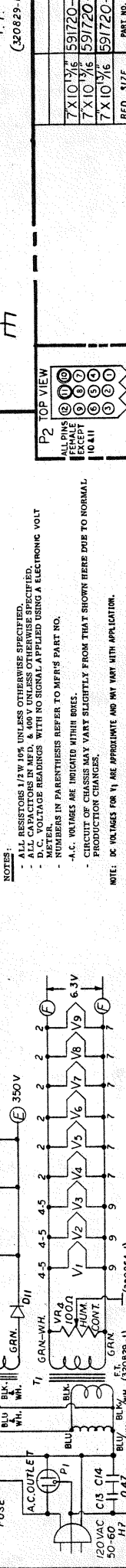
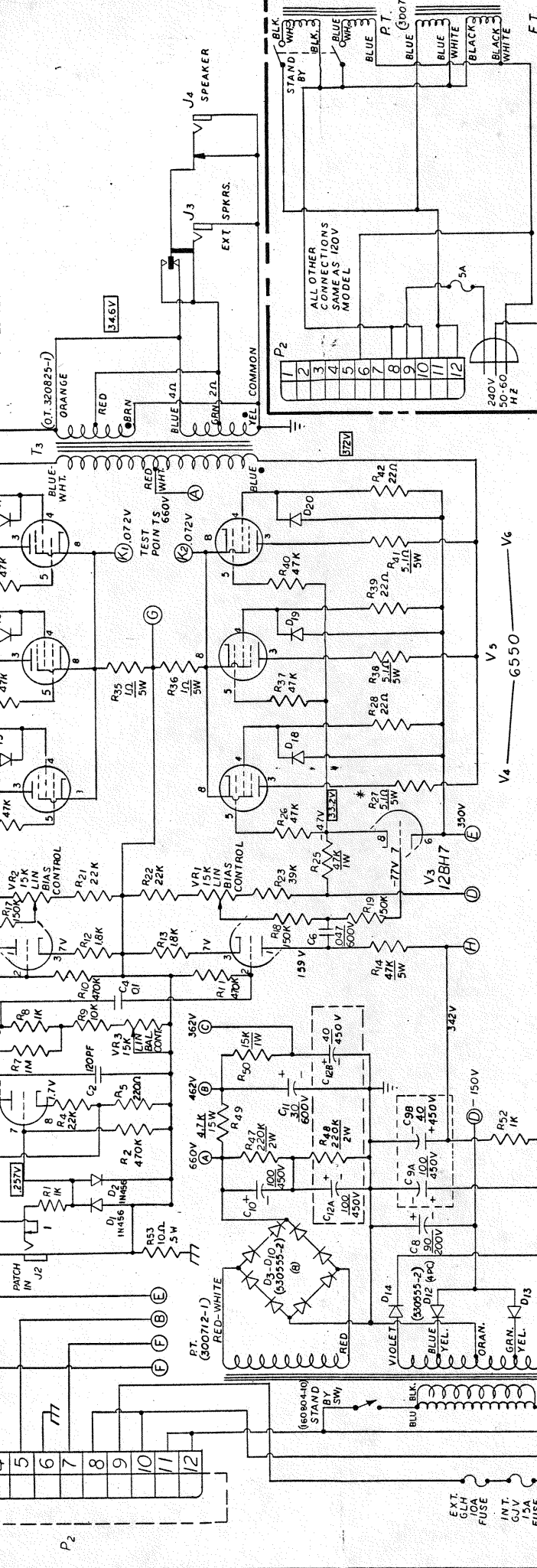
| | |
|---------------------------|---|
| ADDITIONAL SPECIFICATIONS | TOLERANCES UNLESS OTHERWISE SPECIFIED |
| | RESISTORS: 1% (UNLESS OTHERWISE SPECIFIED) |
| | CAPACITORS: 5% (UNLESS OTHERWISE SPECIFIED) |
| | ALL VOLTAGE RATINGS WITH NO SIGNAL APPLIED USING A 10,000 OHM PER VOLT VOLTMETER. |
| | NUMBERS IN PARENTHESES REFER TO MAGNAVOX PART NUMBER. |
| | REVISIONS |
| | 1. BROWN, REV. 12/18/75 |
| | 2. BROWN, REV. 12/18/75 |
| | 3. BROWN, REV. 12/18/75 |
| | 4. BROWN, REV. 12/18/75 |
| | 5. BROWN, REV. 12/18/75 |
| | 6. BROWN, REV. 12/18/75 |
| | 7. BROWN, REV. 12/18/75 |
| | 8. BROWN, REV. 12/18/75 |
| | 9. BROWN, REV. 12/18/75 |
| | 10. BROWN, REV. 12/18/75 |
| | 11. BROWN, REV. 12/18/75 |
| | 12. BROWN, REV. 12/18/75 |
| | 13. BROWN, REV. 12/18/75 |
| | 14. BROWN, REV. 12/18/75 |
| | 15. BROWN, REV. 12/18/75 |
| | 16. BROWN, REV. 12/18/75 |
| | 17. BROWN, REV. 12/18/75 |
| | 18. BROWN, REV. 12/18/75 |
| | 19. BROWN, REV. 12/18/75 |
| | 20. BROWN, REV. 12/18/75 |
| | 21. BROWN, REV. 12/18/75 |
| | 22. BROWN, REV. 12/18/75 |
| | 23. BROWN, REV. 12/18/75 |
| | 24. BROWN, REV. 12/18/75 |
| | 25. BROWN, REV. 12/18/75 |
| | 26. BROWN, REV. 12/18/75 |
| | 27. BROWN, REV. 12/18/75 |
| | 28. BROWN, REV. 12/18/75 |
| | 29. BROWN, REV. 12/18/75 |
| | 30. BROWN, REV. 12/18/75 |
| | 31. BROWN, REV. 12/18/75 |
| | 32. BROWN, REV. 12/18/75 |
| | 33. BROWN, REV. 12/18/75 |
| | 34. BROWN, REV. 12/18/75 |
| | 35. BROWN, REV. 12/18/75 |
| | 36. BROWN, REV. 12/18/75 |
| | 37. BROWN, REV. 12/18/75 |
| | 38. BROWN, REV. 12/18/75 |
| | 39. BROWN, REV. 12/18/75 |
| | 40. BROWN, REV. 12/18/75 |
| | 41. BROWN, REV. 12/18/75 |
| | 42. BROWN, REV. 12/18/75 |
| | 43. BROWN, REV. 12/18/75 |
| | 44. BROWN, REV. 12/18/75 |
| | 45. BROWN, REV. 12/18/75 |
| | 46. BROWN, REV. 12/18/75 |
| | 47. BROWN, REV. 12/18/75 |
| | 48. BROWN, REV. 12/18/75 |
| | 49. BROWN, REV. 12/18/75 |
| | 50. BROWN, REV. 12/18/75 |
| | 51. BROWN, REV. 12/18/75 |
| | 52. BROWN, REV. 12/18/75 |
| | 53. BROWN, REV. 12/18/75 |
| | 54. BROWN, REV. 12/18/75 |
| | 55. BROWN, REV. 12/18/75 |
| | 56. BROWN, REV. 12/18/75 |
| | 57. BROWN, REV. 12/18/75 |
| | 58. BROWN, REV. 12/18/75 |
| | 59. BROWN, REV. 12/18/75 |
| | 60. BROWN, REV. 12/18/75 |
| | 61. BROWN, REV. 12/18/75 |
| | 62. BROWN, REV. 12/18/75 |
| | 63. BROWN, REV. 12/18/75 |
| | 64. BROWN, REV. 12/18/75 |
| | 65. BROWN, REV. 12/18/75 |
| | 66. BROWN, REV. 12/18/75 |
| | 67. BROWN, REV. 12/18/75 |
| | 68. BROWN, REV. 12/18/75 |
| | 69. BROWN, REV. 12/18/75 |
| | 70. BROWN, REV. 12/18/75 |
| | 71. BROWN, REV. 12/18/75 |
| | 72. BROWN, REV. 12/18/75 |
| | 73. BROWN, REV. 12/18/75 |
| | 74. BROWN, REV. 12/18/75 |
| | 75. BROWN, REV. 12/18/75 |
| | 76. BROWN, REV. 12/18/75 |
| | 77. BROWN, REV. 12/18/75 |
| | 78. BROWN, REV. 12/18/75 |
| | 79. BROWN, REV. 12/18/75 |
| | 80. BROWN, REV. 12/18/75 |
| | 81. BROWN, REV. 12/18/75 |
| | 82. BROWN, REV. 12/18/75 |
| | 83. BROWN, REV. 12/18/75 |
| | 84. BROWN, REV. 12/18/75 |
| | 85. BROWN, REV. 12/18/75 |
| | 86. BROWN, REV. 12/18/75 |
| | 87. BROWN, REV. 12/18/75 |
| | 88. BROWN, REV. 12/18/75 |
| | 89. BROWN, REV. 12/18/75 |
| | 90. BROWN, REV. 12/18/75 |
| | 91. BROWN, REV. 12/18/75 |
| | 92. BROWN, REV. 12/18/75 |
| | 93. BROWN, REV. 12/18/75 |
| | 94. BROWN, REV. 12/18/75 |
| | 95. BROWN, REV. 12/18/75 |
| | 96. BROWN, REV. 12/18/75 |
| | 97. BROWN, REV. 12/18/75 |
| | 98. BROWN, REV. 12/18/75 |
| | 99. BROWN, REV. 12/18/75 |
| | 100. BROWN, REV. 12/18/75 |

NOTES - ALL RESISTORS IN OHMS UNLESS OTHERWISE SPECIFIED.
 - CAPACITORS IN MICROFARADS UNLESS OTHERWISE SPECIFIED.
 - ALL VOLTAGE RATINGS WITH NO SIGNAL APPLIED USING A 10,000 OHM PER VOLT VOLTMETER.
 - NUMBERS IN PARENTHESES REFER TO MAGNAVOX PART NUMBER.

REVISIONS
 1. BROWN, REV. 12/18/75
 2. BROWN, REV. 12/18/75
 3. BROWN, REV. 12/18/75
 4. BROWN, REV. 12/18/75
 5. BROWN, REV. 12/18/75
 6. BROWN, REV. 12/18/75
 7. BROWN, REV. 12/18/75
 8. BROWN, REV. 12/18/75
 9. BROWN, REV. 12/18/75
 10. BROWN, REV. 12/18/75
 11. BROWN, REV. 12/18/75
 12. BROWN, REV. 12/18/75
 13. BROWN, REV. 12/18/75
 14. BROWN, REV. 12/18/75
 15. BROWN, REV. 12/18/75
 16. BROWN, REV. 12/18/75
 17. BROWN, REV. 12/18/75
 18. BROWN, REV. 12/18/75
 19. BROWN, REV. 12/18/75
 20. BROWN, REV. 12/18/75
 21. BROWN, REV. 12/18/75
 22. BROWN, REV. 12/18/75
 23. BROWN, REV. 12/18/75
 24. BROWN, REV. 12/18/75
 25. BROWN, REV. 12/18/75
 26. BROWN, REV. 12/18/75
 27. BROWN, REV. 12/18/75
 28. BROWN, REV. 12/18/75
 29. BROWN, REV. 12/18/75
 30. BROWN, REV. 12/18/75
 31. BROWN, REV. 12/18/75
 32. BROWN, REV. 12/18/75
 33. BROWN, REV. 12/18/75
 34. BROWN, REV. 12/18/75
 35. BROWN, REV. 12/18/75
 36. BROWN, REV. 12/18/75
 37. BROWN, REV. 12/18/75
 38. BROWN, REV. 12/18/75
 39. BROWN, REV. 12/18/75
 40. BROWN, REV. 12/18/75
 41. BROWN, REV. 12/18/75
 42. BROWN, REV. 12/18/75
 43. BROWN, REV. 12/18/75
 44. BROWN, REV. 12/18/75
 45. BROWN, REV. 12/18/75
 46. BROWN, REV. 12/18/75
 47. BROWN, REV. 12/18/75
 48. BROWN, REV. 12/18/75
 49. BROWN, REV. 12/18/75
 50. BROWN, REV. 12/18/75
 51. BROWN, REV. 12/18/75
 52. BROWN, REV. 12/18/75
 53. BROWN, REV. 12/18/75
 54. BROWN, REV. 12/18/75
 55. BROWN, REV. 12/18/75
 56. BROWN, REV. 12/18/75
 57. BROWN, REV. 12/18/75
 58. BROWN, REV. 12/18/75
 59. BROWN, REV. 12/18/75
 60. BROWN, REV. 12/18/75
 61. BROWN, REV. 12/18/75
 62. BROWN, REV. 12/18/75
 63. BROWN, REV. 12/18/75
 64. BROWN, REV. 12/18/75
 65. BROWN, REV. 12/18/75
 66. BROWN, REV. 12/18/75
 67. BROWN, REV. 12/18/75
 68. BROWN, REV. 12/18/75
 69. BROWN, REV. 12/18/75
 70. BROWN, REV. 12/18/75
 71. BROWN, REV. 12/18/75
 72. BROWN, REV. 12/18/75
 73. BROWN, REV. 12/18/75
 74. BROWN, REV. 12/18/75
 75. BROWN, REV. 12/18/75
 76. BROWN, REV. 12/18/75
 77. BROWN, REV. 12/18/75
 78. BROWN, REV. 12/18/75
 79. BROWN, REV. 12/18/75
 80. BROWN, REV. 12/18/75
 81. BROWN, REV. 12/18/75
 82. BROWN, REV. 12/18/75
 83. BROWN, REV. 12/18/75
 84. BROWN, REV. 12/18/75
 85. BROWN, REV. 12/18/75
 86. BROWN, REV. 12/18/75
 87. BROWN, REV. 12/18/75
 88. BROWN, REV. 12/18/75
 89. BROWN, REV. 12/18/75
 90. BROWN, REV. 12/18/75
 91. BROWN, REV. 12/18/75
 92. BROWN, REV. 12/18/75
 93. BROWN, REV. 12/18/75
 94. BROWN, REV. 12/18/75
 95. BROWN, REV. 12/18/75
 96. BROWN, REV. 12/18/75
 97. BROWN, REV. 12/18/75
 98. BROWN, REV. 12/18/75
 99. BROWN, REV. 12/18/75
 100. BROWN, REV. 12/18/75

CALIBRATION PROCEDURE

- CONNECT A 4 OHM LOAD RESISTOR * TO I4.
- OUTPUT STAGE BIAS CURRENT ADJUSTMENT. (THE BIAS CAN BE ADJUSTED BY REMOVING THE HEAD CABINET Baffle. USE A LONG ROD AND TAP THE Baffle FROM THE HEAD ON ONE SIDE AVAILABLE THROUGH THE COOLING FAN BLADES.)
- ADJUST VR1 FOR ZERO VOLTAGE OUTPUT AT 100% MODULATION.
- ADJUST VR2 FOR ZERO ± 0.1 VOLTS D.C. BETWEEN K1 AND K2.
- ADJUST VR3 FOR ZERO ± 0.1 VOLTS BETWEEN K1 AND K2.
- HARMONIC DISTORTION METHOD. VOLTS PER CENT AT 100% MODULATION. DRIVE AMPLIFIER FROM AN AMPLIFIER OR A SIGNAL GENERATOR FOR MINIMUM DISTORTION.
- VOLT METER METHOD. ADJUST VR4 FOR ZERO ± 0.1 VOLTS. THE LOAD RESISTOR SHOULD BE ABLE TO DISSIPATE THE FULL POWER OF THE AMPLIFIER, ON 50 WATT.



NOTES:

- ALL RESISTORS 1/2W 10% UNLESS OTHERWISE SPECIFIED.
- ALL CAPACITORS IN MFD. & 400V UNLESS OTHERWISE SPECIFIED.
- D.C. VOLTAGE READINGS WITH NO SIGNAL APPLIED USING AN ELECTRONIC VOLT METER.
- NUMBERS IN PARENTHESES REFER TO MFR'S PART NO.
- A.C. VOLTAGE ARE INDICATED WITHIN BOXES.
- CIRCUIT OF CHASSIS MAY VARY SLIGHTLY FROM THAT SHOWN HERE DUE TO NORMAL PRODUCTION CHANGES.

NOTE: D.C. VOLTAGES FOR V1 ARE APPROXIMATE AND MAY VARY WITH APPLICATION.

| TOLERANCES UNLESS OTHERWISE SPECIFIED | | RESISTORS | | CAPACITORS | | DIMENSIONS | |
|---------------------------------------|------------------|-----------|------------------|------------|------------------|------------|------------------|
| PERCENT | VALUES | VALUES | TOLERANCES | VALUES | TOLERANCES | VALUES | TOLERANCES |
| ±10% | 100, 1000, 10000 | ±1% | 100, 1000, 10000 | ±1% | 100, 1000, 10000 | ±0.1 | 100, 1000, 10000 |
| ±5% | 10, 100, 1000 | ±2% | 10, 100, 1000 | ±2% | 10, 100, 1000 | ±0.2 | 10, 100, 1000 |
| ±2% | 1, 10, 100 | ±5% | 1, 10, 100 | ±5% | 1, 10, 100 | ±0.5 | 1, 10, 100 |
| ±1% | 0.1, 1, 10 | ±10% | 0.1, 1, 10 | ±10% | 0.1, 1, 10 | ±1.0 | 0.1, 1, 10 |

| | | | |
|----------------------|----------|-----------|----------|
| 7X10 ¹ /6 | 591720-3 | RED. SIZE | PART NO. |
| 7X10 ¹ /6 | 591720-2 | | |
| 7X10 ¹ /6 | 591720-1 | | |

| | |
|---|--------------|
| THE AMPEG COMPANY DIVISION OF THE MAGNAVOX COMPANY | |
| POWER AMP SCHEMATIC | |
| DATE | 11-7-53 |
| DESIGNED BY | W. J. HUGHES |
| CHECKED BY | W. J. HUGHES |
| SCALE | 1:1 |
| DRAWN BY | W. J. HUGHES |
| DATE | 11-7-53 |
| REV. | 1 |
| NO. | 591720 |

THIS MATERIAL IS THE PROPERTY OF, AND PROPRIETARY TO, THE MAGNAVOX COMPANY AND IS NOT TO BE USED OR REPRODUCED IN ANY MANNER WITHOUT THE WRITTEN PERMISSION OF THE MAGNAVOX COMPANY. THIS MATERIAL MUST BE RETURNED TO THE MAGNAVOX COMPANY WHEN THE HOLDER NO LONGER REQUIRES IT. USE FOR AUTHORIZED, UNAUTHORIZED, REPRODUCTION.

REVISIONS

1. DRAWN BY W. J. HUGHES

2. CHECKED BY W. J. HUGHES

3. DATE 11-7-53

4. REV. 1

5. NO. 591720

6. EN-2370 1-3-75

7. REVISIONS TO DRAWING

8. EN-1953 11-7-53

9. 120V SWITCH DELETE

10. DIMENSIONS DELETE

11. REVISIONS TO DRAWING

12. EN-1953 11-7-53

13. DIMENSIONS DELETE

14. REVISIONS TO DRAWING

15. EN-1953 11-7-53

16. DIMENSIONS DELETE

17. REVISIONS TO DRAWING

18. EN-1953 11-7-53

19. DIMENSIONS DELETE

20. REVISIONS TO DRAWING

21. EN-1953 11-7-53

22. DIMENSIONS DELETE

23. REVISIONS TO DRAWING

24. EN-1953 11-7-53

25. DIMENSIONS DELETE

26. REVISIONS TO DRAWING

27. EN-1953 11-7-53

28. DIMENSIONS DELETE

29. REVISIONS TO DRAWING

30. EN-1953 11-7-53

31. DIMENSIONS DELETE

32. REVISIONS TO DRAWING

33. EN-1953 11-7-53

34. DIMENSIONS DELETE

35. REVISIONS TO DRAWING

36. EN-1953 11-7-53

37. DIMENSIONS DELETE

38. REVISIONS TO DRAWING

39. EN-1953 11-7-53

40. DIMENSIONS DELETE

41. REVISIONS TO DRAWING

42. EN-1953 11-7-53

43. DIMENSIONS DELETE

44. REVISIONS TO DRAWING

45. EN-1953 11-7-53

46. DIMENSIONS DELETE

47. REVISIONS TO DRAWING

48. EN-1953 11-7-53

49. DIMENSIONS DELETE

50. REVISIONS TO DRAWING

51. EN-1953 11-7-53

52. DIMENSIONS DELETE

53. REVISIONS TO DRAWING

54. EN-1953 11-7-53

55. DIMENSIONS DELETE

56. REVISIONS TO DRAWING

57. EN-1953 11-7-53

58. DIMENSIONS DELETE

59. REVISIONS TO DRAWING

60. EN-1953 11-7-53

61. DIMENSIONS DELETE

62. REVISIONS TO DRAWING

63. EN-1953 11-7-53

64. DIMENSIONS DELETE

65. REVISIONS TO DRAWING

66. EN-1953 11-7-53

67. DIMENSIONS DELETE

68. REVISIONS TO DRAWING

69. EN-1953 11-7-53

70. DIMENSIONS DELETE

71. REVISIONS TO DRAWING

72. EN-1953 11-7-53

73. DIMENSIONS DELETE

74. REVISIONS TO DRAWING

75. EN-1953 11-7-53

76. DIMENSIONS DELETE

77. REVISIONS TO DRAWING

78. EN-1953 11-7-53

79. DIMENSIONS DELETE

80. REVISIONS TO DRAWING

81. EN-1953 11-7-53

82. DIMENSIONS DELETE

83. REVISIONS TO DRAWING

84. EN-1953 11-7-53

85. DIMENSIONS DELETE

86. REVISIONS TO DRAWING

87. EN-1953 11-7-53

88. DIMENSIONS DELETE

89. REVISIONS TO DRAWING

90. EN-1953 11-7-53

91. DIMENSIONS DELETE

92. REVISIONS TO DRAWING

93. EN-1953 11-7-53

94. DIMENSIONS DELETE

95. REVISIONS TO DRAWING

96. EN-1953 11-7-53

97. DIMENSIONS DELETE

98. REVISIONS TO DRAWING

99. EN-1953 11-7-53

100. DIMENSIONS DELETE