

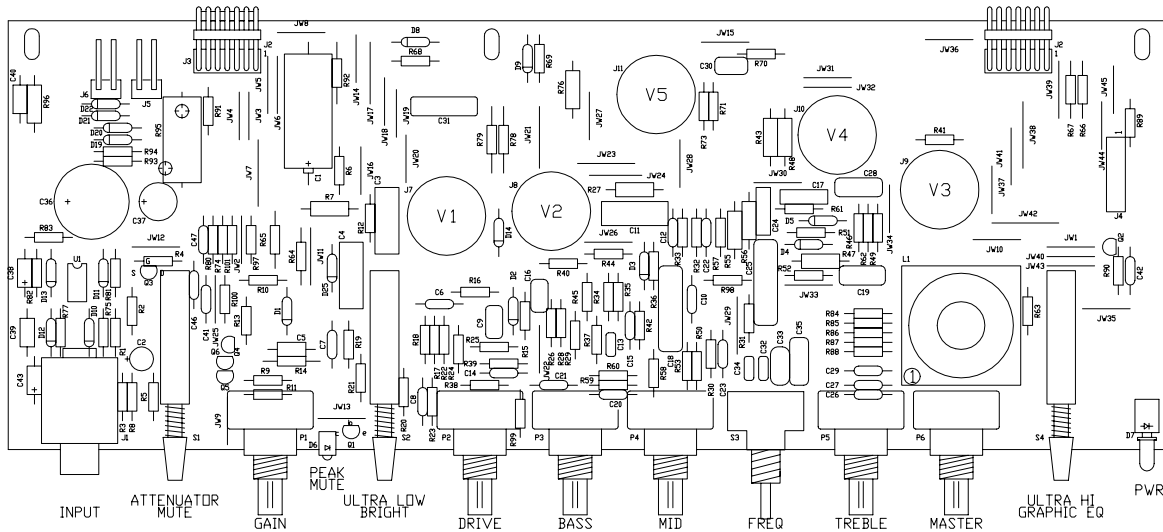
A


B

C

D

E



3	06/18/94	LMA		76-000-01 TO -05 PER E150
2	10/29/93	SWR		CHANGED P/N FOR S1, S2, & S4
1	08/30/93	SWR		ADDED 68-935-01 LED MOUNT TO PARTS LIST
REV	DATE	BY	CHK'D	DESCRIPTION
SIGNATURES:		DATE:		 11880 BORMAN DR. ST. LOUIS, MISSOURI 63146
DRAWN: ERW		3/30/93		
CHK'D:				PROJECT NAME:
APP'D:				SVT-2 PRO
ORIGINAL ISSUED:				DRAWING NAME:
PLOT DATE: 05/18/94				PRE AMP PICTORIAL
PLOT TIME: 08:50:58		DRAWING NO. 07P519-03		REV. 3
FILE NAME: 51903P3Z		SCALE: 1:1		SHEET: 1 OF 2

A

B

C

D

E

