
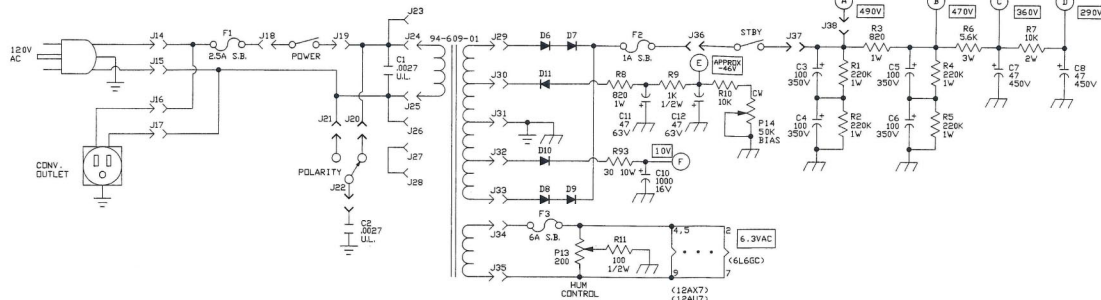


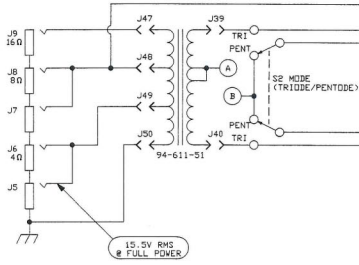
DRG. MGA 9-22-89	hm	hm
VERS. DRAWN BY	CHECKED BY	APPROVED BY
PAGE # 1 OF 2	DRAWING # 16-046-01	
DESCRIPTION: VT-60 SCHEMATIC		


**SLM ELECTRONICS**  
 1180 BORMAN DR.  
 ST. LOUIS, MO 63146

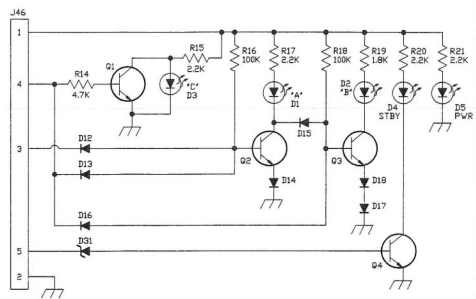


**PARTS LIST**

PART	07-226-01 DESCRIPTION	PART NUMBER
P1-P2	250KA W/SW	70-254-25
P3	100A	70-103-22
P4	250KA	70-254-22
P5, P7, P9	1MA	70-103-25
P6, P8, P10	250KA W/SW	70-254-25
P12	200KA	70-203-23
P13	200 OHM TRIM	71-201-11
P14	5K TRIM	71-502-11
D1, D5	RED LED	21-301-01
D2	YELLOW LED	21-302-01
D3, 4	GREEN LED	21-302-01
D6-11	1N4007	21-444-01
D12-18	1N914	21-4914-01
D19, 20	1N746	21-4146-01
D21-30	1N914	21-4914-01
D31	1N747	21-4147-01
Q1-4	6N5210	96-510-01
Q5-12	J176	96-176-01
Q13-20	2N5210	96-510-01
DC1-3, DC6	VTL-5C3	66-101-01
DC4, 5	VTL-5C4	66-104-01
V1, 2	12AX7A HI GRADE	95-127-02
V3	12AU7A	95-126-01
V4, V5	12AX7A	95-127-01
V7-V8	6L6GC	95-616-01
J1, 2	1/4" JACK	39-119-01
J3, 4	1/4" JACK	39-117-01
J5-9	1/4" JACK	39-116-01
J10, 11	5/16" JACK	39-402-01
J12, 13	1/4" JACK	39-114-01
J14-19	.250" TAB	17-896-01
J20	.250" TAB	17-894-01
J21	.250" TAB	17-896-01
J22	.250" TAB	17-894-01
J23-24	.250" TAB	17-896-01
J25-40	.250" TAB	17-896-01
J41-44	.250" TAB	17-894-01
J45, 46	5 PIN HEADER	17-910-05
J47	.250" TAB	17-896-01
J48	.250" TAB	17-894-01
J51-55	9 PIN SOCKET	17-450-09
J56-59	8 PIN SOCKET	17-450-08
S2	DPDT SLIDE SWITCH P. B.	68-208-01
S3	DPDT P. B.	68-208-01
F1	2.5A SB	23-309-05
F2	1A SB	23-301-05
F3	6A SB	23-307-01



**LED BOARD**



**CAUTION:**  
THIS SCHEMATIC IS PROVIDED FOR USE BY QUALIFIED PERSONNEL TO AVOID RISK OF ELECTRIC SHOCK. REFER SERVICING TO QUALIFIED SERVICE PERSONNEL. DO NOT PERFORM ANY SERVICING BEYOND THAT EXPLAINED IN THE OPERATING INSTRUCTIONS.

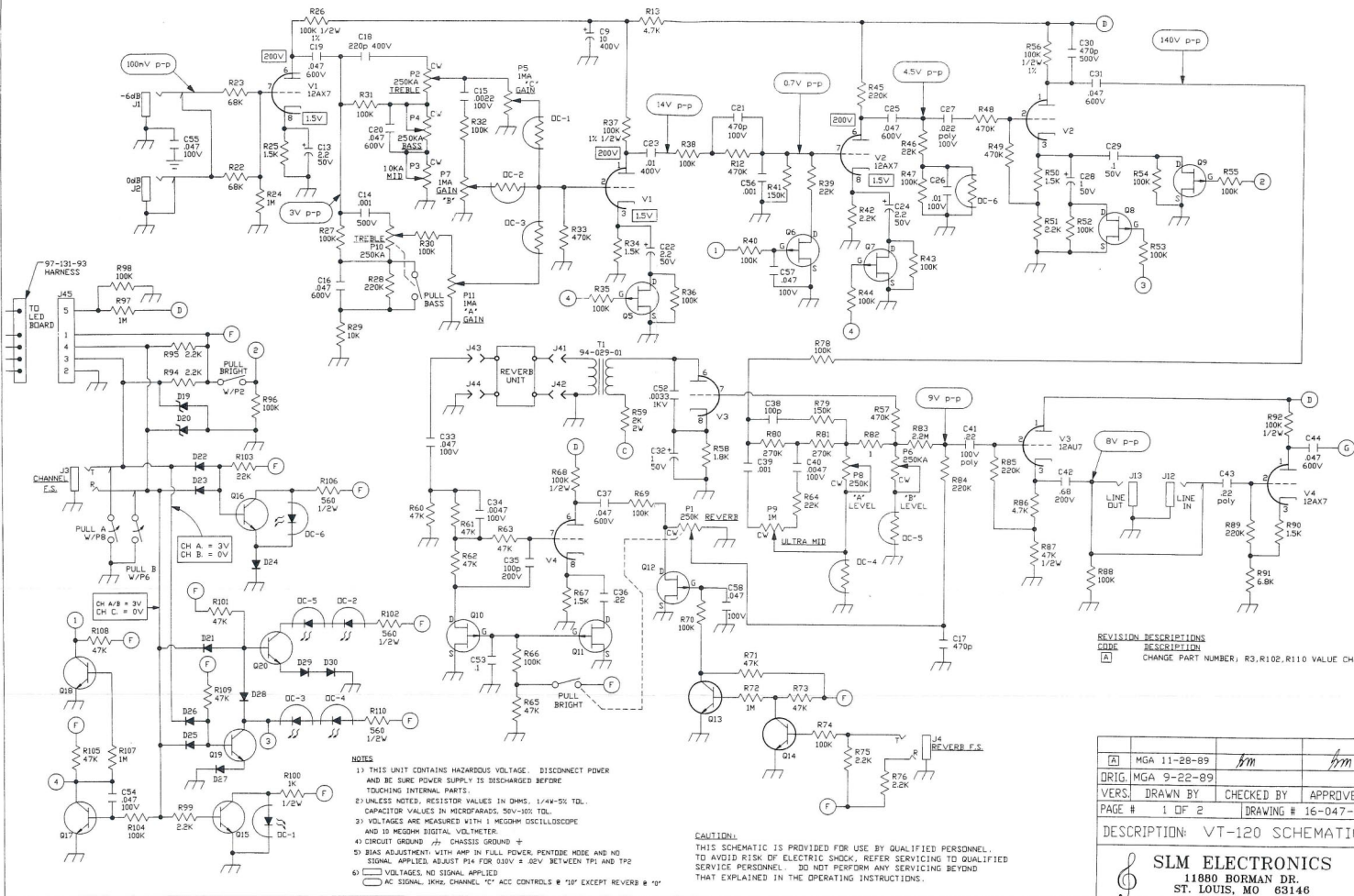
**NOTES**

- 1) THIS UNIT CONTAINS HAZARDOUS VOLTAGE. DISCONNECT POWER AND BE SURE POWER SUPPLY IS DISCHARGED BEFORE TOUCHING INTERNAL PARTS.
- 2) UNLESS NOTED, RESISTOR VALUES IN OHMS, 1/4W-50% TOL. CAPACITOR VALUES IN MICROFARADS, 50V-VC TOL.
- 3) VOLTAGES ARE MEASURED WITH 1 MEGOHM OSCILLOSCOPE AND 10 MEGOHM DIGITAL VOLTMETER.
- 4) CIRCUIT GROUND  $\text{---}$  CHASSIS GROUND  $\text{---}$
- 5) BIAS ADJUSTMENT WITH AMP IN PENTODE MODE AND NO SIGNAL APPLIED. ADJUST P14 FOR 0.05V  $\pm$  .01V BETWEEN TP1 AND TP2
- 6)  $\text{---}$  VOLTAGES, NO SIGNAL, APPLIED AC SIGNAL, 100% CHANNEL "0" ALL CONTROLS  $\text{---}$  "10" EXCEPT REVERB  $\text{---}$  "6"

ORIG MGA 9-22-89	gm	gm
VERS. DRAWN BY	CHECKED BY	APPROVED BY
PAGE # 2 OF 2	DRAWING # 16-046-01	

DESCRIPTION: VT-60 SCHEMATIC

**SLM ELECTRONICS**  
11880 BORMAN DR.  
ST. LOUIS, MO 63146

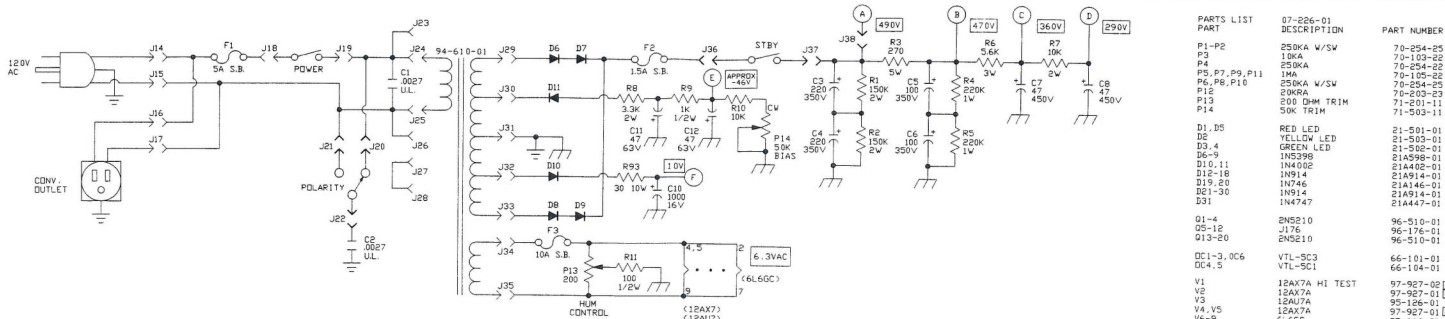


REVISION DESCRIPTIONS  
 CODE DESCRIPTION  
 [A] CHANGE PART NUMBER, R3,R102,R110 VALUE CHANGE

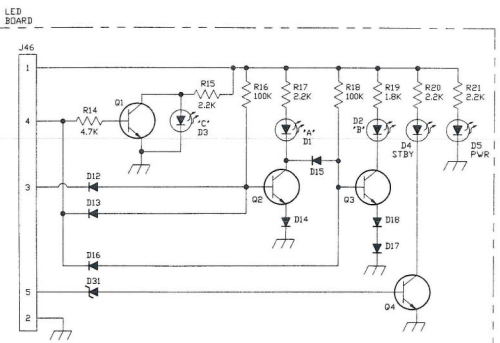
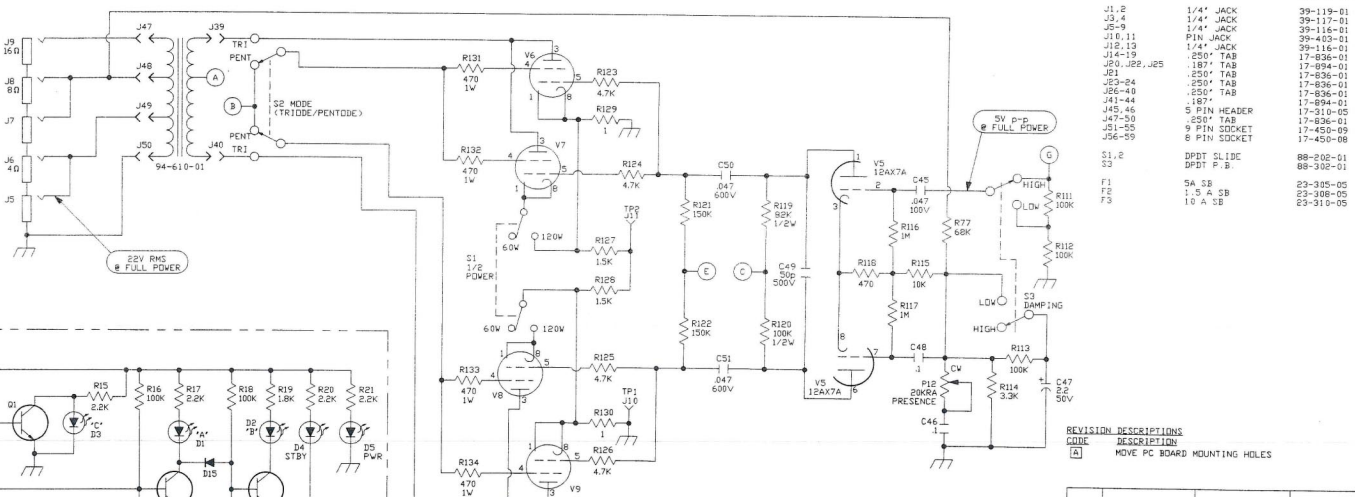
- NOTES**
- 1) THIS UNIT CONTAINS HAZARDOUS VOLTAGE. DISCONNECT POWER AND BE SURE POWER SUPPLY IS DISCHARGED BEFORE TOUCHING INTERNAL PARTS.
  - 2) UNLESS NOTED, RESISTOR VALUES IN OHMS, 1/4W-5% TOL. CAPACITOR VALUES IN MICROFARADS, 50V-10% TOL.
  - 3) VOLTAGES ARE MEASURED WITH 1 MEGOHM OSCILLOSCOPE AND IS MEGOHM DIGITAL VOLTMETER.
  - 4) CONDUIT GROUND #8 CHASSIS GROUND +
  - 5) BIAS ADJUSTMENT, WITH AMP IN FULL POWER, PENTODE MODE AND NO SIGNAL, ADJUST P14 FOR 0.0V ± 0.2V BETWEEN TP1 AND TP2
  - 6) VOLTAGES, NO SIGNAL APPLIED  
 AC SIGNAL, 100% CHANNEL, "C" ACC CONTROLS "S" 10" EXCEPT REVERB "R"

**CAUTION:**  
 THIS SCHEMATIC IS PROVIDED FOR USE BY QUALIFIED PERSONNEL. TO AVOID RISK OF ELECTRIC SHOCK, REFER SERVICING TO QUALIFIED SERVICE PERSONNEL. DO NOT PERFORM ANY SERVICING BEYOND THAT EXPLAINED IN THE OPERATING INSTRUCTIONS.

[A]	MGA 11-28-89	fm	fm
	DRIG, MGA 9-22-89		
	VERS. DRAWN BY	CHECKED BY	APPROVED BY
	PAGE # 1 OF 2	DRAWING # 16-047-01A	
DESCRIPTION: VT-120 SCHEMATIC			
 <b>SLM ELECTRONICS</b> 11880 BORMAN DR. ST. LOUIS, MO 63146			



PARTS LIST	DESCRIPTION	PART NUMBER
07-266-01	DESCRIPTION	
P1-P2	250KA W/SW	70-254-25
P3	10KA	70-103-22
P4	250KA	70-254-22
P5, P7, P9, P11	1MA	70-105-22
P6, P8, P10	250KA W/SW	70-254-25
P12	20KA	70-200-23
P13	200 DM TRIM	71-201-11
P14	50K TRIM	71-503-11
D1, D5	RED LED	21-591-01
D2	YELLOW LED	21-505-01
D3, 4	GREEN LED	21-598-01
D6-9	INS999	210598-01
D10, 11	1N4002	214402-01
D12-18	1N914	214914-01
D19, 20	1N746	21146-01
D21-30	1N914	214914-01
D31	1N4747	214447-01
I1-4	2N5210	96-510-01
02-12	J176	96-176-01
013-20	2N5210	96-510-01
DC1-3, DC6	VTL-SC3	66-1-01-01
DC4, 5	VTL-SC1	66-1-04-01
V1	12AX7A HI TEST	97-927-02 [M]
V2	12AX7A	97-927-01
V3	12AU7A	95-128-01
V4, V5	12AX7A	97-927-01 [M]
V6-9	6L6GC	95-916-01
J1, 2	1/4" JACK	39-119-01
J3, 4	1/4" JACK	39-117-01
J5-9	1/4" JACK	39-116-01
J10, 11	PIN JACK	39-403-01
J12, 13	1/4" JACK	39-116-01
J14-17	250T TAB	17-836-01
J18, J22, J25	187T TAB	17-894-01
J21	250T TAB	17-836-01
J23-24	250T TAB	17-836-01
J25-28	250T TAB	17-836-01
J41-44	250T TAB	17-836-01
J45, 46	5 PIN HEADER	17-894-01
J47	250T TAB	17-310-05
J48-51	9 PIN SOCKET	17-836-01
J51-55	9 PIN SOCKET	17-450-09
J56-9	6 PIN SOCKET	17-450-08
S1, 2	DPDT 2L BLC	88-202-01
S3	DPDT	88-302-01
F1	5A SB	23-305-05
F2	1.5 A SB	23-308-05
F3	10 A SB	23-310-05



CAUTION:  
THIS SCHEMATIC IS PROVIDED FOR USE BY QUALIFIED PERSONNEL.  
TO AVOID RISK OF ELECTRIC SHOCK, REFER SERVICING TO QUALIFIED  
SERVICE PERSONNEL. DO NOT PERFORM ANY SERVICING BEYOND  
THAT EXPLAINED IN THE OPERATING INSTRUCTIONS.

- NOTES
- 1) THIS UNIT CONTAINS HAZARDOUS VOLTAGE. DISCONNECT POWER AND BE SURE POWER SUPPLY IS DISCHARGED BEFORE TOUCHING INTERNAL PARTS.
  - 2) UNLESS NOTED, RESISTOR VALUES IN OHMS, 1/4W-5K TOL. CAPACITOR VALUES IN MICROFARADS, 50V-10% TOL.
  - 3) VOLTAGES ARE MEASURED WITH 1 MEGOHM OSCILLOSCOPE AND 10 MEGOHM DIGITAL VOLTMETER.
  - 4) CIRCUIT GROUND  $\neq$  CHASSIS GROUND  $\neq$ .
  - 5) BIAS ADJUSTMENT, WITH AMP IN PENTODE MODE AND NO SIGNAL APPLIED, ADJUST P14 FOR 0.10V  $\pm$  .02V BETWEEN TP1 AND TP2.
  - 6) [Symbol] VOLTAGES, NO SIGNAL APPLIED.  
[Symbol] AC SIGNAL, 10KHz CHANNEL "C" ALL CONTROLS  $\neq$  "10" EXCEPT REVERB  $\neq$  "0".

REVISION	DESCRIPTIONS
1	REVISED DESCRIPTION
2	MOVE PC BOARD MOUNTING HOLES

[A]	MGA 11-28-89	hm	hm
ORIG. MGA 9-22-89			
VERS.	DRAWN BY	CHECKED BY	APPROVED BY
PAGE #	2 OF 2	DRAWING # 16-40701A	
DESCRIPTION: VT-120 SCHEMATIC			

SLM ELECTRONICS  
11880 BORMAN DR.  
ST. LOUIS, MO 63146