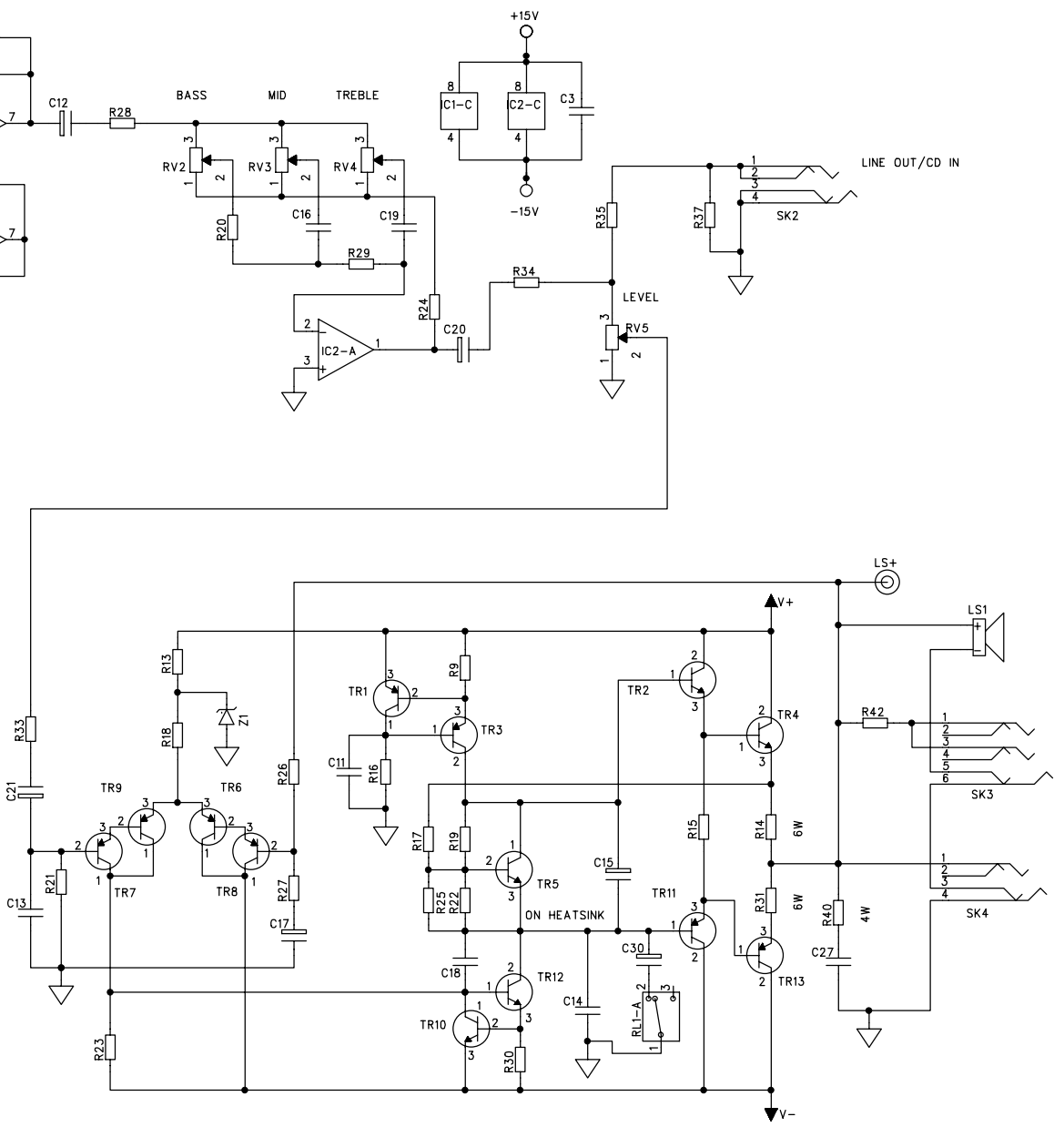
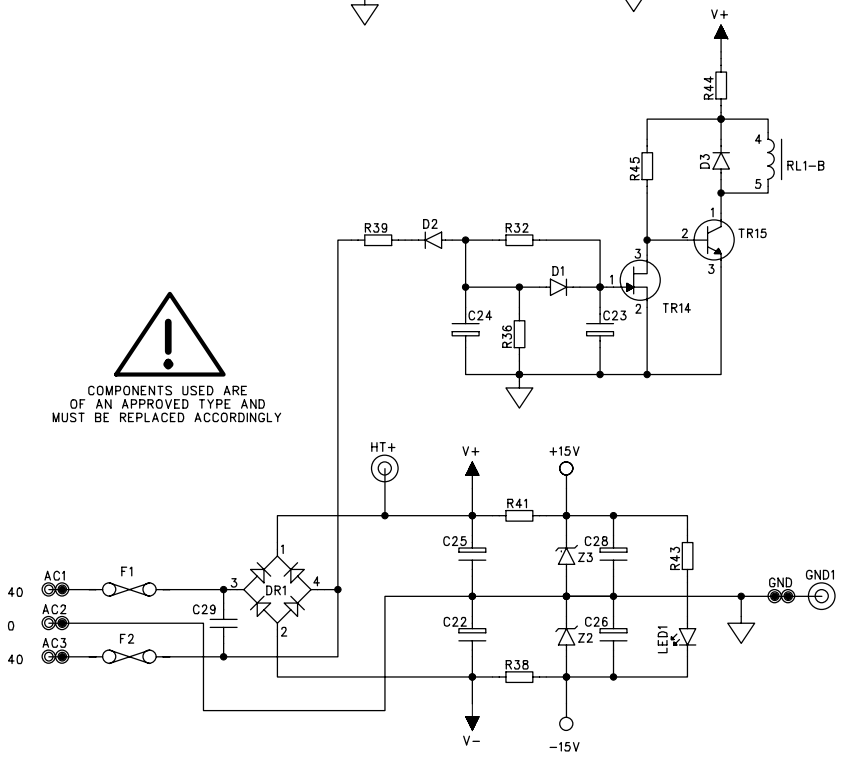
  
 COMPONENTS USED ARE  
 OF AN APPROVED TYPE AND  
 MUST BE REPLACED ACCORDINGLY



|            |                        |                |
|------------|------------------------|----------------|
| TITLE      | 515 BASS AMPLIFIER     | <b>ASHDOWN</b> |
| PROJECT    | ASHDOWN BASS AMPLIFIER |                |
| DRAWING No | ACD059                 |                |
| ISSUE      | 1                      |                |
| DATE       | 03/01/07               |                |
| DRAWN BY   | CLIVE BUTTON           | TEL<br>FAX     |