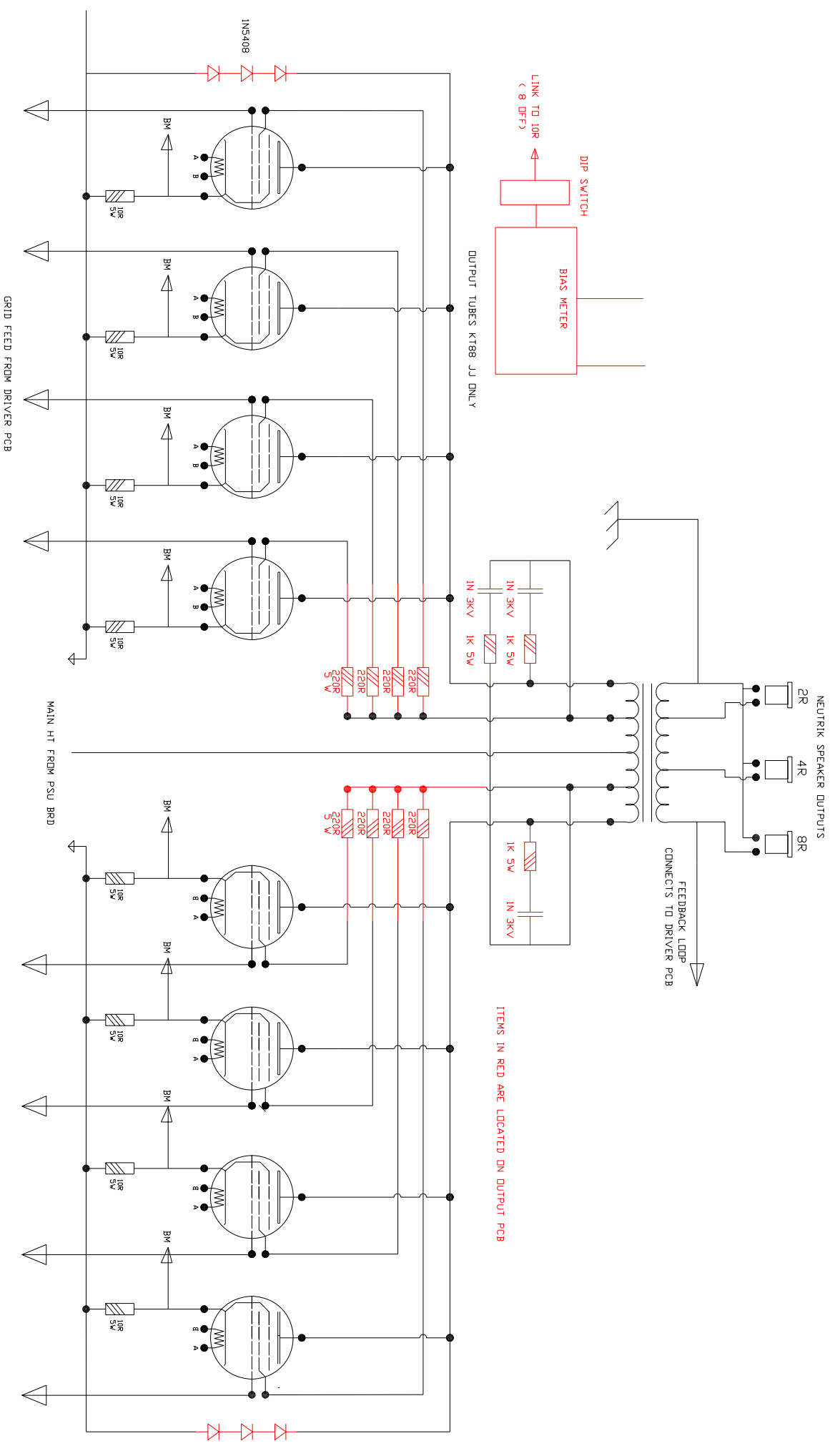


POWER AMP CIRCUIT .OUTPUT MK1



ITEMS IN RED ARE LOCATED ON OUTPUT PCB