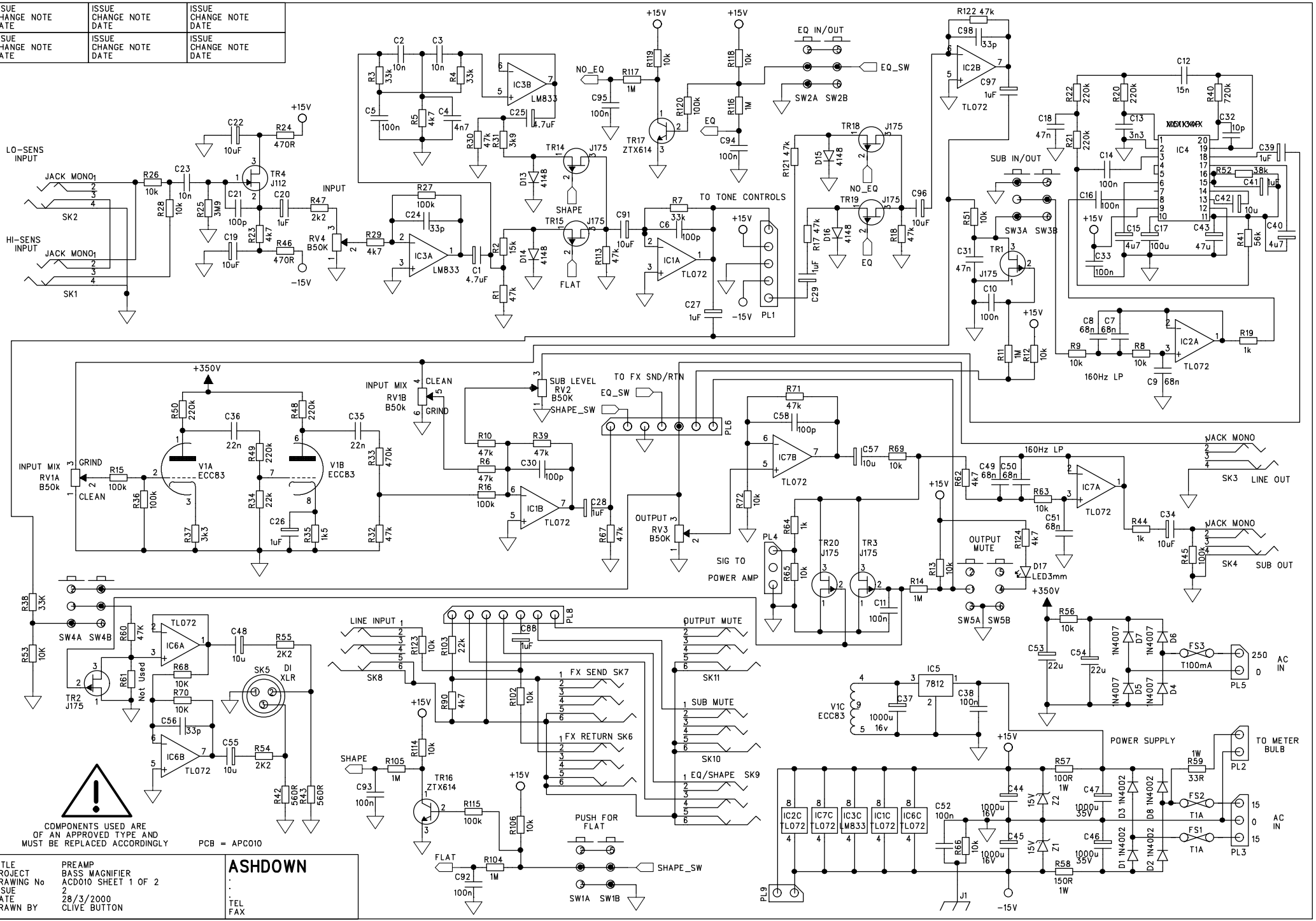


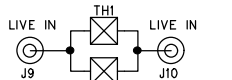
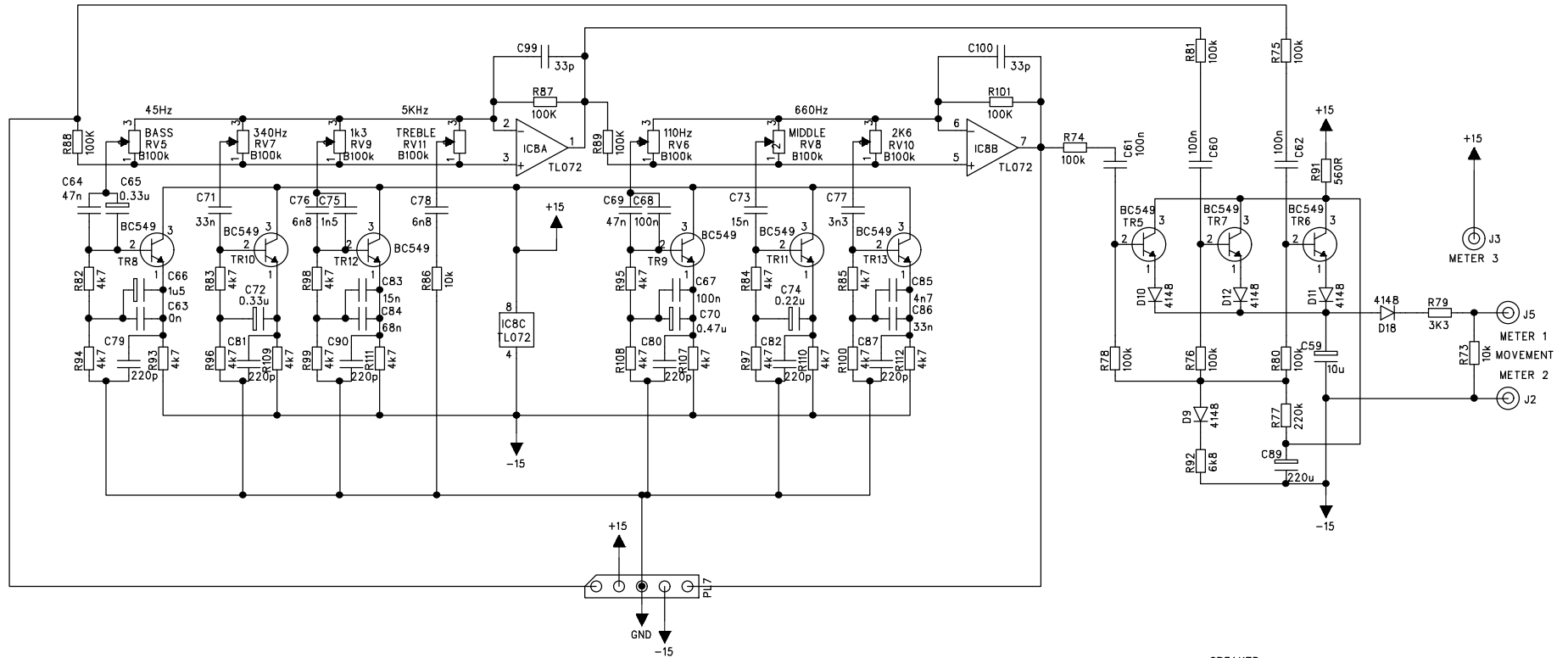
ISSUE CHANGE NOTE DATE	ISSUE CHANGE NOTE DATE	ISSUE CHANGE NOTE DATE
ISSUE CHANGE NOTE DATE	ISSUE CHANGE NOTE DATE	ISSUE CHANGE NOTE DATE



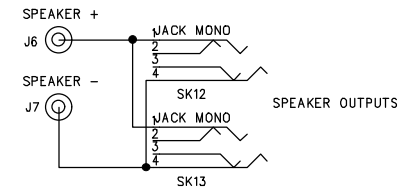
COMPONENTS USED ARE OF AN APPROVED TYPE AND MUST BE REPLACED ACCORDINGLY PCB = APC010

TITLE	PREAMP	ASHDOWN
PROJECT	BASS MAGNIFIER	
DRAWING No	ACD010 SHEET 1 OF 2	
ISSUE	2	
DATE	28/3/2000	
DRAWN BY	CLIVE BUTTON	TEL FAX

ISSUE CHANGE NOTE DATE	ISSUE CHANGE NOTE DATE	ISSUE CHANGE NOTE DATE
ISSUE CHANGE NOTE DATE	ISSUE CHANGE NOTE DATE	ISSUE CHANGE NOTE DATE



SOFT START DEVICE
IN SERIES WITH MAINS TRANSFORMER



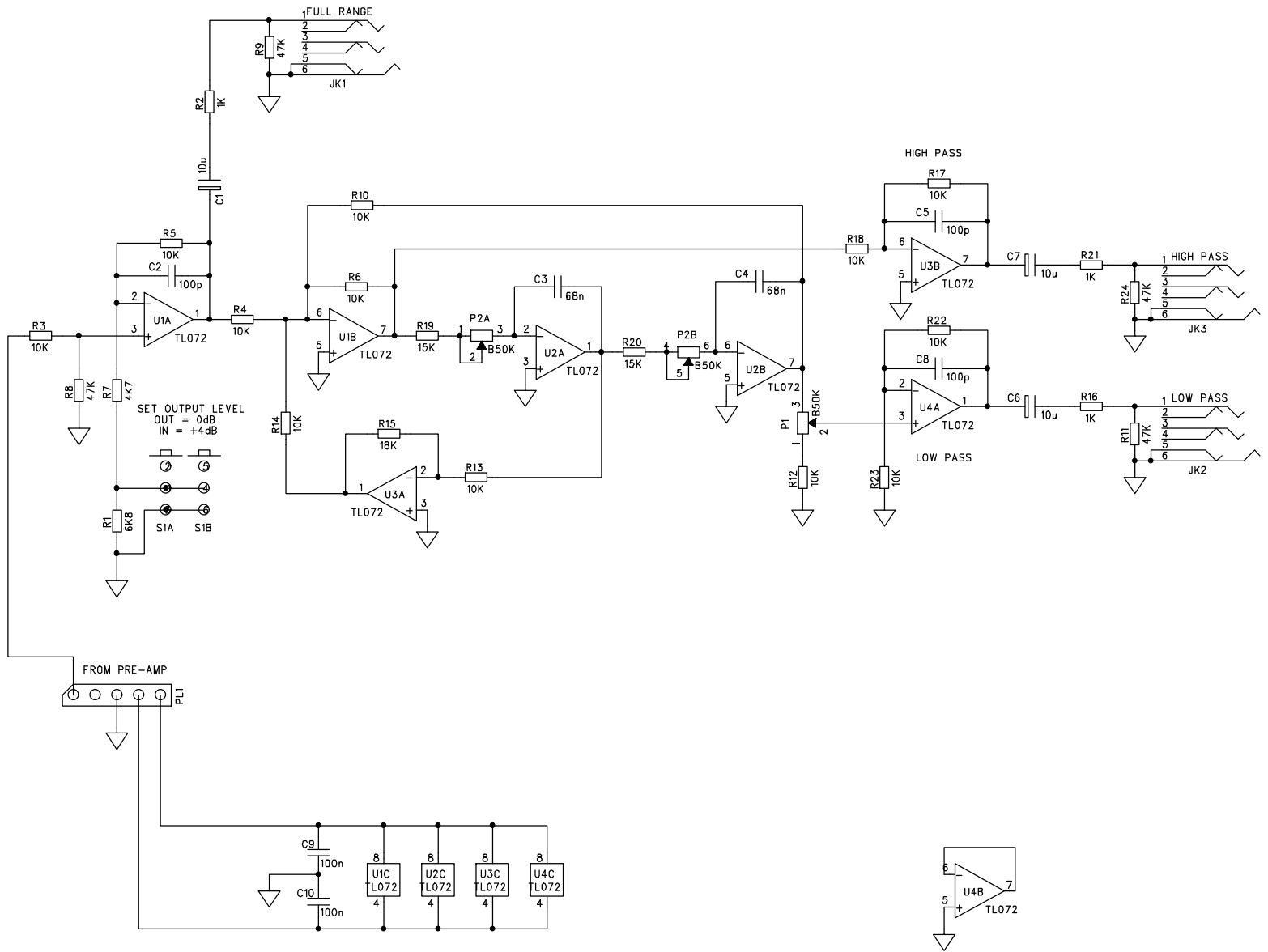
COMPONENTS USED ARE
OF AN APPROVED TYPE AND
MUST BE REPLACED ACCORDINGLY

PCB = APC010

TITLE TONE CONTROL
PROJECT BASS MAGNIFIER
DRAWING No ACD010 SHEET 2 OF 2
ISSUE 2
DATE 28/3/2000
DRAWN BY CLIVE BUTTON

ASHDOWN
ENGLAND
TEL
FAX

ISSUE CHANGE NOTE DATE	ISSUE CHANGE NOTE DATE	ISSUE CHANGE NOTE DATE
ISSUE CHANGE NOTE DATE	ISSUE CHANGE NOTE DATE	ISSUE CHANGE NOTE DATE

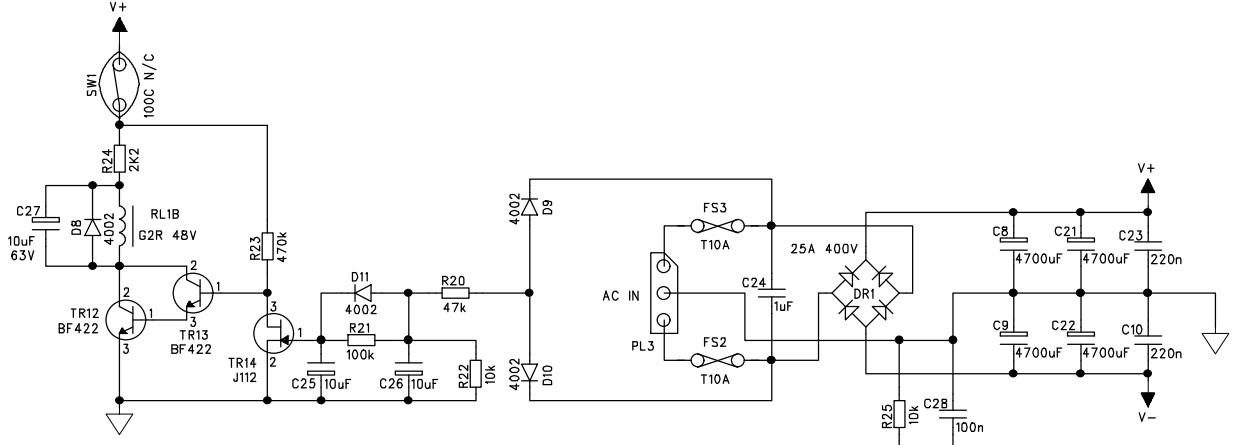
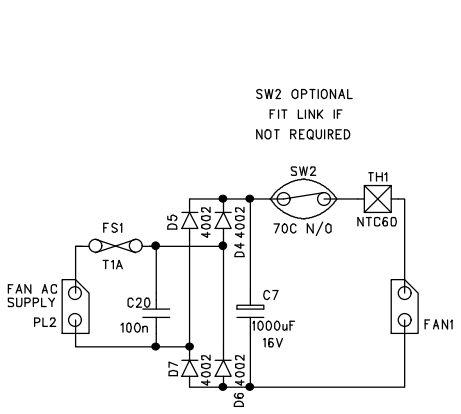
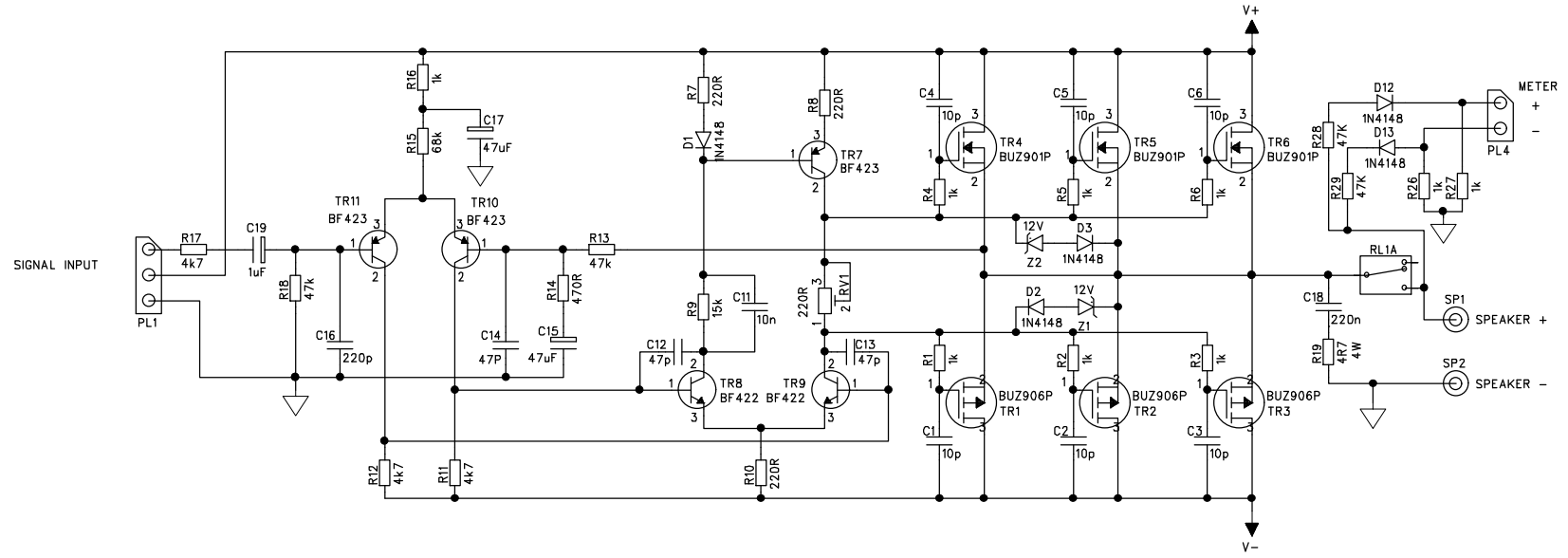


PCB = APC009

TITLE CROSSOVER BOARD
 PROJECT RACK MAGNIFIER PREAMP
 DRAWING No AC009
 ISSUE 1
 DATE 13/8/99
 DRAWN BY CLIVE BUTTON

ASHDOWN
 .
 .
 TEL (01245) 477010
 FAX (01245) 477020

ISSUE CHANGE NOTE DATE	ISSUE CHANGE NOTE DATE	ISSUE CHANGE NOTE DATE
ISSUE CHANGE NOTE DATE	ISSUE CHANGE NOTE DATE	ISSUE CHANGE NOTE DATE



COMPONENTS SHOWN FOR 400/500 WATT UNIT
FOR 300 WATT UNIT LEAVE OFF:- TR3,TR6,C21,C22



COMPONENTS USED ARE OF AN APPROVED TYPE AND MUST BE REPLACED ACCORDINGLY

PCB = APC001	TITLE PROJECT DRAWING No ISSUE DATE DRAWN BY	ABM OUTPUT BOARD BASS MAGNIFIER ACD001 3 4/10/99 CLIVE BUTTON	ASHDOWN ENGLAND TEL FAX
--------------	---	--	---