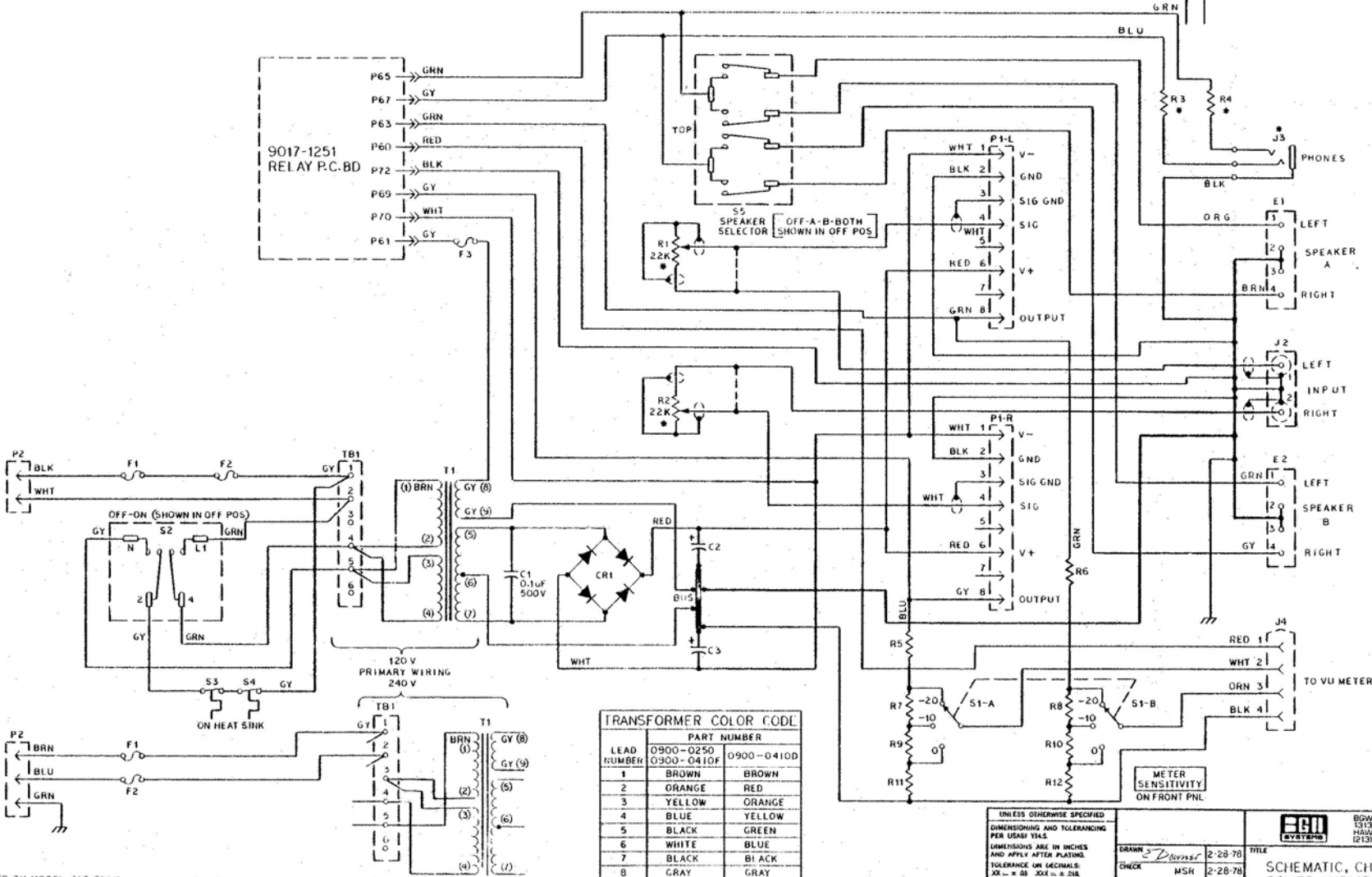


9017-1251
RELAY P.C. BD



TRANSFORMER COLOR CODE		
LEAD NUMBER	PART NUMBER	
1	0900-0250	0900-0410D
2	BROWN	BROWN
3	ORANGE	RED
4	YELLOW	ORANGE
5	BLUE	YELLOW
6	WHITE	BLUE
7	BLACK	BLACK
8	GRAY	GRAY
9	GRAY	GRAY

3 - USED ON MODEL 410 ONLY.
2 - CHECK PARTS LIST FOR VALUES OF UNMARKED COMPONENTS.
1 - ALL RESISTORS ± 5%, 1/2W, EXCEPT AS SHOWN.

NOTES: DIMENSIONS OTHERWISE SPECIFIED.

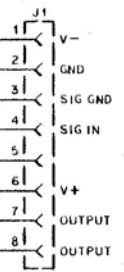
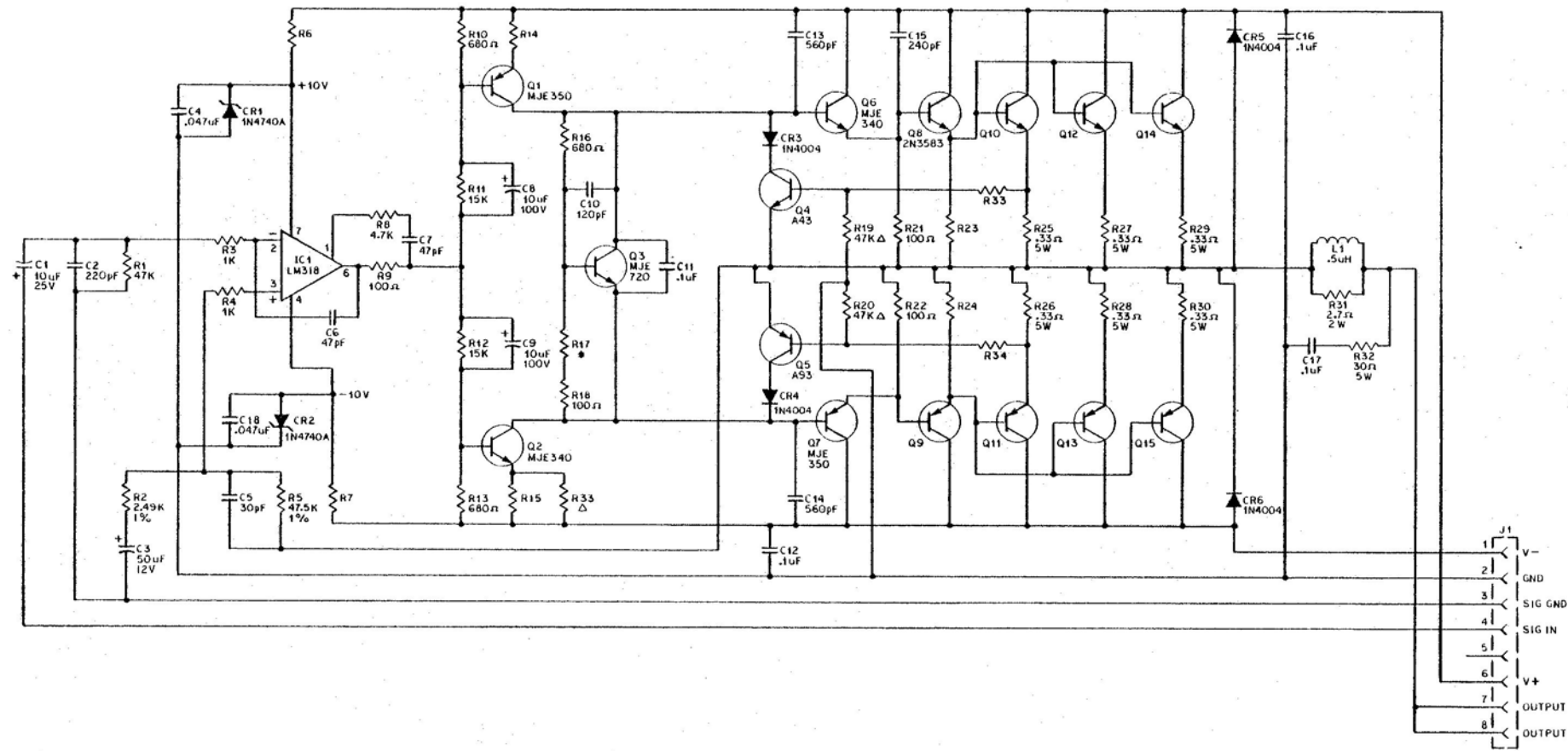
UNLESS OTHERWISE SPECIFIED
DIMENSIONING AND TOLERANCING
PER USASI Y14.5
DIMENSIONS ARE IN INCHES
AND APPLY AFTER PLATING.
TOLERANCE ON DECIMALS:
XX - ± 0.01 XX - ± 0.010
TOLERANCE ON ANGLES - ± 0° 30'
BREAK SHARP EDGES 0.03 MAX.
SURFACE ROUGHNESS 125

DRAWN	D. Dwyer	2-28-78
CHECK	MSR	2-28-78
PROJECT ENGR	MSR	2-28-78

	BOW SYSTEMS 13130 SOUTHWILKON AVE. HAWTHORNE, CA 90250 (213) 974-8500	
	TITLE SCHEMATIC, CHASSIS WIRING, POWER AMPLIFIER	
SIZE D	FORM MFRM-07001	REV ---
SCALE NONE	DRAWING NUMBER MFRM-07001	SHEET 1 OF 1

FORM MFRM-07001

REVISIONS			
LIB	DESCRIPTION	DATE	APPROVED



FORM MFRM-06901

- 4 - CHECK PARTS LIST FOR VALUES OF UNMARKED COMPONENTS.
- Δ 3 - MAY BE SELECTED FOR OPTIMUM OPERATION.
- 2 - R17 TO BE SELECTED FOR 370 mA THRU EMITTER RESISTOR R23 OR R24.
- 1 - ALL RESISTORS 15%, 1/2 W, EXCEPT AS SHOWN.

NOTES: UNLESS OTHERWISE SPECIFIED.

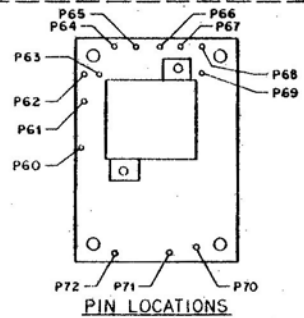
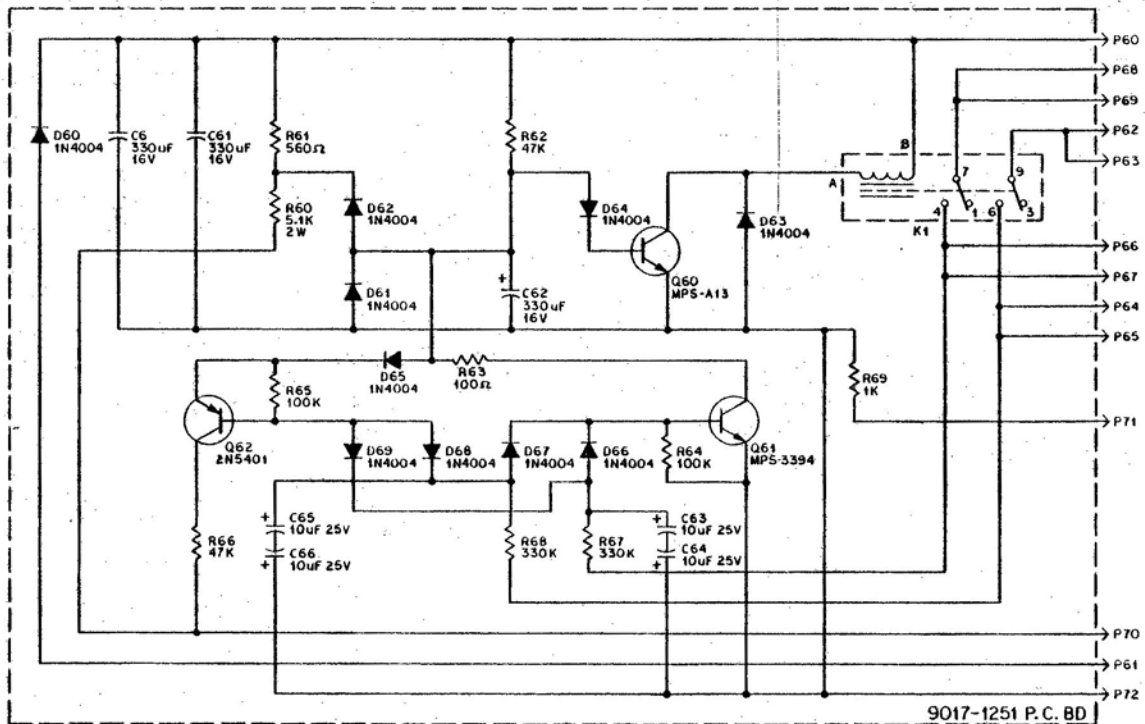
UNLESS OTHERWISE SPECIFIED
 DIMENSIONING AND TOLERANCING PER USAS1 Y14.5
 DIMENSIONS ARE IN INCHES AND APPLY AFTER PLATING.
 TOLERANCE ON DECIMALS:
 XX = ± .03 XXX = ± .010
 TOLERANCE ON ANGLES IS ± 0° 30'
 BREAK SHARP EDGES AND MAX. SURFACE ROUGHNESS 125

DRAWN	8-27-77
CHECK	8-29-77
PROJECT	8-29-77

		BGW SYSTEMS 13130 SOUTH YUKON AVE HAWTHORNE, CA 90250 (213) 973-9090
TITLE SCHEMATIC, HEAT SINK MODULE, POWER AMPLIFIER		
SIZE	FORM	DRAWING NUMBER
D	MFRM	MFRM-06901
SCALE	NONE	SHEET 1 OF 1

DO NOT SCALE DRAWING

REVISIONS			
LTR	DESCRIPTION	DATE	APPROVED



1 - ALL RESISTORS ±5%, 1/2W, EXCEPT AS SHOWN.

NOTES: UNLESS OTHERWISE SPECIFIED.

UNLESS OTHERWISE SPECIFIED				BDW SYSTEMS 13130 SOUTH YUKON AVE. HAWTHORNE, CA 90250 (213) 873-8050	
DIMENSIONING AND TOLERANCING PER USAS1 Y14.1.		DRAWN <i>MSR</i> 10-24-78		TITLE	
DIMENSIONS ARE IN INCHES AND APPLY AFTER PLATING.		CHECK MSR 10-24-78		SCHEMATIC, RELAY BOARD, POWER AMPLIFIER	
TOLERANCE ON DECIMALS: .005		PROJECT ENGR MSR 10-24-78		DRAWING NUMBER	
TOLERANCE ON ANGLES: ± 9° MIN				MFRM-08302	
BREAK SHARP EDGES TO MAX SURFACE ROUGHNESS 125				REV	
				D	
				SCALE	
				SHEET OF	

FORM MFRM-08302

DO NOT SCALE DRAWING