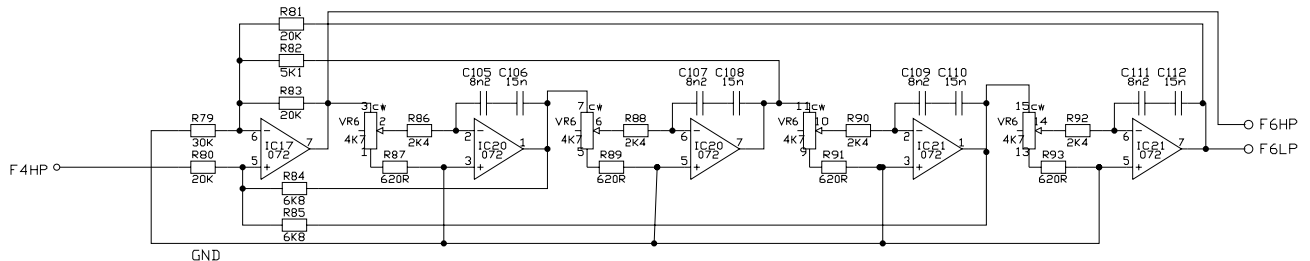
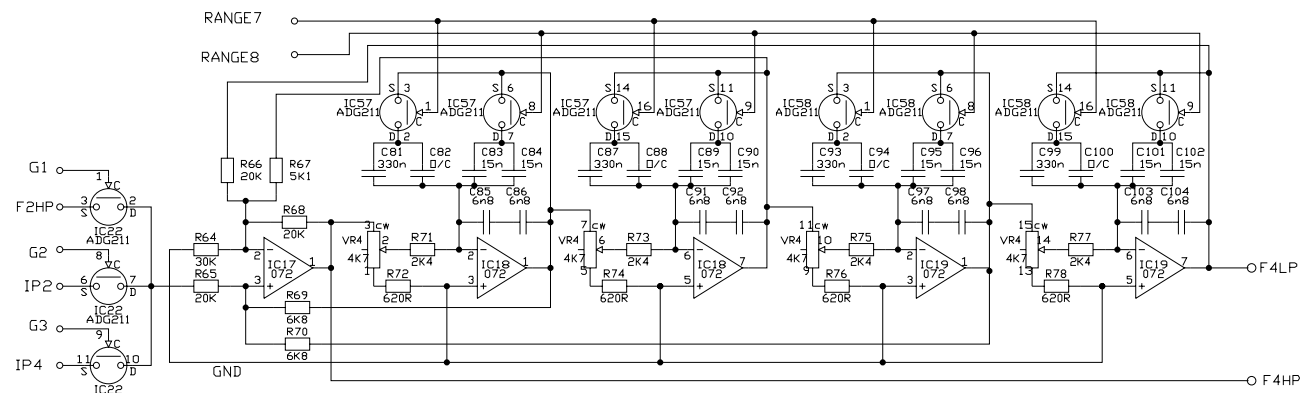
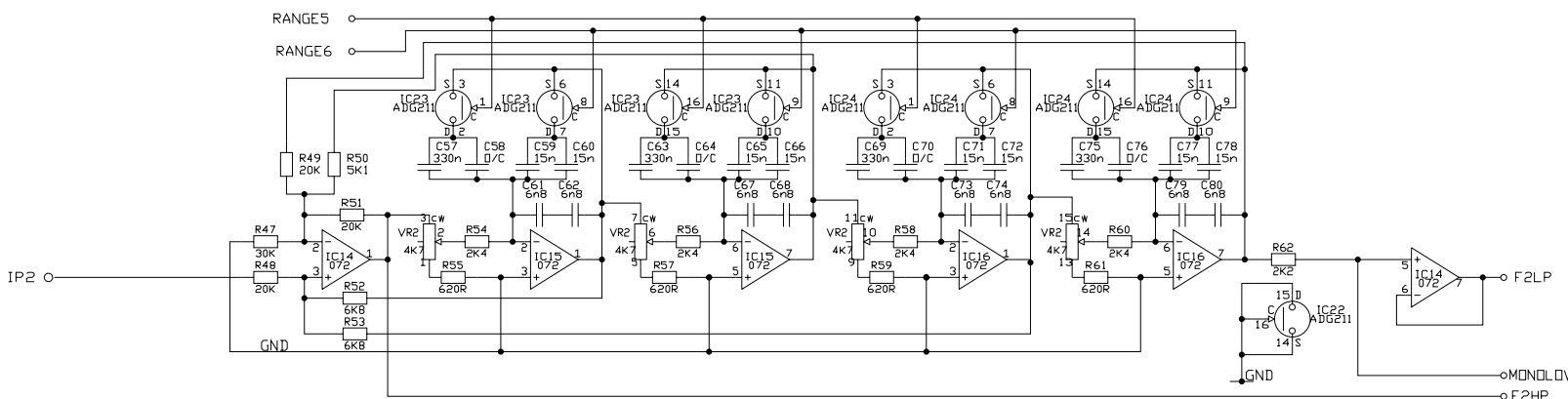


MODS	ISSUE NO.	DATE	DRAWN BY	TITLE	DRAWING NO.	SHEET 1 OF 5 SHEETS
	2	14-6-94	PJW	318 Main PCB	318S-	

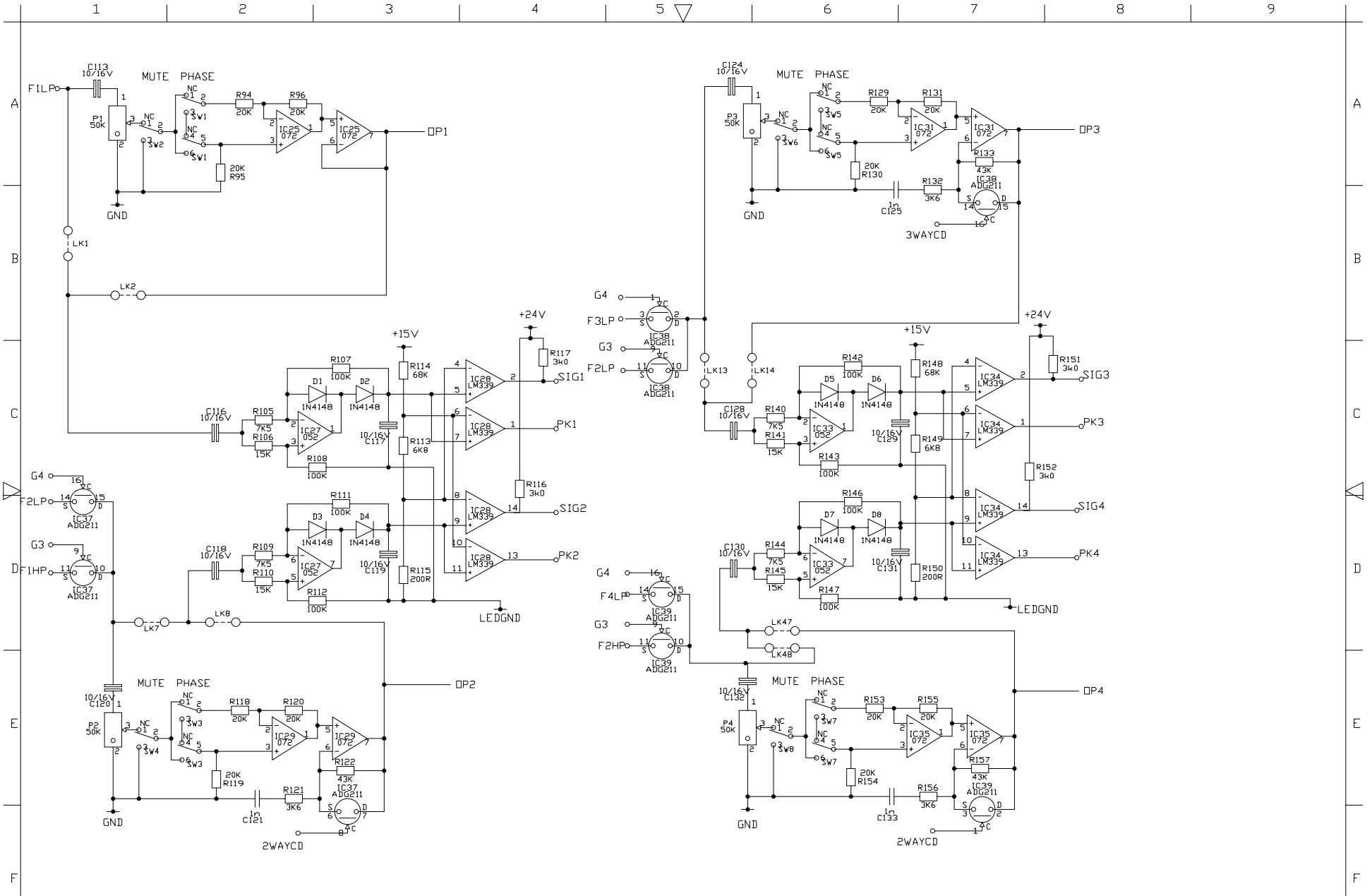
BSS  
P22

A  
B  
C  
D  
E  
F

A  
B  
C  
D  
E  
F



MODS	ISSUE NO.	DATE	DRAWN BY	TITLE	DRAWING NO.	SHEET	OF	SHEETS
	2	14-6-94	PJW	318 Main PCB	318S-	2	5	



MODS  
 1. R116,117,151,152 CHANGED  
 FROM 2K4 TO 3K0

ISSUE NO: 2  
 DATE: 14-6-94

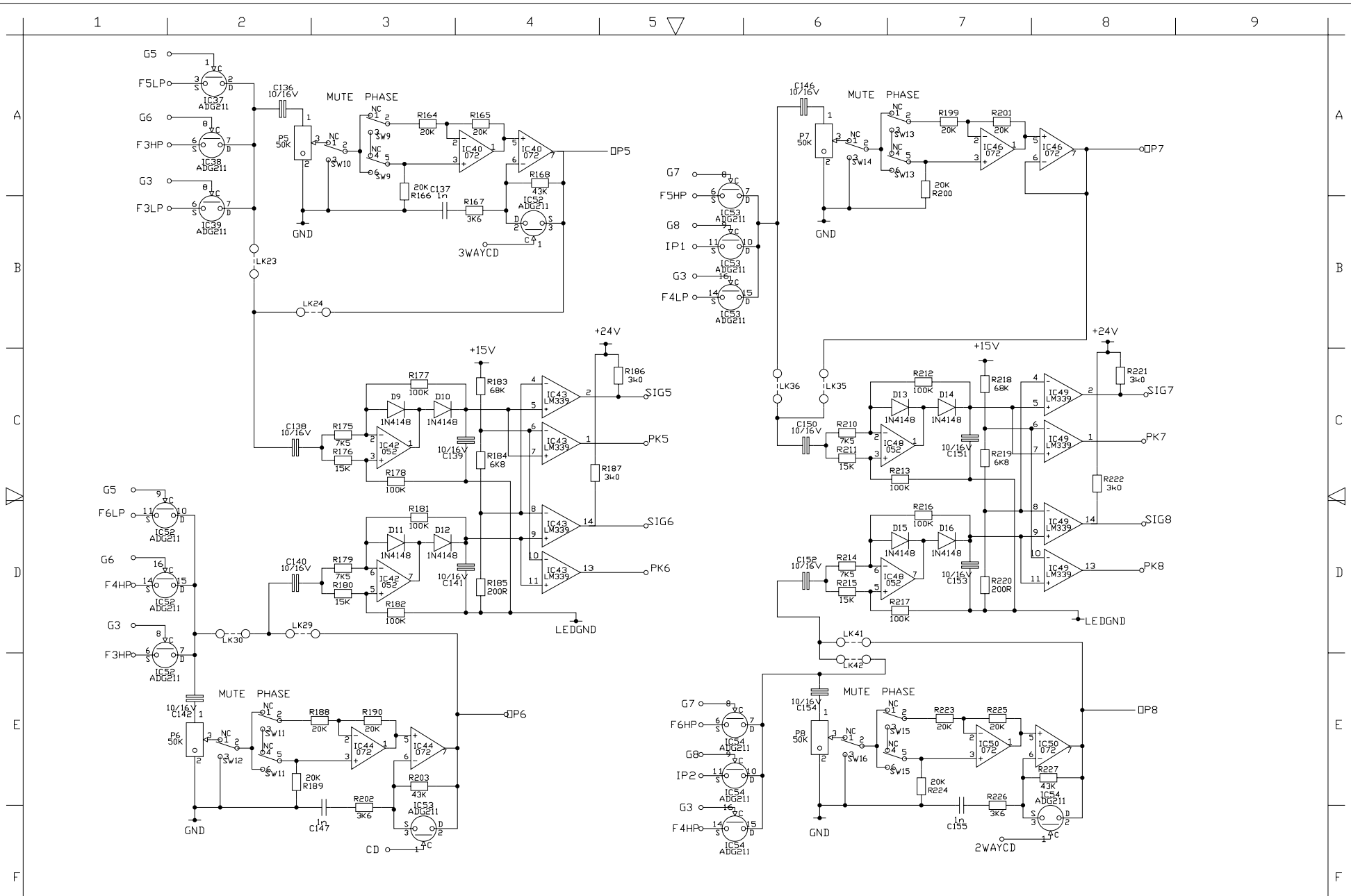
DRAWN BY: PJW

TITLE: 318 Main PCB

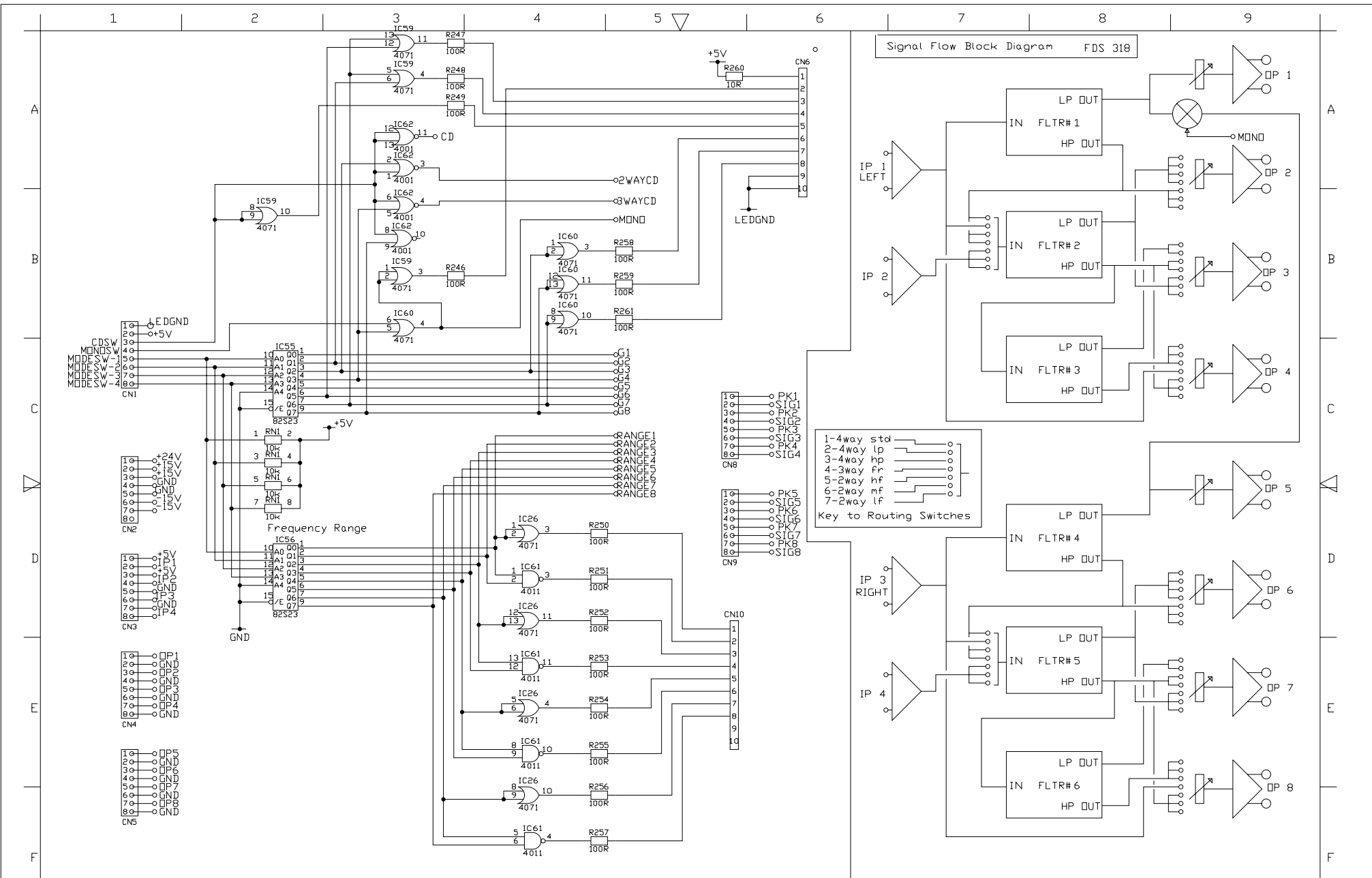
DRAWING NO: 318S-

SHEET OF SHEETS: 3 OF 5

3



MODS	ISSUE NO.	DATE	DRAWN BY	TITLE	DRAWING NO.	SHEET	OF	SHEETS
1. R186,187,221,222 CHANGED FROM 2K4 TO 3K0	2	14-6-94	PJW	318 Main PCB	318S-	4	5	



MODS	ISSUE NO.	DATE	DRAWN BY	TITLE	DRAWING NO.	SHEET	OF	SHEETS
	2	14-6-94	PJW	318 Main PCB	318S-	5	5	