

DRAWING NUMBER ISSUE

960SB 7



TITLE: GRAPHIC EQUALISER MAIN BD

FILENAME: 960SB-7.SCH

DRAWN BY: PHOTOCAD/PSB

DATE: 18.04.95

CHECKED:

LAYERS: SHEET 1 of 5

ISSUE DETAILS  
 ISSUE 7 (FROM 2)  
 RAISED TO ISSUE 7, TO MATCH PCB ISSUE  
 NO CIRCUIT CHANGE

DIMENSIONS:

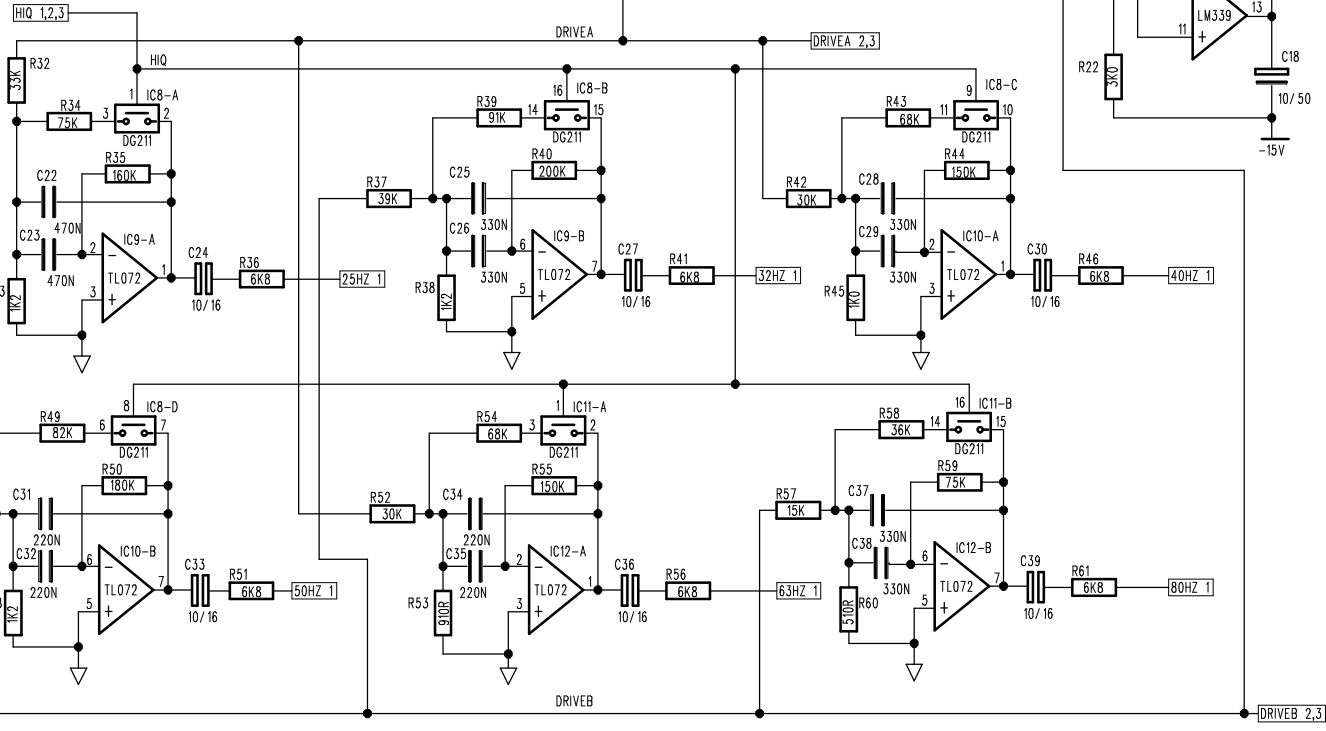
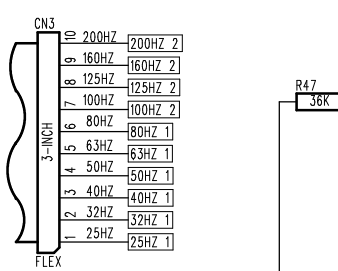
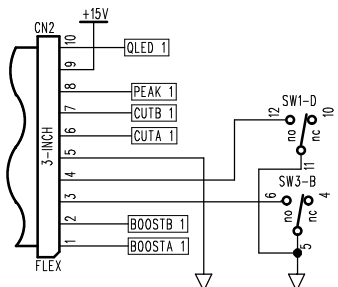
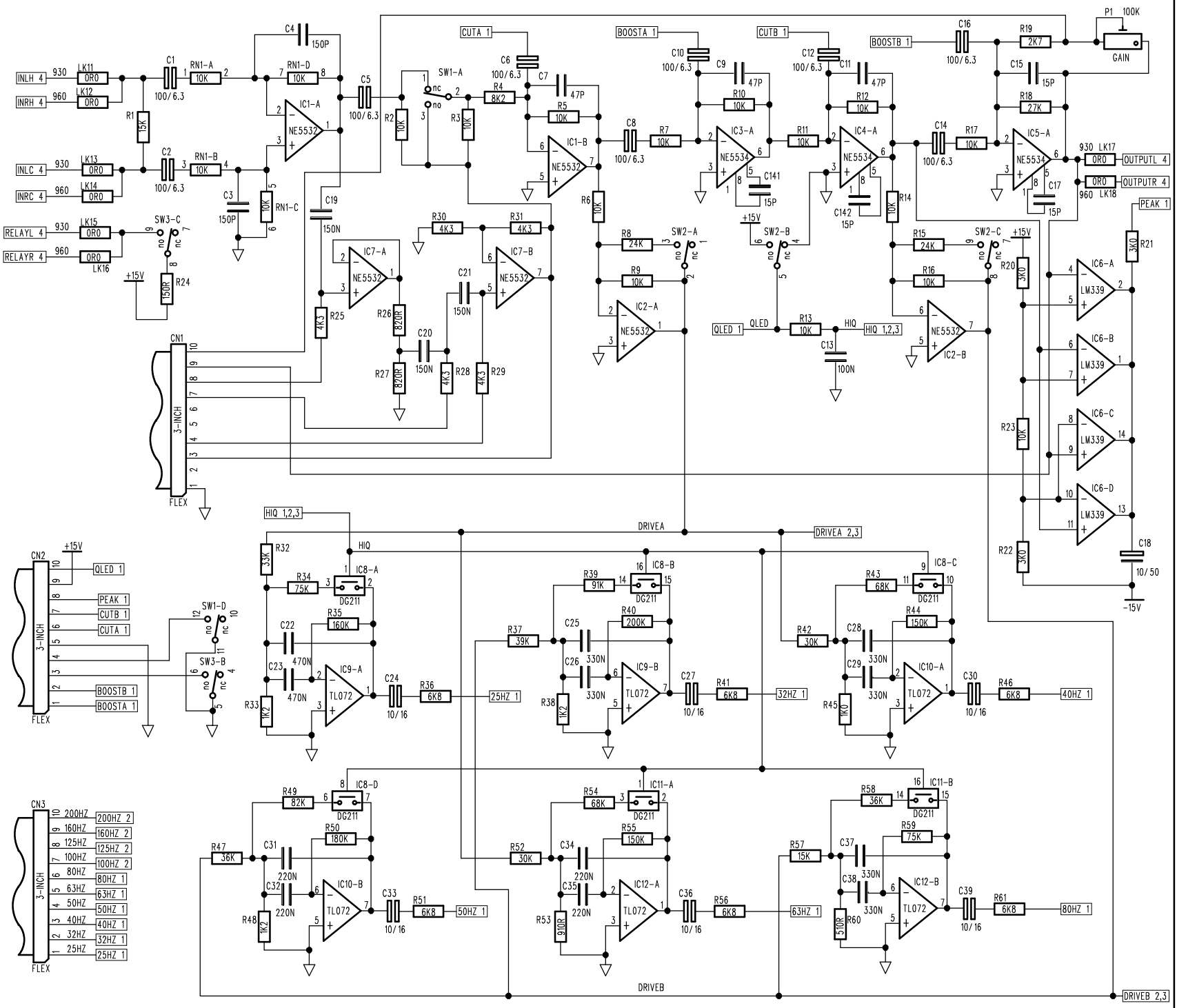
MATERIALS:

FINISH:

ARTWORK:

NOTES

THIS DRAWING IS THE COPYRIGHT OF BSS Audio Ltd. ALL REPRODUCTION AND COPYING, OTHER THAN THAT FOR LICENCED MANUFACTURES OWN INTERNAL USE, OR DISCLOSURE OF PART OR WHOLE TO A THIRD PARTY WITHOUT PRIOR WRITTEN AUTHORISATION IS IN VIOLATION OF THE COPYRIGHT. © BSS Audio Ltd 1994



DRAWING NUMBER  
**960SB**

ISSUE  
**7**



TITLE: GRAPHIC EQUALISER MAIN BD

FILENAME: 960SB-7.SCH

DRAWN BY: PHOTOCAD/PSB

DATE: 18.4.95

CHECKED:

LAYERS: SHEET 2 of 5

ISSUE DETAILS

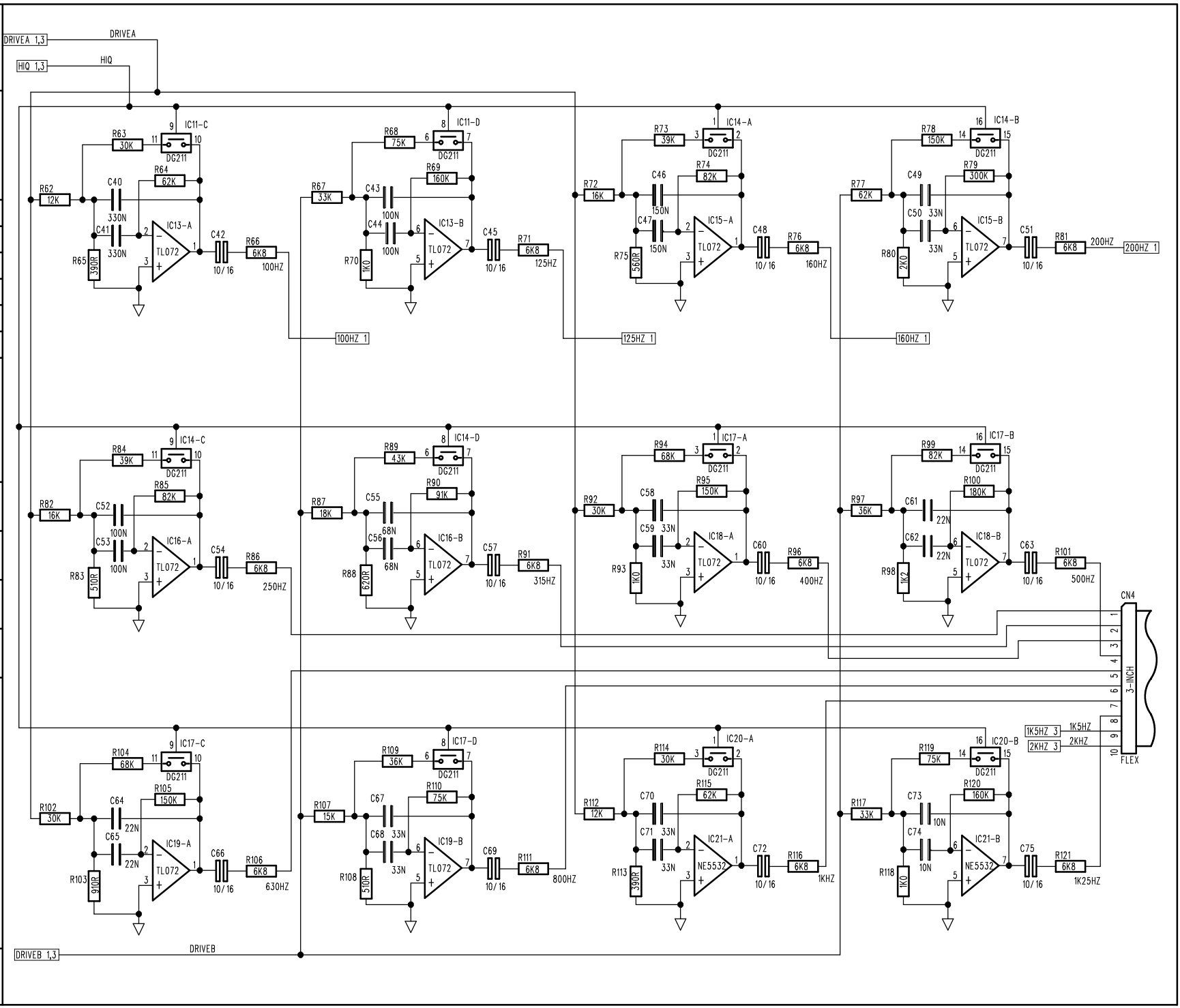
DIMENSIONS:

MATERIALS:

FINISH:

ARTWORK:

NOTES



THIS DRAWING IS THE COPYRIGHT OF BSS Audio Ltd. ALL REPRODUCTION AND COPYING, OTHER THAN THAT FOR LICENCED MANUFACTURES OWN INTERNAL USE, OR DISCLOSURE OF PART OR WHOLE TO A THIRD PARTY WITHOUT PRIOR WRITTEN AUTHORISATION IS IN VIOLATION OF THE COPYRIGHT. © BSS Audio Ltd 1994

DRAWING NUMBER

960SB

ISSUE

7



UNIT 5, MERLIN CENTRE  
ACREWOOD WAY  
ST. ALBANS  
HERTS  
AL4 0JY  
ENGLAND  
Tel 0727 845242  
Fax 0727 845277

BSS Audio Ltd.

TITLE: GRAPHIC EQUALISER MAIN BD

FILENAME: 960SB-7.SCH

DRAWN BY: PHOTOCAD/PSB

DATE: 18.04.95

CHECKED:

LAYERS: SHEET 3 of 5

ISSUE DETAILS

DIMENSIONS:

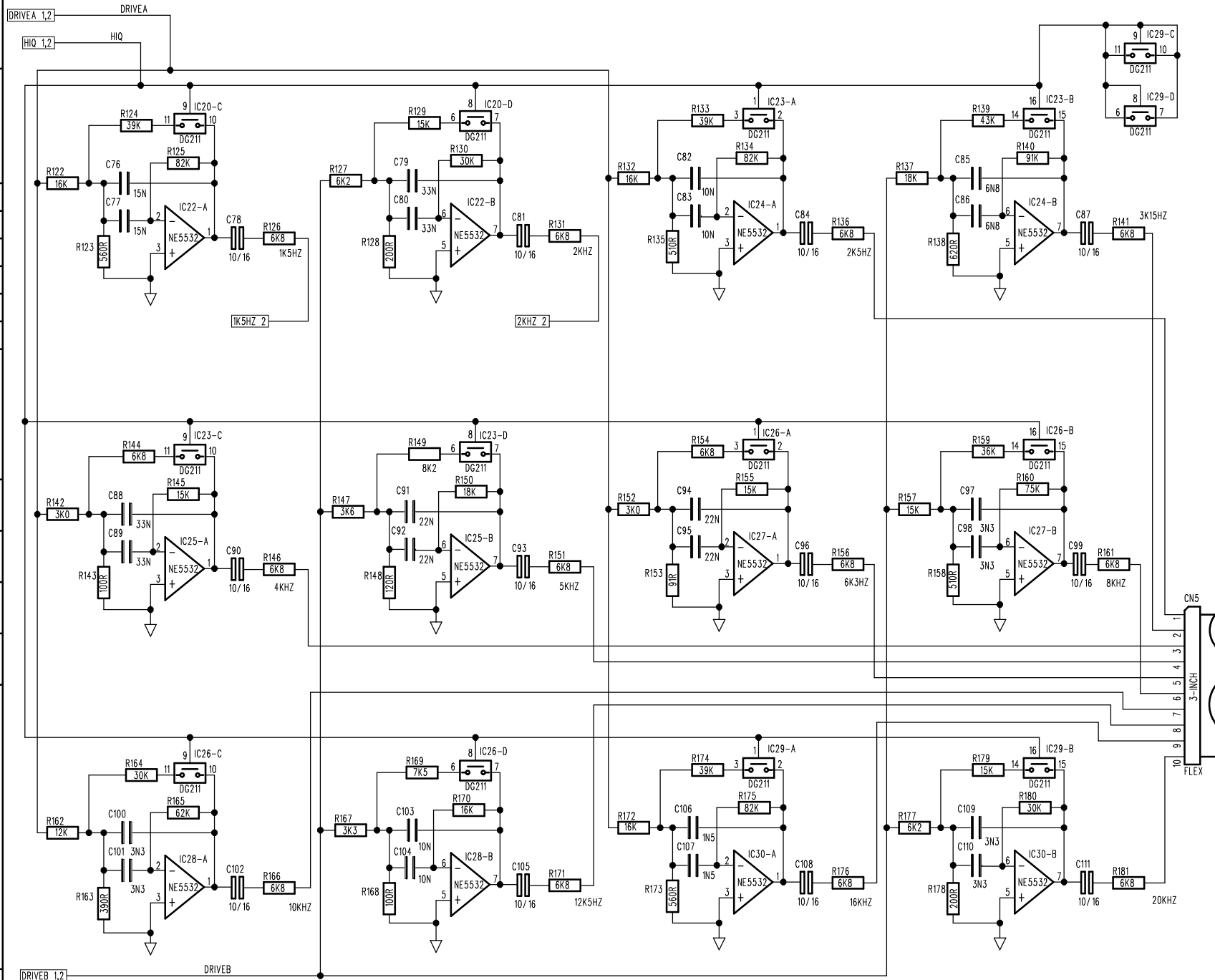
MATERIALS:

FINISH:

ARTWORK:

NOTES

THIS DRAWING IS THE COPYRIGHT OF BSS Audio Ltd. ALL REPRODUCTION AND COPYING, OTHER THAN THAT FOR LICENCED MANUFACTURES OWN INTERNAL USE, OR DISCLOSURE OF PART OR WHOLE TO A THIRD PARTY WITHOUT PRIOR WRITTEN AUTHORISATION IS IN VIOLATION OF THE COPYRIGHT. © BSS Audio Ltd 1994



DRIVEB 1,2

DRIVEB

CN5  
3-INCH  
FLEX

DRAWING NUMBER **960SB** ISSUE **7**

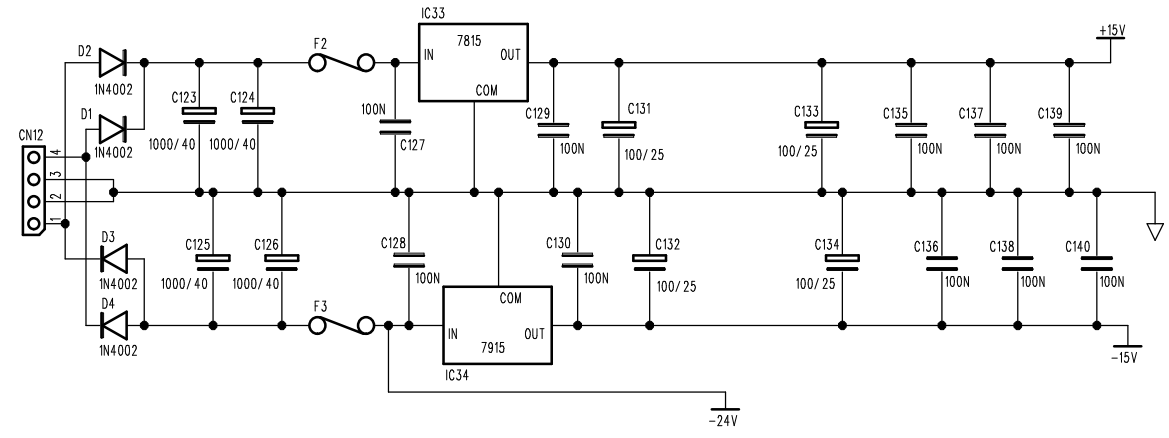
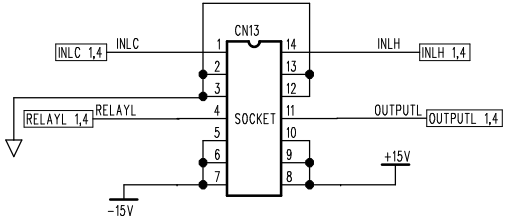
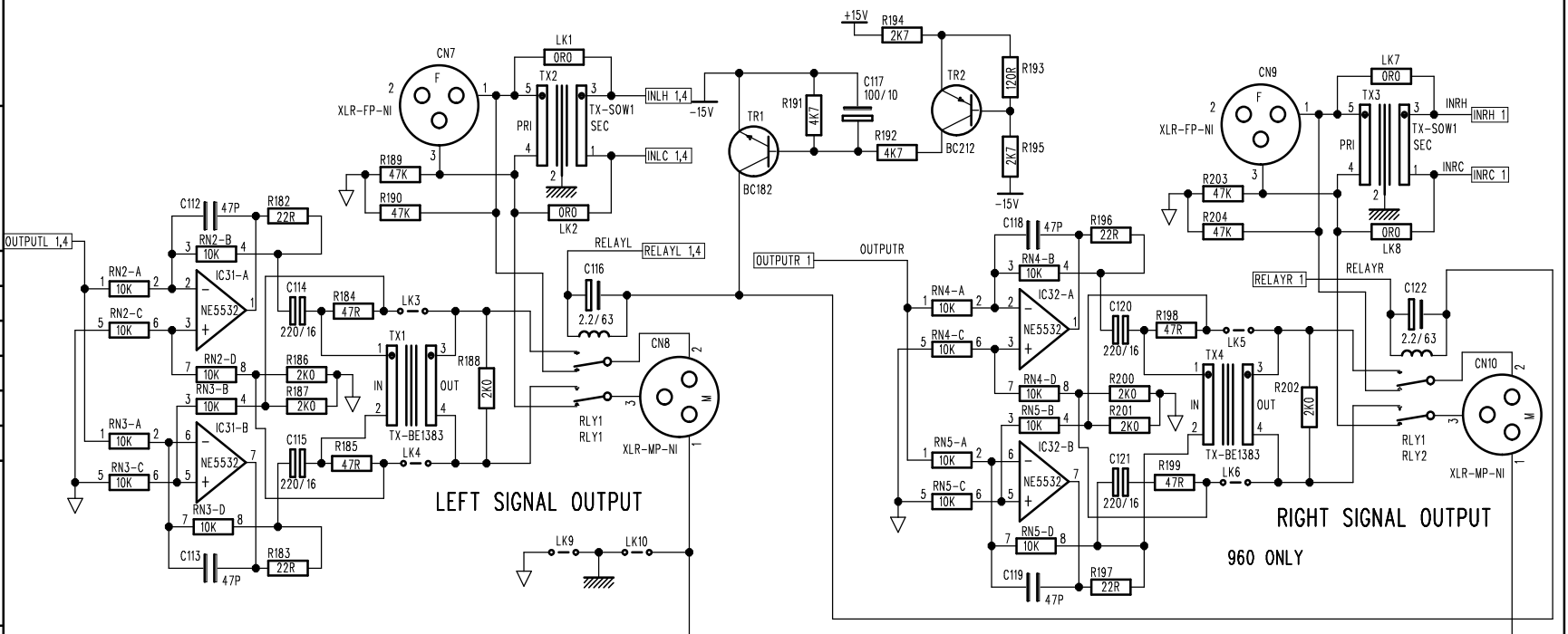
**BSS** Audio Ltd.  
 UNIT 5, MERLIN CENTRE  
 ACREWOOD WAY  
 ST. ALBANS  
 HERTS  
 AL4 0JY  
 ENGLAND  
 Tel 0727 845242  
 Fax 0727 845277

TITLE: GRAPHIC EQUALISER MAIN BD  
 FILENAME: 960SB-7.SCH  
 DRAWN BY: PHOTOCAD/PSB  
 DATE: 18.04.95  
 CHECKED:  
 LAYERS: SHEET 4 of 5  
 ISSUE DETAILS

DIMENSIONS:  
 MATERIALS:  
 FINISH:  
 ARTWORK:

NOTES

THIS DRAWING IS THE COPYRIGHT OF BSS Audio Ltd. ALL REPRODUCTION AND COPYING, OTHER THAN THAT FOR LICENCED MANUFACTURES OWN INTERNAL USE, OR DISCLOSURE OF PART OR WHOLE TO A THIRD PARTY WITHOUT PRIOR WRITTEN AUTHORISATION IS IN VIOLATION OF THE COPYRIGHT. © BSS Audio Ltd 1994



DRAWING NUMBER      ISSUE  
**960SB**                      **7**



TITLE: GRAPHIC EQUALISER MAIN BD

FILENAME: 960SB-7.SCH

DRAWN BY: PHOTCAD/PSB

DATE: 18.04.95

CHECKED:

LAYERS: SHEET 5 of 5

ISSUE DETAILS

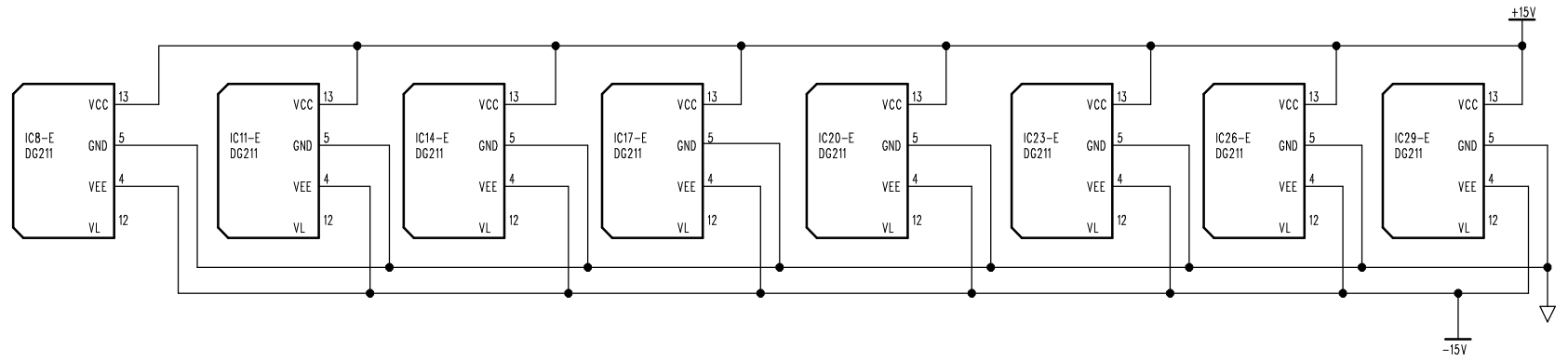
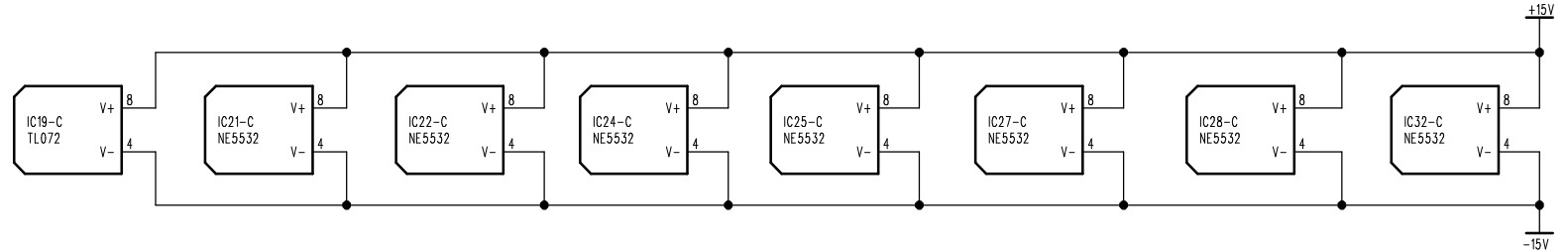
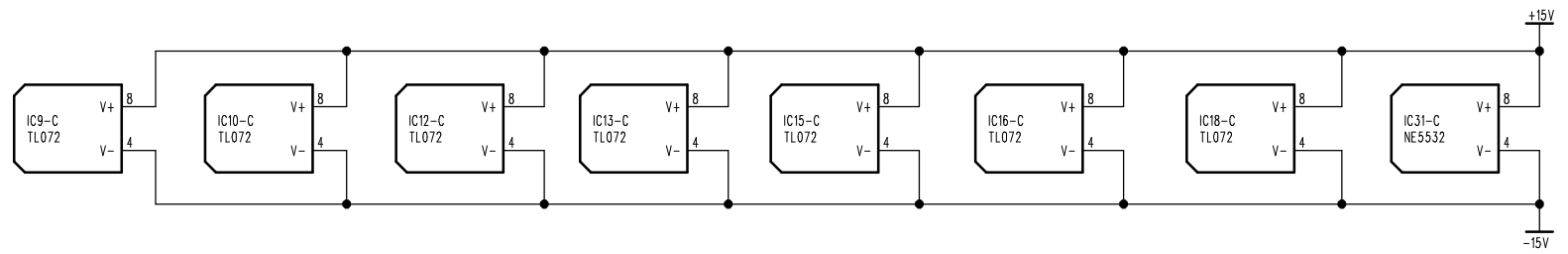
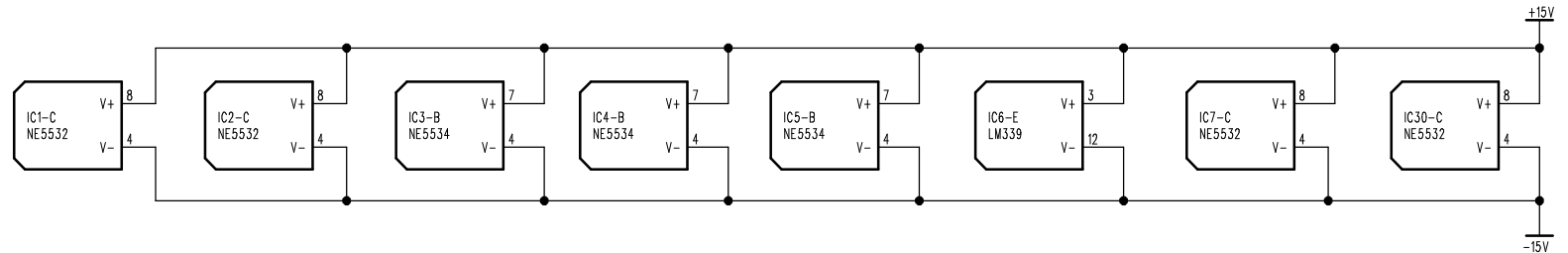
DIMENSIONS:

MATERIALS:

FINISH:

ARTWORK:

NOTES



THIS DRAWING IS THE COPYRIGHT OF BSS Audio Ltd. ALL REPRODUCTION AND COPYING, OTHER THAN THAT FOR LICENCED MANUFACTURERS OWN INTERNAL USE, OR DISCLOSURE OF PART OR WHOLE TO A THIRD PARTY WITHOUT PRIOR WRITTEN AUTHORISATION IS IN VIOLATION OF THE COPYRIGHT. © BSS Audio Ltd 1994