

DRAWING NUMBER
966SB

ISSUE
01



LINKSIDE HOUSE
SUMMIT ROAD
CRANBORNE IND EST
POTTERS BAR
HERTS
EN6 3JB

BSS Audio. Tel 01707 660667 Fax 01707 660755

TITLE: CHANNEL 1

SHEET 1 OF 4

FILENAME:

DRAWN: BPV

DATE:

CHECKED:

MATERIAL:

FINISH:

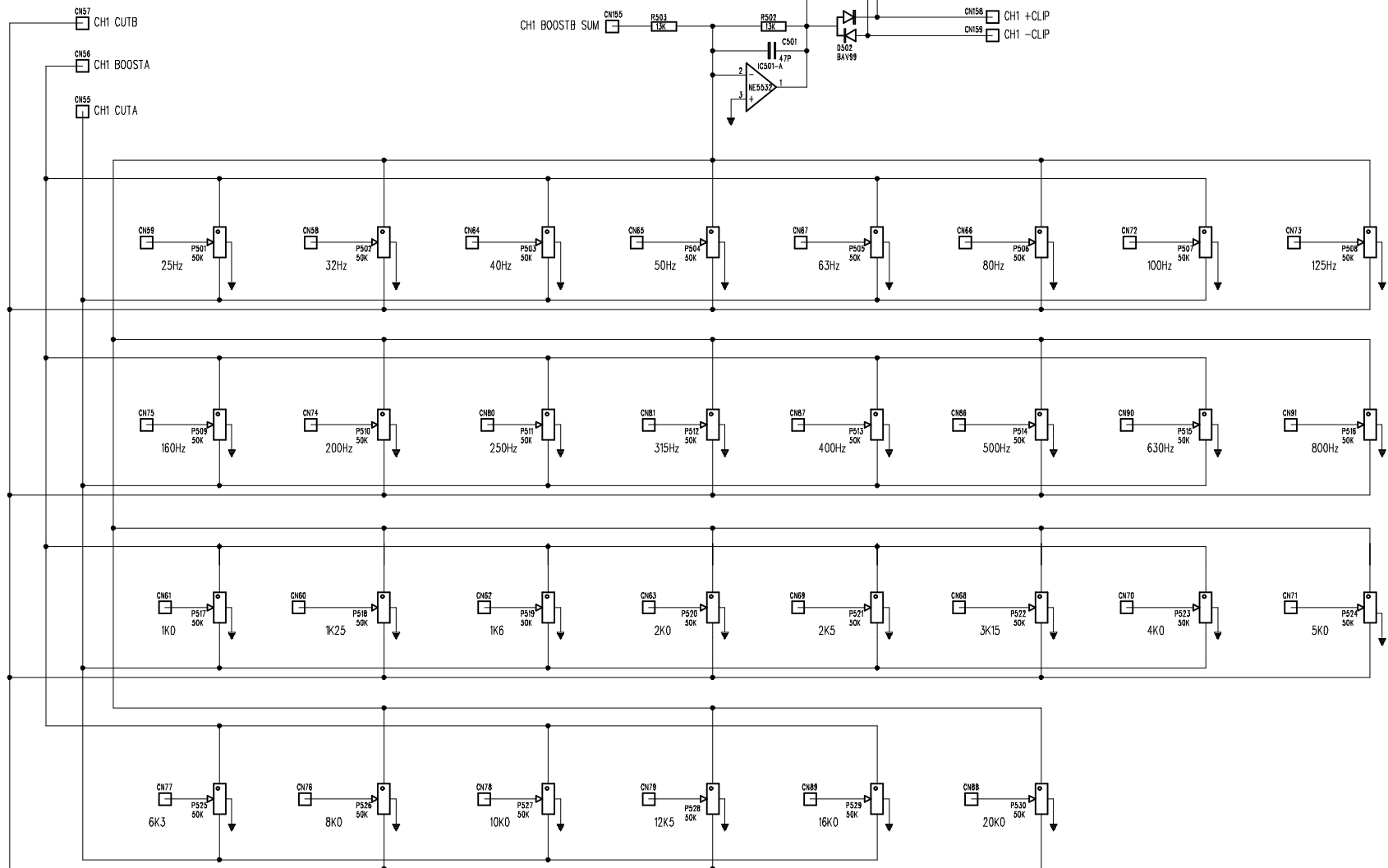
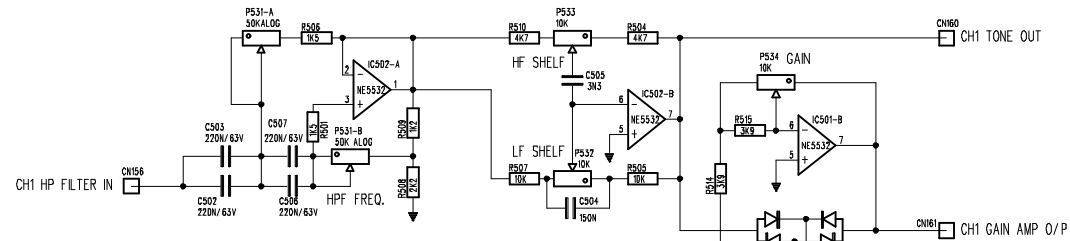
ISSUE COMMENTS:

- P. FIRST PROTOTYPE
- 1. PRODUCTION RELEASE

A2

PART NUMBER:

THIS DRAWING IS THE COPYRIGHT OF BSS Audio Ltd. ALL REPRODUCTION AND COPYING, OTHER THAN THAT FOR LICENCED MANUFACTURES OWN INTERNAL USE, OR DISCLOSURE OF PART OR WHOLE TO A THIRD PARTY WITHOUT PRIOR WRITTEN AUTHORISATION IS IN VIOLATION OF THE COPYRIGHT.
© BSS Audio Ltd 1994



DRAWING NUMBER
966SB

ISSUE
01



LINKSIDE HOUSE
SUMMIT ROAD
CRANBORNE IND EST
POTTERS BAR
HERTS
EN6 3JB

BSS Audio. Tel 01707 660667
Fax 01707 660755

TITLE: CHANNEL 2

SHEET 2 OF 4

FILENAME:

DRAWN: BPV

DATE:

CHECKED:

MATERIAL:

FINISH:

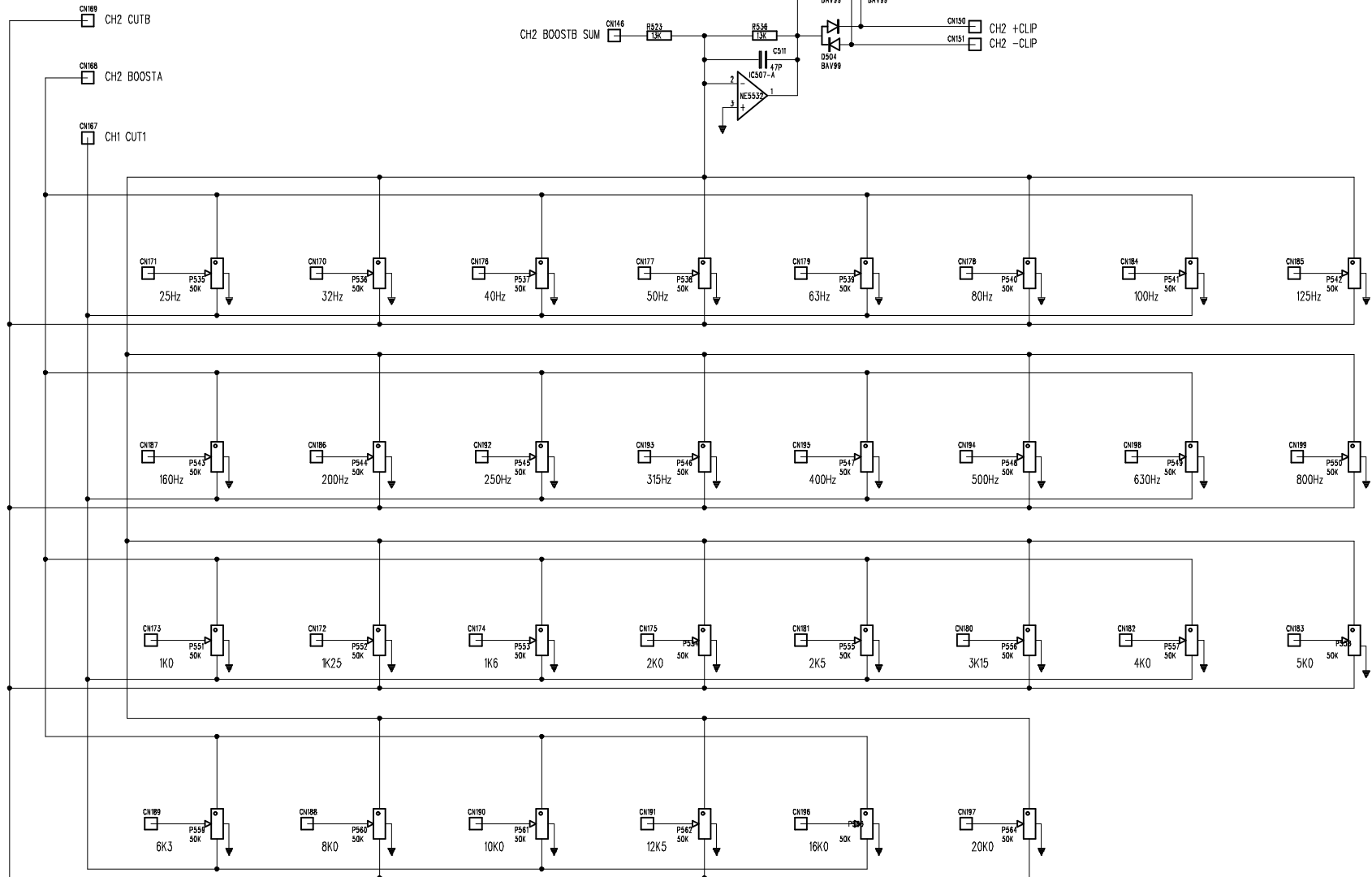
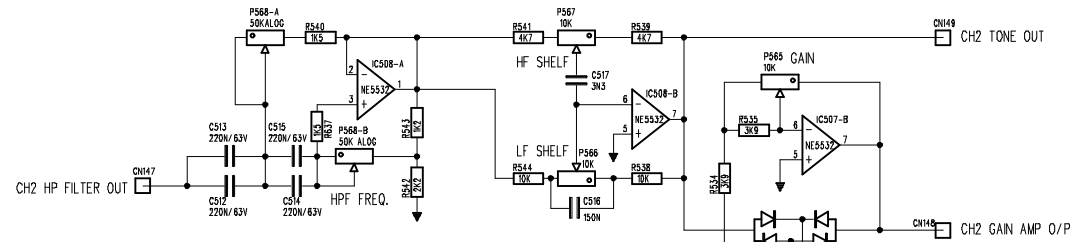
ISSUE COMMENTS:

P. FIRST PROTOTYPE
1. PRODUCTION RELEASE

A2

PART NUMBER:

THIS DRAWING IS THE COPYRIGHT OF BSS Audio Ltd. ALL REPRODUCTION AND COPYING, OTHER THAN THAT FOR LICENCED MANUFACTURES OWN INTERNAL USE, OR DISCLOSURE OF PART OR WHOLE TO A THIRD PARTY WITHOUT PRIOR WRITTEN AUTHORISATION IS IN VIOLATION OF THE COPYRIGHT.
© BSS Audio Ltd 1994



DRAWING NUMBER 966SB
 ISSUE 01

BSS
 LINKSIDE HOUSE
 SUMMIT ROAD
 CRANBORNE IND EST
 POTTERS BAR
 HERTS
 EN6 3JB
 Tel 01707 660667
 Fax 01707 660755
 BSS Audio.

TITLE: METERING

SHEET 3 OF 4

FILENAME:

DRAWN: BPV

DATE:

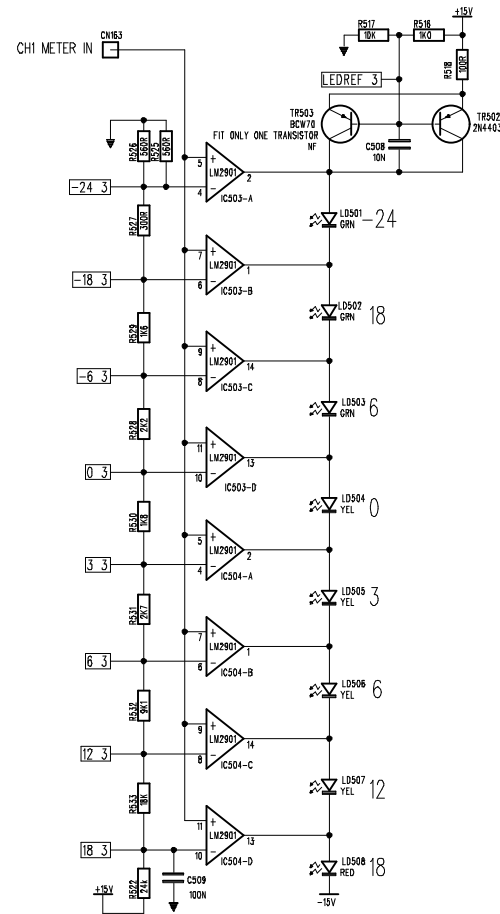
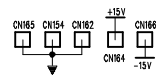
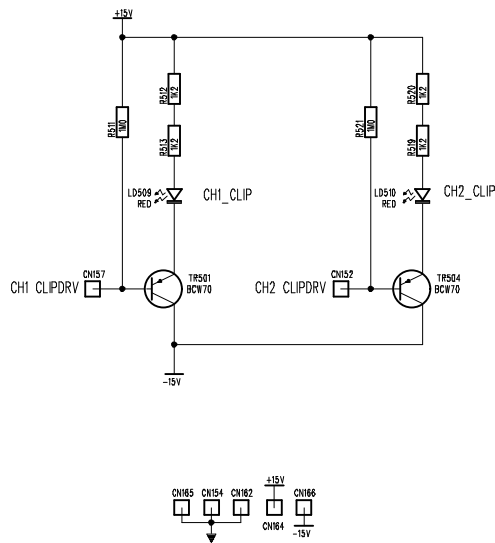
CHECKED:

MATERIAL:

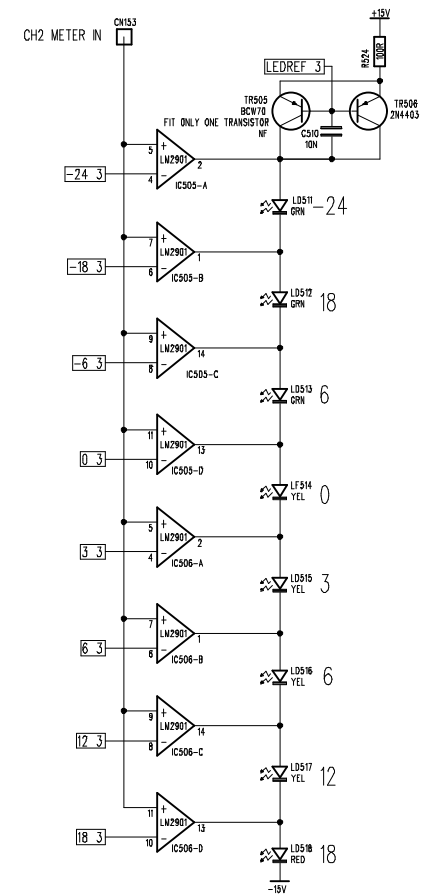
FINISH:

ISSUE COMMENTS:

- P. FIRST PROTOTYPE
- 1. PRODUCTION RELEASE



CH1 LEVEL



CH2 LEVEL

A2

PART NUMBER:

DRAWING NUMBER
966SB

ISSUE
01

BSS
LINKSIDE HOUSE
SUMMIT ROAD
CRANBORNE IND EST
POTTERS BAR
HERTS
EN6 3JB
Tel 01707 660667
Fax 01707 660755

BSS Audio.

TITLE: POWER PARTS

SHEET 4 OF 4

FILENAME:

DRAWN: BPV

DATE:

CHECKED:

MATERIAL:

FINISH:

ISSUE COMMENTS:

- P. FIRST PROTOTYPE
- 1. PRODUCTION RELEASE

A2

PART NUMBER:

THIS DRAWING IS THE COPYRIGHT OF BSS Audio Ltd. ALL REPRODUCTION AND COPYING, OTHER THAN THAT FOR LICENCED MANUFACTURES OWN INTERNAL USE, OR DISCLOSURE OF PART OR WHOLE TO A THIRD PARTY WITHOUT PRIOR WRITTEN AUTHORISATION IS IN VIOLATION OF THE COPYRIGHT.
© BSS Audio Ltd 1994

