

DRAWING NUMBER

966SA

ISSUE

02



BSS Audio.

LINKSIDE HOUSE
SUMMIT ROAD
CRANBORNE IND EST
POTTERS BAR
HERTS
EN6 3JB
Tel 01707 660667
Fax 01707 660755

TITLE: CHANNEL 1

SHEET 1 OF 4

FILENAME: 966SA-02.SCH

DRAWN: BPV

DATE: 18-07-98

CHECKED:

MATERIAL:

FINISH:

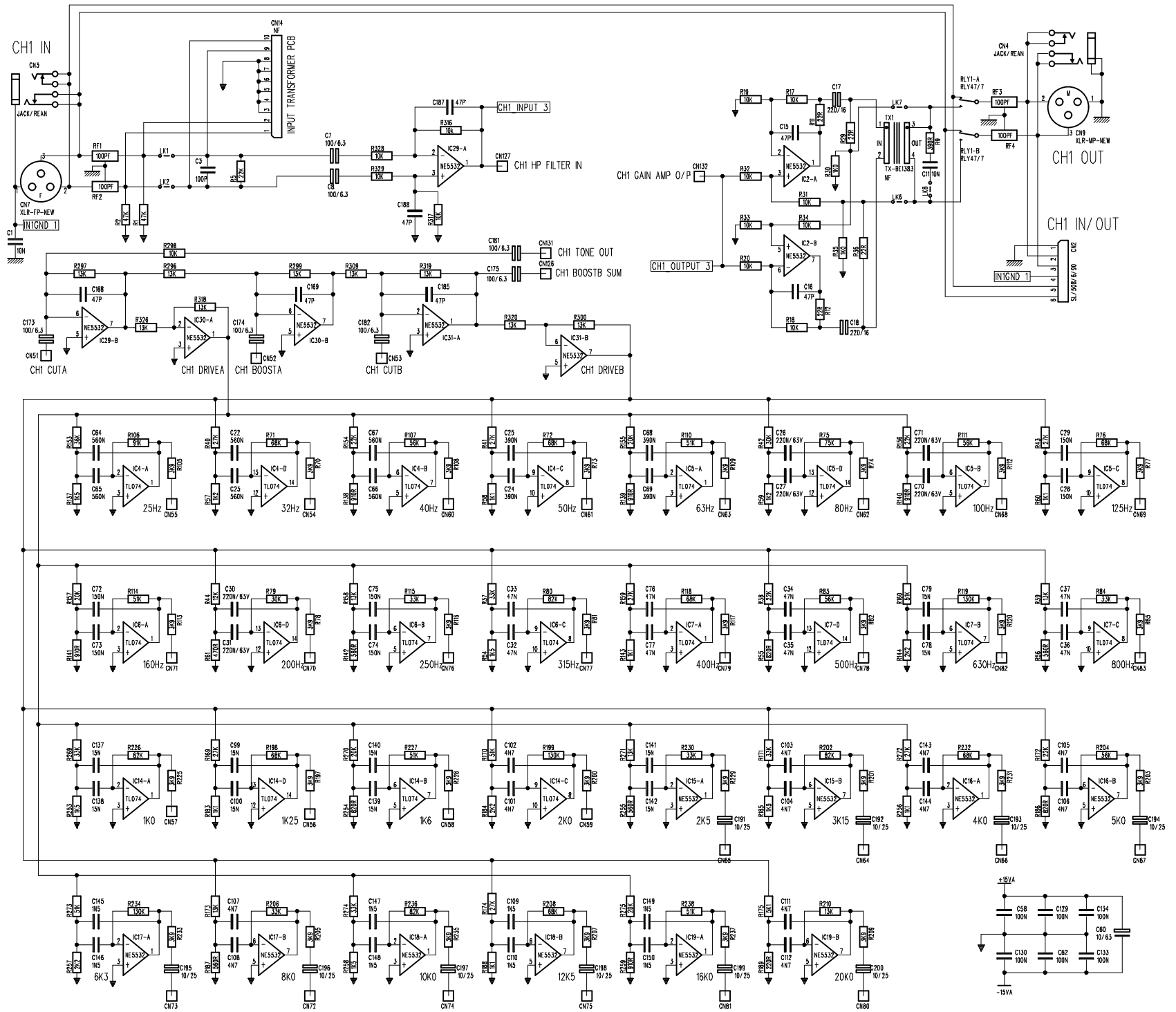
ISSUE COMMENTS:

- P. FIRST PROTOTYPE RELEASE
- 1. PRODUCTION RELEASE
- 2. ECN0081 18-07-98 PRODUCTION MODS

A2

PART NUMBER:

THIS DRAWING IS THE COPYRIGHT OF BSS Audio Ltd. ALL REPRODUCTION AND COPYING, OTHER THAN THAT FOR LICENCED MANUFACTURERS OWN INTERNAL USE, OR DISCLOSURE OF PART OR WHOLE TO A THIRD PARTY WITHOUT PRIOR WRITTEN AUTHORISATION IS IN VIOLATION OF THE COPYRIGHT. © BSS Audio Ltd 1994



DRAWING NUMBER
966SA

ISSUE
02

BSS
LINKSIDE HOUSE
SUMMIT ROAD
CRANBORNE IND EST
POTTERS BAR
HERTS
EN6 3JH
Tel 01707 660667
Fax 01707 660755

TITLE: CHANNEL 2

SHEET 2 OF 4

FILENAME: 966SA-02.SCH

DRAWN: BPV

DATE: 18-07-98

CHECKED:

MATERIAL:

FINISH:

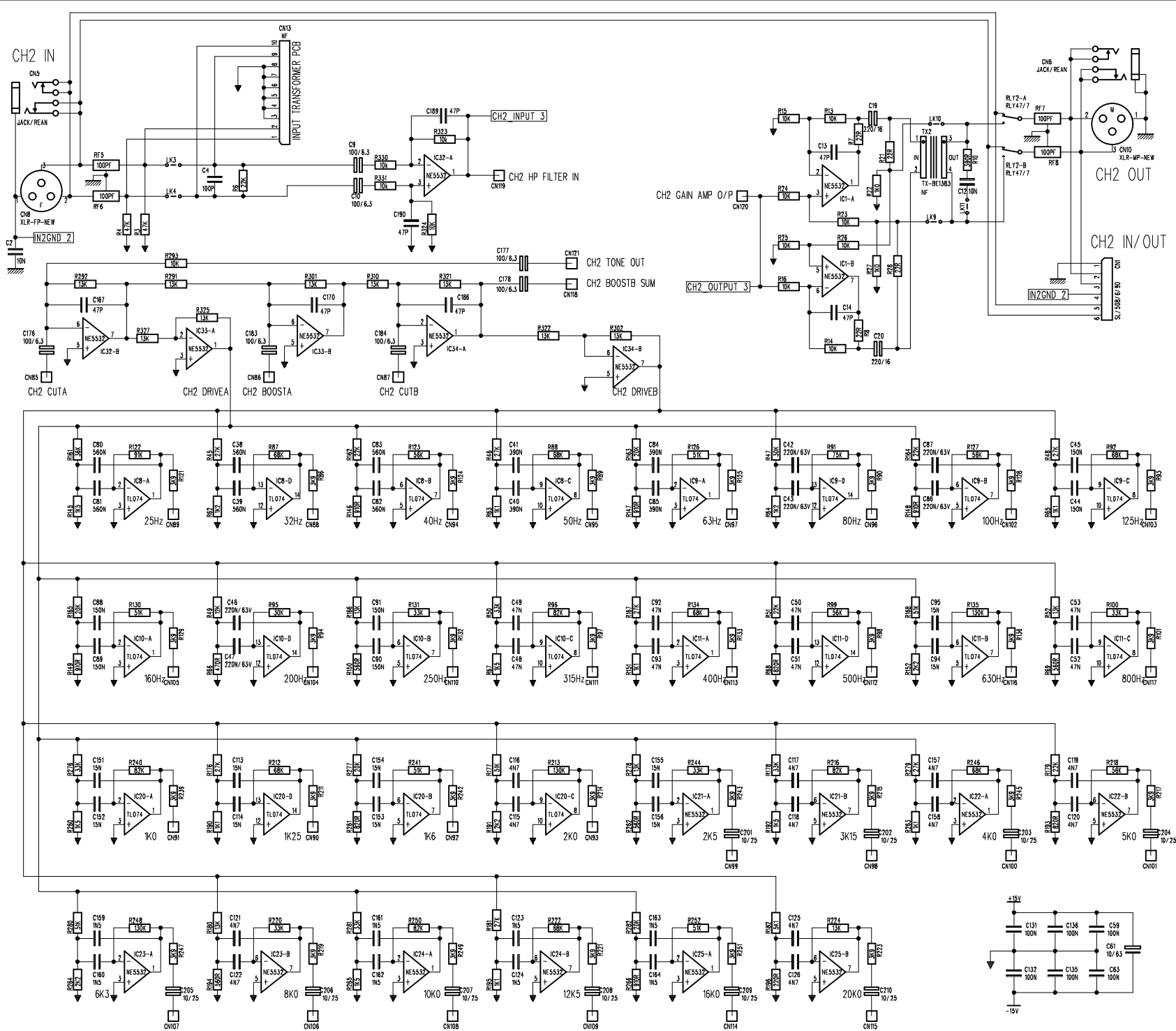
ISSUE COMMENTS:

- P. FIRST PROTOTYPE RELEASE
- 1. PRODUCTION RELEASE
- 2. ECN0081 18-07-98 PRODUCTION MODS

A2

PART NUMBER:

THIS DRAWING IS THE COPYRIGHT OF BSS Audio Ltd. ALL REPRODUCTION AND COPYING, OTHER THAN THAT FOR LICENCED MANUFACTURERS OWN INTERNAL USE, OR DISCLOSURE OF PART OR WHOLE TO A THIRD PARTY WITHOUT PRIOR WRITTEN AUTHORISATION IS IN VIOLATION OF THE COPYRIGHT. © BSS Audio Ltd 1994



DRAWING NUMBER
966SA

ISSUE
02



LINKSIDE HOUSE
SUMMIT ROAD
CRANBORNE IND EST
POTTERS BAR
HERTS
EN6 3JB
Tel 01707 660667
Fax 01707 660755

TITLE: **PSU & MISC.**

SHEET 3 OF 4

FILENAME: **966SA-02.SCH**

DRAWN: **BPV**

DATE: **18-07-98**

CHECKED:

MATERIAL:

FINISH:

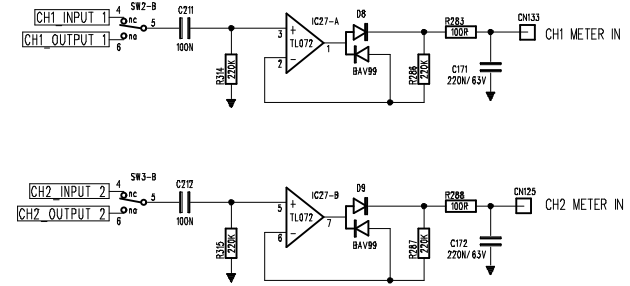
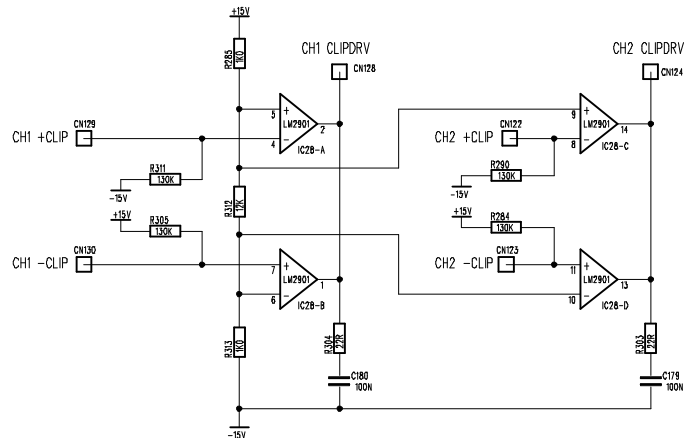
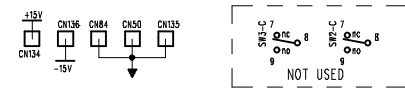
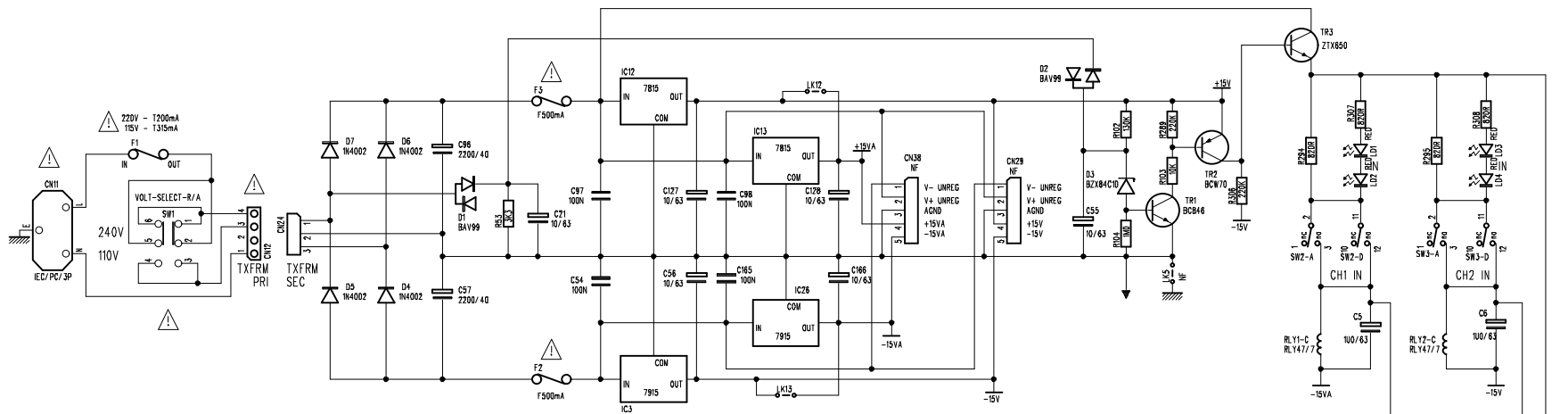
ISSUE COMMENTS:

- P. FIRST PROTOTYPE RELEASE
- 1. PRODUCTION RELEASE
- 2. ECN0081 18-07-98 PRODUCTION MODS

A2

PART NUMBER:

THIS DRAWING IS THE COPYRIGHT OF BSS Audio Ltd. ALL REPRODUCTION AND COPYING, OTHER THAN THAT FOR LICENCED MANUFACTURERS OWN INTERNAL USE, OR DISCLOSURE OF PART OR WHOLE TO A THIRD PARTY WITHOUT PRIOR WRITTEN AUTHORISATION IS IN VIOLATION OF THE COPYRIGHT.
© BSS Audio Ltd 1994



DRAWING NUMBER
966SA

ISSUE
02

BSS
LINKSIDE HOUSE
SUMMIT ROAD
CRANBORNE IND EST
POTTERS BAR
HERTS
EN6 3JB
Tel 01707 660667
Fax 01707 660755

TITLE: POWER PARTS

SHEET 4 OF 4

FILENAME: 966SA-02.SCH

DRAWN: BPV

DATE: 18-07-98

CHECKED:

MATERIAL:

FINISH:

ISSUE COMMENTS:

- P. FIRST PROTOTYPE RELEASE
- 1. PRODUCTION RELEASE
- 2. ECN0081 18-07-98 PRODUCTION MODS

A2

PART NUMBER:

THIS DRAWING IS THE COPYRIGHT OF BSS Audio Ltd. ALL REPRODUCTION AND COPYING, OTHER THAN THAT FOR LICENCED MANUFACTURES OWN INTERNAL USE, OR DISCLOSURE OF PART OR WHOLE TO A THIRD PARTY WITHOUT PRIOR WRITTEN AUTHORISATION IS IN VIOLATION OF THE COPYRIGHT.
© BSS Audio Ltd 1994

