

DRAWING NUMBER **355SA** ISSUE **3G**

LINKSIDE HOUSE
SUMMIT ROAD
CRANBORNE IND EST
POTTERS BAR
HERTS
EN6 3JH
Tel 01707 660667
Fax 01707 660755

TITLE: **PROCESSOR MODULE**

SHEET 4

FILENAME: **355SA3G.SCH**

DRAWN: **AW**

DATE: **30-04-98**

CHECKED:

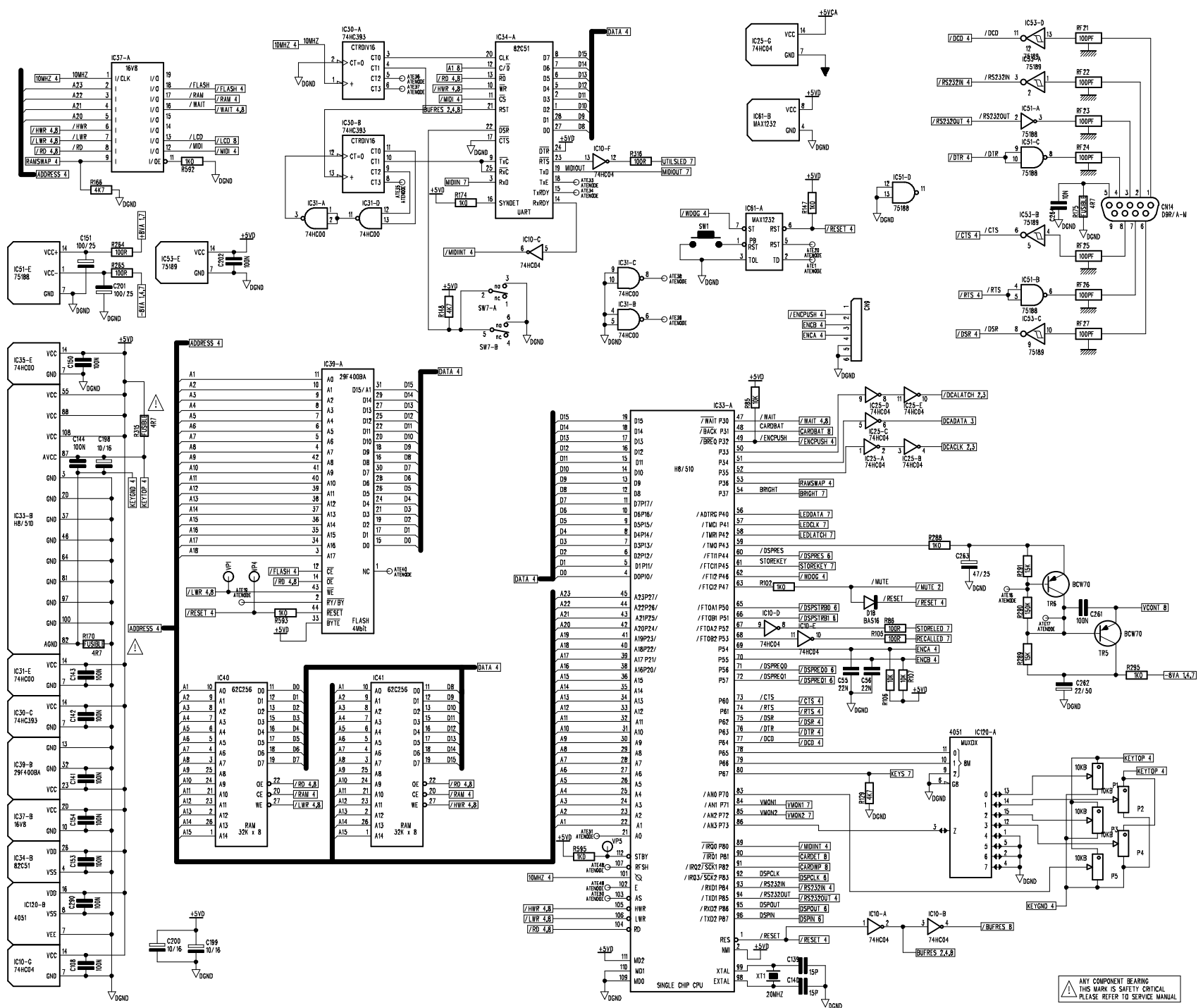
MATERIAL:

FINISH:

- ISSUE COMMENTS:
- 2. ECN6124 28-01-97
 - 3. ECN6186 16-04-97
 - 3A. ECN6216 19-05-97
 - 3B. ECN6224 18-06-97
 - 3D. ECN0067 30-04-98
 - 3D. ECN0124 04-12-98
 - 3e. ECN0129 21-01-99
 - 3f. ECN0158 28-04-99
 - 3G.ECN0205 03/09/99

A2
PART NUMBER:

THIS DRAWING IS THE COPYRIGHT OF BSS Audio Ltd. ALL REPRODUCTION AND COPYING, OTHER THAN THAT FOR LICENCED MANUFACTURERS OWN INTERNAL USE, OR DISCLOSURE OF PART OR WHOLE TO A THIRD PARTY WITHOUT PRIOR WRITTEN AUTHORISATION IS IN VIOLATION OF THE COPYRIGHT.
© BSS Audio Ltd 1994



ANY COMPONENT BEARING THIS MARK IS SAFETY CRITICAL PLEASE REFER TO SERVICE MANUAL

DRAWING NUMBER
355SA

ISSUE
3G



TITLE: **ADC MODULE**

SHEET 5

FILENAME: **355SA3G.SCH**

DRAWN: **AW**

DATE: **30-04-98**

CHECKED:

MATERIAL:

FINISH:

ISSUE COMMENTS:

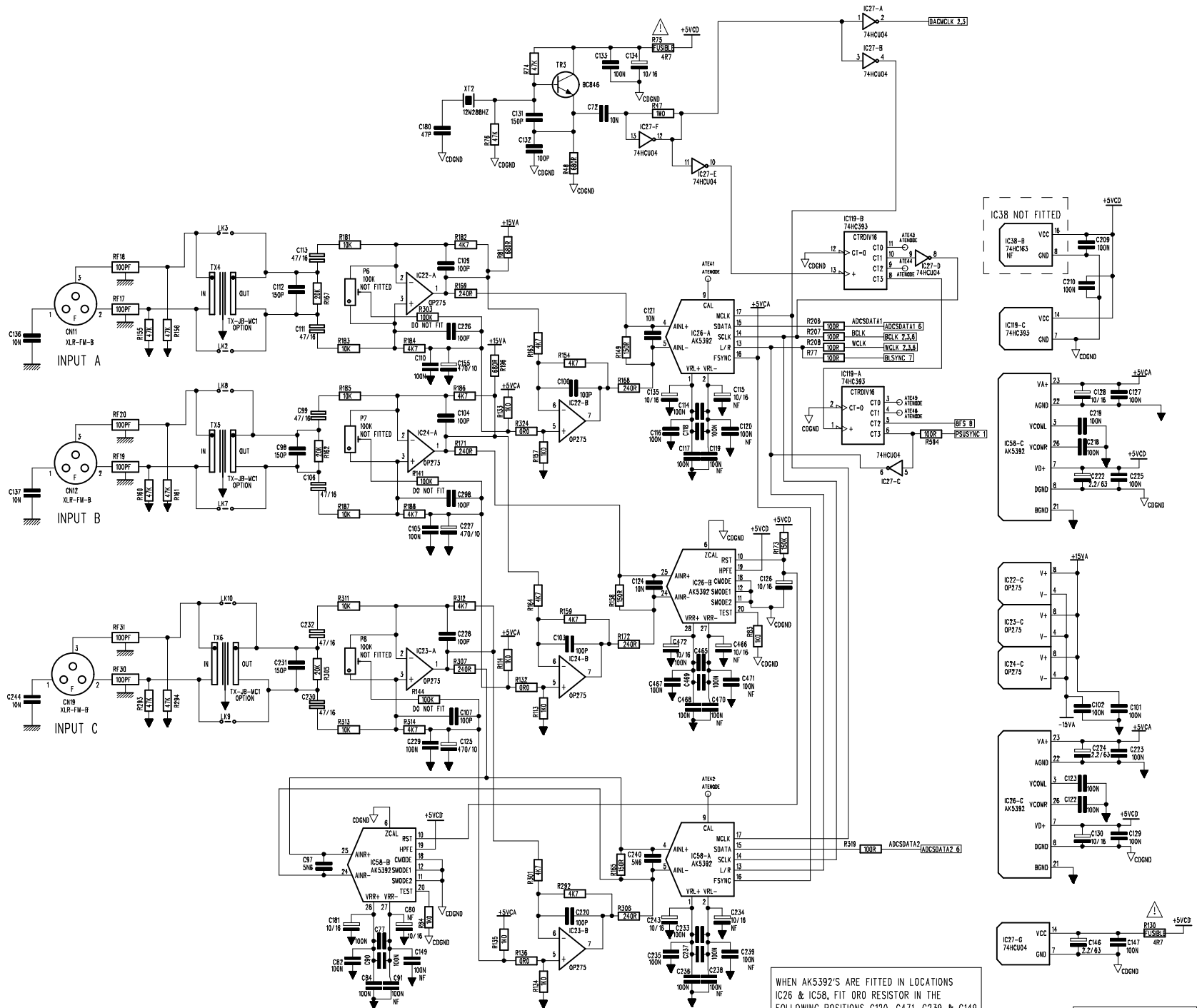
- 2. ECN6124 28-01-97
- 3. ECN6186 16-04-97
- 3A. ECN6216 19-05-97
- 3B. ECN6224 18-06-97
- 3C. ECN0067 30-04-98
- 3D. ECN0124 04-12-98
- 3e. ECN0129 21-01-99
- 3f. ECN0158 28-04-99
- 3G. ECN0205 03/09/99

A2

PART NUMBER:

THIS DRAWING IS THE COPYRIGHT OF BSS Audio Ltd. ALL REPRODUCTION AND COPYING, OTHER THAN THAT FOR LICENCED MANUFACTURERS OWN INTERNAL USE, OR DISCLOSURE OF PART OR WHOLE TO A THIRD PARTY WITHOUT PRIOR WRITTEN AUTHORISATION IS IN VIOLATION OF THE COPYRIGHT.

© BSS Audio Ltd 1994



WHEN AK5392'S ARE FITTED IN THE
IC26 & IC58, FIT 0R0 RESISTOR IN THE
FOLLOWING POSITIONS C120, C471, C239 & C149

ANY COMPONENT BEARING
THIS MARK IS SAFETY CRITICAL
PLEASE REFER TO SERVICE MANUAL