

DRAWING NUMBER
355SA

ISSUE
3G

BSS Audio.

LINKSIDE HOUSE
SUMMIT ROAD
CRANBORNE IND EST
POTTERS BAR
HERTS
EN6 3JH
Tel 01707 660667
Fax 01707 660755

TITLE: **DSP MODULE**

SHEET **6**

FILENAME: **355SA3G.SCH**

DRAWN: **AW**

DATE: **30-04-98**

CHECKED:

MATERIAL:

FINISH:

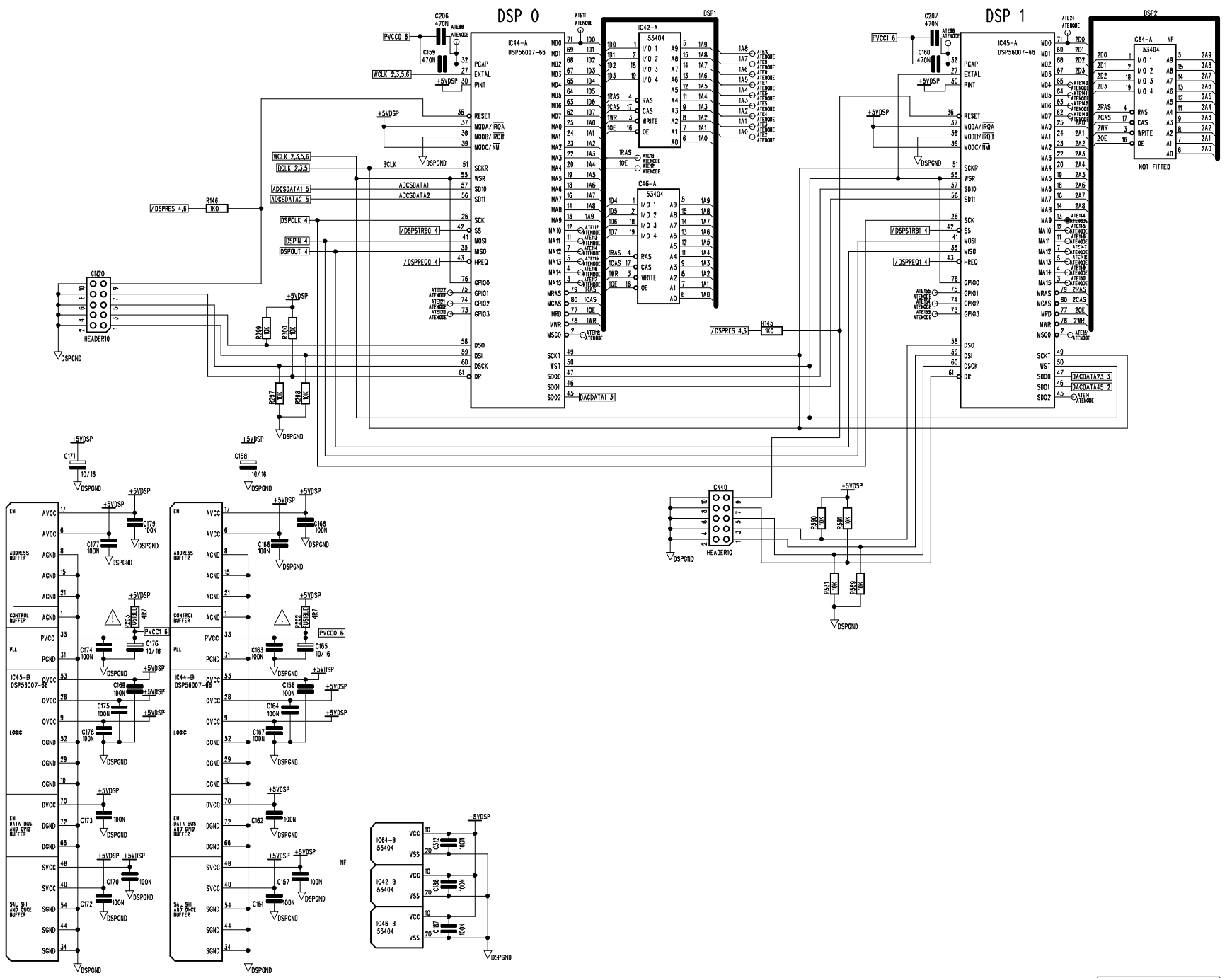
ISSUE COMMENTS:

- 2. ECN6124 28-01-97
- 3. ECN6186 16-04-97
- 3A. ECN6216 19-05-97
- 3B. ECN6224 18-06-97
- 3C. ECN0067 30-04-98
- 3D. ECN0124 04-12-98
- 3E. ECN0129 21-01-99
- 3F. ECN0158 28-04-99
- 3G. ECN0205 03/09/99

A2

PART NUMBER:

THIS DRAWING IS THE COPYRIGHT OF BSS Audio Ltd. ALL REPRODUCTION AND COPYING, OTHER THAN THAT FOR LICENCED MANUFACTURERS OWN INTERNAL USE, OR DISCLOSURE OF PART OR WHOLE TO A THIRD PARTY WITHOUT PRIOR WRITTEN AUTHORISATION IS IN VIOLATION OF THE COPYRIGHT.
© BSS Audio Ltd 1994



ANY COMPONENT BEARING THIS MARK IS SAFETY CRITICAL. PLEASE REFER TO SERVICE MANUAL.

DRAWING NUMBER ISSUE
355SA 3G



LINKSIDE HOUSE
 SUMMIT ROAD
 CRANBORNE IND EST
 POTTERS BAR
 HERTS
 EN6 3JB
 Tel 01707 660667
 Fax 01707 660755

TITLE:
POWER & PERIPHERALS

SHEET 7
 FILENAME: **355SA3G.SCH**

DRAWN: **AW**

DATE: **30-04-98**

CHECKED:

MATERIAL:

FINISH:

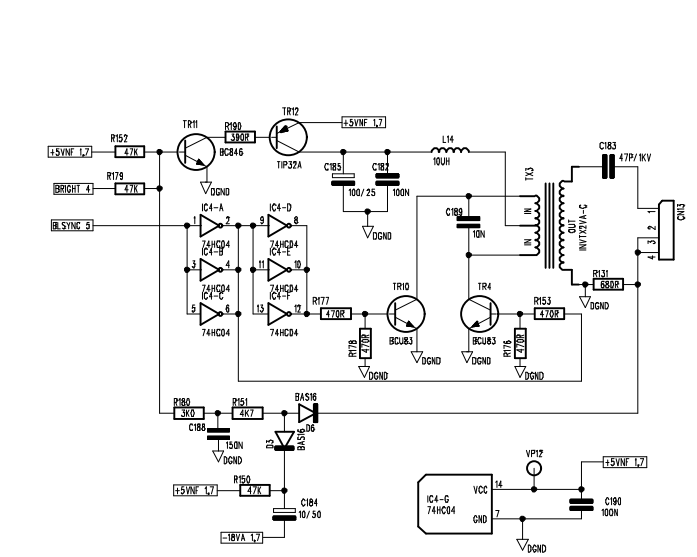
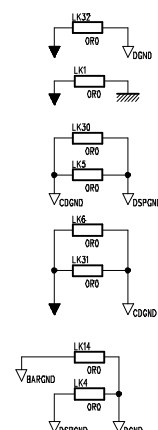
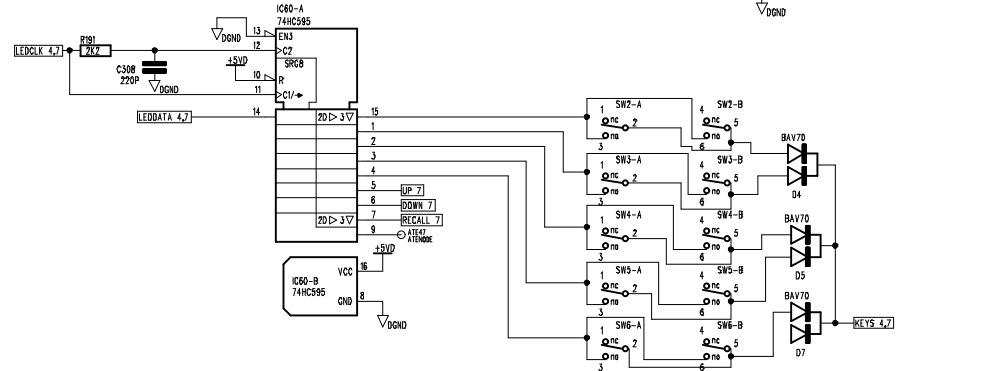
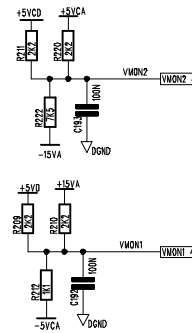
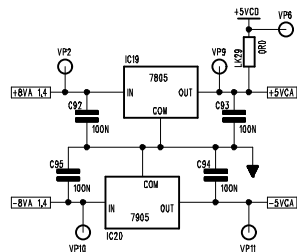
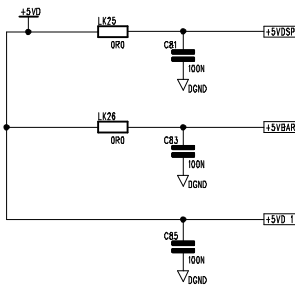
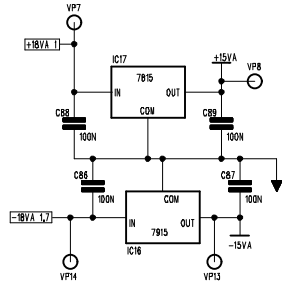
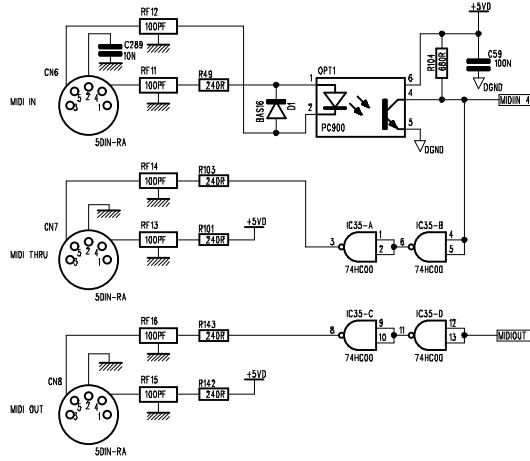
ISSUE COMMENTS:

- 2. ECN6124 28-01-97
- 3. ECN6186 16-04-97
- 3A. ECN6216 19-05-97
- 3B. ECN6224 18-06-97
- 3C. ECN0067 30-04-98
- 3D. ECN0124 04-12-98
- 3e. ECN0129 21-01-99
- 3f. ECN0158 28-04-99
- 3G. ECN0205 03/09/99

A2

PART NUMBER:

THIS DRAWING IS THE COPYRIGHT OF BSS Audio Ltd. ALL REPRODUCTION AND COPYING, OTHER THAN THAT FOR LICENCED MANUFACTURERS OWN INTERNAL USE, OR DISCLOSURE OF PART OR WHOLE TO A THIRD PARTY WITHOUT PRIOR WRITTEN AUTHORISATION IS IN VIOLATION OF THE COPYRIGHT.
 © BSS Audio Ltd 994



DRAWING NUMBER ISSUE
355SA 3G



LINKSIDE HOUSE
 SUMMIT ROAD
 CRANBORNE IND EST
 POTTERS BAR
 HERTS
 EN6 3JB

BSS Audio. Tel 01707 660667 Fax 01707 660755

TITLE: **CARD MODULE**

SHEET 8

FILENAME: **355SA3G.SCH**

DRAWN: **AW**

DATE: **30-04-98**

CHECKED:

MATERIAL:

FINISH:

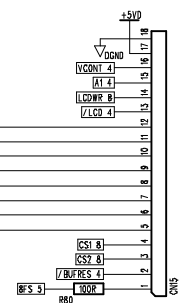
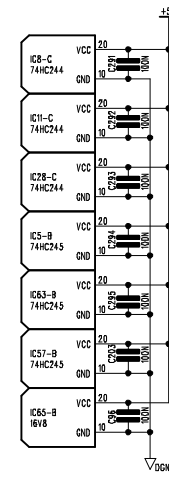
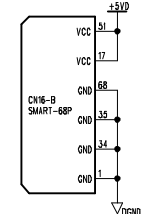
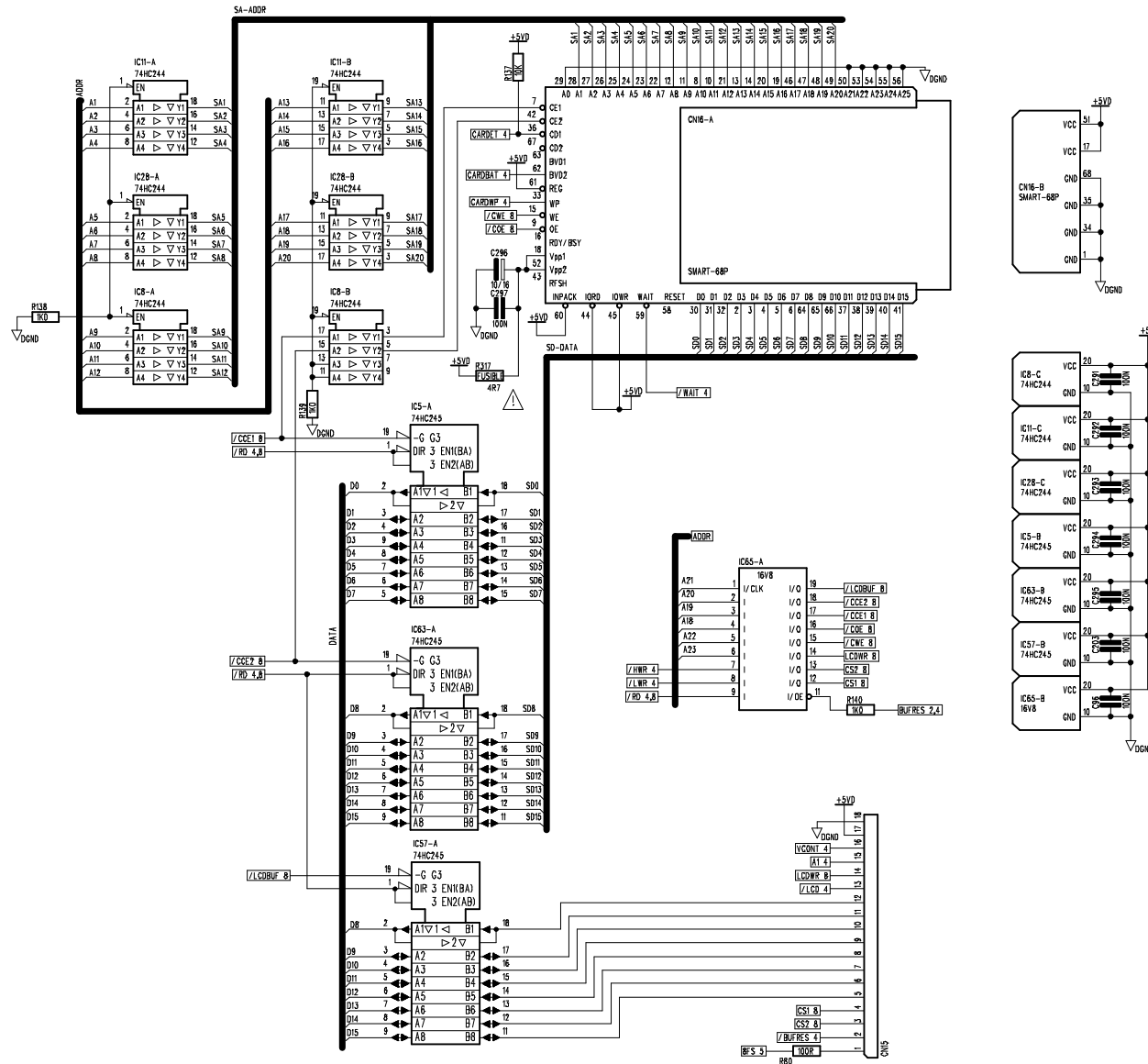
ISSUE COMMENTS:

- 2. ECN6124 28-01-97
- 3. ECN6186 16-04-97
- 3A. ECN6216 19-05-97
- 3B. ECN6224 18-06-97
- 3C. ECN0067 30-04-98
- 3D. ECN0124 04-12-98
- 3e. ECN0129 21-01-99
- 3f. ECN0158 28-04-99
- 3G.ECN0205 03/09/99

A2

PART NUMBER:

THIS DRAWING IS THE COPYRIGHT OF BSS Audio Ltd. ALL REPRODUCTION AND COPYING, OTHER THAN THAT FOR LICENCED MANUFACTURERS OWN INTERNAL USE, OR DISCLOSURE OF PART OR WHOLE TO A THIRD PARTY WITHOUT PRIOR WRITTEN AUTHORISATION IS IN VIOLATION OF THE COPYRIGHT.
 © BSS Audio Ltd 1994



ANY COMPONENT BEARING THIS MARK IS SAFETY CRITICAL. PLEASE REFER TO SERVICE MANUAL.