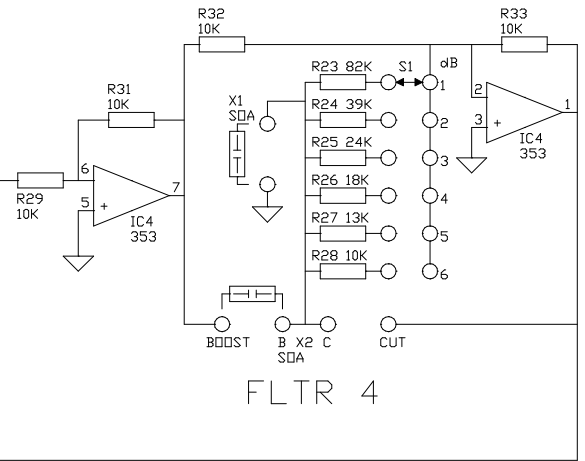
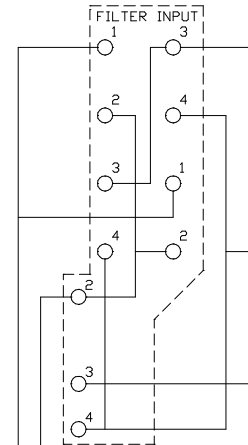
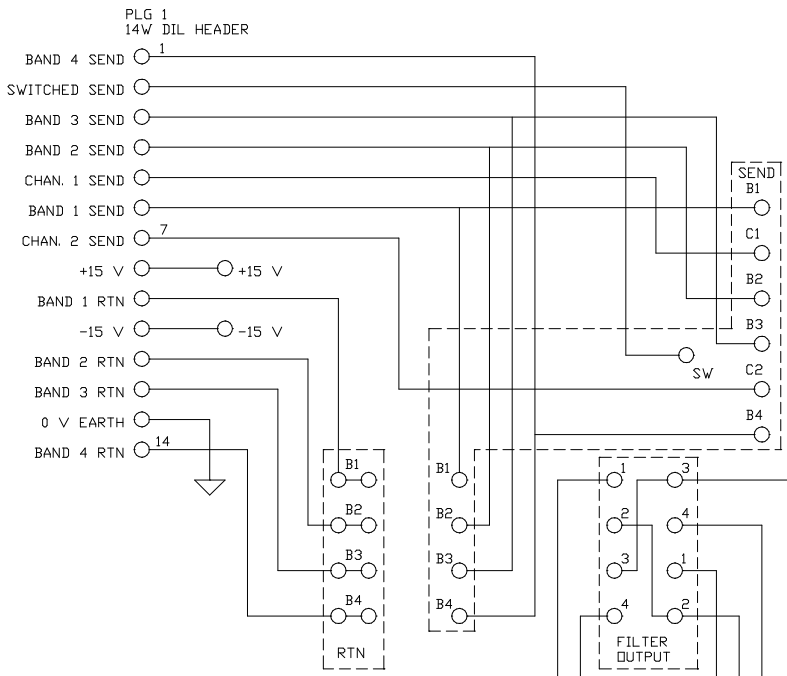
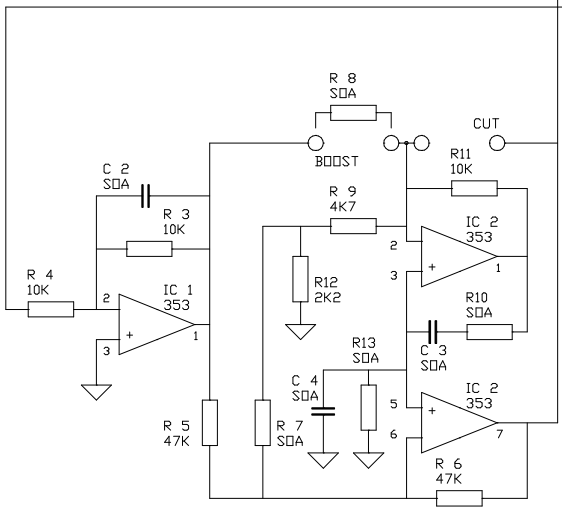


File # S360E2.DWG  
 Page 1 of 1  
 Orig. plot 9/8/92  
 Last plot 1/7/96  
 Mods.  
 R23 & 34 CHANGED FROM 75K TO 82K, R27 & R38 FROM 12K TO 13K.  
 ECN No. 6002

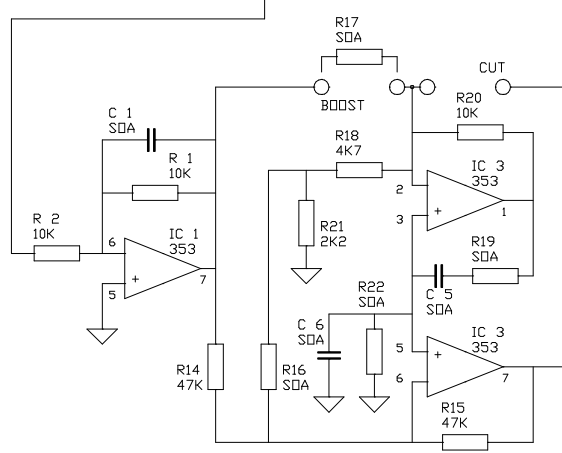
PRODUCT 360E ISSUE 2  
 PAGE  
 FDS360 CUSTOM EQ  
 2x PARA + 2x SHELVE



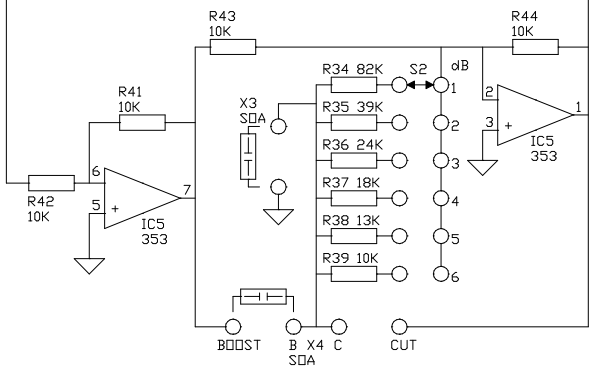
FLTR 4



FLTR 1



FLTR 2



FLTR 3