

SCHEMATIC NUMBER ISSUE

310S-132



UNIT 5, MERLIN CENTRE
 ACREWOOD WAY,
 ST. ALBANS
 HERTS. AL4 0JY
 ENGLAND
 Phone 0727 45242
 Fax 0727 45277

BSS Audio Ltd.

TITLE FDS-310 INPUT STAGES AND PSU

FILENAME 310\310S-132

DRAWN PJW/NOJ

DATE 07/04/92

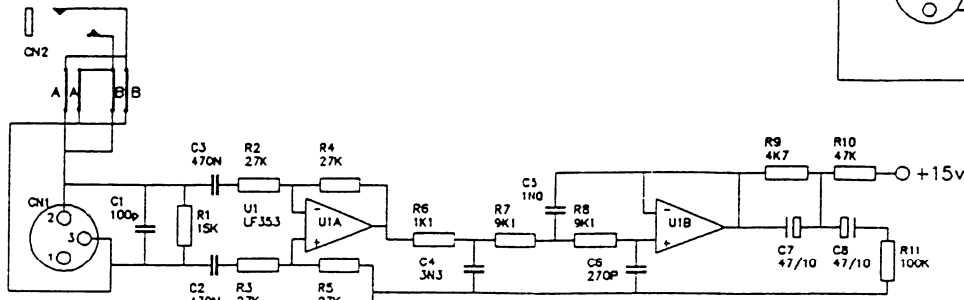
CHECKED -

THIS IS PAGE 1 OF 3 PAGE(S)

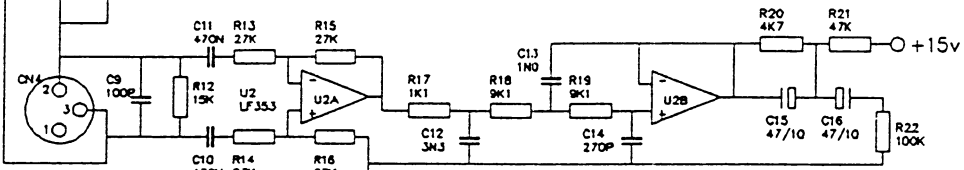
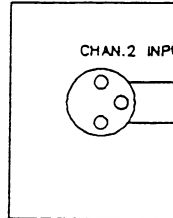
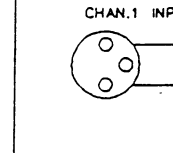
ISSUE COMMENTS

07/04/92 DRAWING RAISED TO ISSUE 2 IN LINE WITH
 310S-232 NO MODIFICATIONS

INPUT XLR TO PHONEJACK LINKING
 "A" LINKS PIN 3 TO TIP, AND PIN 2 TO RING
 "B" LINKS PIN 3 TO RING AND PIN 2 TO TIP

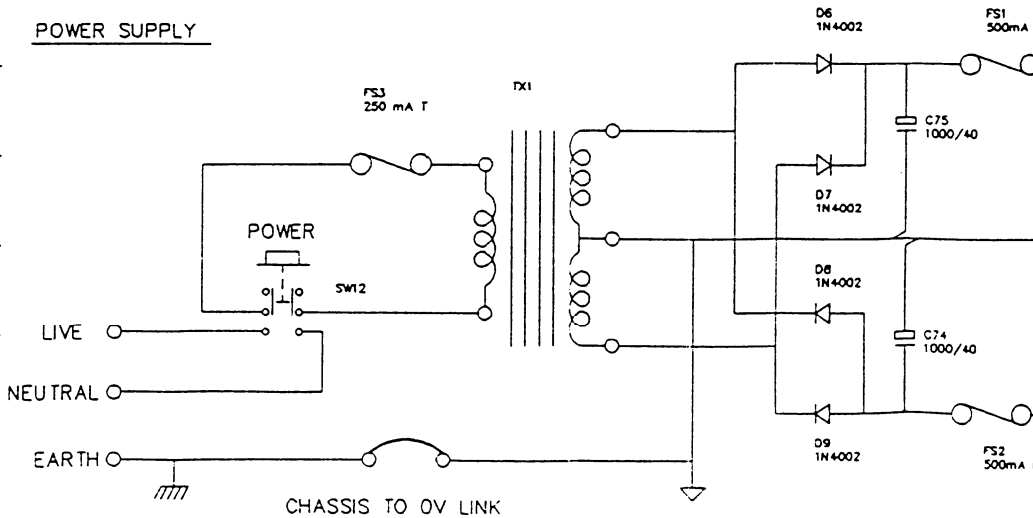


CHANNEL 1 INPUT STAGE



CHANNEL 2 INPUT STAGE

POWER SUPPLY



THIS DRAWING IS THE COPYRIGHT OF BSS Audio Ltd. ALL REPRODUCTION AND COPYING, OTHER THAN THAT FOR LICENCED MANUFACTURERS OWN INTERNAL USE, OR DISCLOSURE OF PART OR WHOLE TO A THIRD PARTY WITHOUT PRIOR WRITTEN AUTHORISATION IS IN VIOLATION OF THE COPYRIGHT.
 © BSS Audio Ltd. 1991, 1992