

COSW  
 MONOSW  
 MODESW-1  
 MODESW-2  
 MODESW-3  
 MODESW-4  
 D21

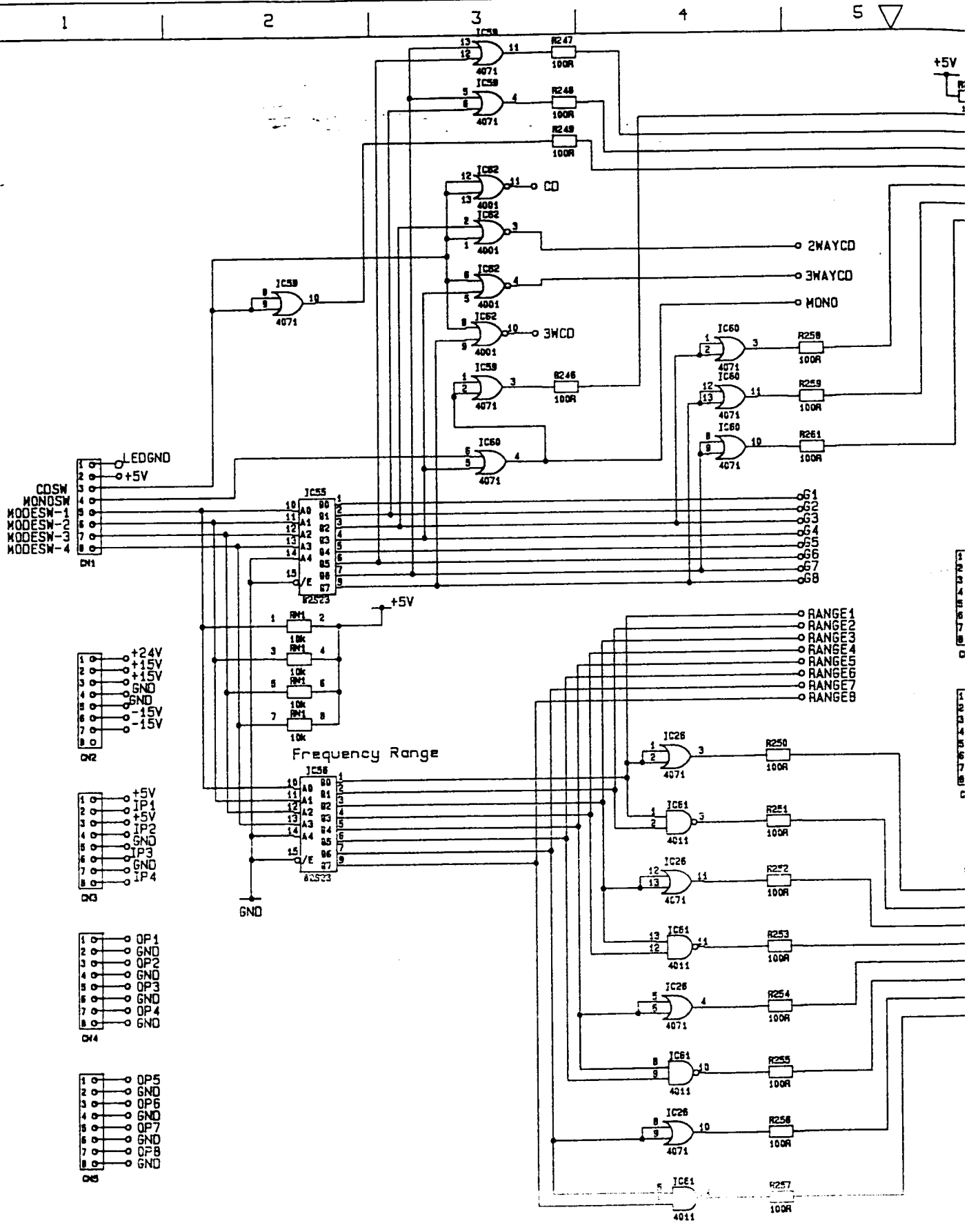
1 +24V  
 2 +15V  
 3 +15V  
 4 5V  
 5 GND  
 6 -15V  
 7 -15V  
 8  
 9  
 10  
 R2

1 +5V  
 2 TP1  
 3 +5V  
 4 TP2  
 5 GND  
 6 TP3  
 7 GND  
 8 TP4  
 9  
 10  
 R3

1 OP1  
 2 GND  
 3 OP2  
 4 GND  
 5 OP3  
 6 GND  
 7 OP4  
 8 GND  
 9  
 10  
 R4

1 OP5  
 2 GND  
 3 OP6  
 4 GND  
 5 OP7  
 6 GND  
 7 OP8  
 8 GND  
 9  
 10  
 R5

Frequency Range



MODS	ISSUE NO.	DATE	DRAWN BY	TITLE
	A	OCT 91	PJW	318