

DRAWING NUMBER ISSUE
S-B133AS-04



TITLE: 133 D.I. BOX MAIN BOARD
 CIRCUIT DIAGRAM

FILENAME: S-B133AS-04.SCH

DRAWN: LAM/PST

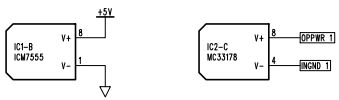
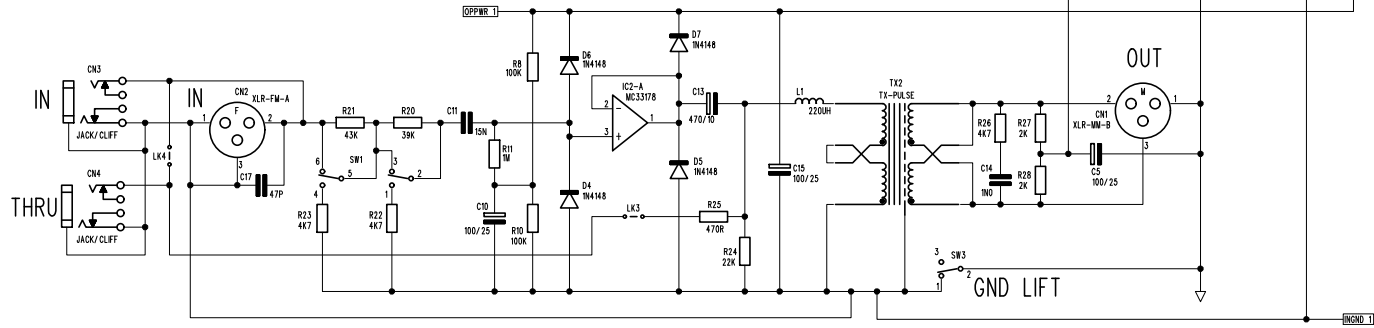
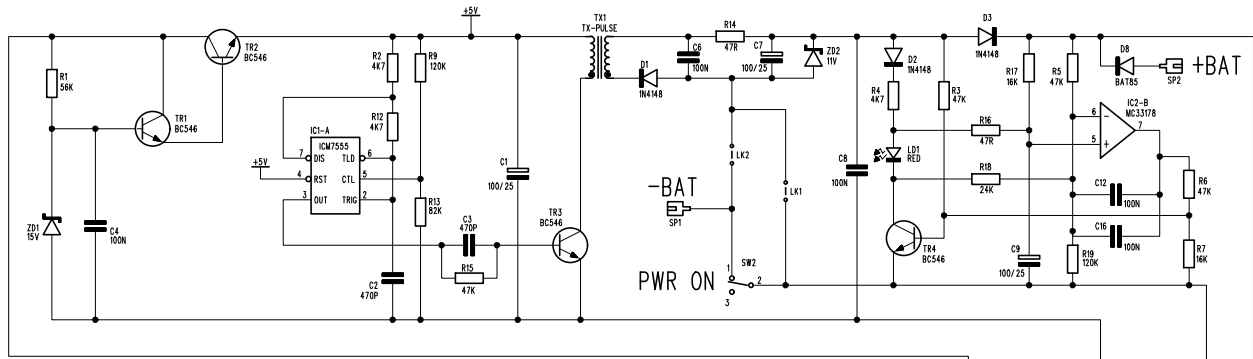
DATE: 06/02/97

CHECKED:

MATERIAL:

FINISH:

- ISSUE COMMENTS:
1. INTRODUCED TO SERIES.
 2. UPDATED TO LINE WITH BOARD
 3. UPDATED TO LINE UP WITH BOARD
 4. ECN0518 13/09/01



DRAWING No WAS 133SA-01

THIS DRAWING IS THE COPYRIGHT OF BSS Audio Ltd. ALL REPRODUCTION AND COPYING, OTHER THAN THAT FOR LICENCED MANUFACTURERS OWN INTERNAL USE, OR DISCLOSURE OF PART OR WHOLE TO A THIRD PARTY WITHOUT PRIOR WRITTEN AUTHORISATION IS IN VIOLATION OF THE COPYRIGHT.
 © BSS Audio Ltd 1994