

REVISIONS H (21/11/05)

DRAWN SA

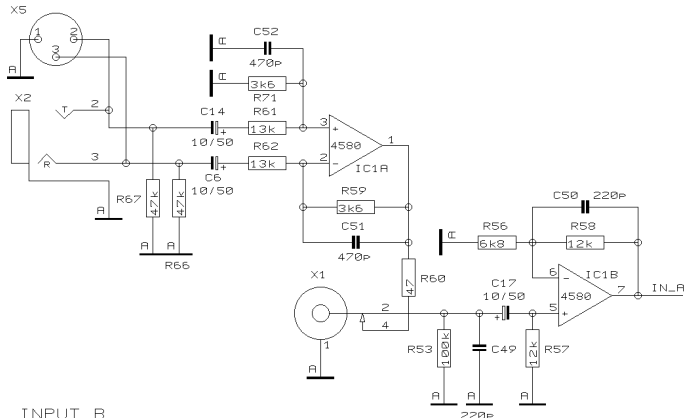
CHECKED

DATE 11.07.7
10:03

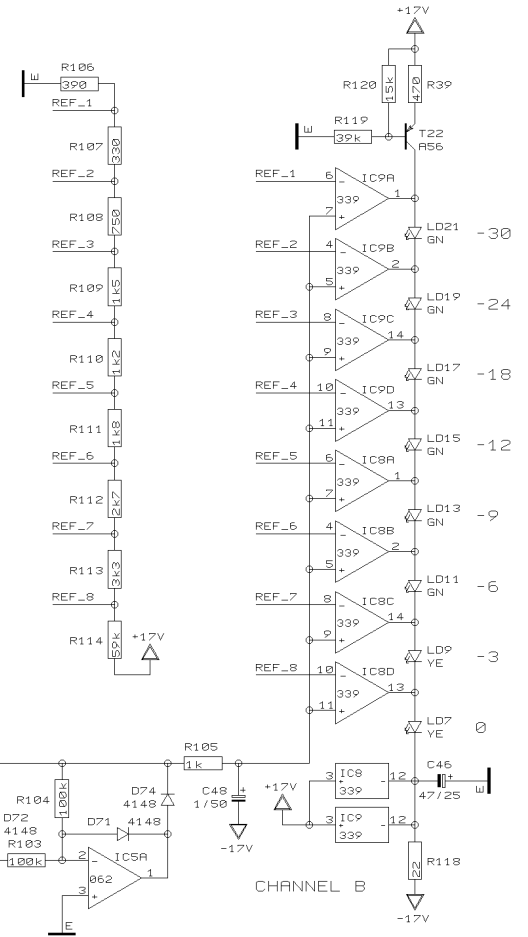
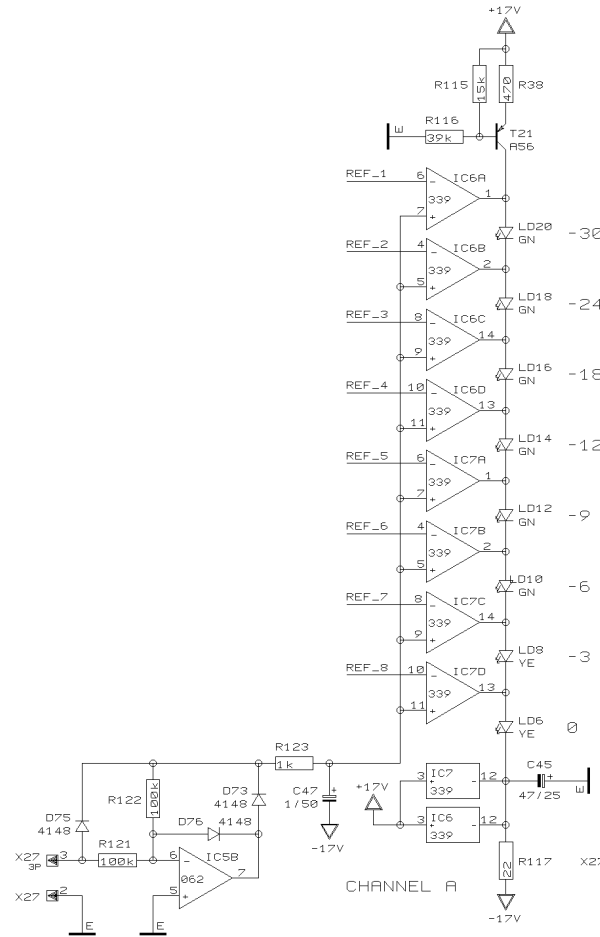
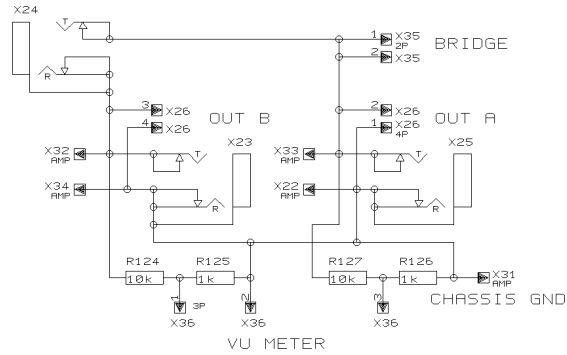
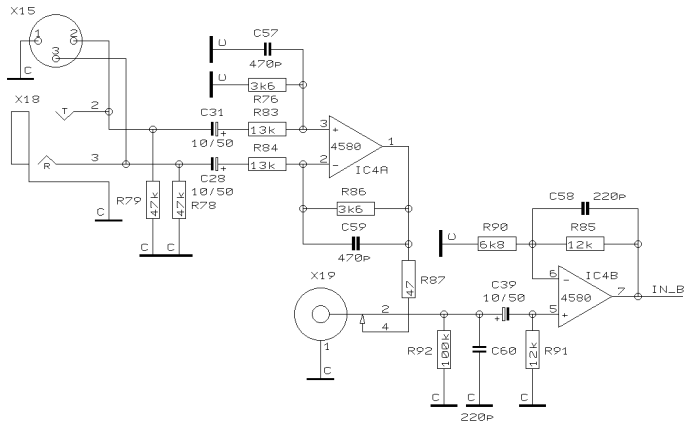


PROJECT
A500
500W POWER AMP
OUTPUT & POWER SUPPLIES
SHEET 1 OF 2 SHEETS TOTAL


INPUT A



INPUT B



REVISIONS		H
DRAWN	SA	CHECKED
DATE		11.07.7
		10:03



Specialized Studio Equipment

PROJECT
A500
500W POWER AMP
IN/VU-METER/OUT

SHEET 2 OF 2 SHEETS TOTAL