

REVISIONS F (30/05/06)

DRAWN SA

CHECKED

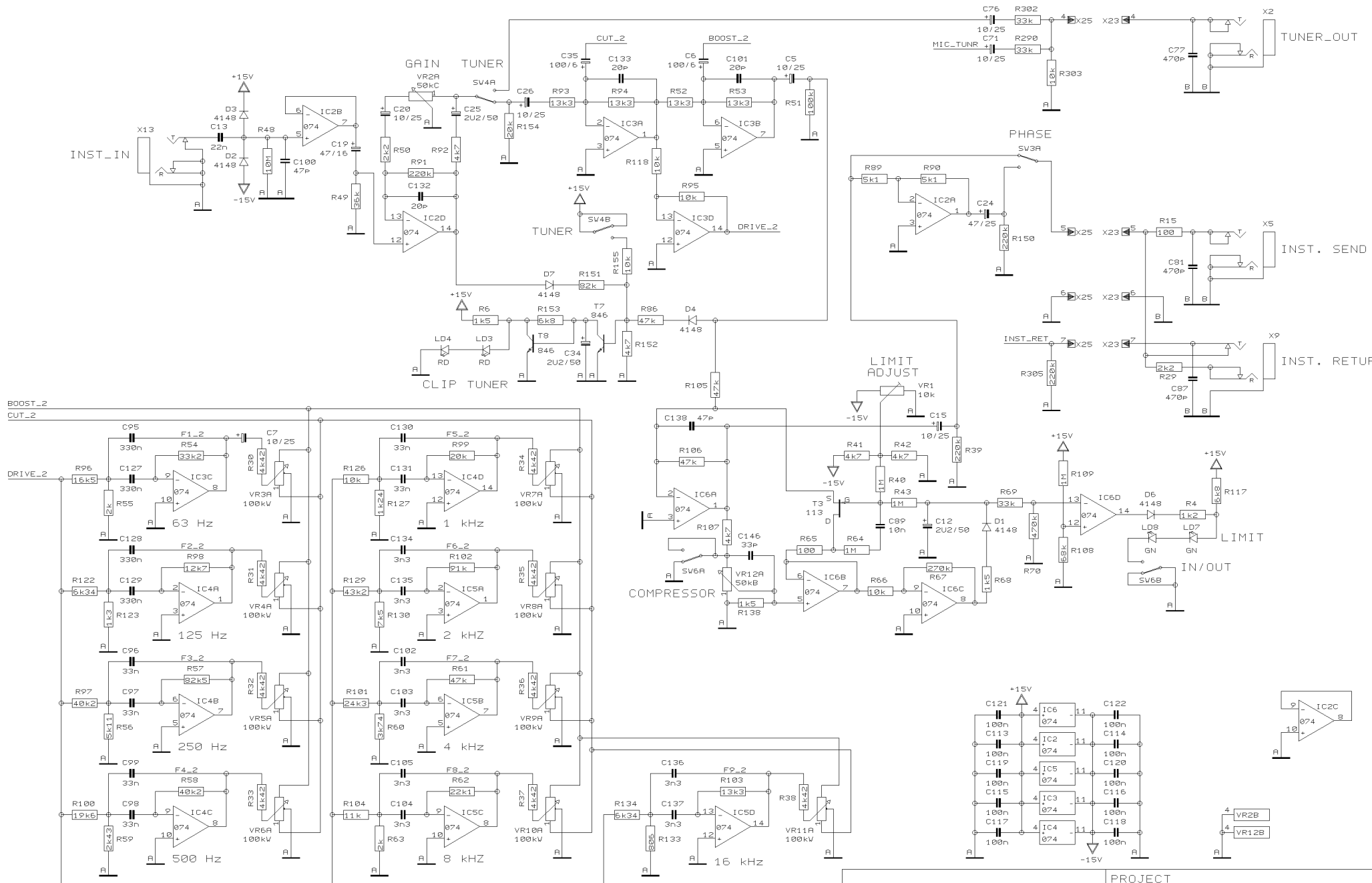
DATE 11.07.7
10:39

BEHRINGER

Specialized Studio Equipment

PROJECT
ACX1800
ULTRACOUSTIC
MIC/LINE CHANNEL

SHEET 1 OF 5 SHEETS TOTAL



REVISIONS F

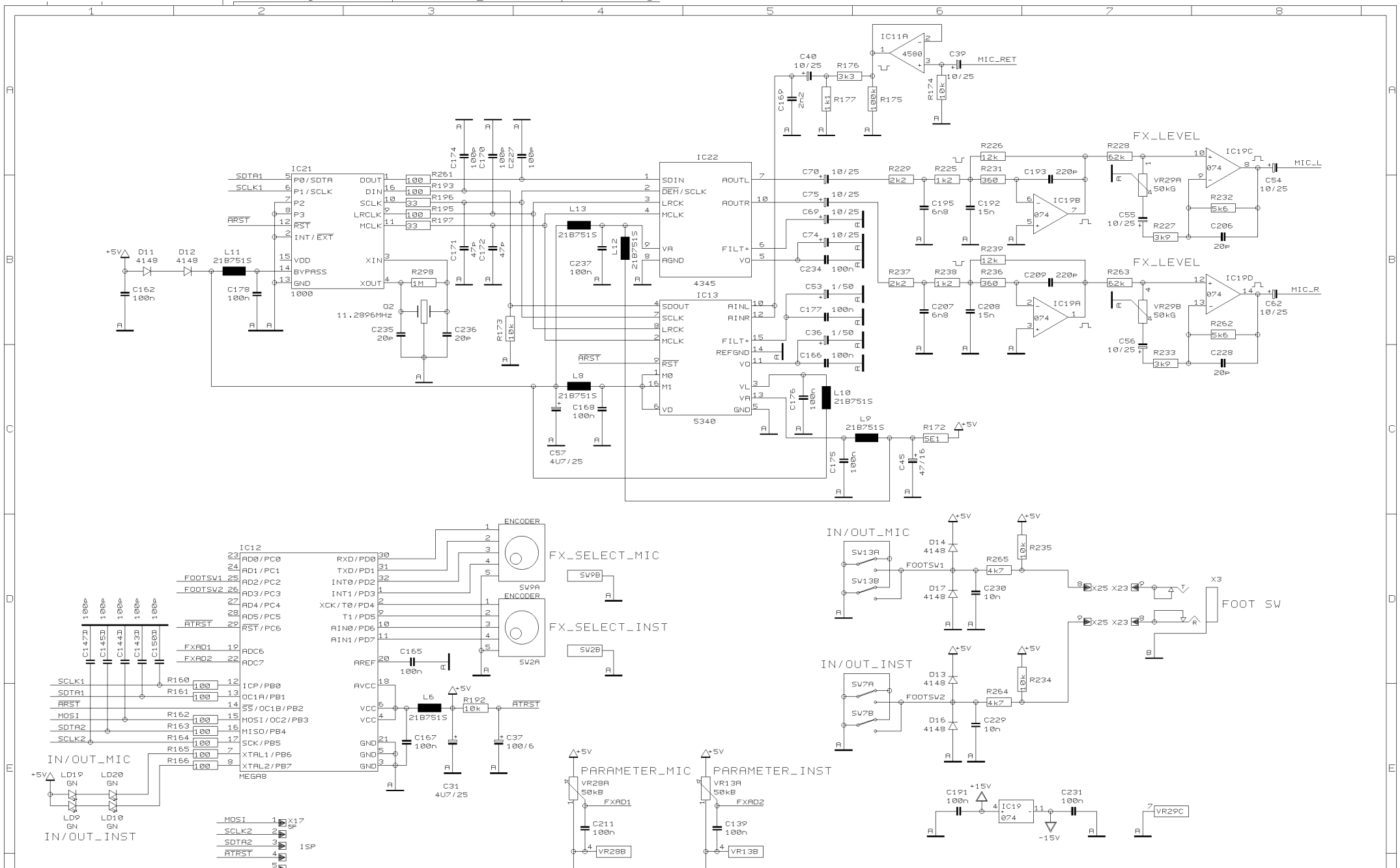
DRAWN SA

CHECKED

DATE 11.07.7
10:39



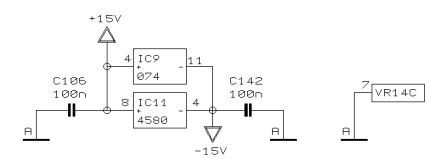
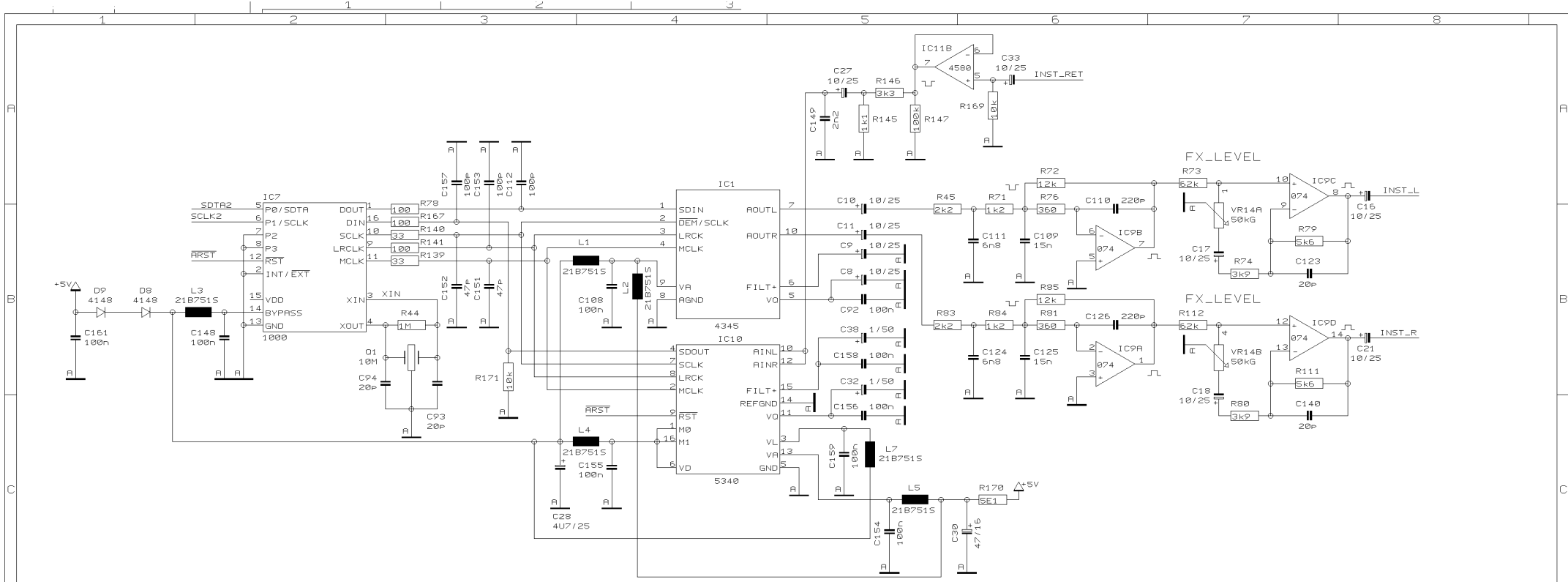
PROJECT
ACX1800
ULTRACOUSTIC
INSTRUMENT CHANNEL
SHEET 2 OF 5 SHEETS TOTAL



REVISIONS	F
DRAWN	SA
CHECKED	
DATE	11.07.7 10:39

PROJECT
ACX1800
ULTRACOUSTIC
MIC/LINE FX

SHEET 3 OF 5 SHEETS TOTAL



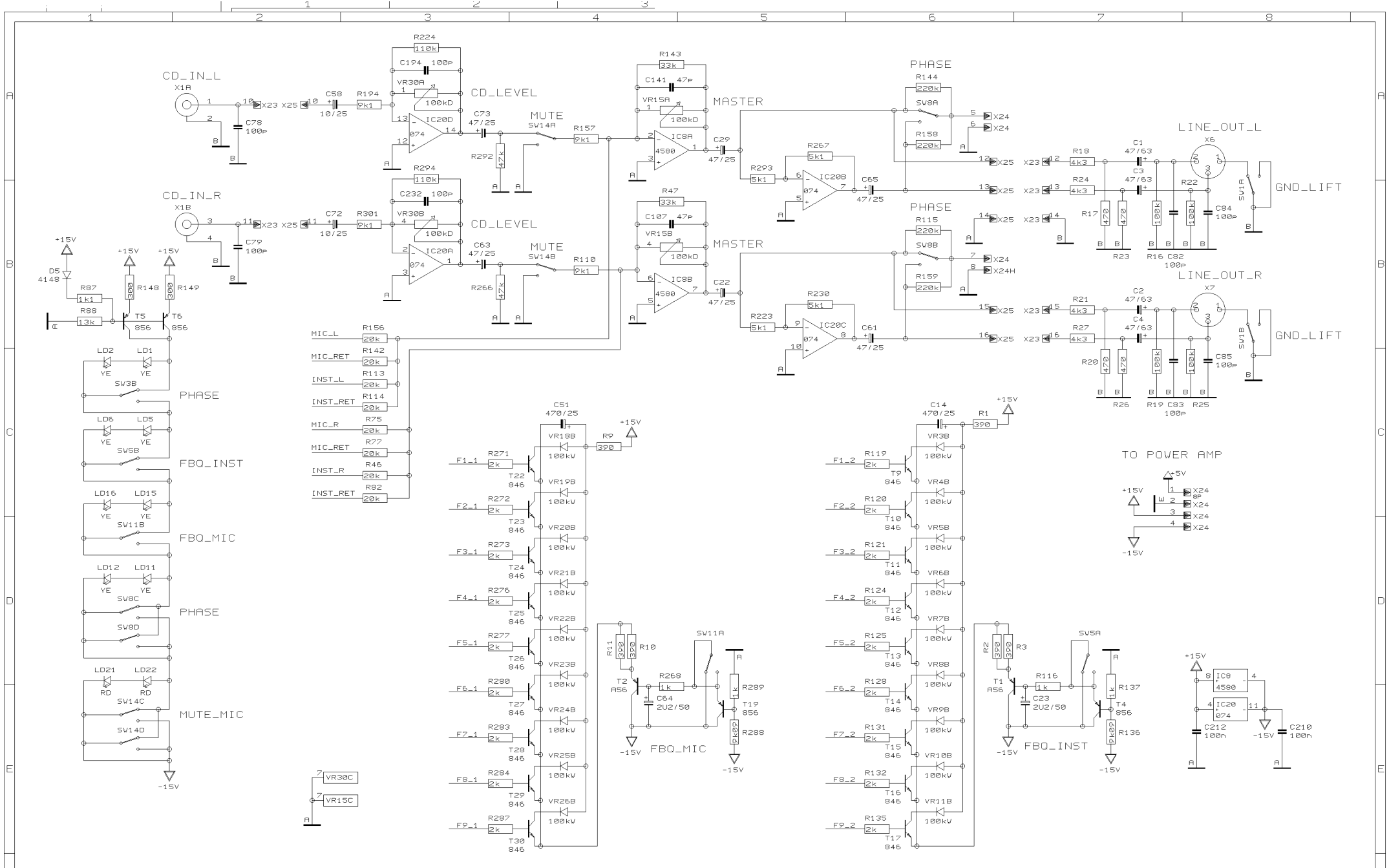
REVISIONS		F
DRAWN	SA	CHECKED
DATE		11.07.7
		10:39

BEHRINGER®

Specialized Studio Equipment

PROJECT
ACX1800
ULTRACOUSTIC
INST FX

SHEET 4 OF 5 SHEETS TOTAL



REVISIONS F

DRAWN SA

CHECKED

DATE 11.07.7
10:39



PROJECT
ACX1800
ULTRACOUSTIC
MASTER SECTION
SHEET 5 OF 5 SHEETS TOTAL