

REVISIONS C XOVER1

DRAWN BK

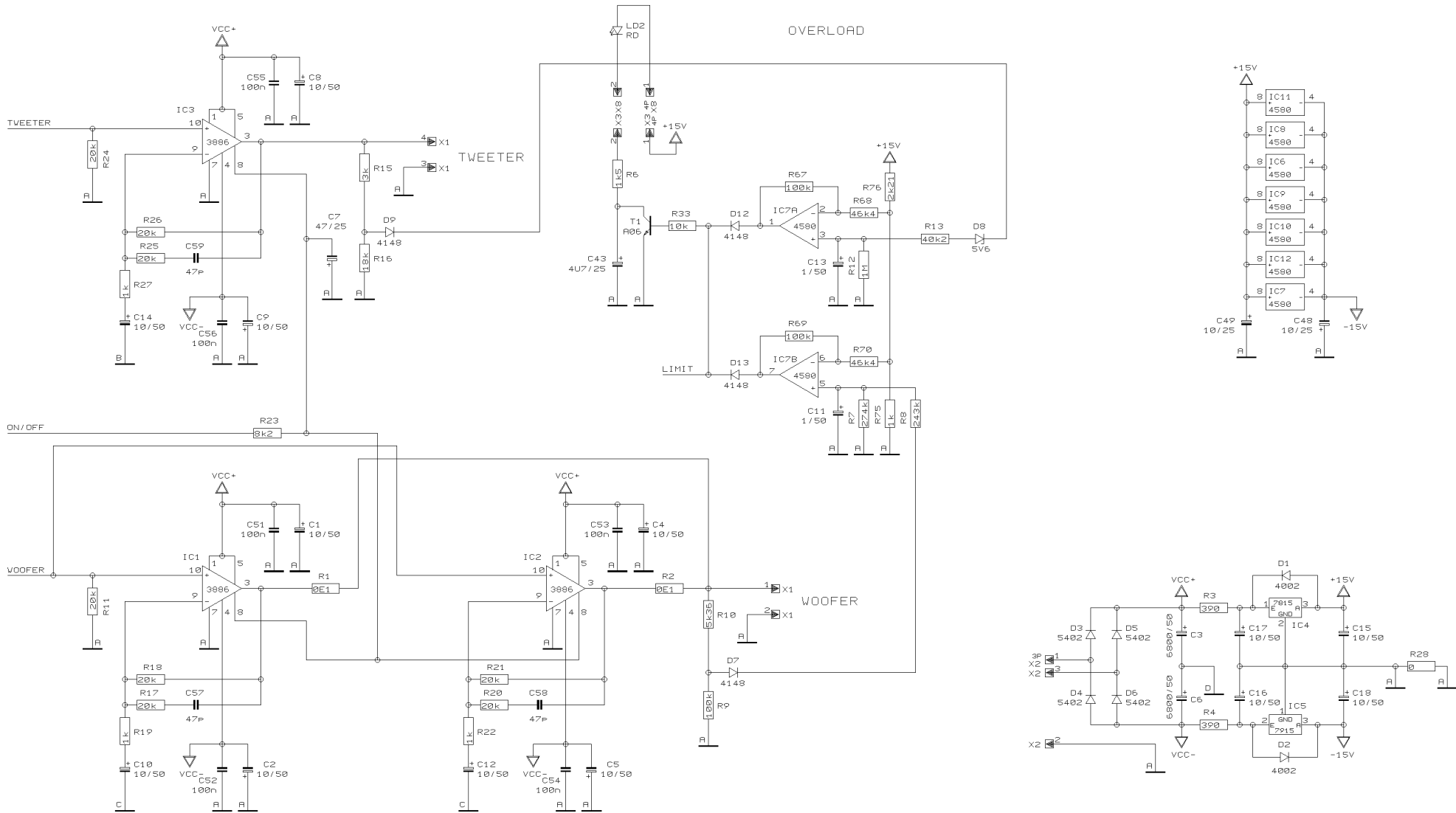
CHECKED

DATE 19.02. 1
8:22



PROJECT
B2031CA
ULTIMATE
INPUT & FILTER

SHEET 1 OF 2 SHEETS TOTAL



REVISIONS

B

DRAWN BK

CHECKED

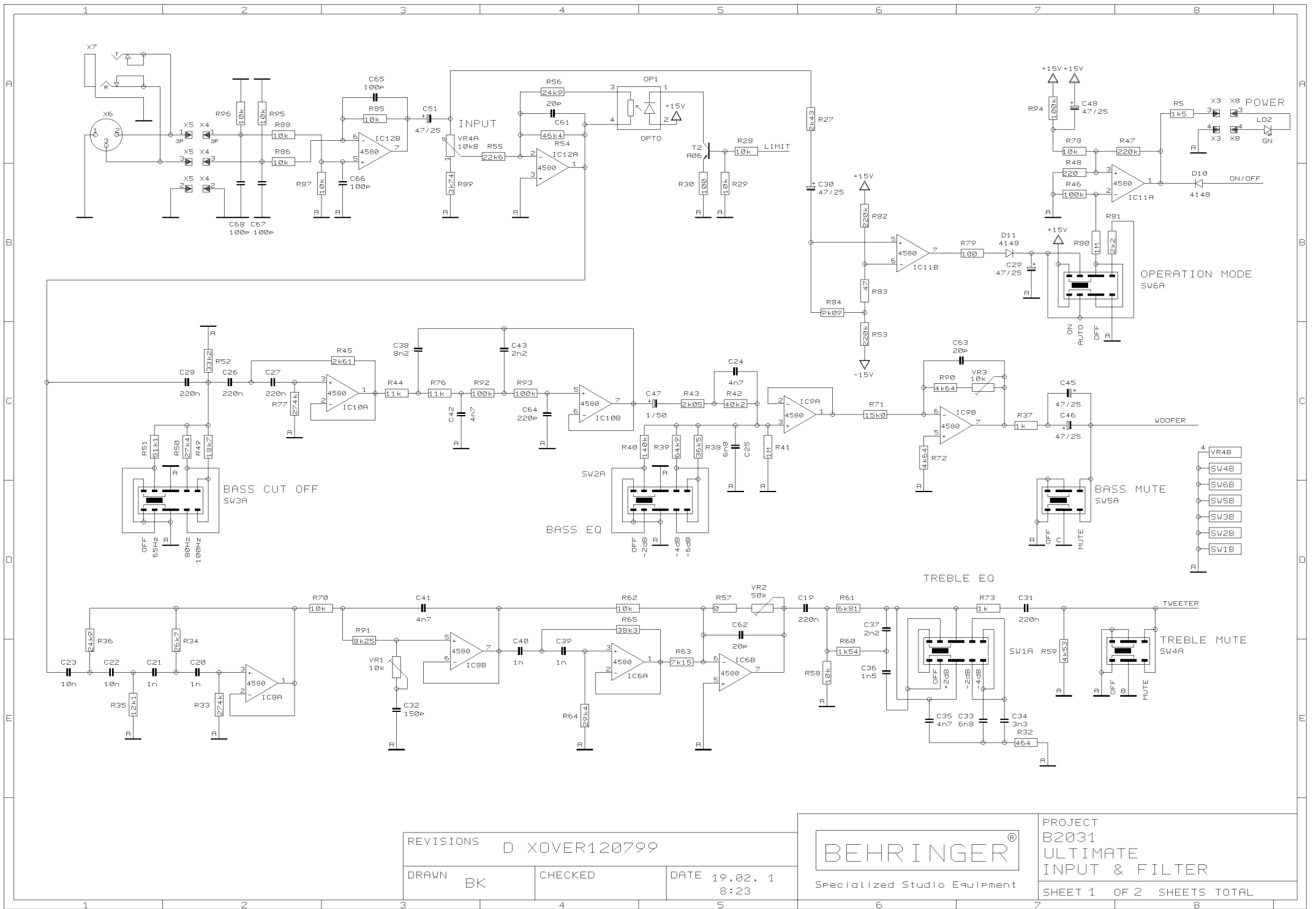
DATE 19.02. 1
8:22

BEHRINGER®

Specialized Studio Equipment

PROJECT
B2031CA
ULTIMATE
PSU & AMPS

SHEET 2 OF 2 SHEETS TOTAL



REVISIONS D XOVER120799

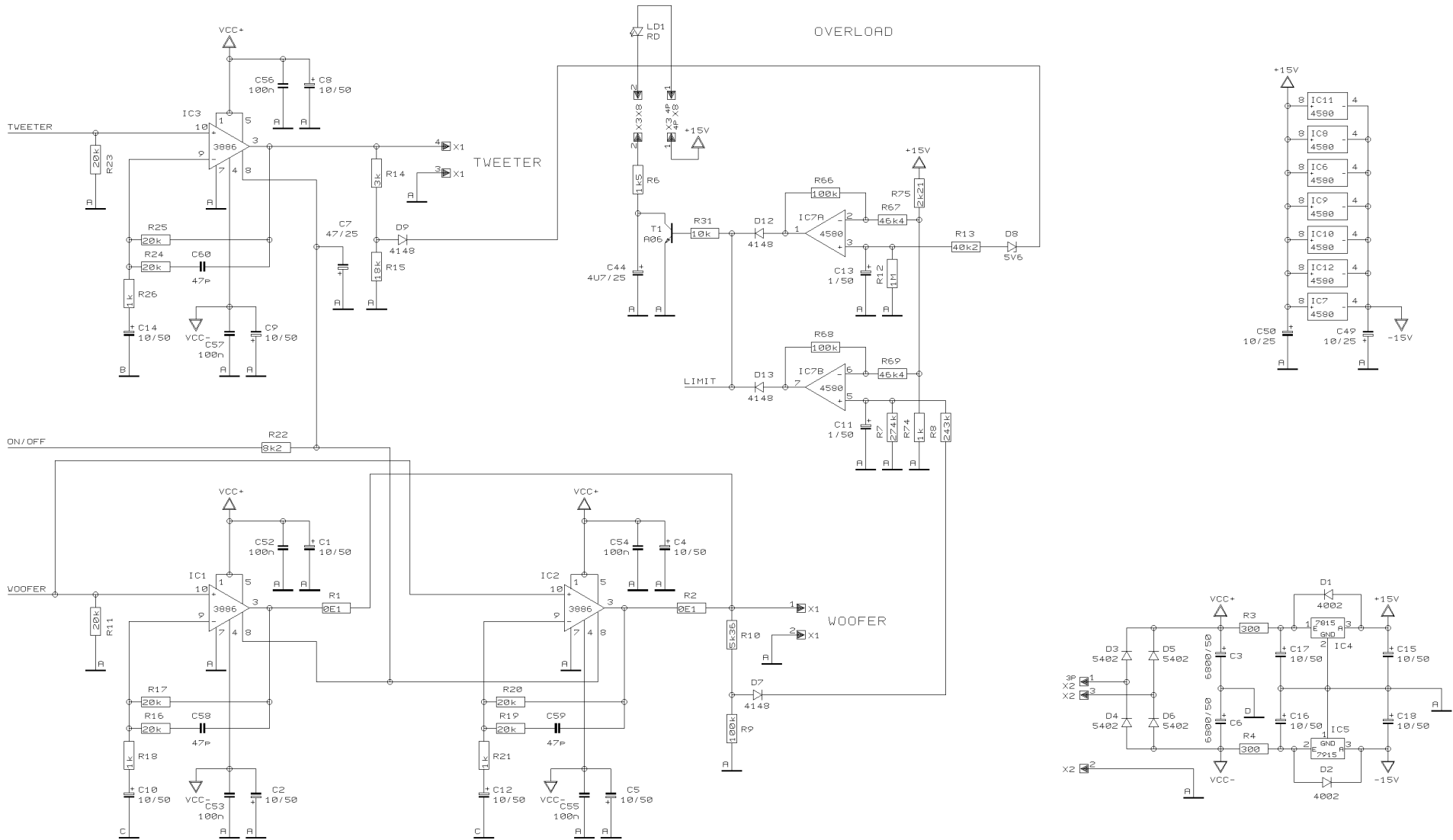
DRAWN BK

CHECKED

DATE 19.02. 1
8:23



PROJECT
B2031
ULTIMATE
INPUT & FILTER
SHEET 1 OF 2 SHEETS TOTAL

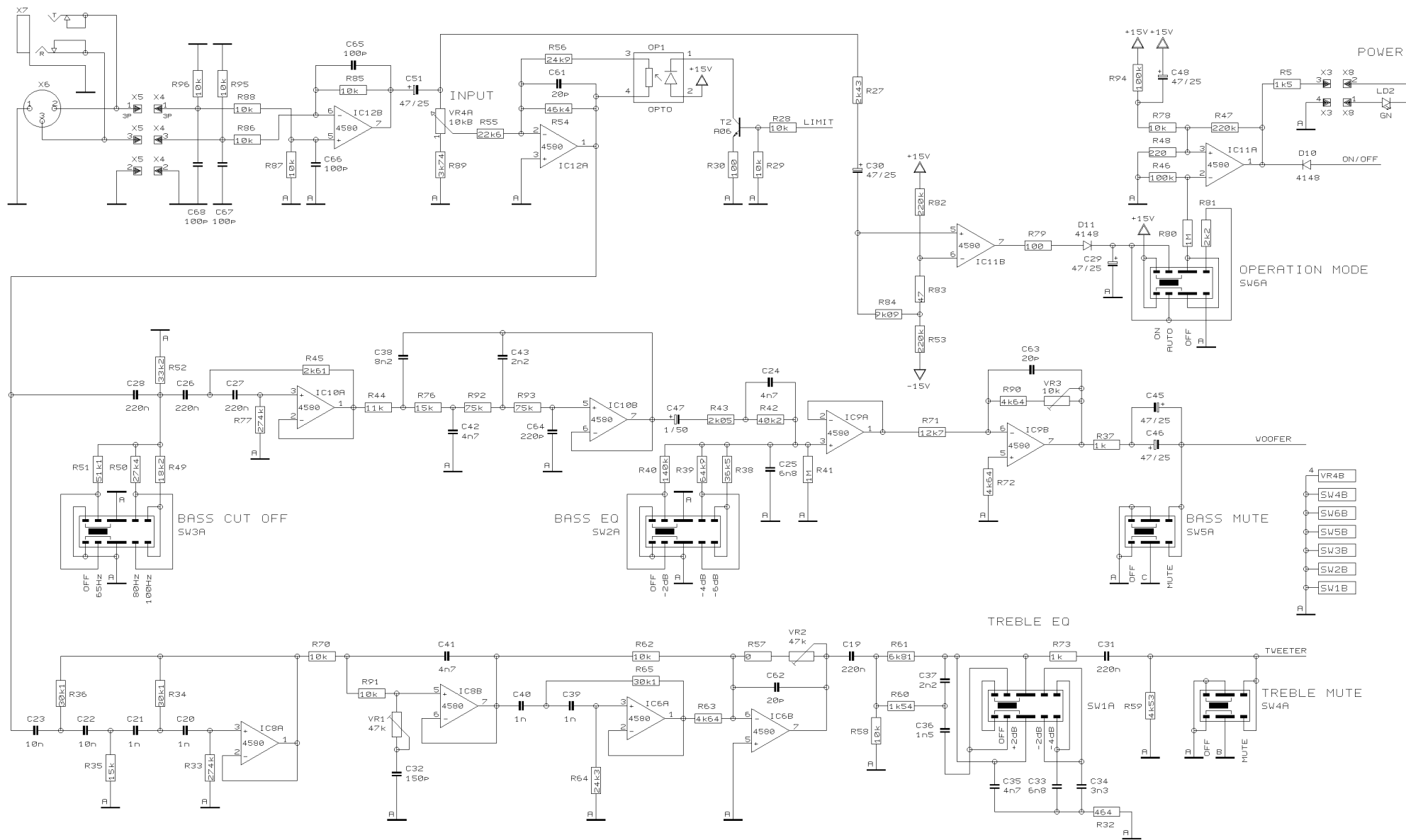


REVISIONS

REVISIONS	D
DRAWN	BK
CHECKED	
DATE	19.02. 1 8:23



PROJECT
B2031
ULTIMATE
PSU & AMPS
SHEET 2 OF 2 SHEETS TOTAL



REVISIONS E (201099)

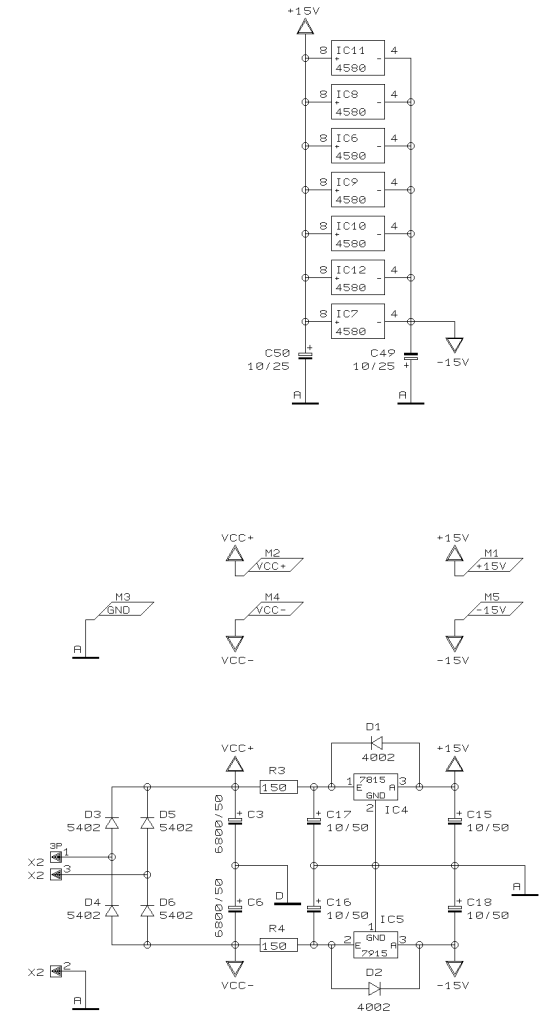
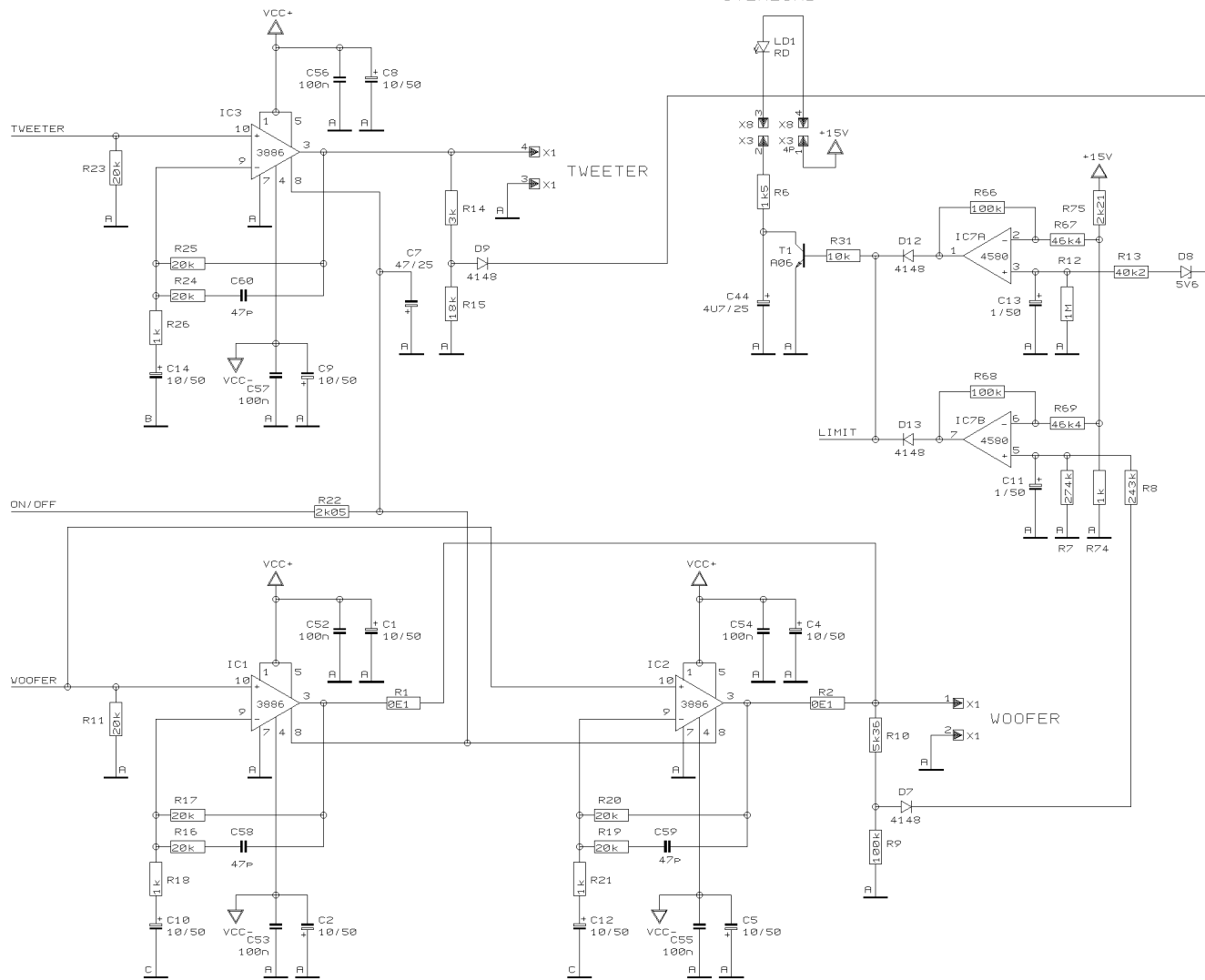
DRAWN BK

CHECKED

DATE 19.02. 1
8:24



PROJECT B2031
TRUTH INPUT & FILTER
SHEET 1 OF 2 SHEETS TOTAL

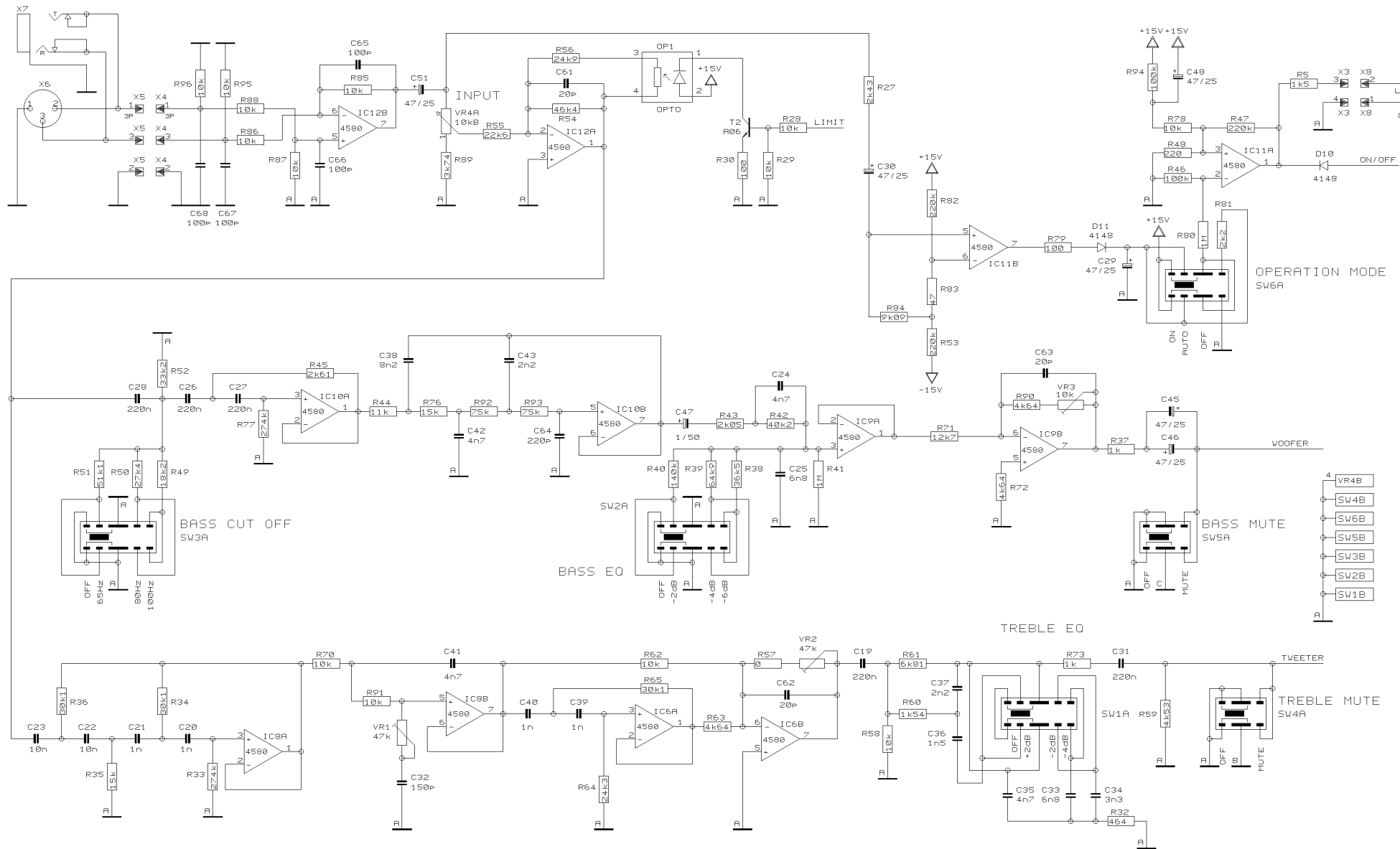


REVISIONS	E		
DRAWN	BK	CHECKED	DATE 19.02. 18:24



PROJECT
B2031
TRUTH
PSU & AMPS

SHEET 2 OF 2 SHEETS TOTAL



REVISIONS E XOVER141099

DRAWN BK

CHECKED

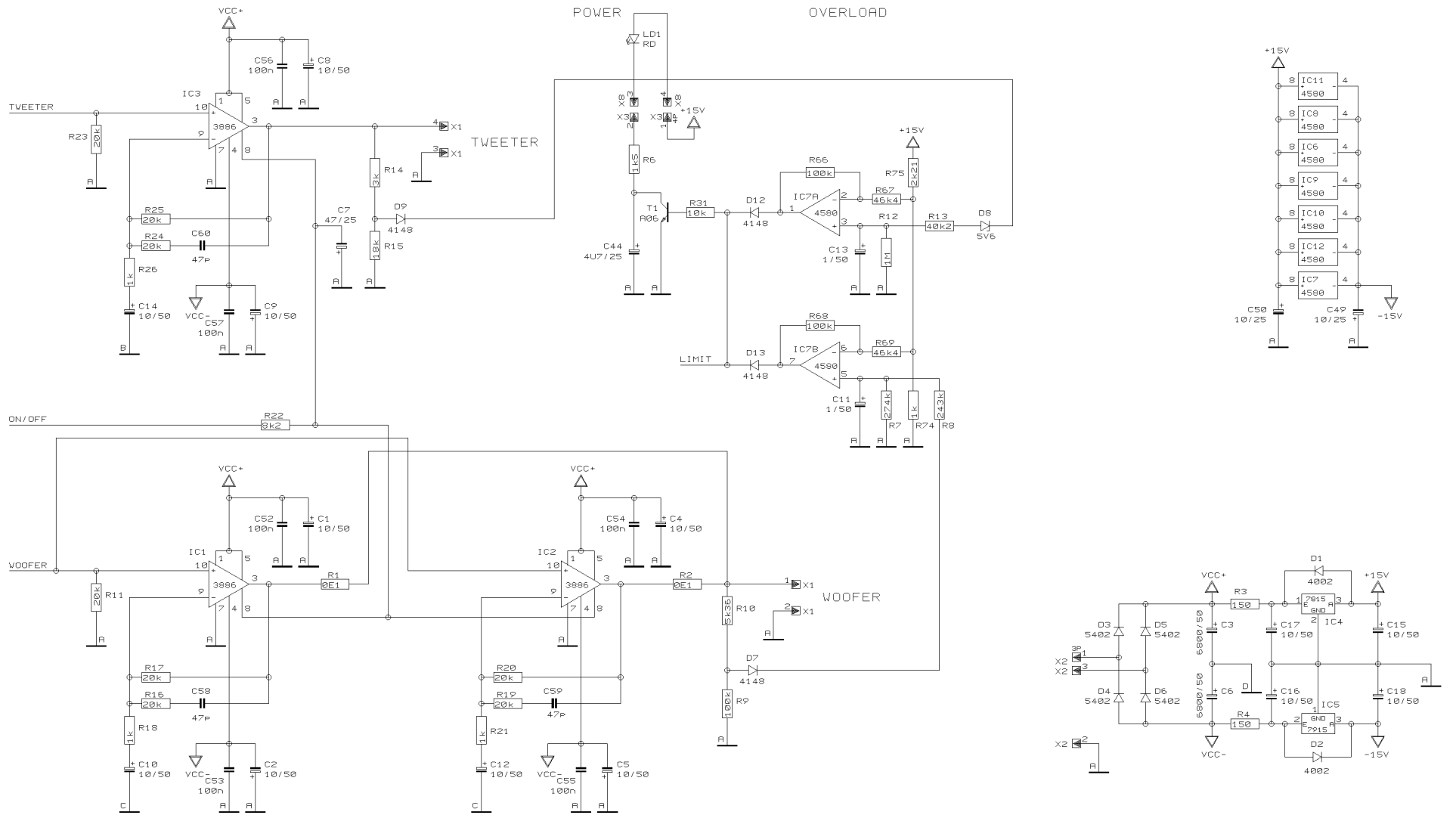
DATE 19.02. 1
8:25

BEHRINGER®

Specialized Studio Equipment

PROJECT B2031
TRUTH
INPUT & FILTER

SHEET 1 OF 2 SHEETS TOTAL



REVISIONS

D

DRAWN BK

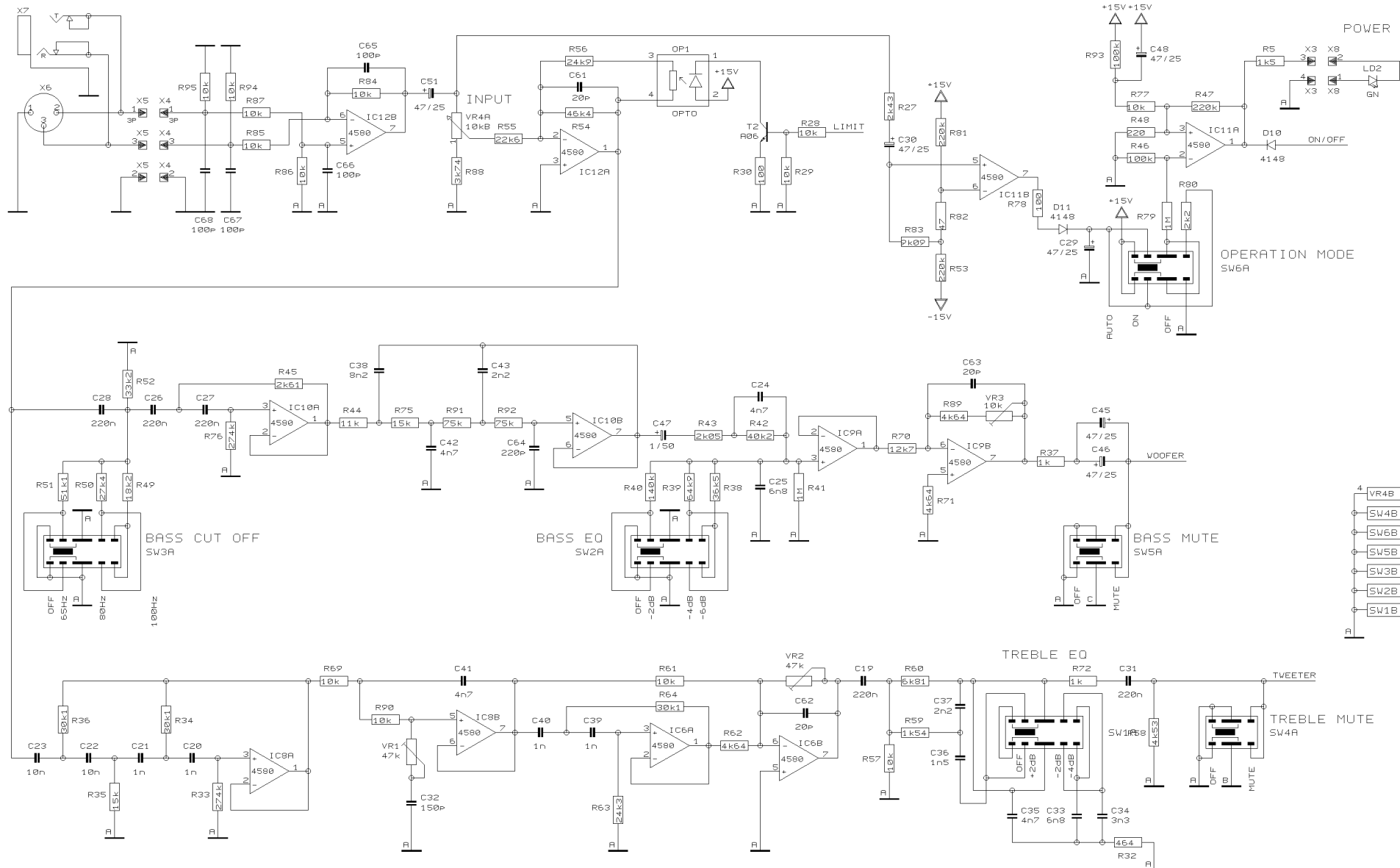
CHECKED

DATE 19.02. 1
8:25



PROJECT
B2031
TRUTH
PSU & AMPS

SHEET 2 OF 2 SHEETS TOTAL



REVISIONS F (260300)

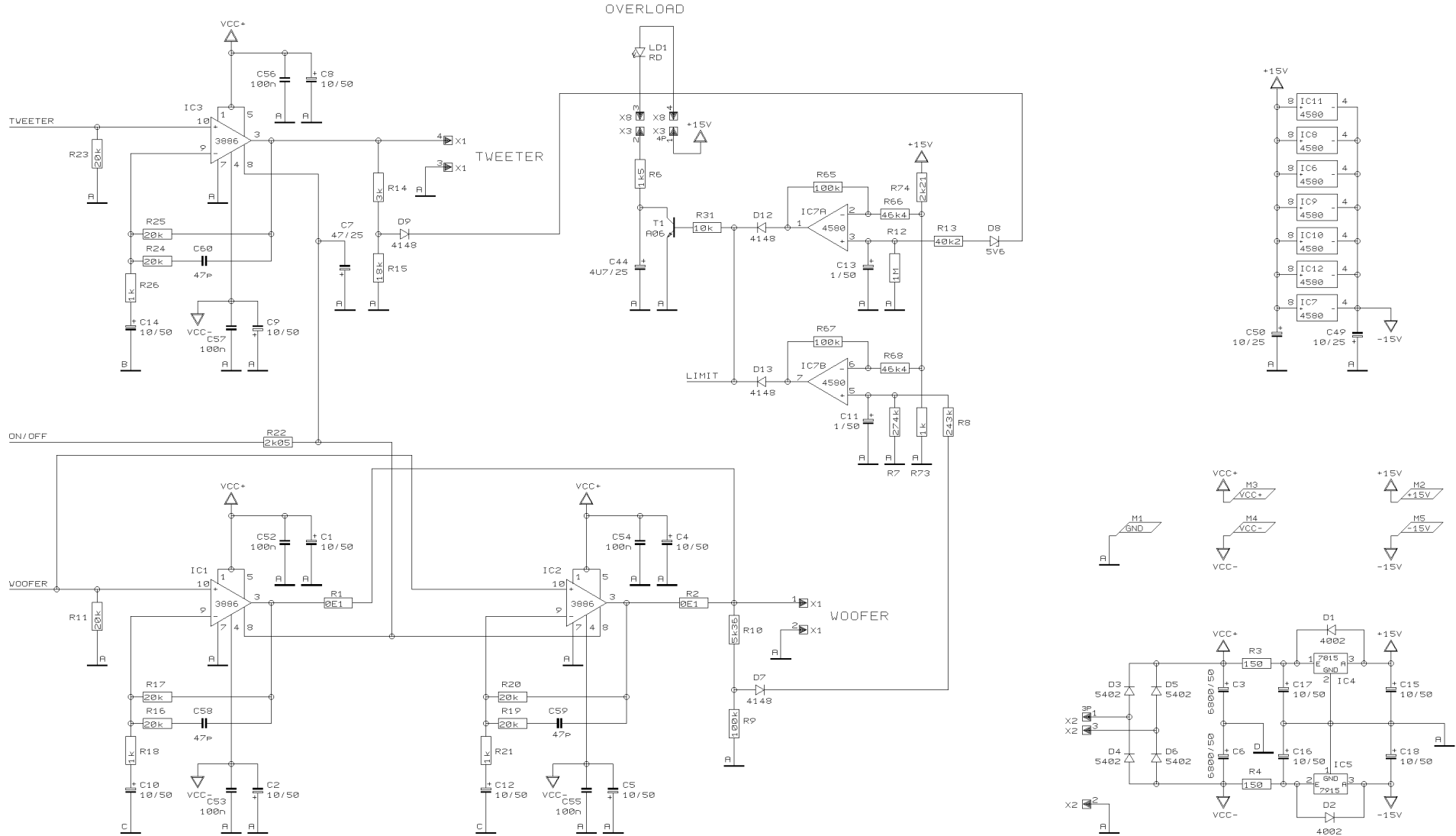
DRAWN BK

CHECKED

DATE 19.02. 1
8:26



PROJECT B2031
TRUTH INPUT & FILTER
SHEET 1 OF 2 SHEETS TOTAL

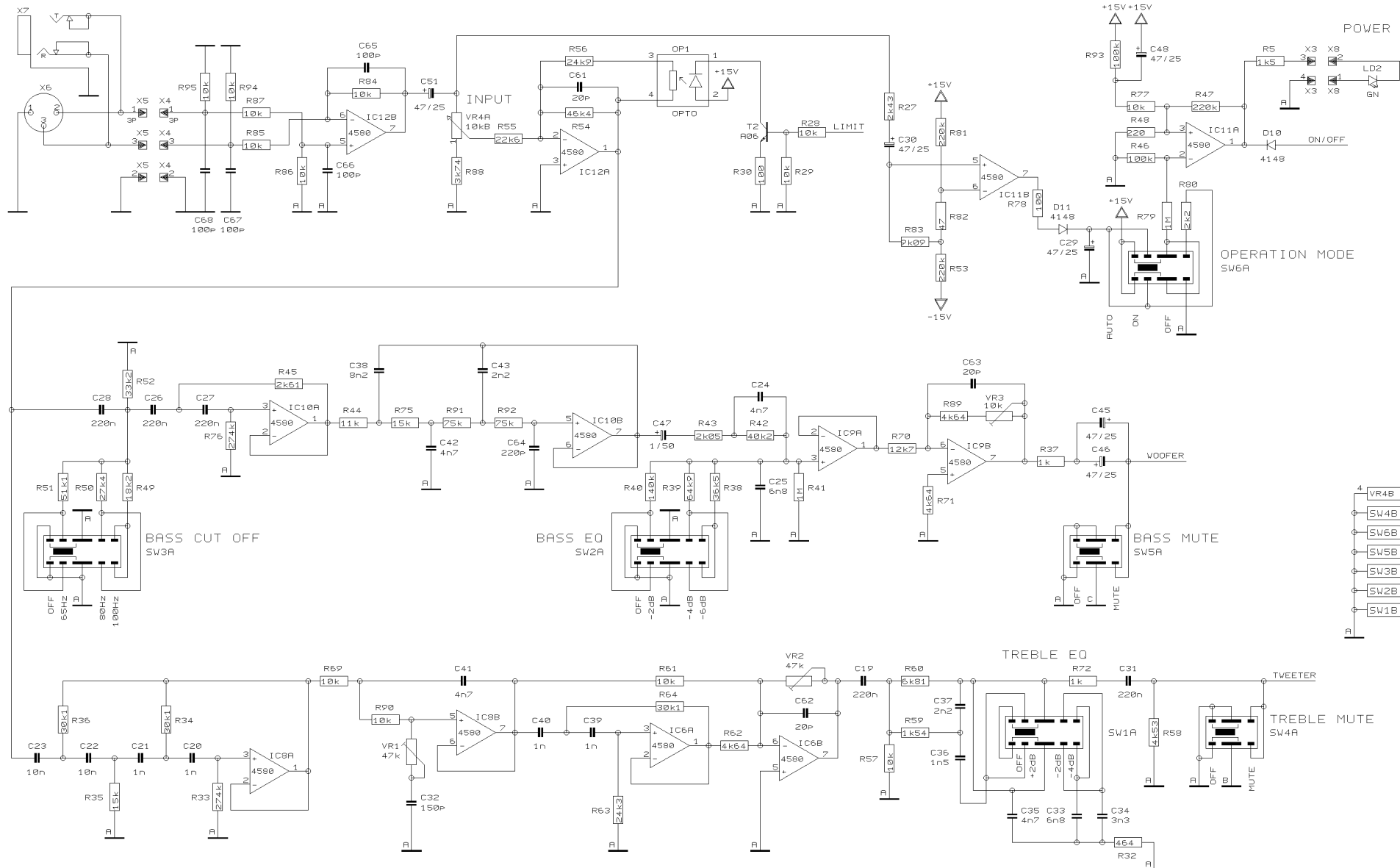


REVISIONS	F		
DRAWN	BK	CHECKED	DATE 19.02. 18:26



PROJECT
B2031
TRUTH
PSU & AMPS

SHEET 2 OF 2 SHEETS TOTAL



REVISIONS G (261200)

DRAWN BK

CHECKED

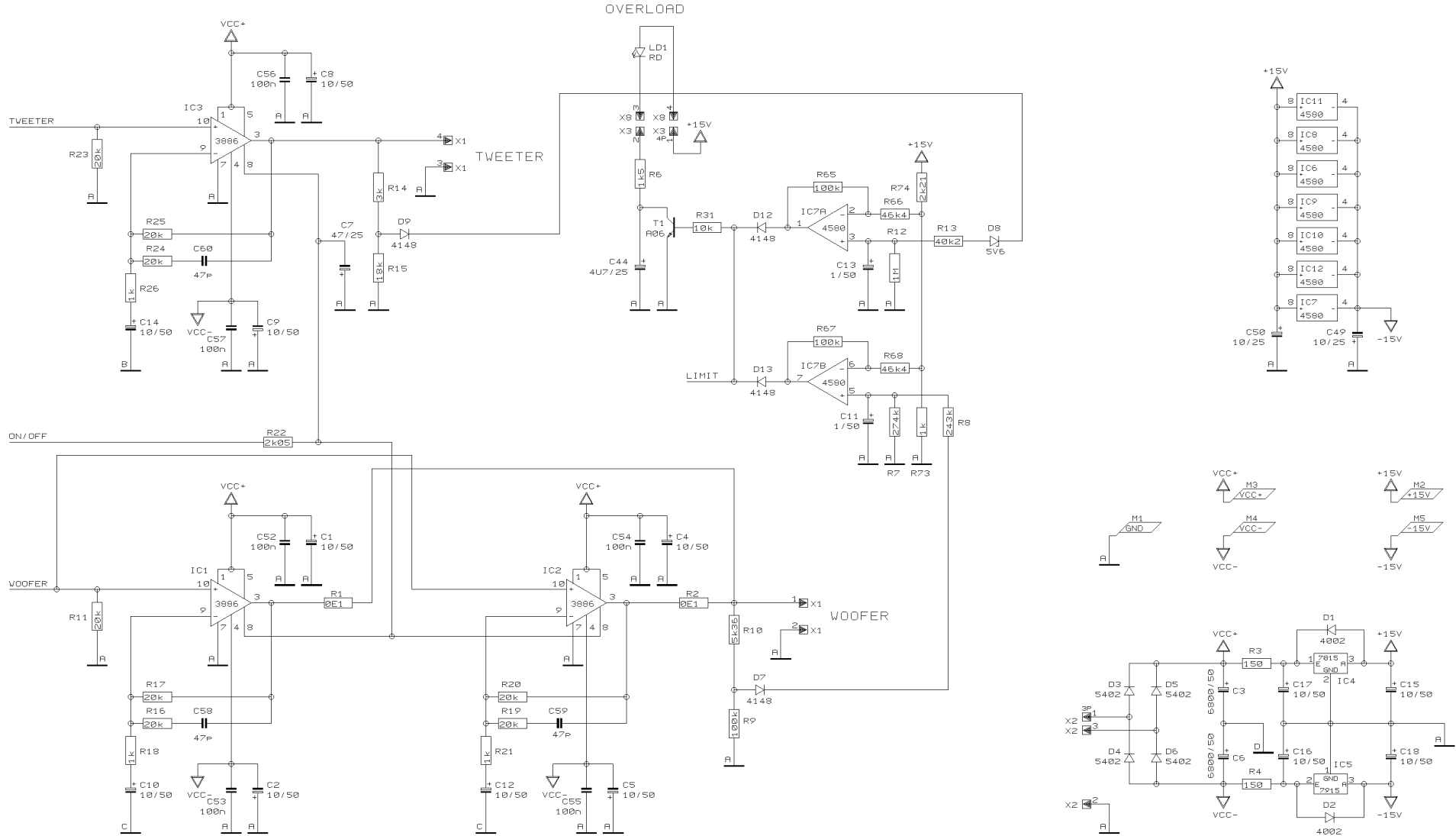
DATE 19.02. 1
8:26

BEHRINGER®

Specialized Studio Equipment

PROJECT B2031
TRUTH
INPUT & FILTER

SHEET 1 OF 2 SHEETS TOTAL



REVISIONS
G

DRAWN
BK

CHECKED

DATE 19.02. 1
8:26

BEHRINGER®
Specialized Studio Equipment

PROJECT
B2031
TRUTH
PSU & AMPS
SHEET 2 OF 2 SHEETS TOTAL