

REVISIONS D

DRAWN FR

CHECKED

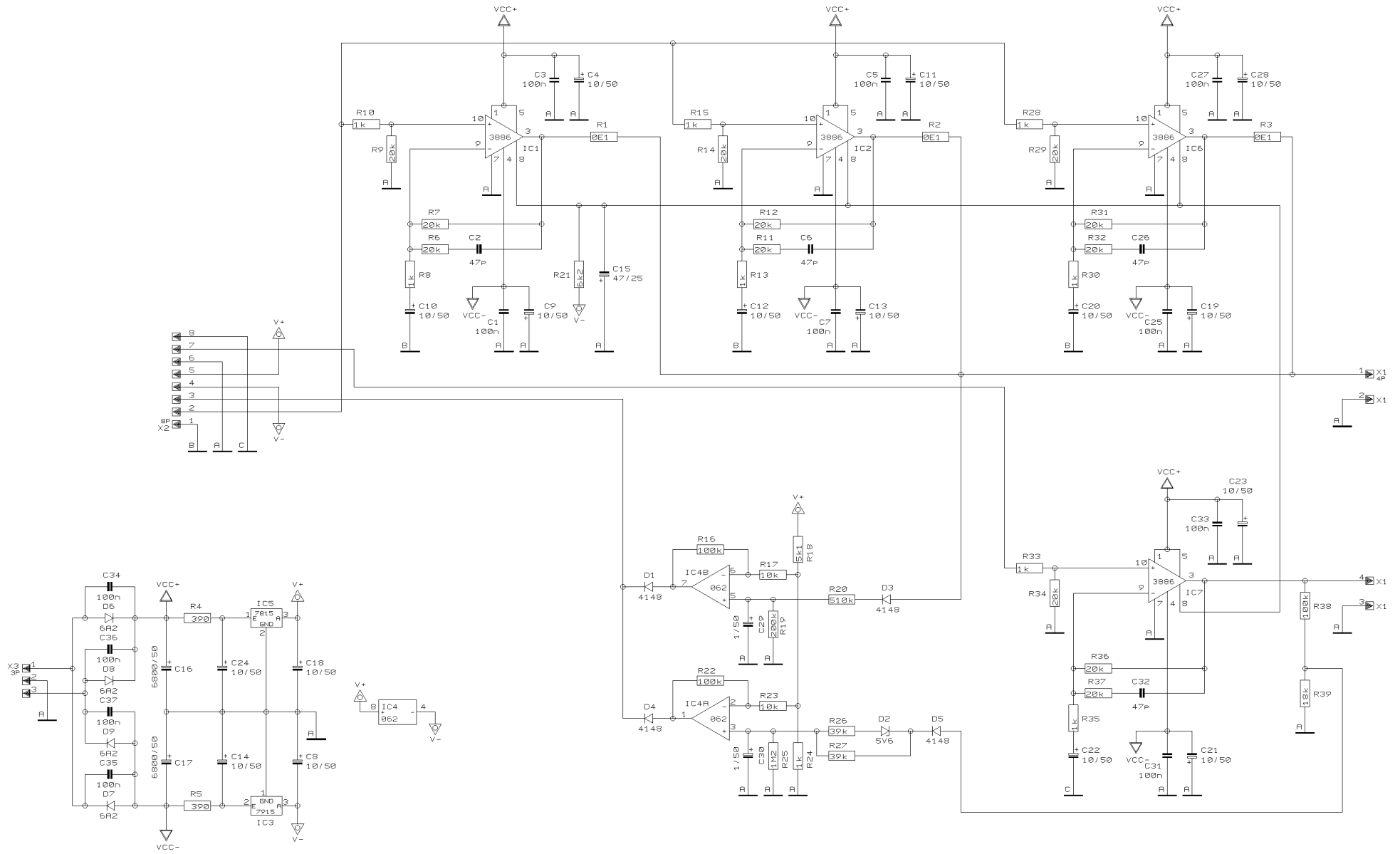
DATE 19.02. 1
8:27

BEHRINGER[®]

Specialized Studio Equipment

PROJECT
B300
POWER AMPLIFIER

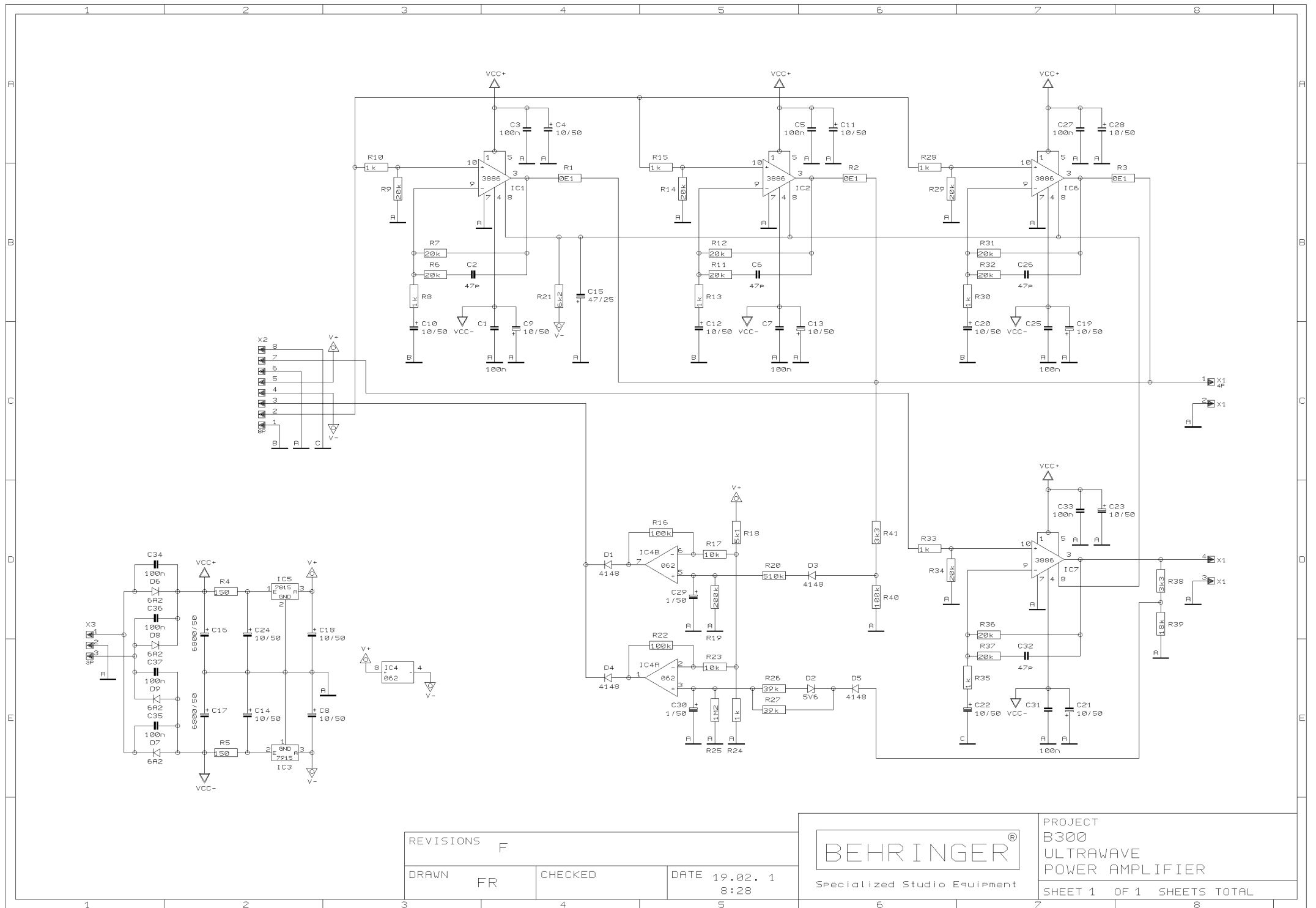
SHEET 1 OF 1 SHEETS TOTAL



REVISIONS		E	
DRAWN	FR	CHECKED	DATE 19.02. 18:27



PROJECT	B300
POWER AMPLIFIER	
SHEET 1	OF 1 SHEETS TOTAL



REVISIONS F

DRAWN FR

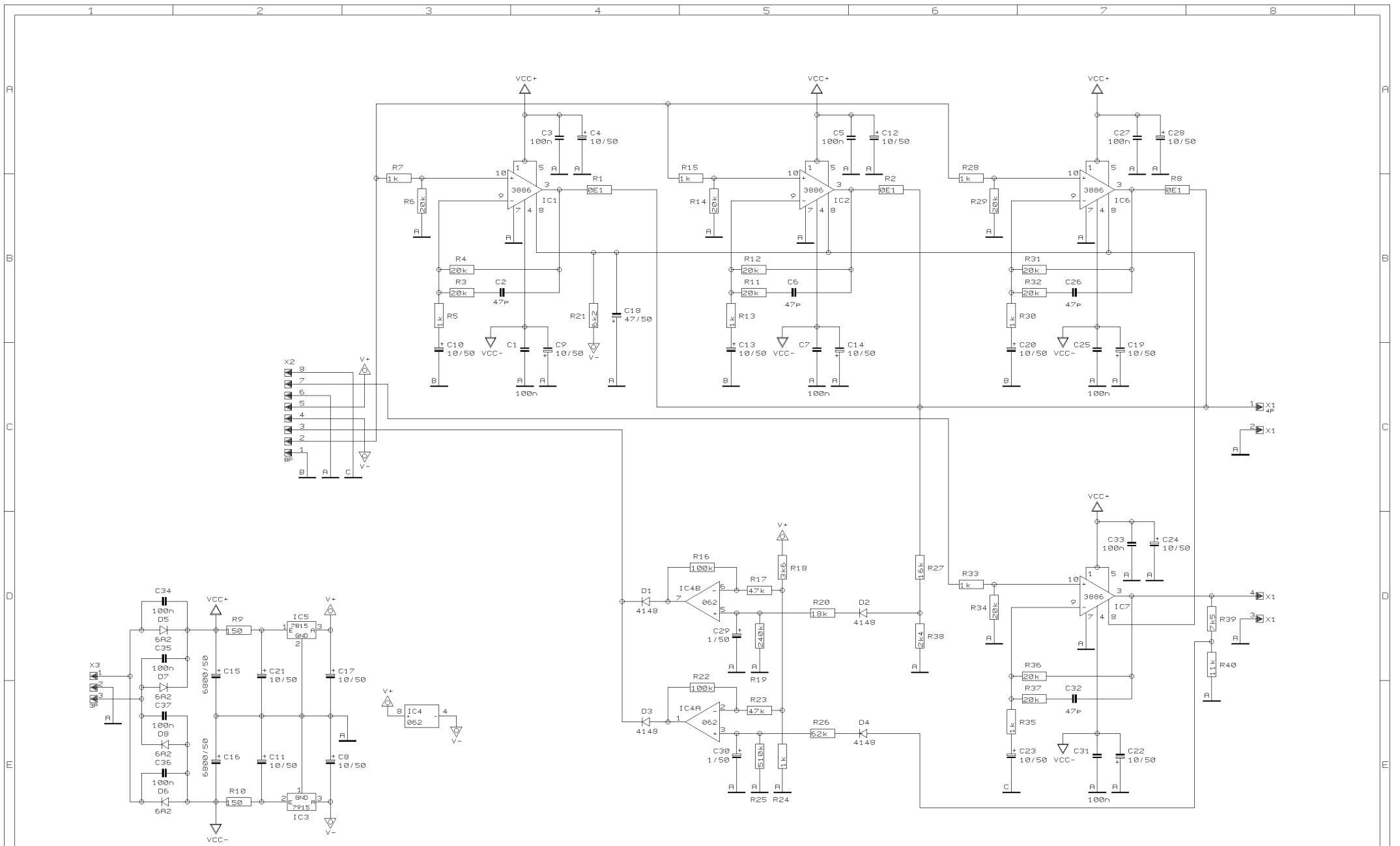
CHECKED

DATE 19.02. 1
8:28



PROJECT
B300
ULTRAWAVE
POWER AMPLIFIER

SHEET 1 OF 1 SHEETS TOTAL



REVISIONS G (120400)

DRAWN FR

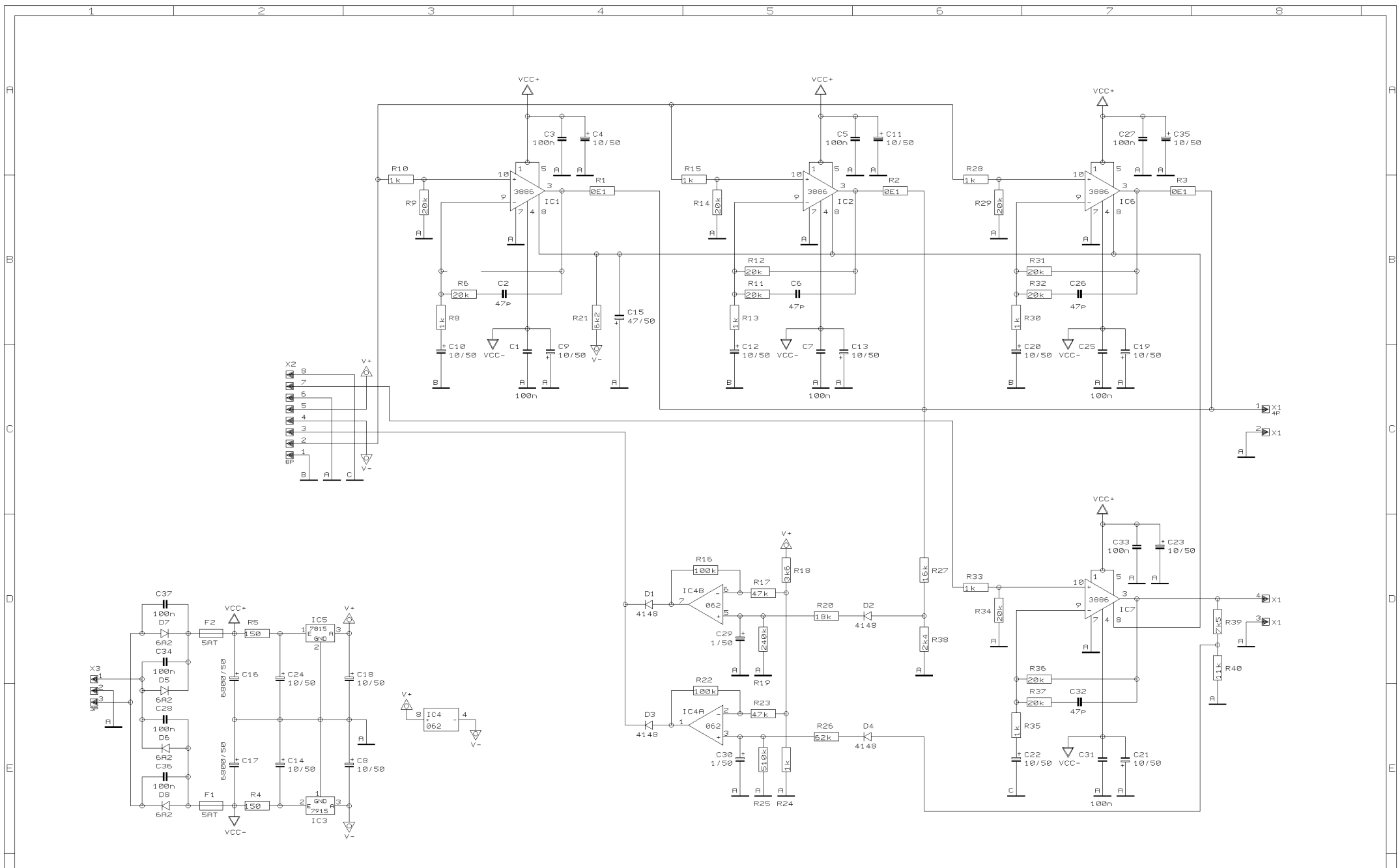
CHECKED

DATE 19.02.1
8:28



PROJECT
B300
ULTRAWAVE
POWER AMPLIFIER

SHEET 1 OF 1 SHEETS TOTAL



REVISIONS H (26/02/03)

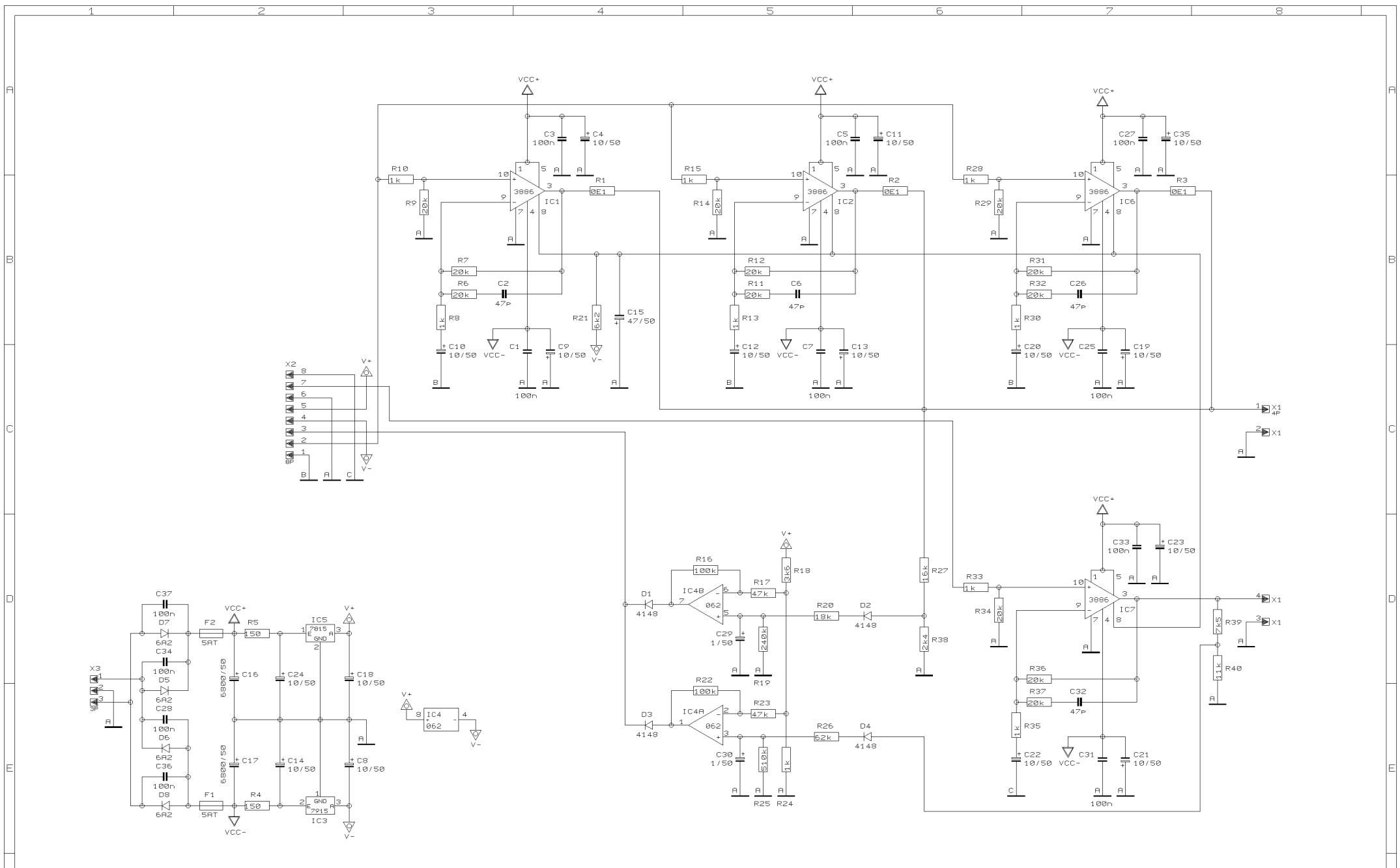
DRAWN FR

CHECKED

DATE 26.03. 4
8:19



PROJECT B300
ULTRAWAVE
POWER AMPLIFIER
SHEET 1 OF 1 SHEETS TOTAL



REVISIONS H (26/02/03)

DRAWN FR

CHECKED

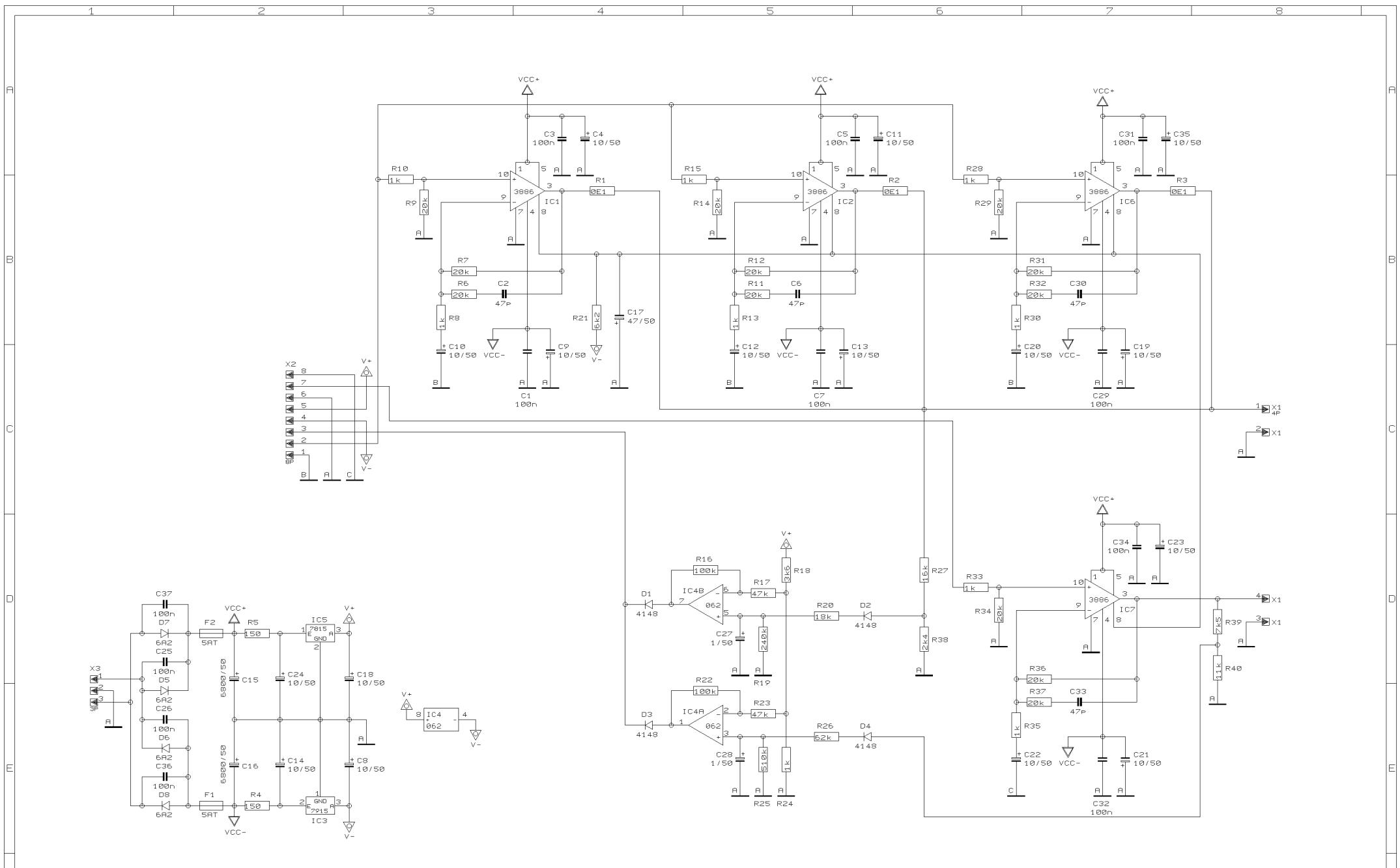
DATE 26.03.4
8:22

BEHRINGER[®]

Specialized Studio Equipment

PROJECT
B300
ULTRAWAVE
POWER AMPLIFIER

SHEET 1 OF 1 SHEETS TOTAL

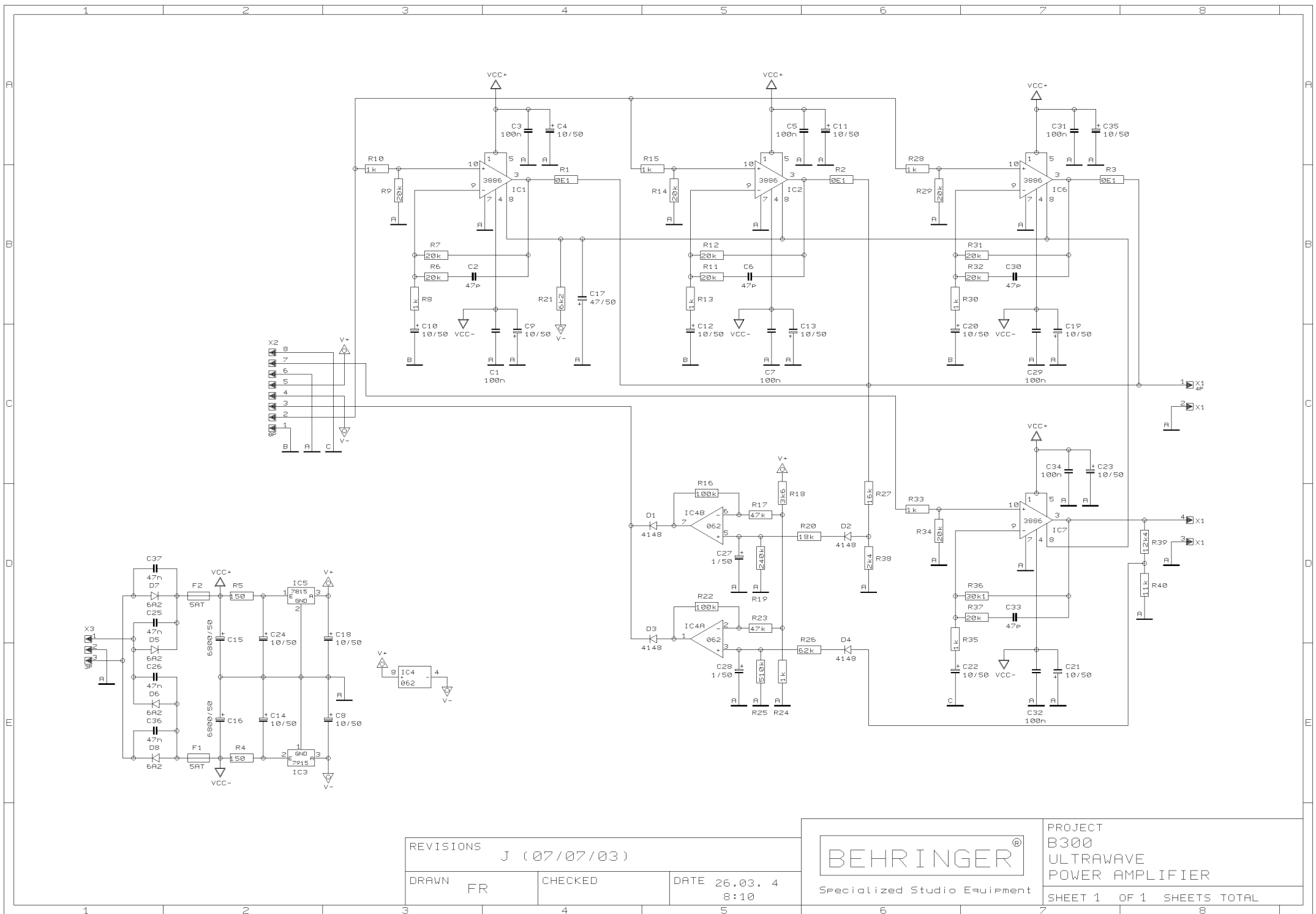


REVISIONS I (01/04/03)

DRAWN FR CHECKED DATE 26.03. 4 8:04



PROJECT B300
 ULTRAWAVE POWER AMPLIFIER
 SHEET 1 OF 1 SHEETS TOTAL



REVISIONS J (07/07/03)

DRAWN FR

CHECKED

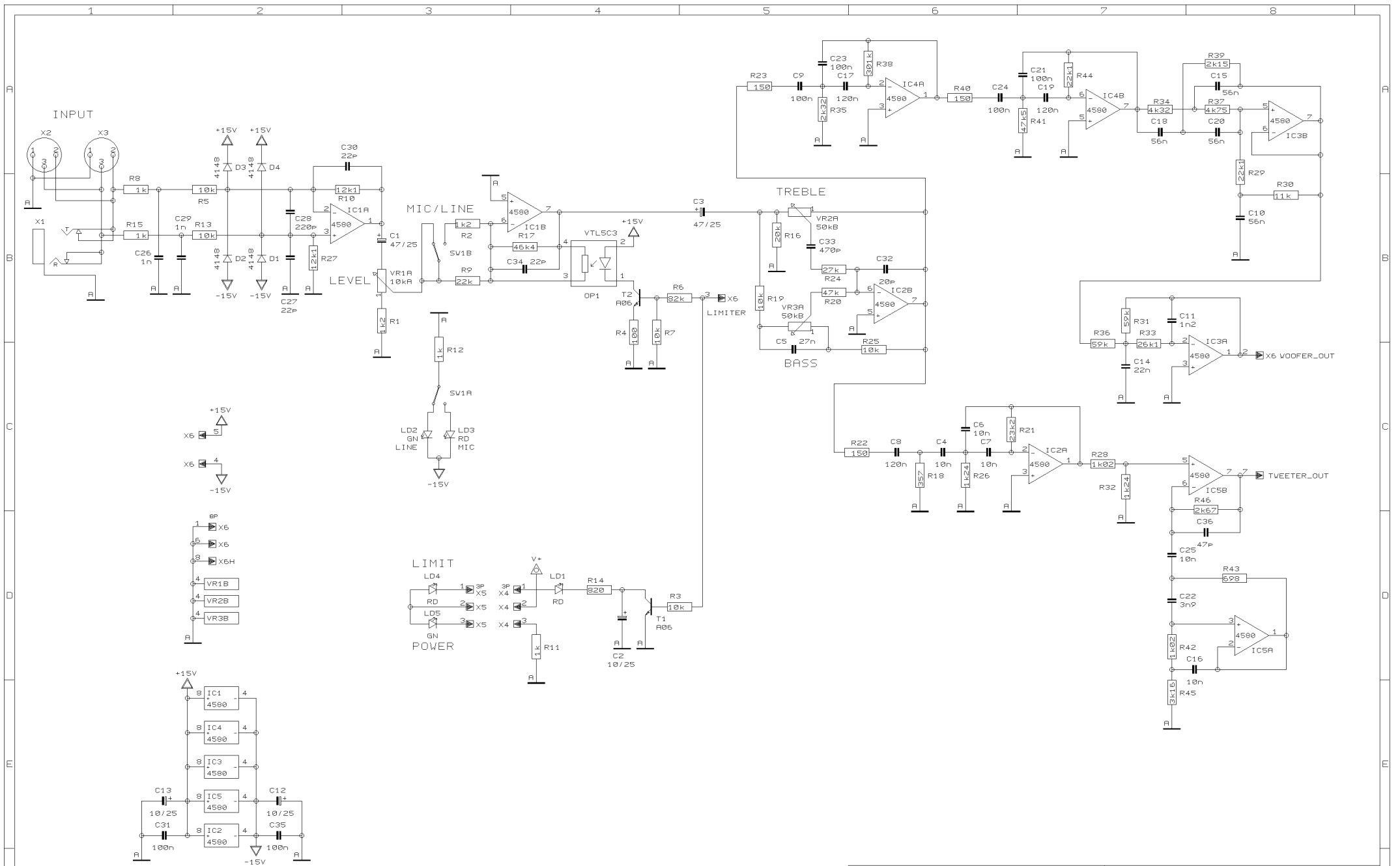
DATE 26.03. 4
8:10

BEHRINGER[®]

Specialized Studio Equipment

PROJECT
B300
ULTRAWAVE
POWER AMPLIFIER

SHEET 1 OF 1 SHEETS TOTAL



REVISIONS

C

DRAWN DF

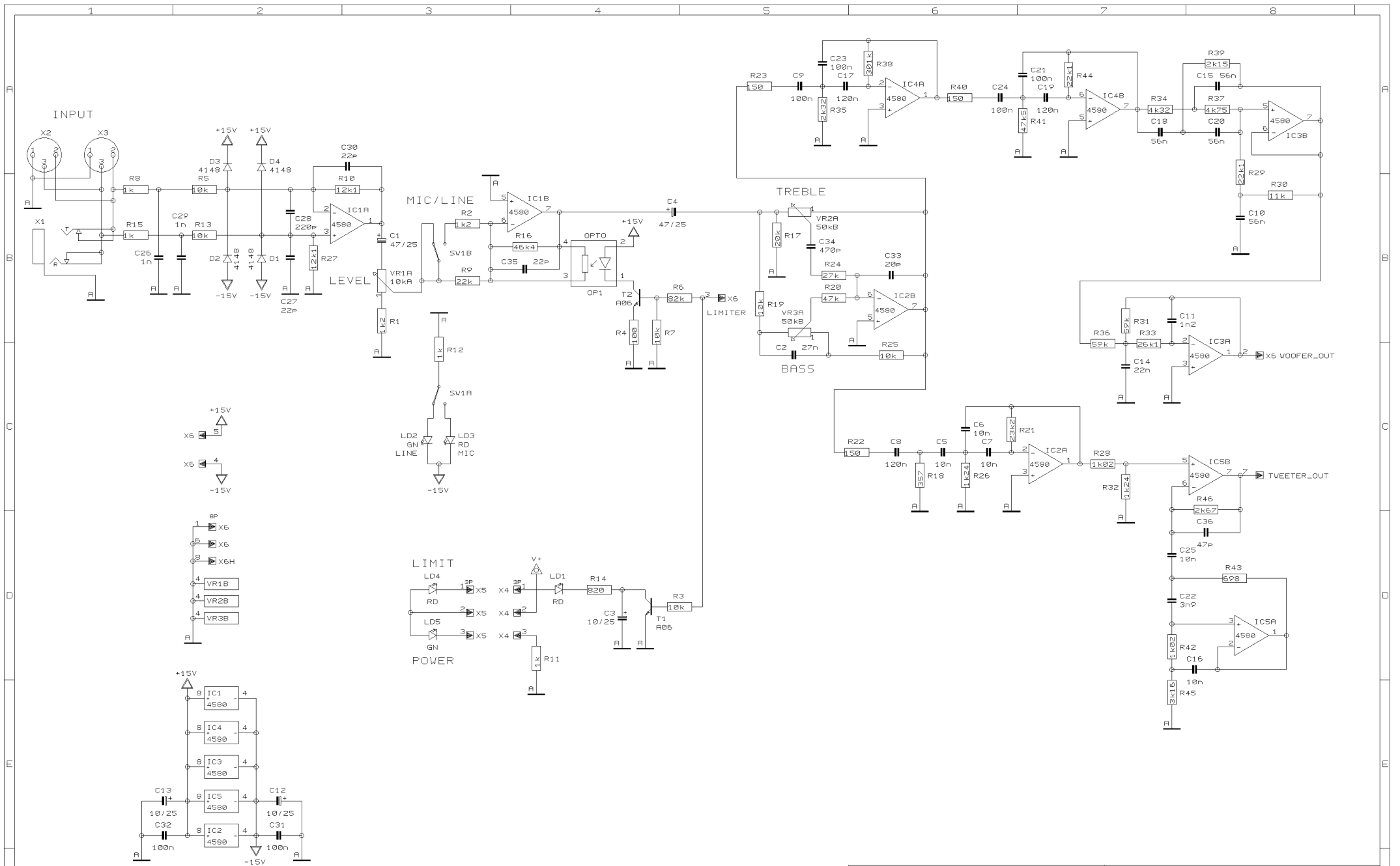
CHECKED

DATE 19.02. 1
8:29



Specialized Studio Equipment

PROJECT
XOVER
B300
INPUT / LIMITER / XOVER
SHEET 1 OF 1 SHEETS TOTAL



REVISIONS

D

DRAWN

DF

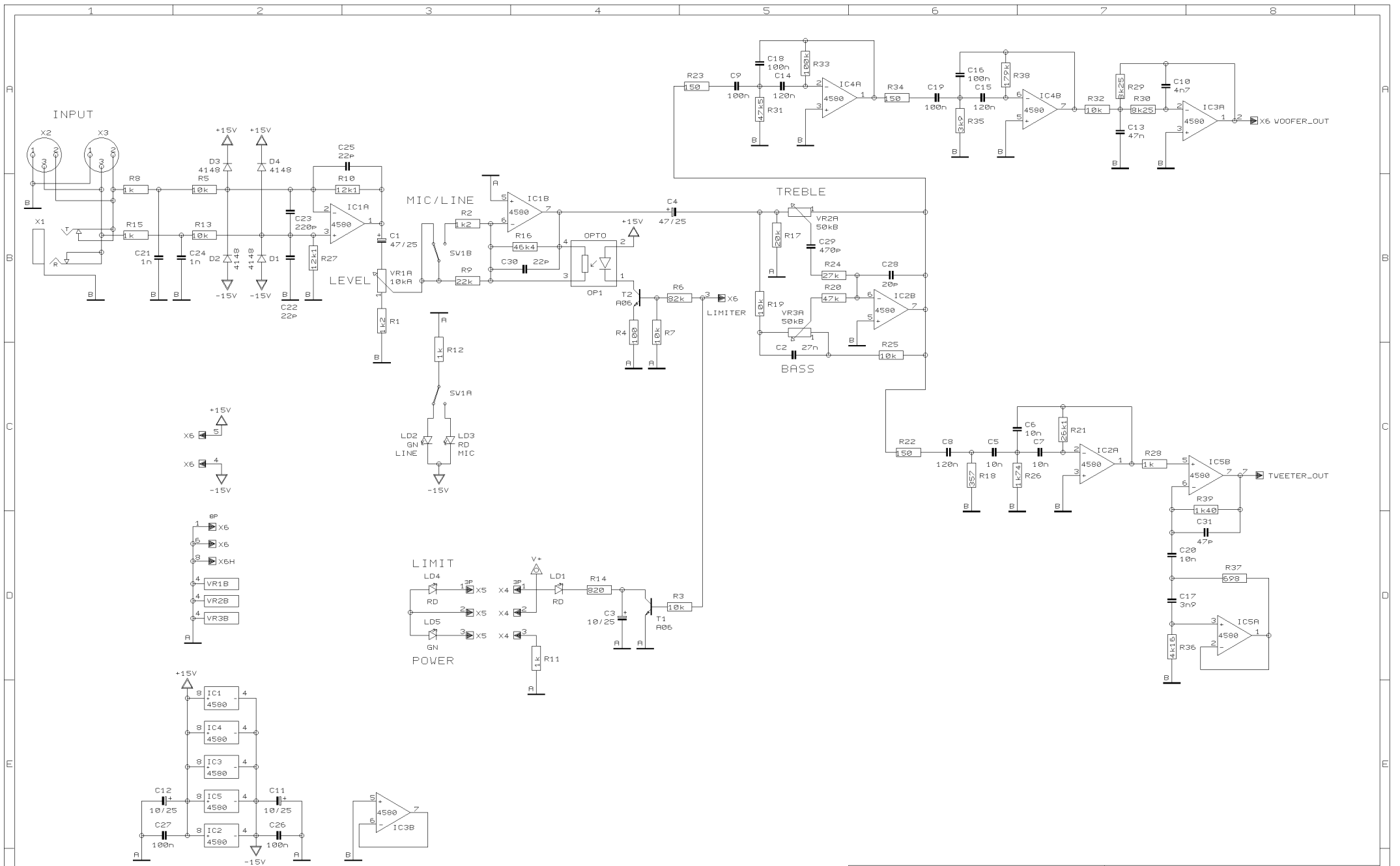
CHECKED

DATE 19.02. 1
8:30



Specialized Studio Equipment

PROJECT
XOVER
ULTRAWAVE (B300)
INPUT / LIMITER / XOVER
SHEET 1 OF 1 SHEETS TOTAL



REVISIONS
E (120400)

DRAWN

DF

CHECKED

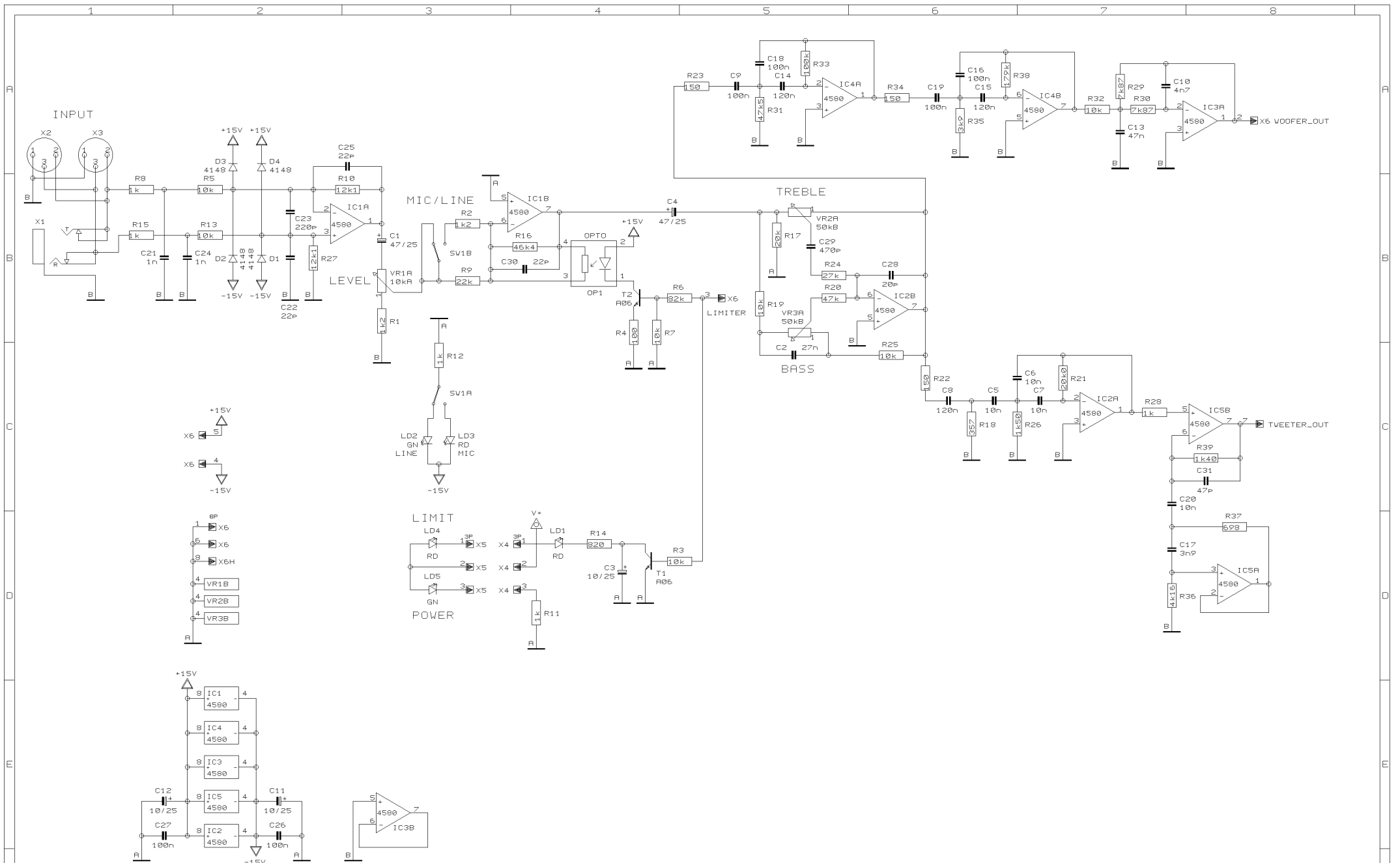
DATE 19.02. 1
8:30

BEHRINGER®

Specialized Studio Equipment

PROJECT
XOVER
ULTRAWAVE (B300)
INPUT / LIMITER / XOVER

SHEET 1 OF 1 SHEETS TOTAL



REVISIONS F (120601)

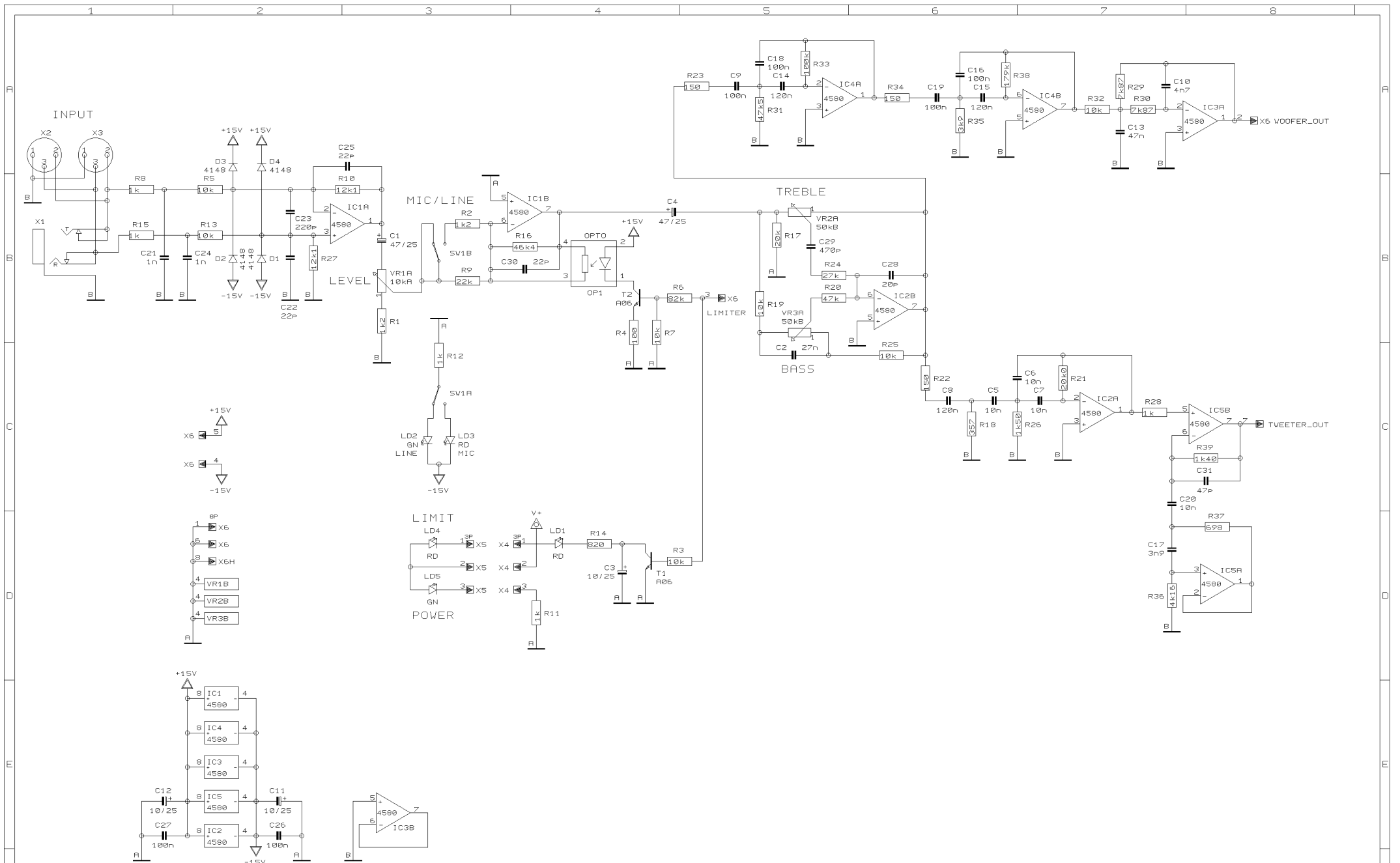
DRAWN DF

CHECKED

DATE 25.09. 2
12:25



PROJECT
XOVER
ULTRAWAVE (B300)
INPUT / LIMITER / XOVER
SHEET 1 OF 1 SHEETS TOTAL



REVISIONS F (120601)

DRAWN DF

CHECKED

DATE 25.09. 2
12:48



PROJECT
XOVER
ULTRAWAVE (B300)
INPUT / LIMITER / XOVER
SHEET 1 OF 1 SHEETS TOTAL