

REVISIONS A (06/11/06)

DRAWN TZ

CHECKED

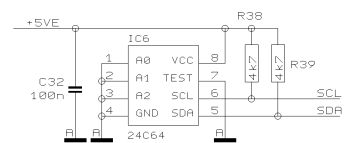
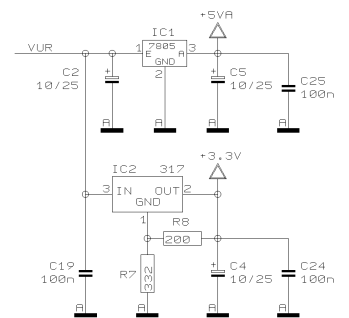
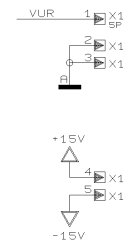
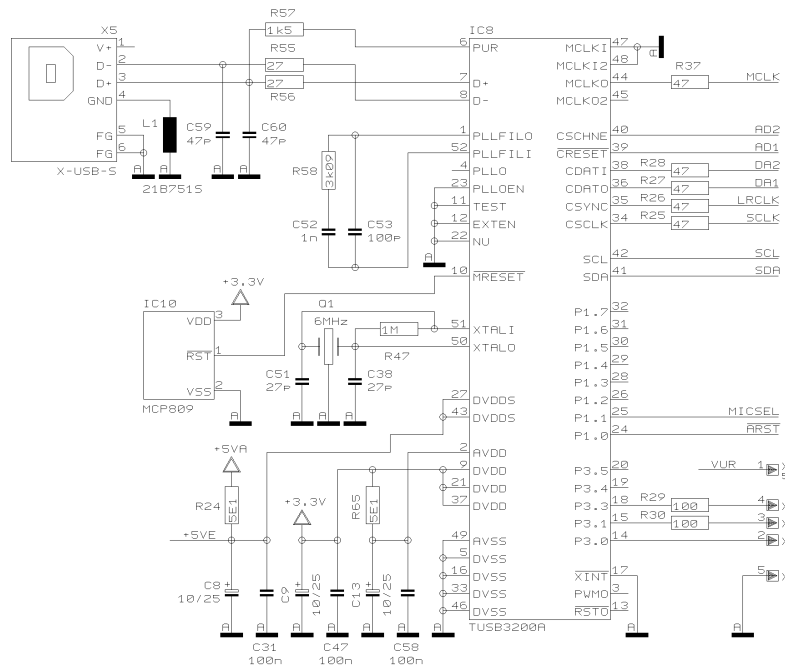
DATE 06.11. 6
12:03

BEHRINGER®


Specialized Studio Equipment

PROJECT
BCD_DIG
DIGITAL BOARD
CODECS & ANALOG

SHEET 1 OF 2 SHEETS TOTAL



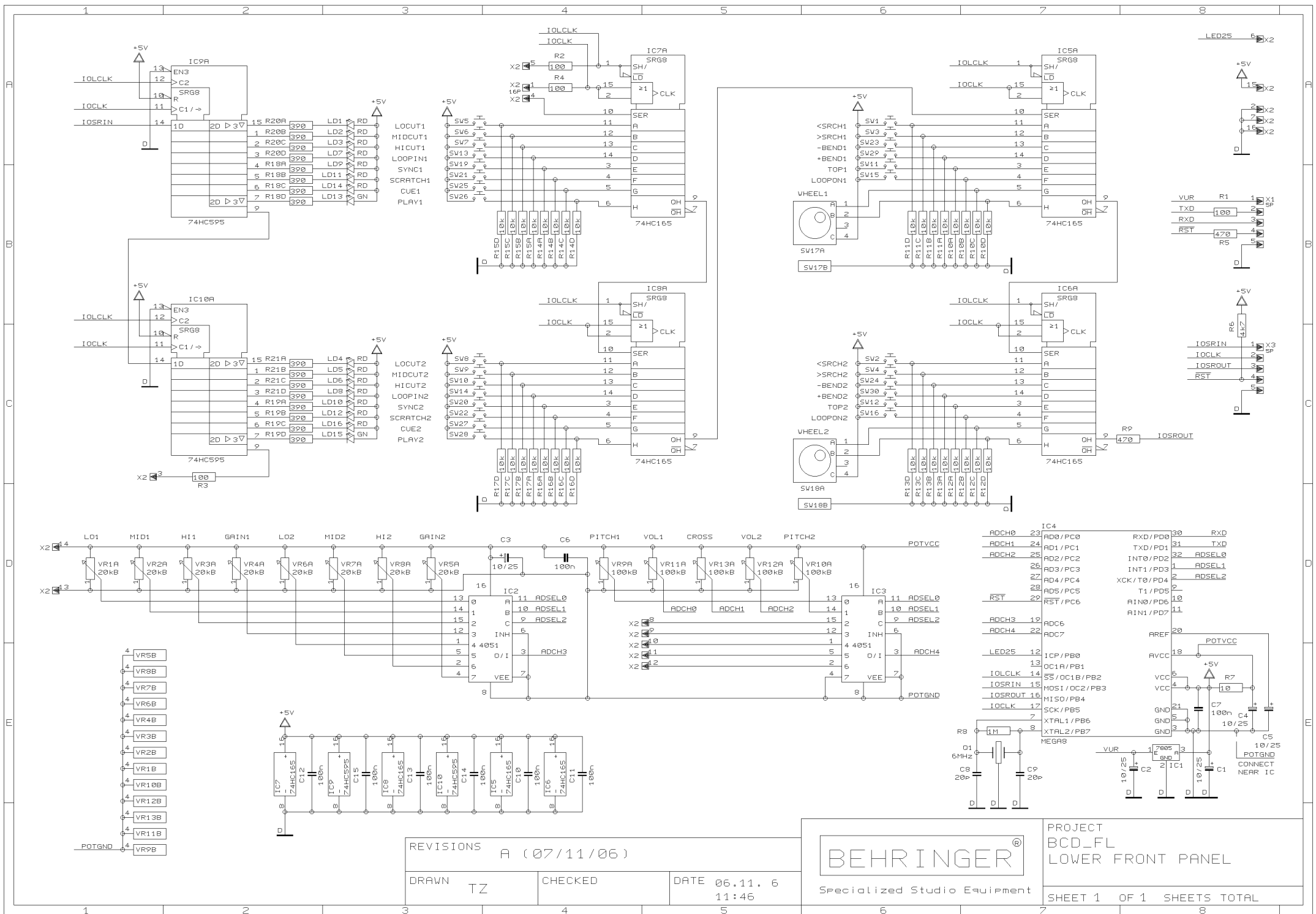
REVISIONS		D	
DRAWN	TZ	CHECKED	DATE 06.11. 6 12:03



Specialized Studio Equipment

PROJECT
BCD_DIG
DIGITAL BOARD
USB

SHEET 2 OF 2 SHEETS TOTAL

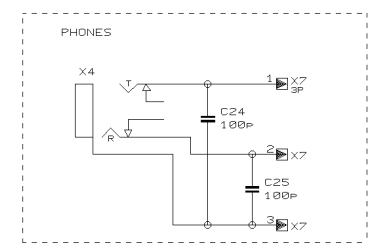
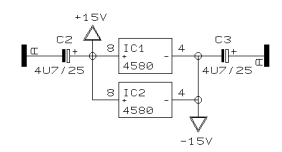
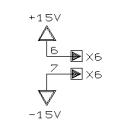
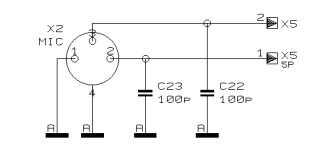
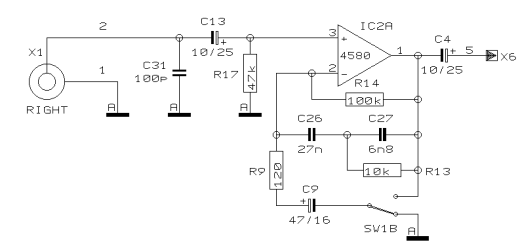
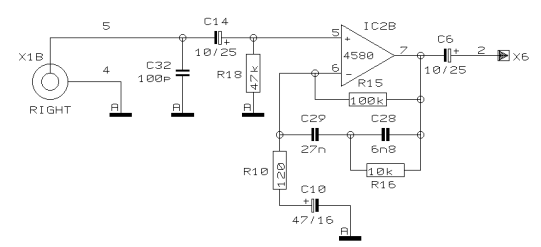
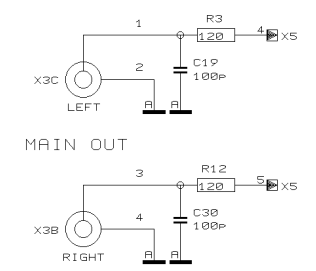
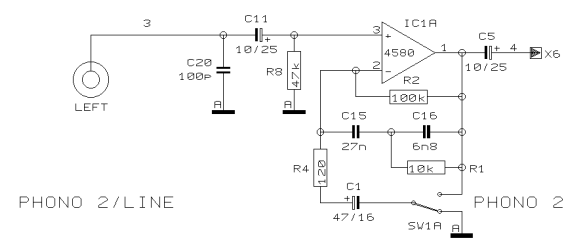
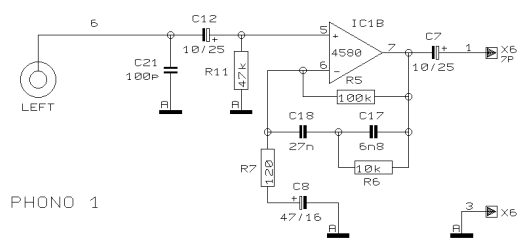


REVISIONS A (07/11/06)

DRAWN TZ CHECKED DATE 06.11. 6 11:46



PROJECT BCD_FL LOWER FRONT PANEL SHEET 1 OF 1 SHEETS TOTAL

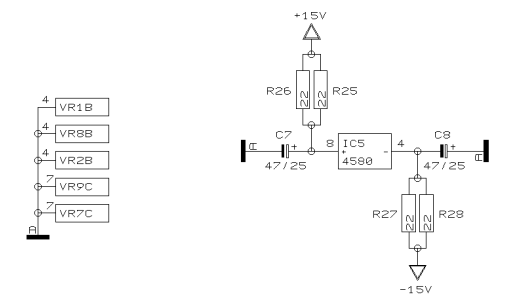
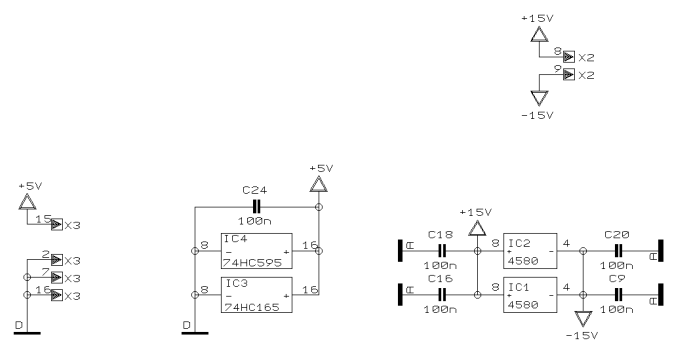
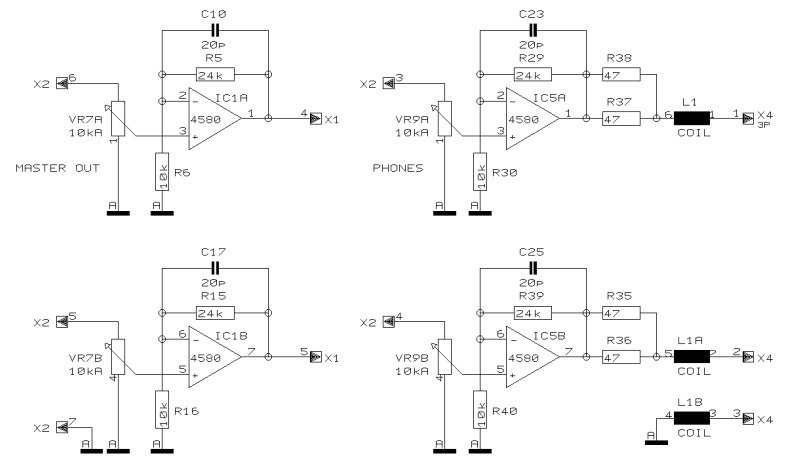
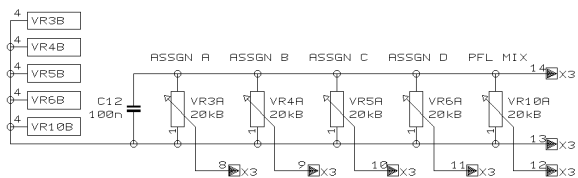
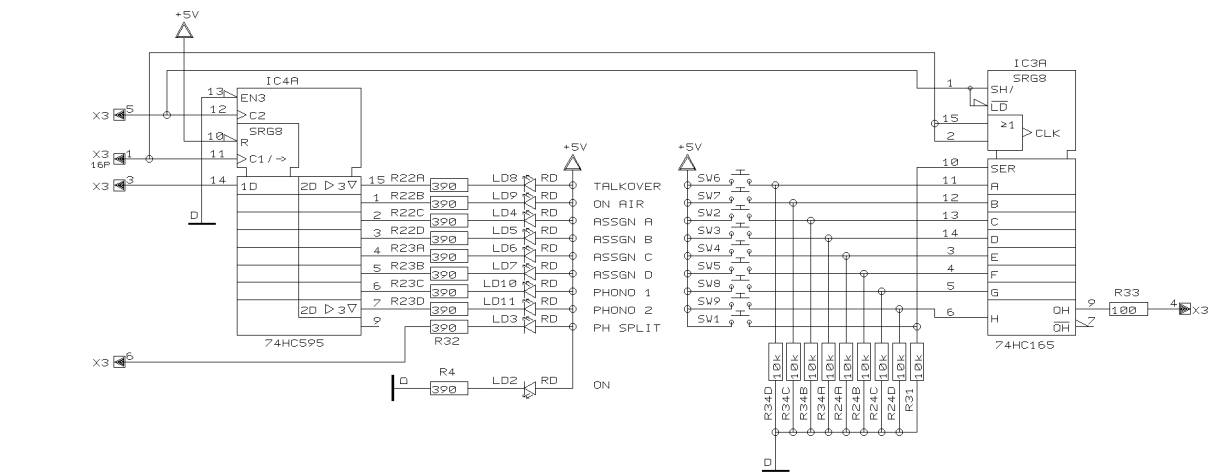
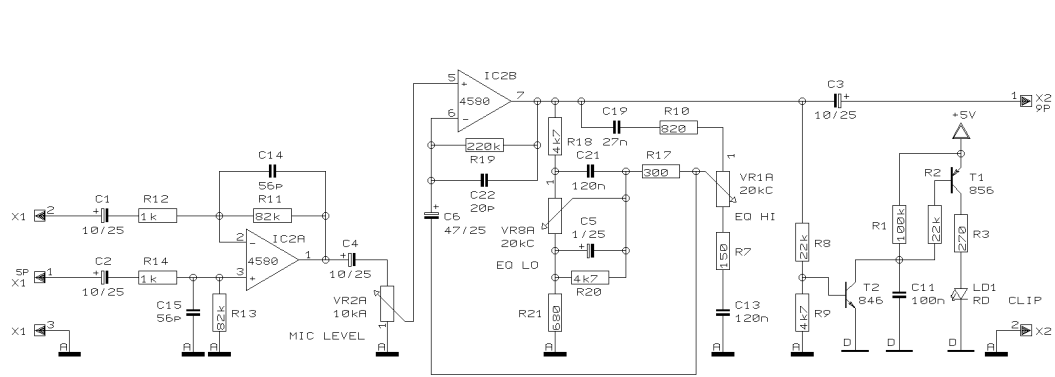


REVISIONS		A (09/11/06)	
DRAWN	TZ	CHECKED	DATE 06.11. 6 17:42



PROJECT
BCD_RP
REAR PANEL

SHEET 1 OF 1 SHEETS TOTAL



REVISIONS A (08/11/06)

DRAWN TZ

CHECKED

DATE 06.11. 6
13:14



PROJECT BCD_FU
UPPER FRONT PANEL

SHEET 1 OF 1 SHEETS TOTAL