

REVISIONS

DRAWN BHK

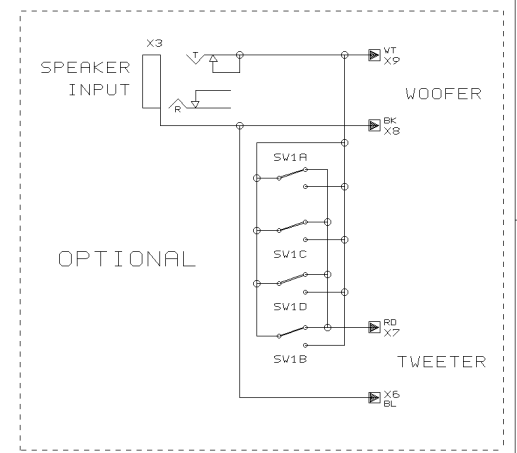
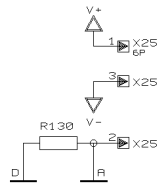
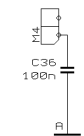
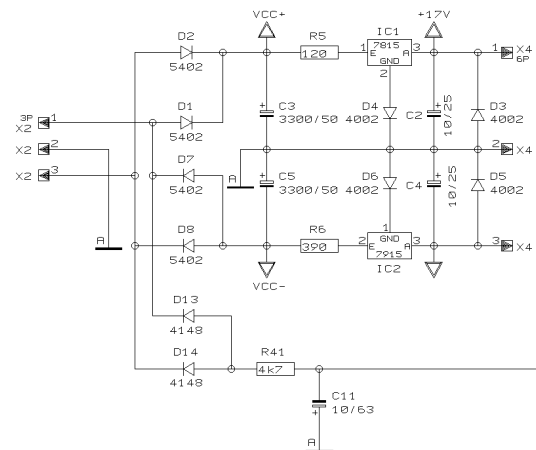
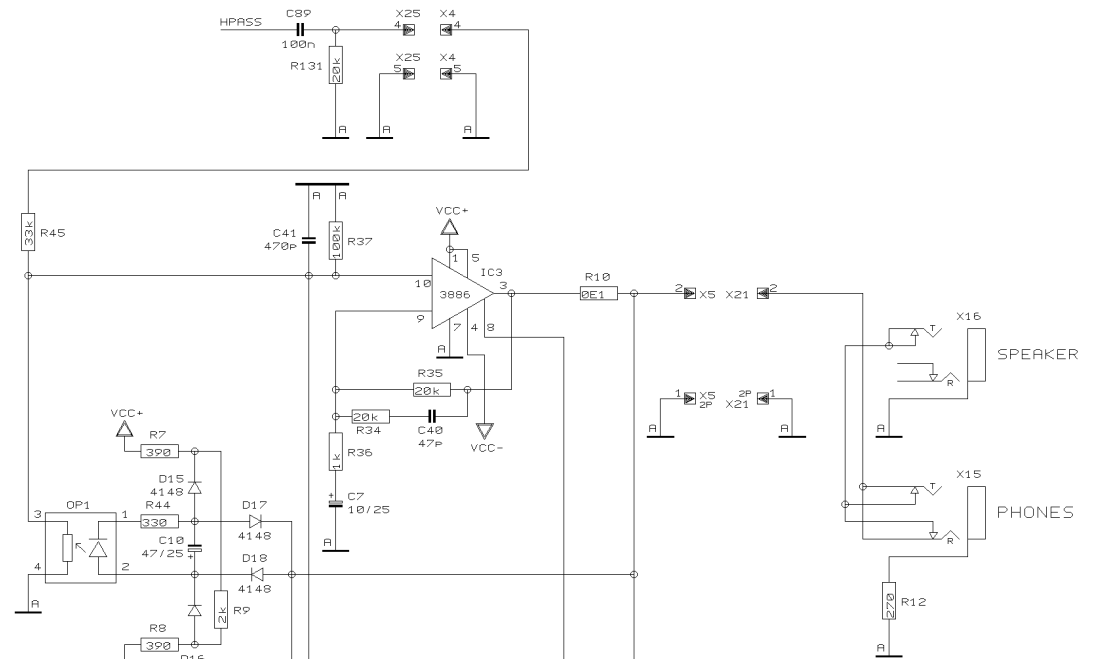
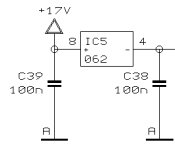
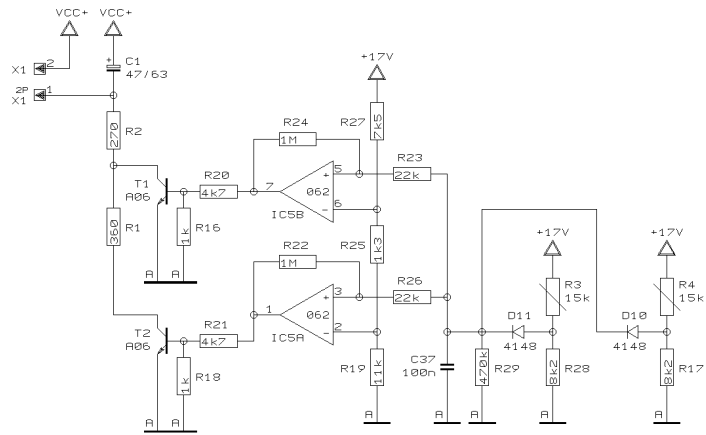
CHECKED

DATE 19.02. 1
10:35



PROJECT
BX1200
ULTRABASS
FOOTSWITCH

SHEET 2 OF 3 SHEETS TOTAL



REVISIONS		F	
DRAWN	BHK	CHECKED	DATE 19.02. 10:35



PROJECT
BX1200
ULTRABASS
BX120

SHEET 3 OF 3 SHEETS TOTAL