

PASSIVE

ACTIVE

GAIN_1

GAIN_2

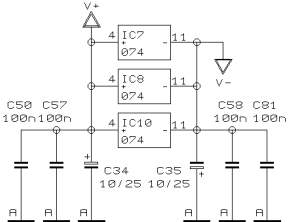
SHAPE

ULTRABASS

MASTER

ACTIVE

- 4 VR9B
- 4 VR9A
- 4 VR4B
- 4 VR2B
- 7 VR3C
- 4 VR1B
- 4 VR7B
- 4 VR6B
- 4 VR5B



REVISIONS H (131100)

DRAWN BHK

CHECKED

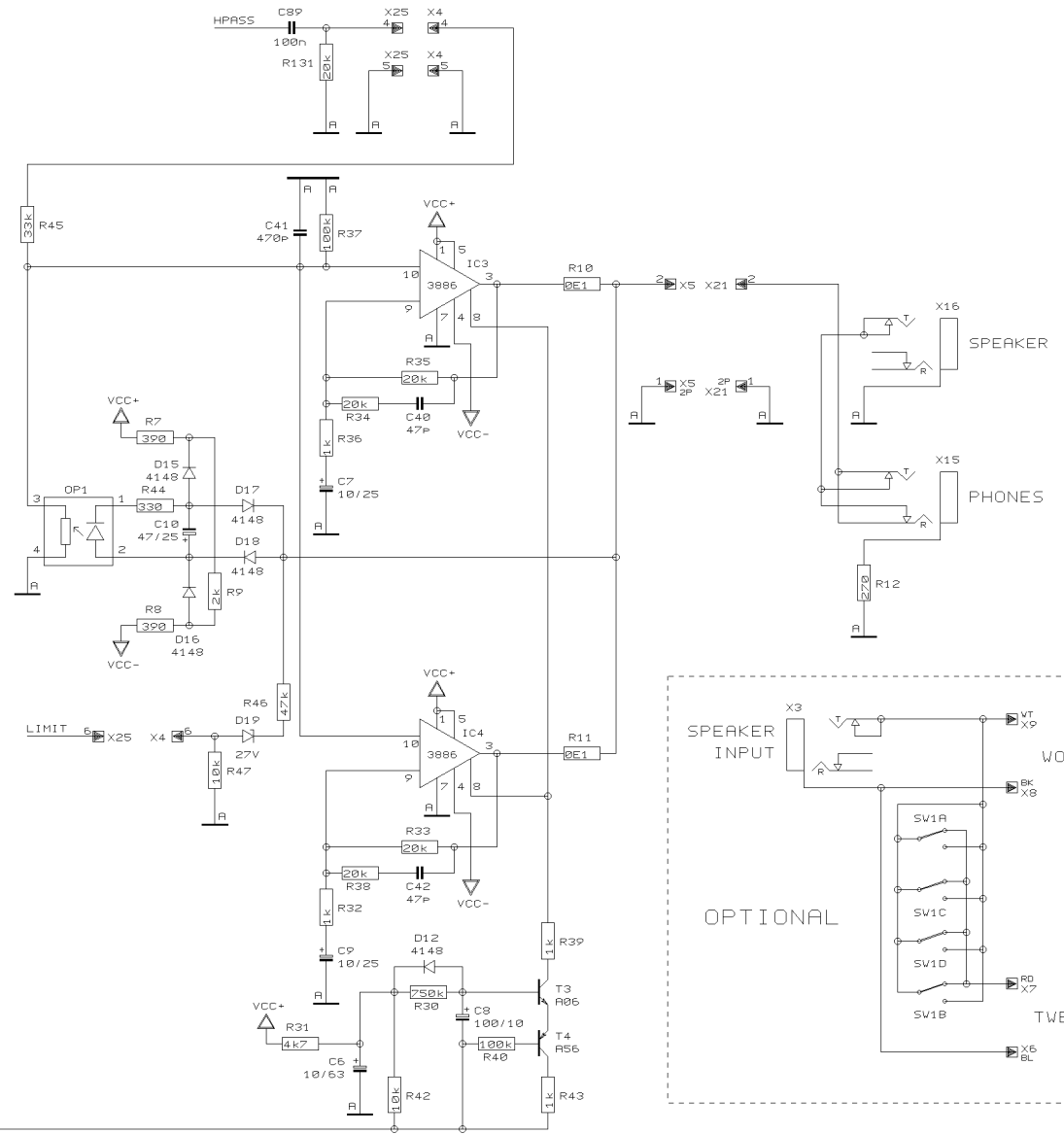
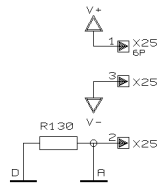
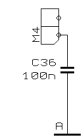
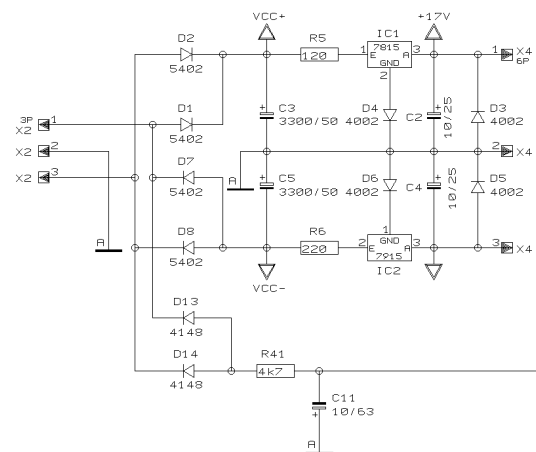
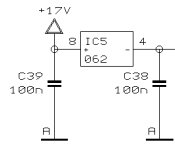
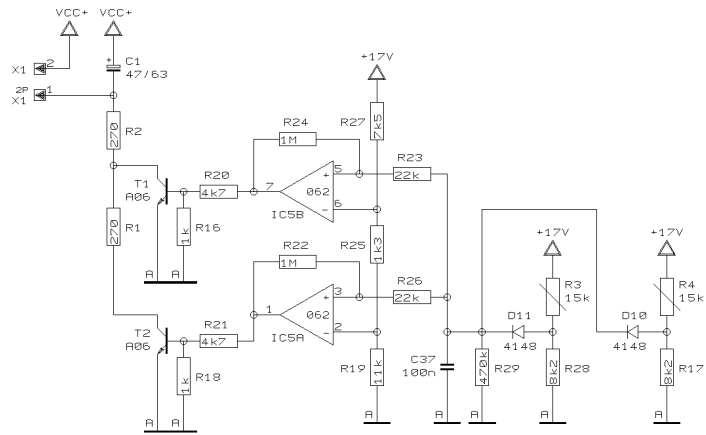
DATE 04.04. 2
13:16

BEHRINGER®

Specialized Studio Equipment

PROJECT
BX1200
ULTRABASS
INPUT SECTION

SHEET 1 OF 3 SHEETS TOTAL



REVISIONS H

DRAWN BHK

CHECKED

DATE 04.04. 2
13:17



PROJECT
BX1200
ULTRABASS
BX120

SHEET 3 OF 3 SHEETS TOTAL