

REVISIONS H (090300)

DRAWN

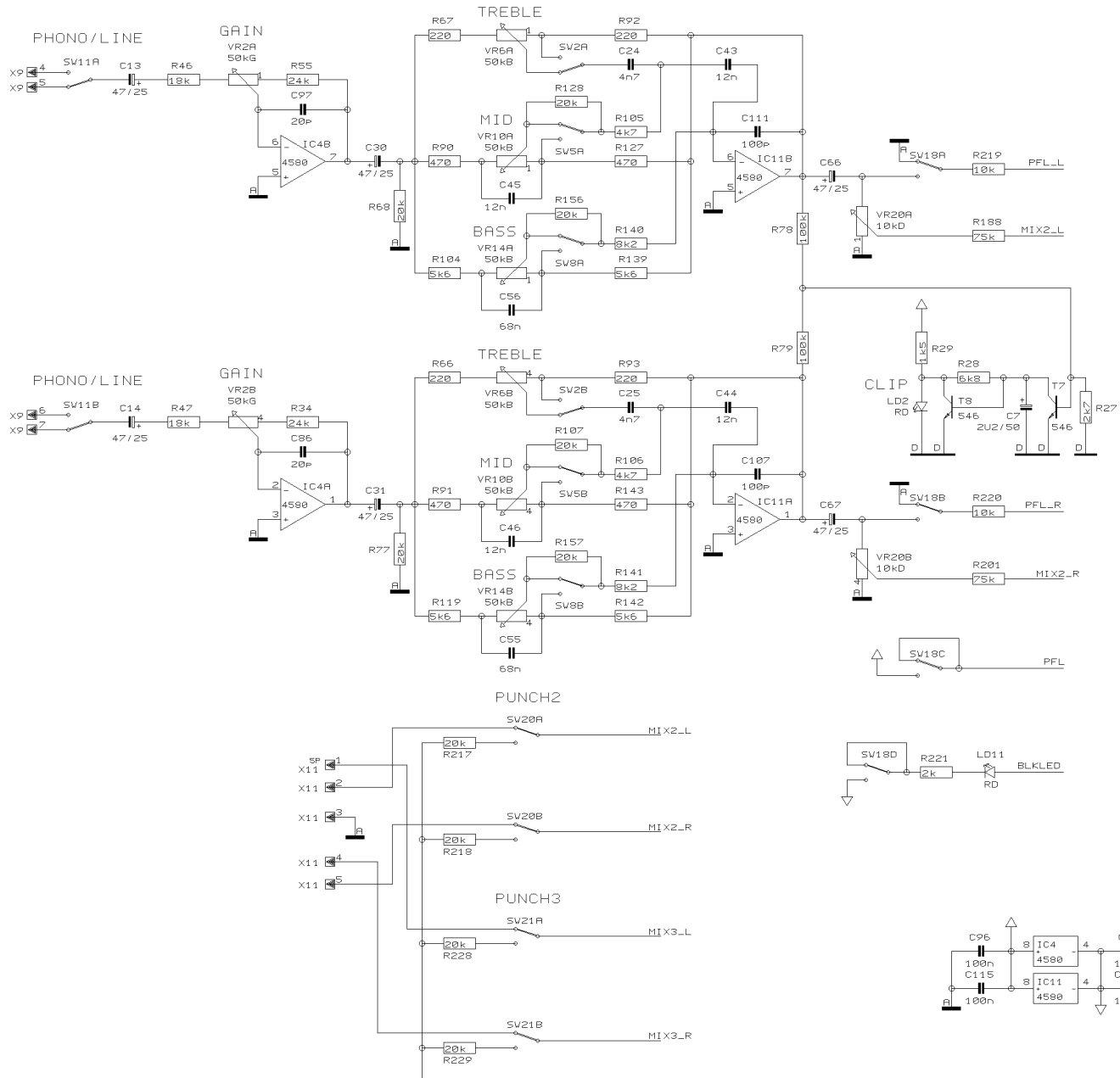
CHECKED

DATE 08.02. 1
11:14



PROJECT
DX500M
MIC/PHONO
CHANNEL_1

SHEET 1 OF 6 SHEETS TOTAL

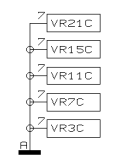
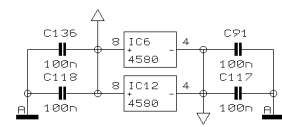
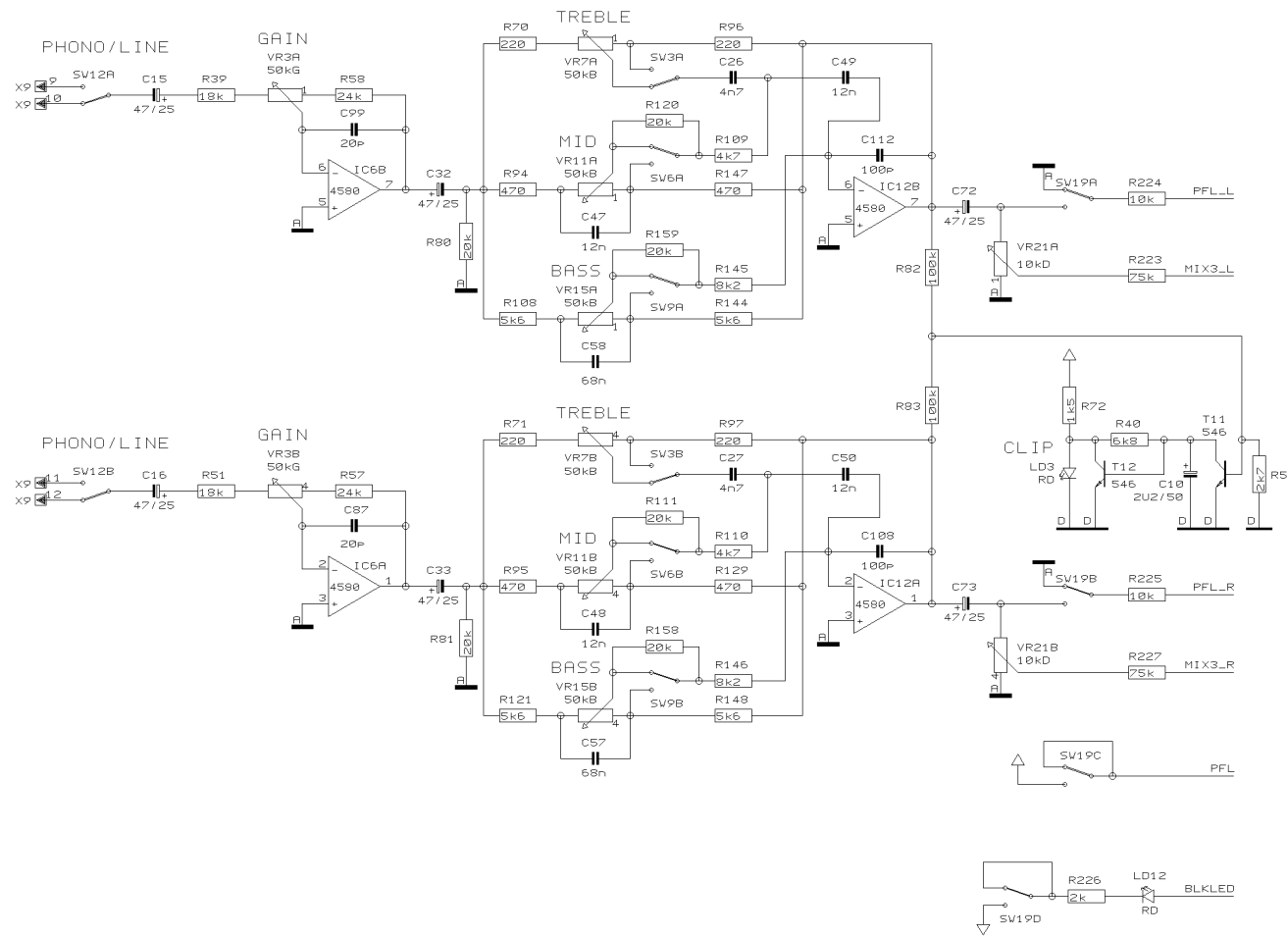


REVISIONS

H		
DRAWN	CHECKED	DATE 08.02. 11:14



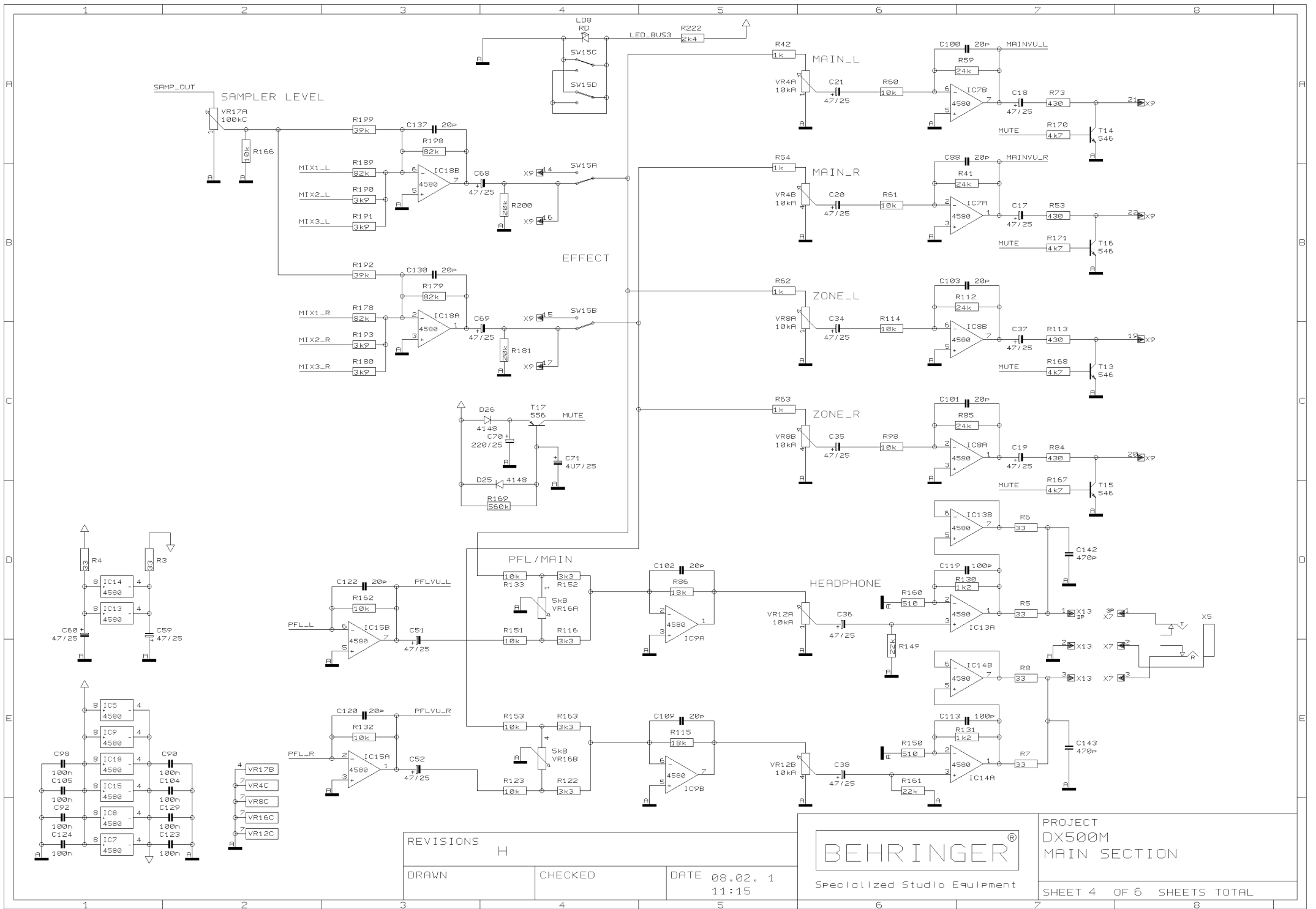
PROJECT
DX500M
LINE / PHONO
CHANNEL_2
SHEET 2 OF 6 SHEETS TOTAL



REVISIONS		
H		
DRAWN	CHECKED	DATE 08.02. 11:15



PROJECT
DX500M
LINE / PHONO
CHANNEL_3
SHEET 3 OF 6 SHEETS TOTAL



REVISIONS

H

DRAWN

CHECKED

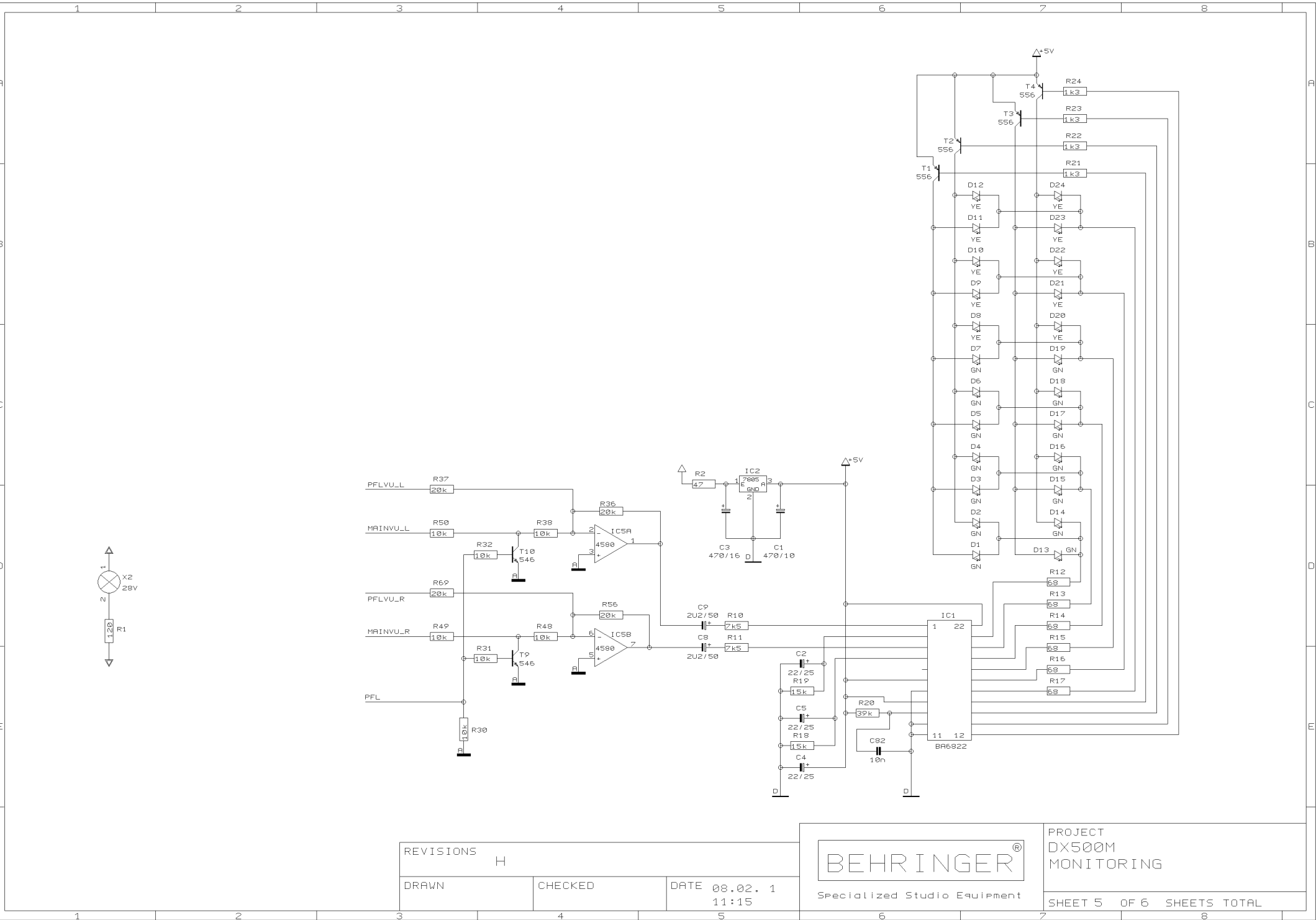
DATE 08.02. 1
11:15



Specialized Studio Equipment

PROJECT
DX500M
MAIN SECTION

SHEET 4 OF 6 SHEETS TOTAL



REVISIONS

H

DRAWN

CHECKED

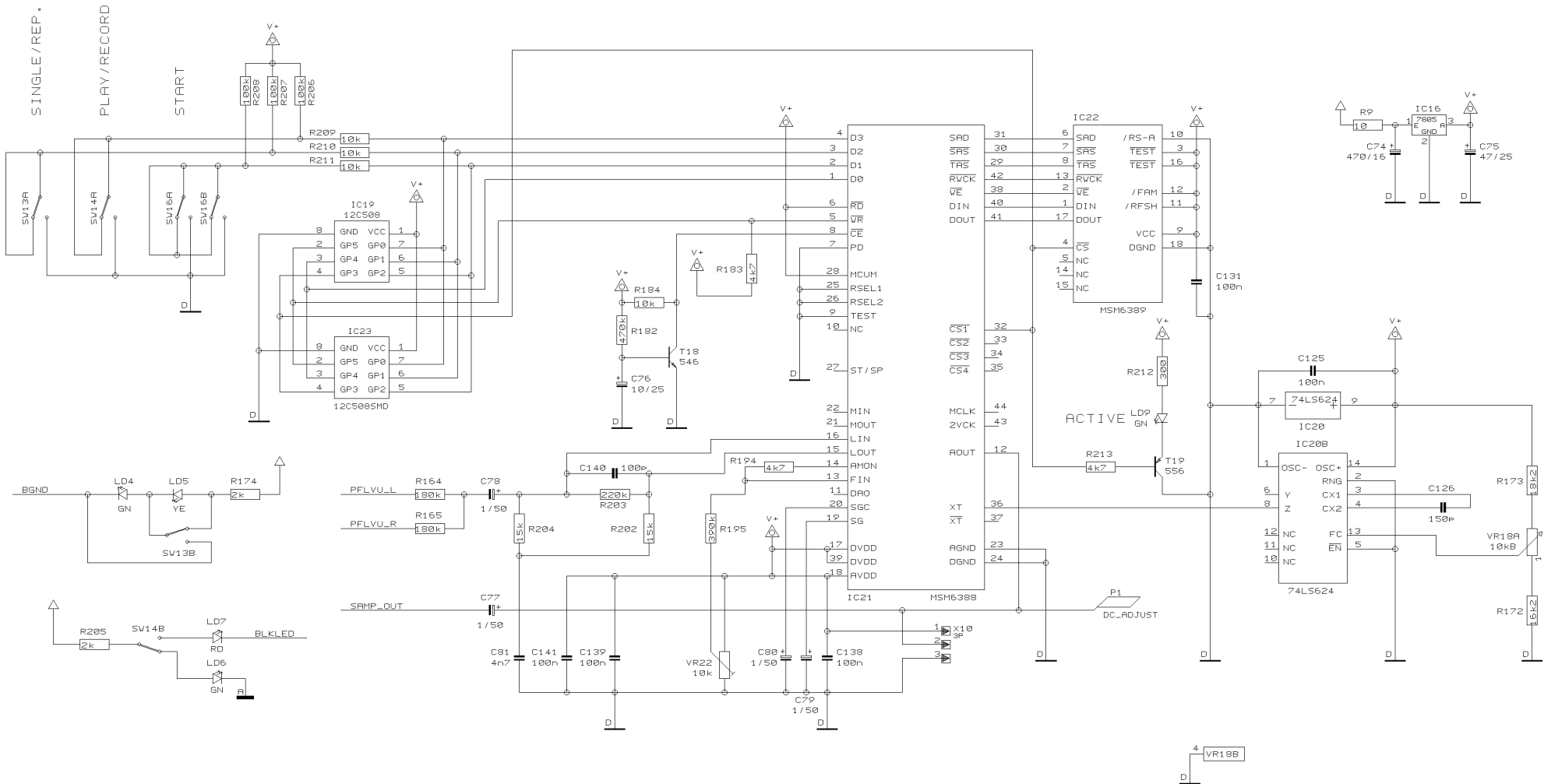
DATE 08.02. 1
11:15

BEHRINGER®

Specialized Studio Equipment

PROJECT
DX500M
MONITORING

SHEET 5 OF 6 SHEETS TOTAL



REVISIONS

DRAWN

CHECKED

DATE 08.02. 1
11:15

BEHRINGER®

Specialized Studio Equipment

PROJECT
DX500M
SAMPLER

SHEET 6 OF 6 SHEETS TOTAL