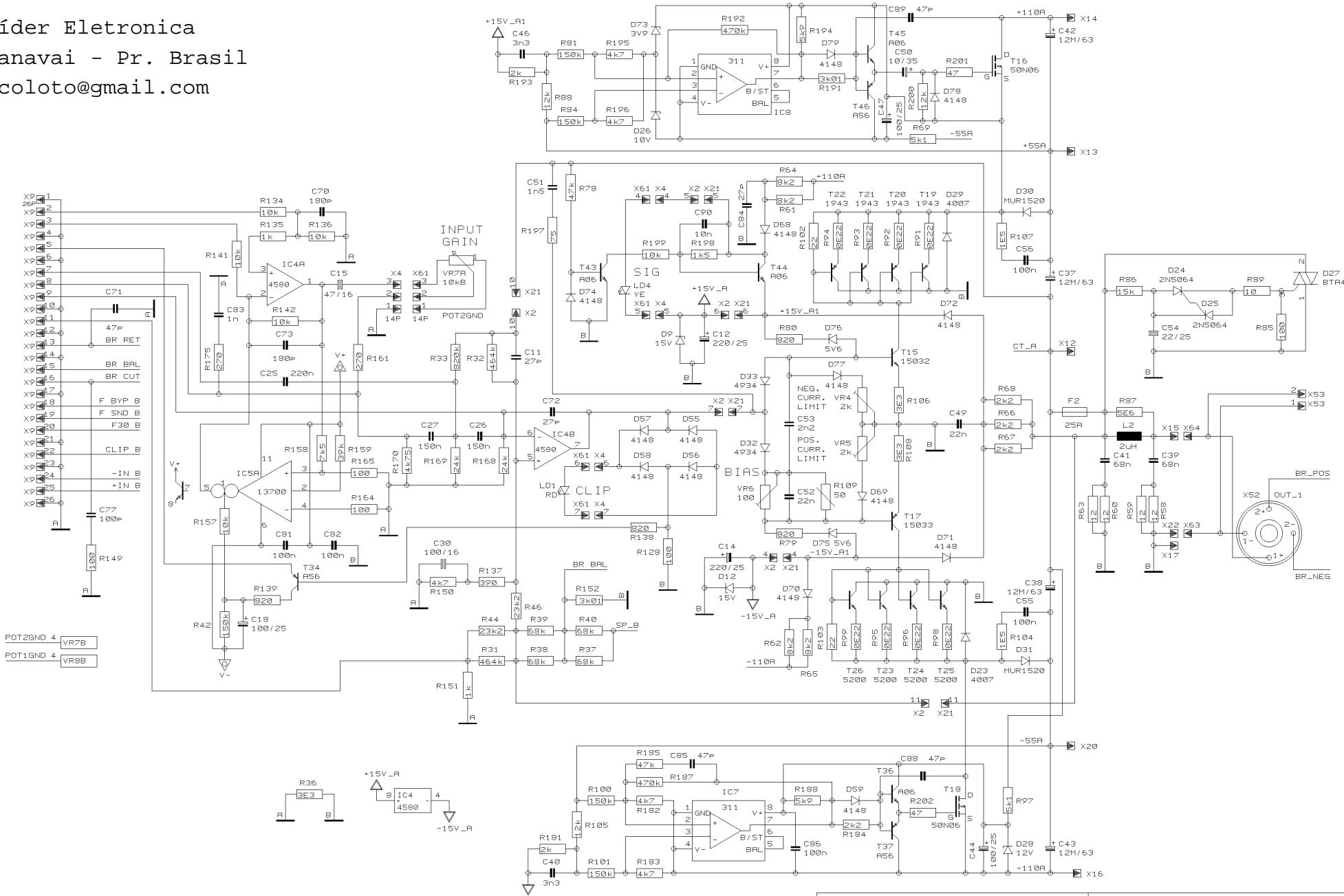


A Líder Eletronica
 Paranavai - Pr. Brasil
 npicoloto@gmail.com



REVISIONS G (11/07/03)

DRAWN DF/SA

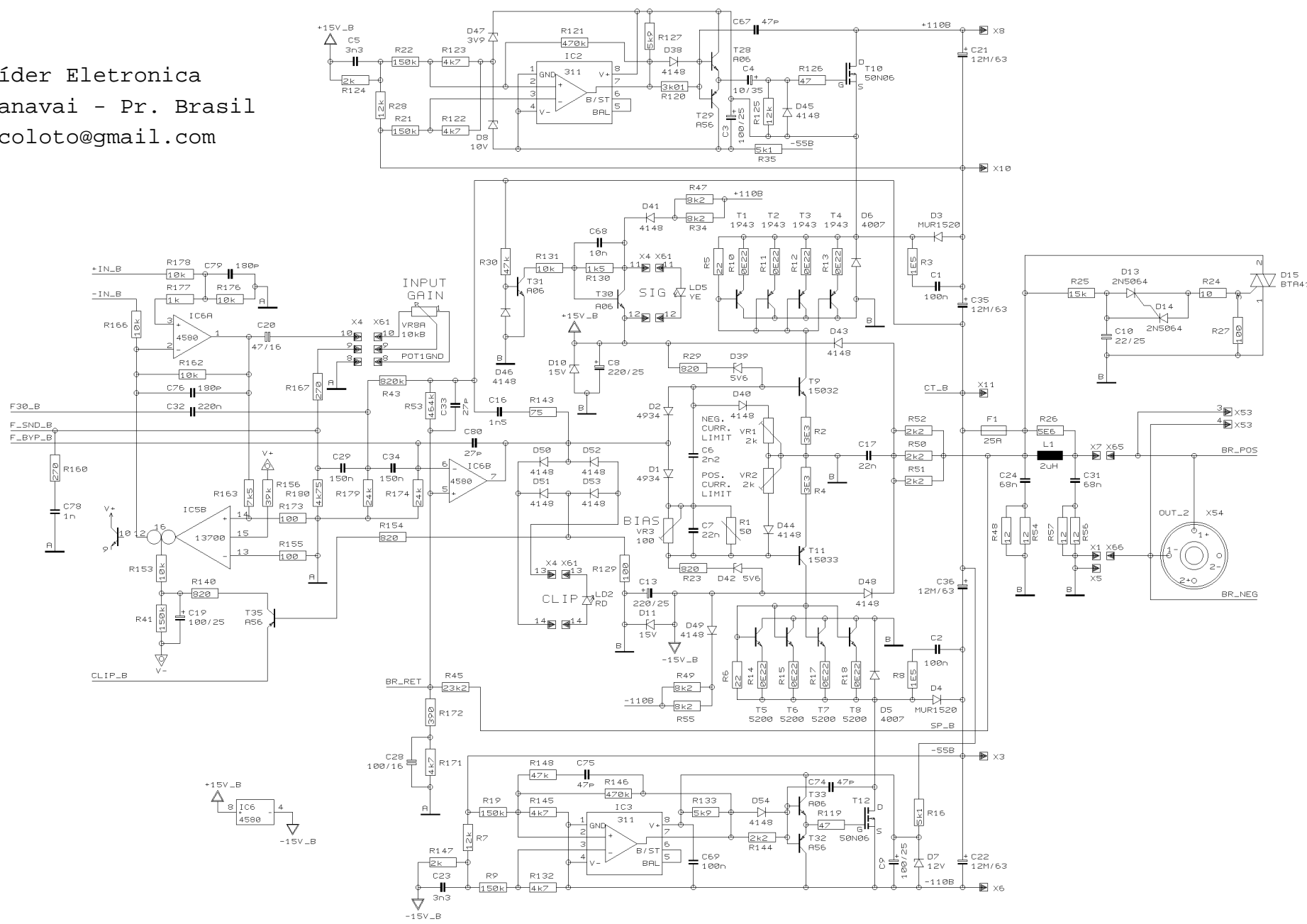
CHECKED

DATE 12.07.4
14:42



PROJECT
 EP2500
 EUROPOWER
 CHANNEL_1
 SHEET 1 OF 3 SHEETS TOTAL

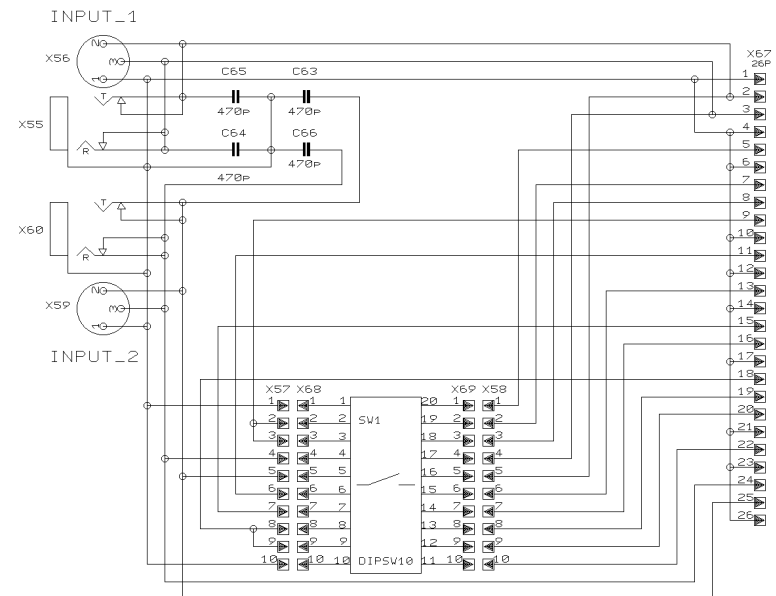
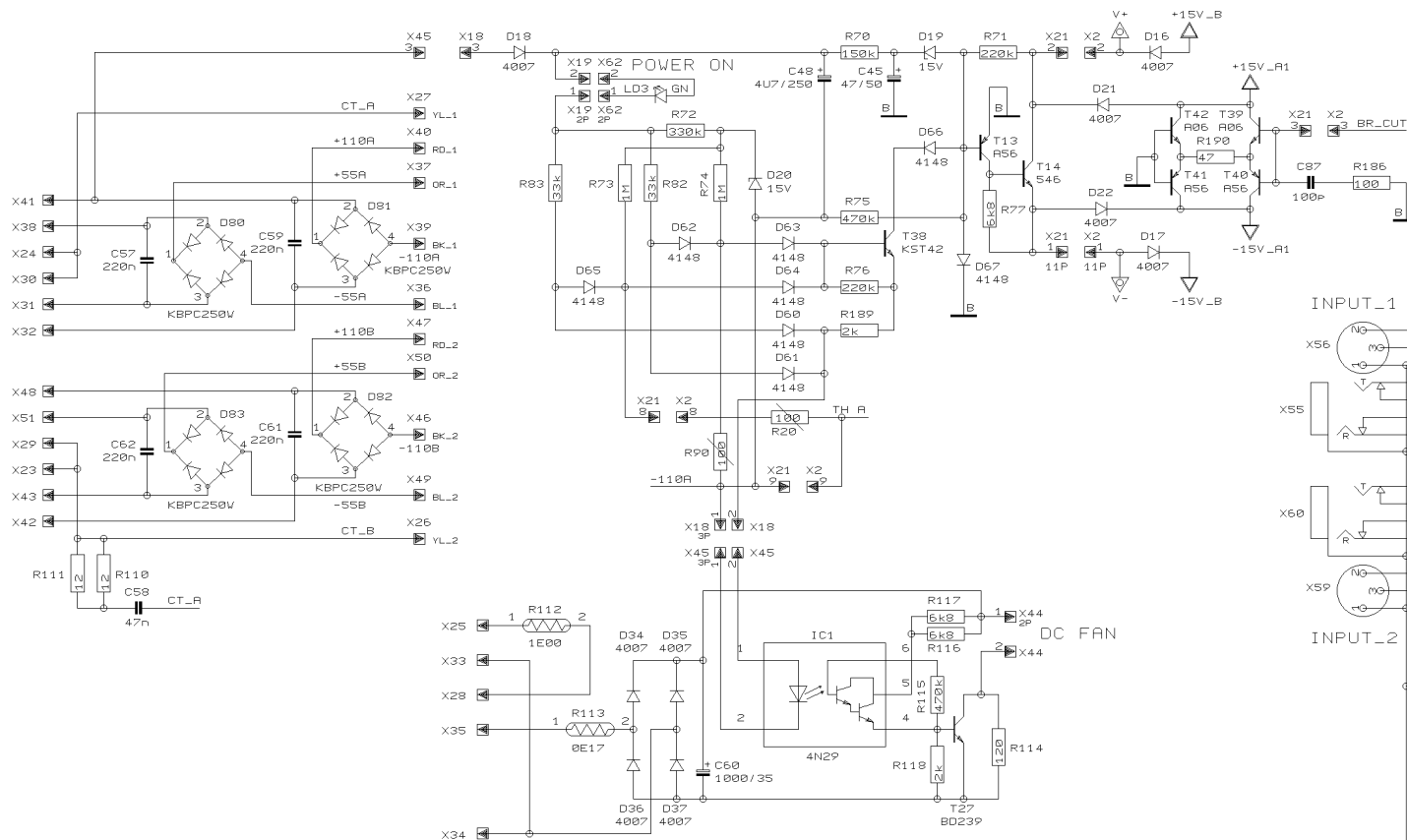
A Líder Eletronica
 Paranavai - Pr. Brasil
 npicoloto@gmail.com



REVISIONS	G		
DRAWN	DF / SA	CHECKED	DATE 12.07. 4 14:43



PROJECT
 EP2500
 EUROPOWER
 CHANNEL_2
 SHEET 2 OF 3 SHEETS TOTAL



DIP_SWITCH_FUNCTION

1	CH1_CLIP_LIMITER_OFF	20	CH1_CLIP_LIMITER_ON
2	CH1_LOW_FILTER_50HZ	19	CH1_LOW_FILTER_30HZ
3	CH1_LOW_FILTER_ON	18	CH1_LOW_FILTER_OFF
4	STEREO_MODE	17	PARALLEL_INPUTS
5	STEREO_MODE	16	PARALLEL_INPUTS
6	BRIDGE_MODE_OFF	15	BRIDGE_MODE_ON
7	BRIDGE_MODE_OFF	14	BRIDGE_MODE_ON
8	CH2_LOW_FILTER_ON	13	CH2_LOW_FILTER_OFF
9	CH2_LOW_FILTER_50HZ	12	CH2_LOW_FILTER_30HZ
10	CH2_CLIP_LIMITER_OFF	11	CH2_CLIP_LIMITER_ON

A Líder Eletrônica
 Paranavai - Pr. Brasil
 npicoloto@gmail.com

REVISIONS		G	
DRAWN	DF / SA	CHECKED	DATE 12.07. 4 14:43



PROJECT	EP2500
EUROPOWER	PSU/INPUT STAGE
SHEET 3 OF 3 SHEETS TOTAL	