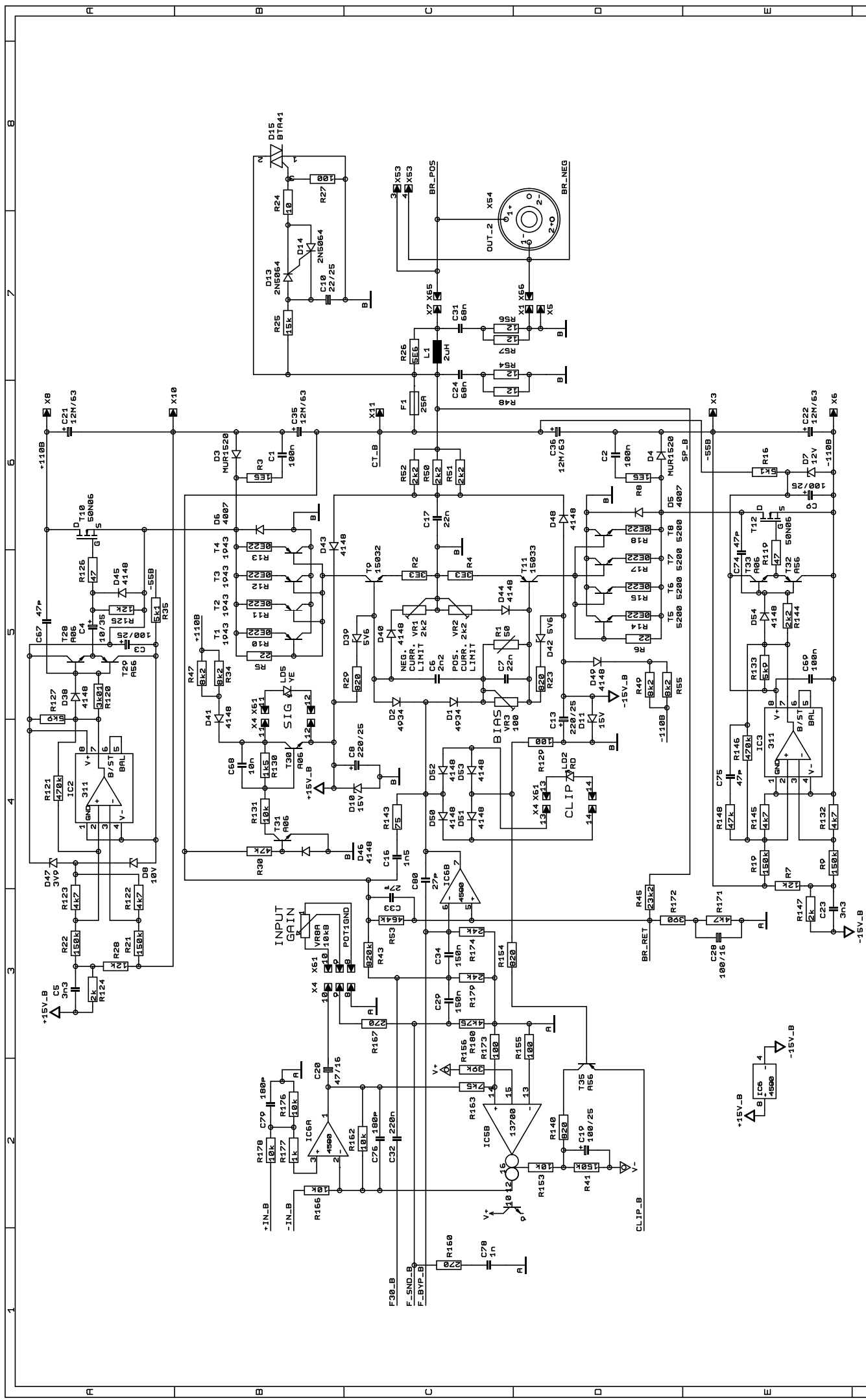


BEHRINGER
 PROJECT P0183
 EUROPOWER
 CHANNEL_1

REVISIONS H (23/03/09)
 DRAWN DF/SA CHECKED DATE 27.10.9 10:05
 SHEET 1 OF 3 SHEETS TOTAL 8

THIS DOCUMENT CONTAINS PROPRIETARY INFORMATION WHICH IS THE PROPERTY OF BEHRINGER. IT MAY NOT BE DISCLOSED, REPRODUCED OR USED WITHOUT EXPRESS WRITTEN CONSENT FROM BEHRINGER.

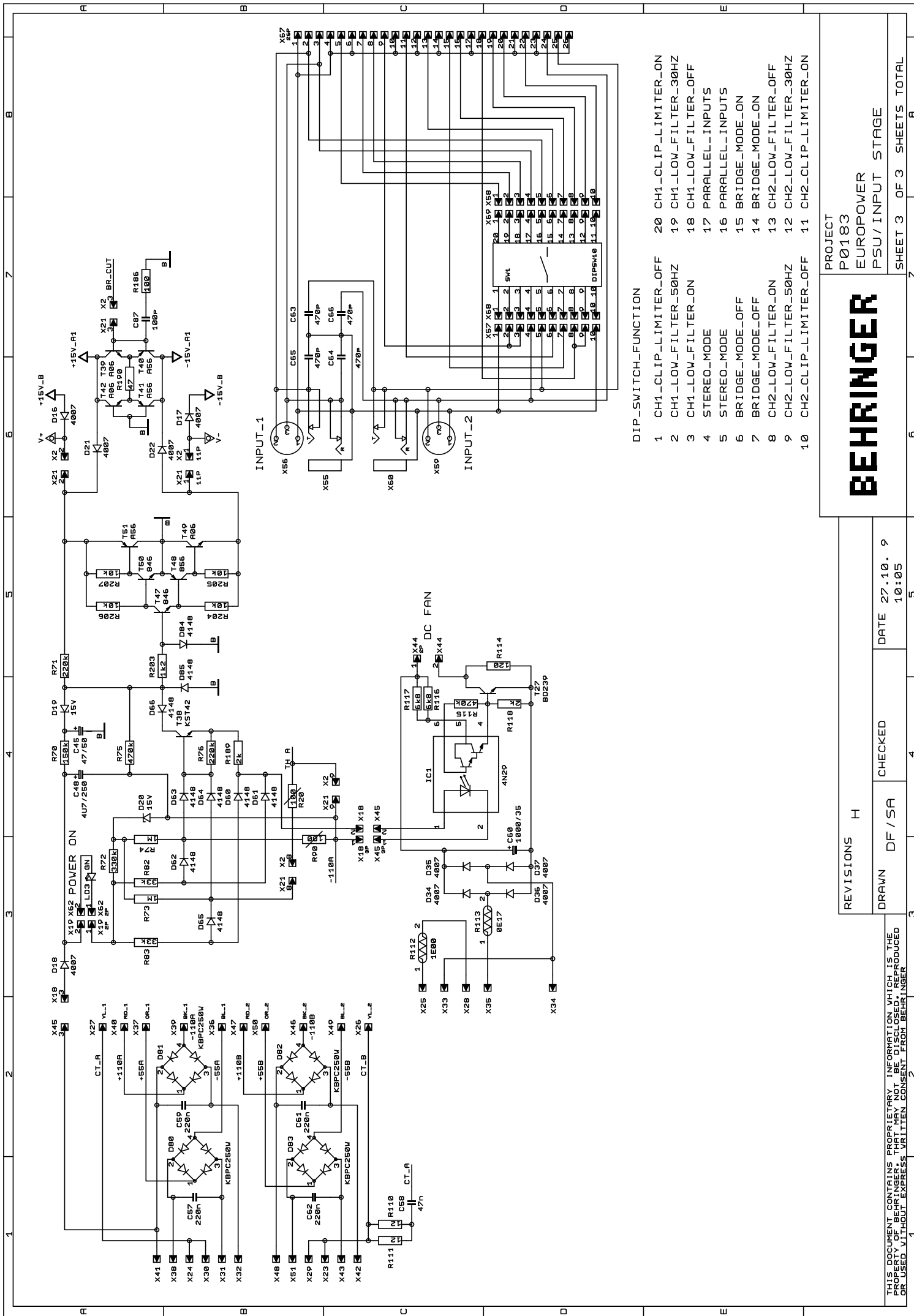


PROJECT
P0183
EUROPOWER
CHANNEL_2

BEHRINGER

REVISIONS	H	CHECKED	DATE
DRAWN	DF / SA	DATE	27.10. 9
SHEET 2	OF 3	SHEETS	TOTAL
6	7	8	8

THIS DOCUMENT CONTAINS PROPRIETARY INFORMATION WHICH IS THE PROPERTY OF BEHRINGER. IT MAY NOT BE DISCLOSED, REPRODUCED OR USED WITHOUT EXPRESS WRITTEN CONSENT FROM BEHRINGER.



DIP-SWITCH_FUNCTION

- 1 CH1_CLIP_LIMITER_OFF 20 CH1_CLIP_LIMITER_ON
- 2 CH1_LOW_FILTER_50HZ 19 CH1_LOW_FILTER_30HZ
- 3 CH1_LOW_FILTER_ON 18 CH1_LOW_FILTER_OFF
- 4 STEREO_MODE 17 PARALLEL_INPUTS
- 5 STEREO_MODE 16 PARALLEL_INPUTS
- 6 BRIDGE_MODE_OFF 15 BRIDGE_MODE_ON
- 7 BRIDGE_MODE_OFF 14 BRIDGE_MODE_ON
- 8 CH2_LOW_FILTER_ON 13 CH2_LOW_FILTER_OFF
- 9 CH2_LOW_FILTER_50HZ 12 CH2_LOW_FILTER_30HZ
- 10 CH2_CLIP_LIMITER_OFF 11 CH2_CLIP_LIMITER_ON

PROJECT
P0183
EUROPOWER
PSU/INPUT STAGE
SHEET 3 OF 3 SHEETS TOTAL

BEHRINGER

REVISIONS	H
DRAWN	DF / SA
CHECKED	
DATE	27.10. 9
	10:05

THIS DOCUMENT CONTAINS PROPRIETARY INFORMATION WHICH IS THE PROPERTY OF BEHRINGER. IT MAY NOT BE DISCLOSED, REPRODUCED OR USED WITHOUT EXPRESS WRITTEN CONSENT FROM BEHRINGER.