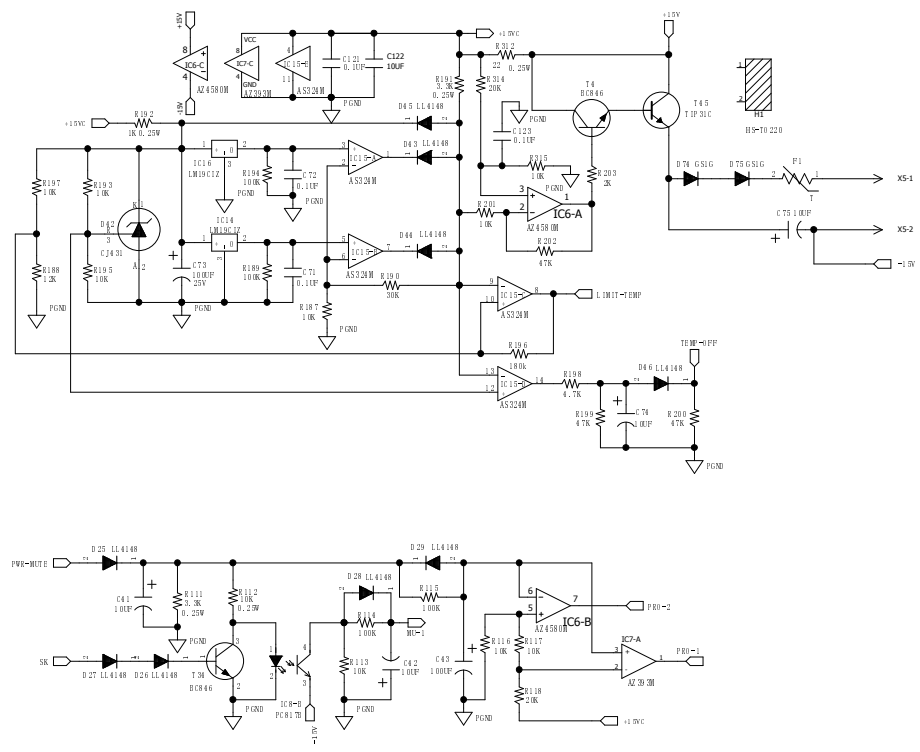
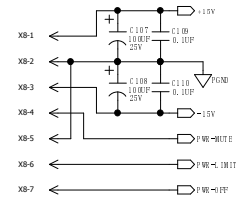
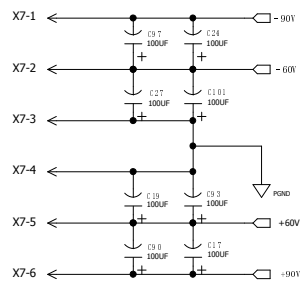


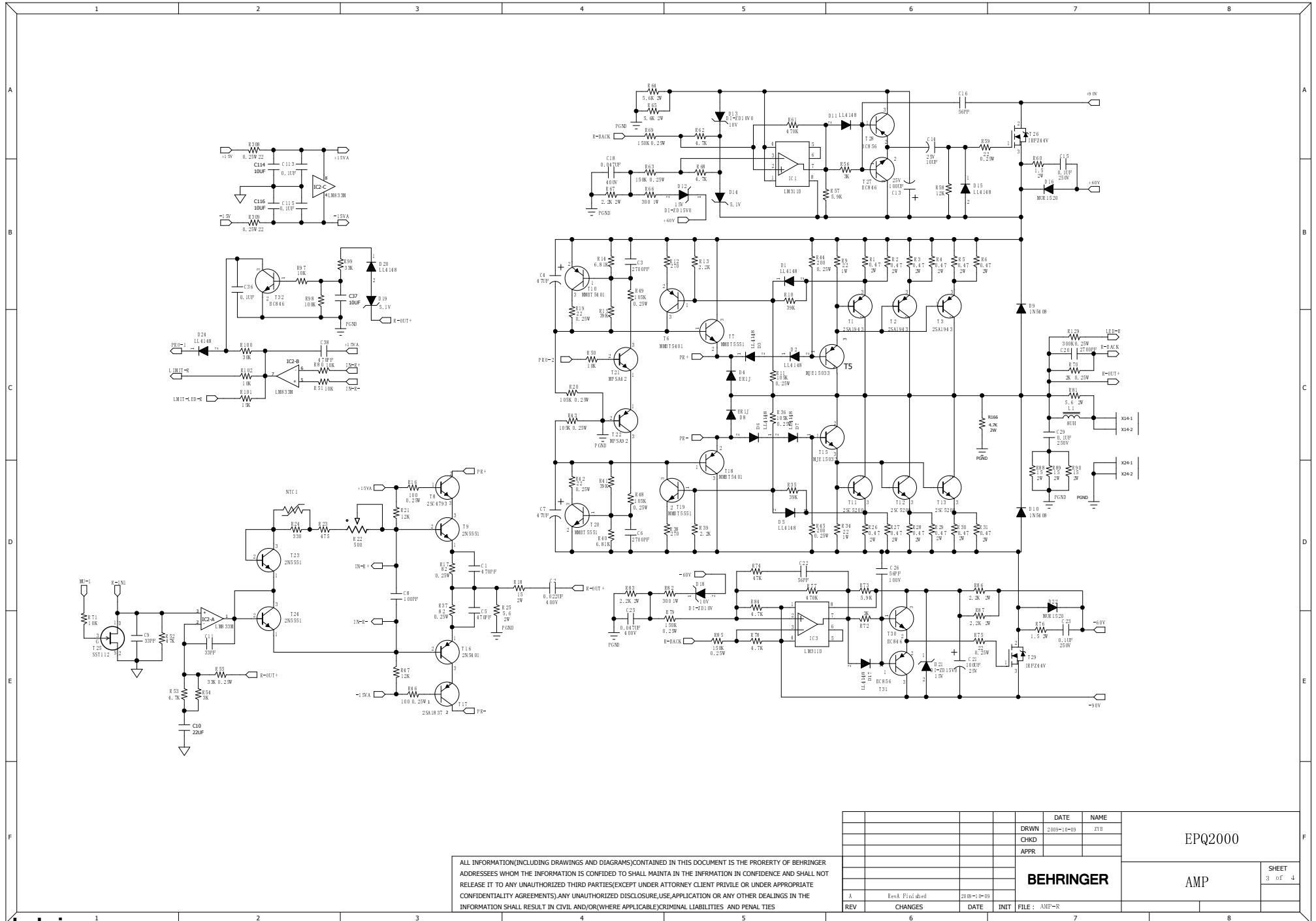
ALL INFORMATION (INCLUDING DRAWINGS AND DIAGRAMS) CONTAINED IN THIS DOCUMENT IS THE PROPERTY OF BEHRINGER ADDRESSEES WHOM THE INFORMATION IS CONFIDED TO SHALL MAINTAIN THE INFORMATION IN CONFIDENCE AND SHALL NOT RELEASE IT TO ANY UNAUTHORIZED THIRD PARTIES (EXCEPT UNDER ATTORNEY CLIENT PRIVILEGE OR UNDER APPROPRIATE CONFIDENTIALITY AGREEMENTS). ANY UNAUTHORIZED DISCLOSURE, USE, APPLICATION OR ANY OTHER DEALINGS IN THE INFORMATION SHALL RESULT IN CIVIL AND/OR (WHERE APPLICABLE) CRIMINAL LIABILITIES AND PENAL TIES

DATE	NAME	EPQ2000	SHEET 1 of 4	
DRWN	2009-10-09			ZTB
CHKD				
APPR		BEHRINGER	AMP	
REV	CHANGES			DATE
A	Rev A Finished	2009-10-09		
FILE	PRE			



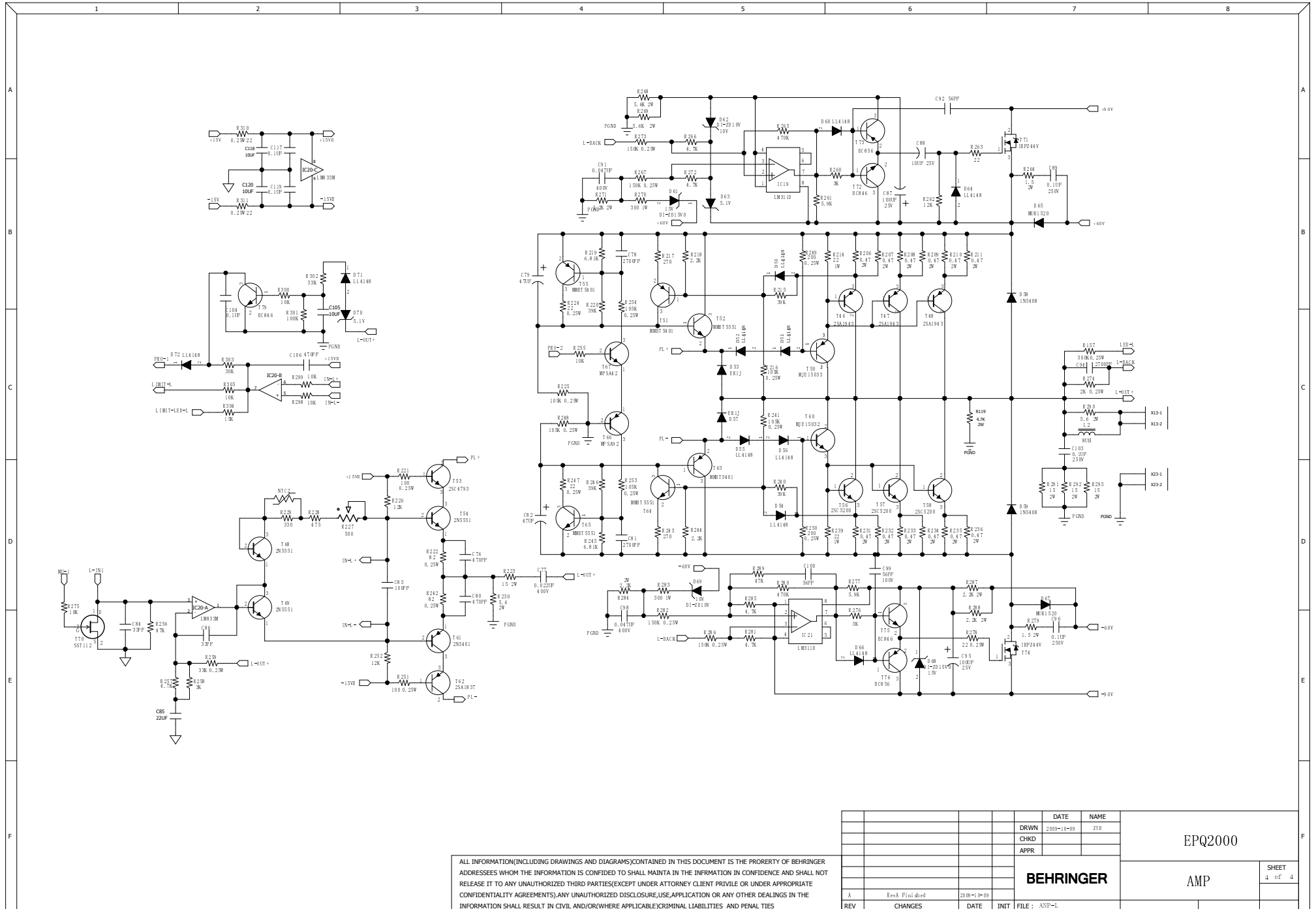
DRWN	2009-10-09	ZIB	EPQ2000	SHEET 2 of 4
CHKD				
APPR				
BEHRINGER			AMP	
REV	CHANGES	DATE	INIT	FILE: PRO

ALL INFORMATION (INCLUDING DRAWINGS AND DIAGRAMS) CONTAINED IN THIS DOCUMENT IS THE PROPERTY OF BEHRINGER ADDRESSES WHOM THE INFORMATION IS CONFIDED TO SHALL MAINTAIN THE INFORMATION IN CONFIDENCE AND SHALL NOT RELEASE IT TO ANY UNAUTHORIZED THIRD PARTIES (EXCEPT UNDER ATTORNEY CLIENT PRIVILEGE OR UNDER APPROPRIATE CONFIDENTIALITY AGREEMENTS). ANY UNAUTHORIZED DISCLOSURE, USE, APPLICATION OR ANY OTHER DEALINGS IN THE INFORMATION SHALL RESULT IN CIVIL AND/OR (WHERE APPLICABLE) CRIMINAL LIABILITIES AND PENAL TIES



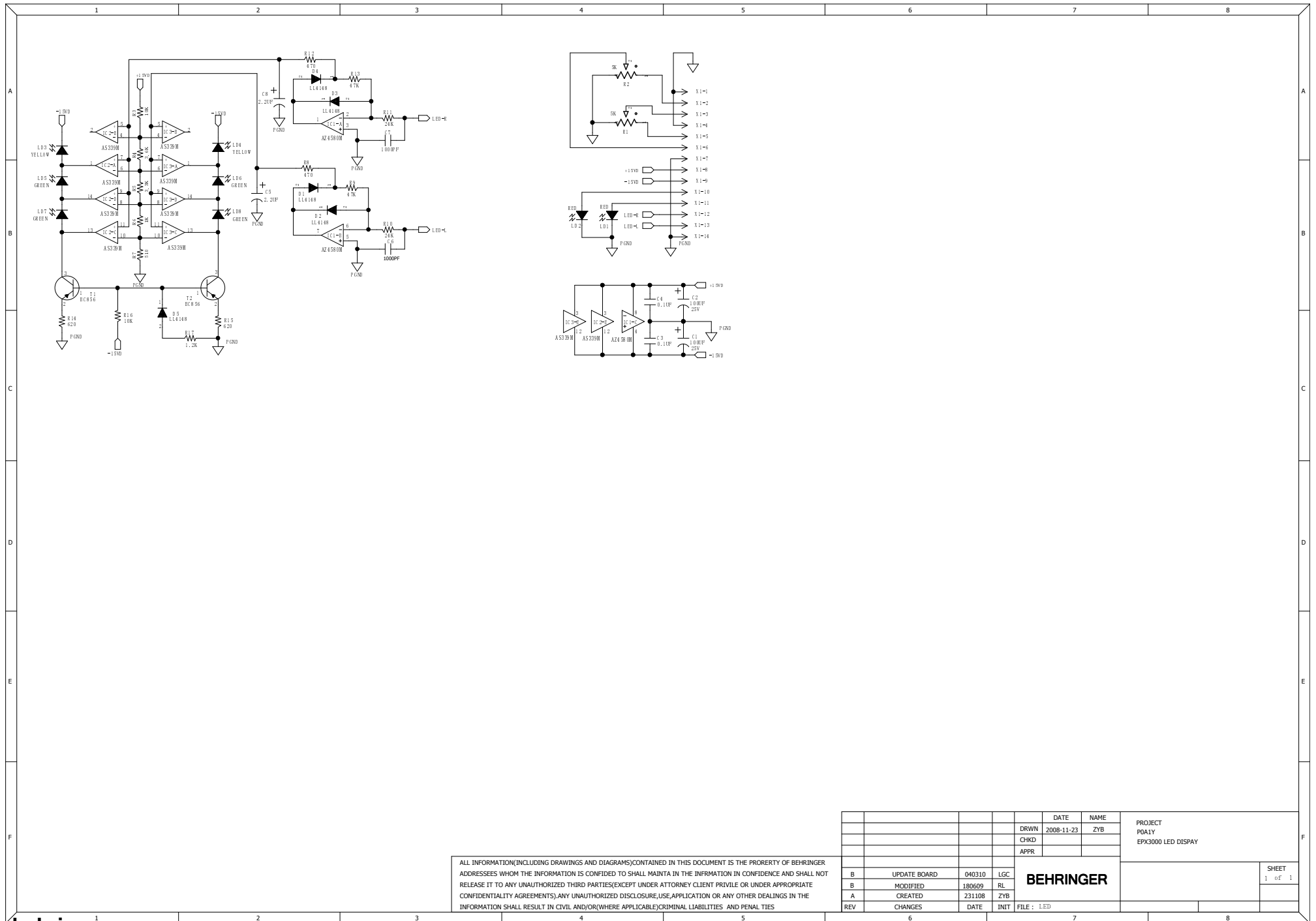
ALL INFORMATION (INCLUDING DRAWINGS AND DIAGRAMS) CONTAINED IN THIS DOCUMENT IS THE PROPERTY OF BEHRINGER ADDRESSES WHOM THE INFORMATION IS CONFIDED TO SHALL MAINTAIN THE INFORMATION IN CONFIDENCE AND SHALL NOT RELEASE IT TO ANY UNAUTHORIZED THIRD PARTIES (EXCEPT UNDER ATTORNEY CLIENT PRIVILEGE OR UNDER APPROPRIATE CONFIDENTIALITY AGREEMENTS). ANY UNAUTHORIZED DISCLOSURE, USE, APPLICATION OR ANY OTHER DEALINGS IN THE INFORMATION SHALL RESULT IN CIVIL AND/OR (WHERE APPLICABLE) CRIMINAL LIABILITIES AND PENAL TIES

DRWN	2009-10-09	NAME	EPQ2000
CHKD			
APPR			
<b>BEHRINGER</b>			AMP
REV	CHANGES	DATE	INIT FILE: AMP-R
A	RevA Finished	2010-01-09	



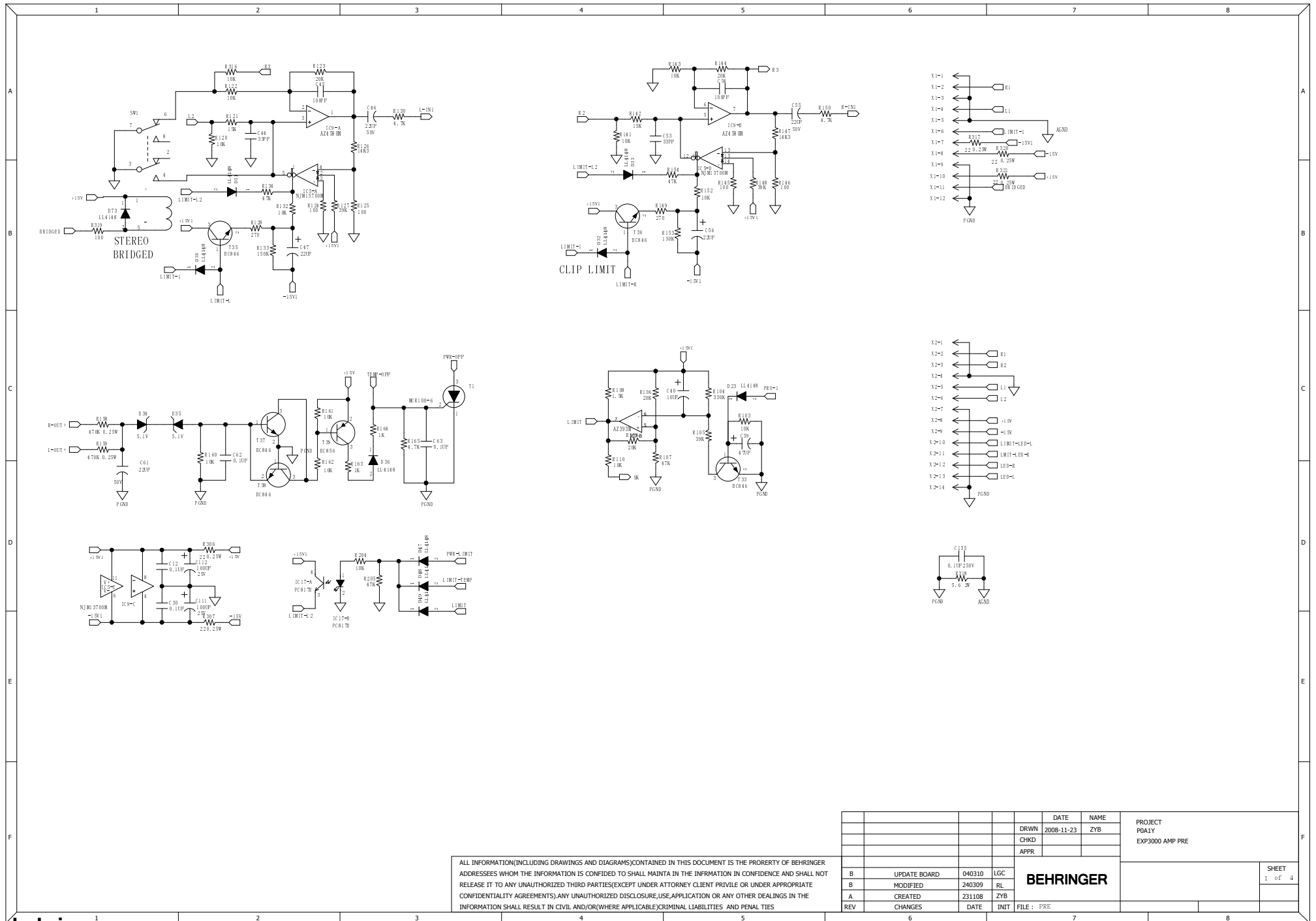
ALL INFORMATION (INCLUDING DRAWINGS AND DIAGRAMS) CONTAINED IN THIS DOCUMENT IS THE PROPERTY OF BEHRINGER ADDRESSES WHOM THE INFORMATION IS CONFIDED TO SHALL MAINTAIN THE INFORMATION IN CONFIDENCE AND SHALL NOT RELEASE IT TO ANY UNAUTHORIZED THIRD PARTIES (EXCEPT UNDER ATTORNEY CLIENT PRIVILEGE OR UNDER APPROPRIATE CONFIDENTIALITY AGREEMENTS). ANY UNAUTHORIZED DISCLOSURE, USE, APPLICATION OR ANY OTHER DEALINGS IN THE INFORMATION SHALL RESULT IN CIVIL AND/OR (WHERE APPLICABLE) CRIMINAL LIABILITIES AND PENAL TIES

DRWN	2009-10-09	ZTB	EPQ2000	AMP	SHEET 4 of 4
CHKD					
APPR					
<b>BEHRINGER</b>					
REV	CHANGES	DATE	INIT	FILE: ANP-L	



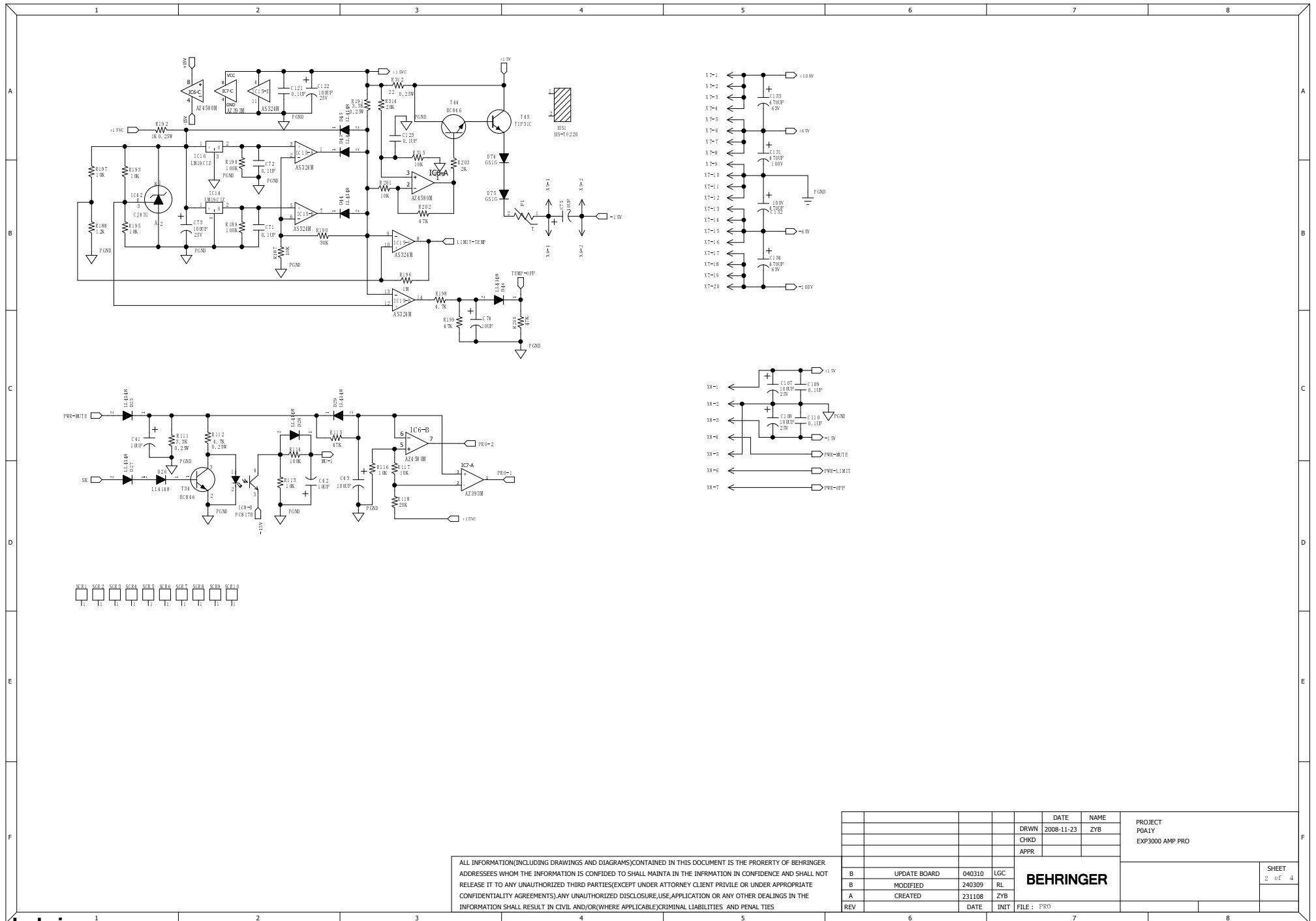
ALL INFORMATION (INCLUDING DRAWINGS AND DIAGRAMS) CONTAINED IN THIS DOCUMENT IS THE PROPERTY OF BEHRINGER ADDRESSEES WHOM THE INFORMATION IS CONFIDED TO SHALL MAINTAIN THE INFORMATION IN CONFIDENCE AND SHALL NOT RELEASE IT TO ANY UNAUTHORIZED THIRD PARTIES (EXCEPT UNDER ATTORNEY CLIENT PRIVILEGE OR UNDER APPROPRIATE CONFIDENTIALITY AGREEMENTS). ANY UNAUTHORIZED DISCLOSURE, USE, APPLICATION OR ANY OTHER DEALINGS IN THE INFORMATION SHALL RESULT IN CIVIL AND/OR (WHERE APPLICABLE) CRIMINAL LIABILITIES AND PENAL TIES

				DATE	NAME	PROJECT	
			DRWN	2008-11-23	ZYB	POA1Y	
			CHKD			EPK3000 LED DISPAY	
			APPR				
B	UPDATE BOARD	040310	LGC	<b>BEHRINGER</b>			SHEET
B	MODIFIED	180609	RL				1 of 1
A	CREATED	231108	ZYB				
REV	CHANGES	DATE	INIT				FILE : LED



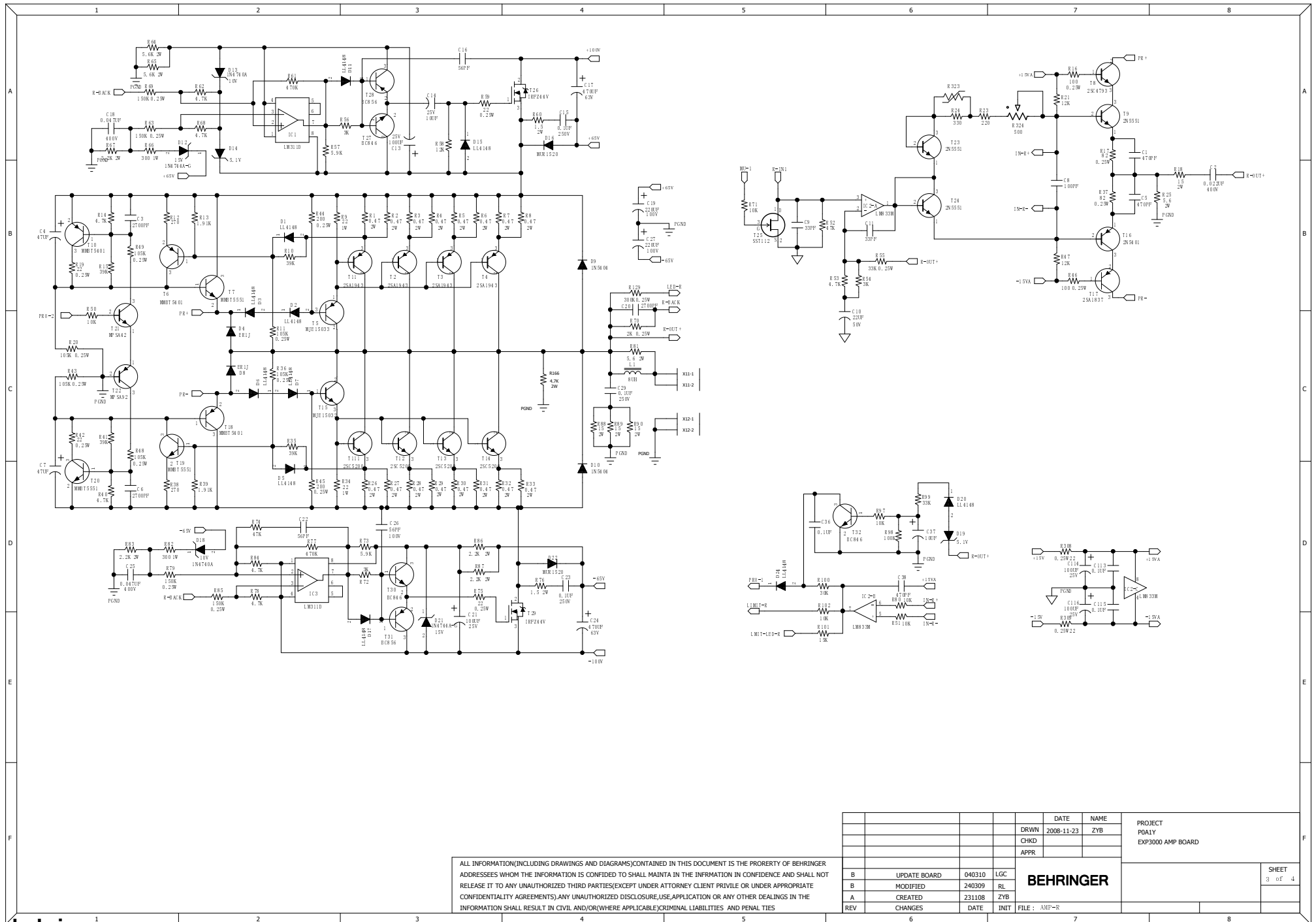
ALL INFORMATION (INCLUDING DRAWINGS AND DIAGRAMS) CONTAINED IN THIS DOCUMENT IS THE PROPERTY OF BEHRINGER ADDRESSES WHOM THE INFORMATION IS CONFIDED TO SHALL MAINTAIN THE INFORMATION IN CONFIDENCE AND SHALL NOT RELEASE IT TO ANY UNAUTHORIZED THIRD PARTIES (EXCEPT UNDER ATTORNEY CLIENT PRIVILEGE OR UNDER APPROPRIATE CONFIDENTIALITY AGREEMENTS). ANY UNAUTHORIZED DISCLOSURE, USE, APPLICATION OR ANY OTHER DEALINGS IN THE INFORMATION SHALL RESULT IN CIVIL AND/OR (WHERE APPLICABLE) CRIMINAL LIABILITIES AND PENAL TIES

DRWN	2008-11-23	NAME	ZYB	PROJECT POLY EXP3000 AMP PRE
CHKD				
APPR				
B	UPDATE BOARD	040310	LGC	SHEET 1 of 4
B	MODIFIED	240309	RL	
A	CREATED	231108	ZYB	
REV	CHANGES	DATE	INIT	
FILE: PRE				



ALL INFORMATION (INCLUDING DRAWINGS AND DIAGRAMS) CONTAINED IN THIS DOCUMENT IS THE PROPERTY OF BEHRINGER ADDRESSEES WHOM THE INFORMATION IS CONFIDED TO SHALL MAINTAIN THE INFORMATION IN CONFIDENCE AND SHALL NOT RELEASE IT TO ANY UNAUTHORIZED THIRD PARTIES, EXCEPT UNDER ATTORNEY CLIENT PRIVILEGE OR UNDER APPROPRIATE CONFIDENTIALITY AGREEMENTS. ANY UNAUTHORIZED DISCLOSURE, USE, APPLICATION OR ANY OTHER DEALINGS IN THE INFORMATION SHALL RESULT IN CIVIL AND/OR (WHERE APPLICABLE) CRIMINAL LIABILITIES AND PENAL TIES

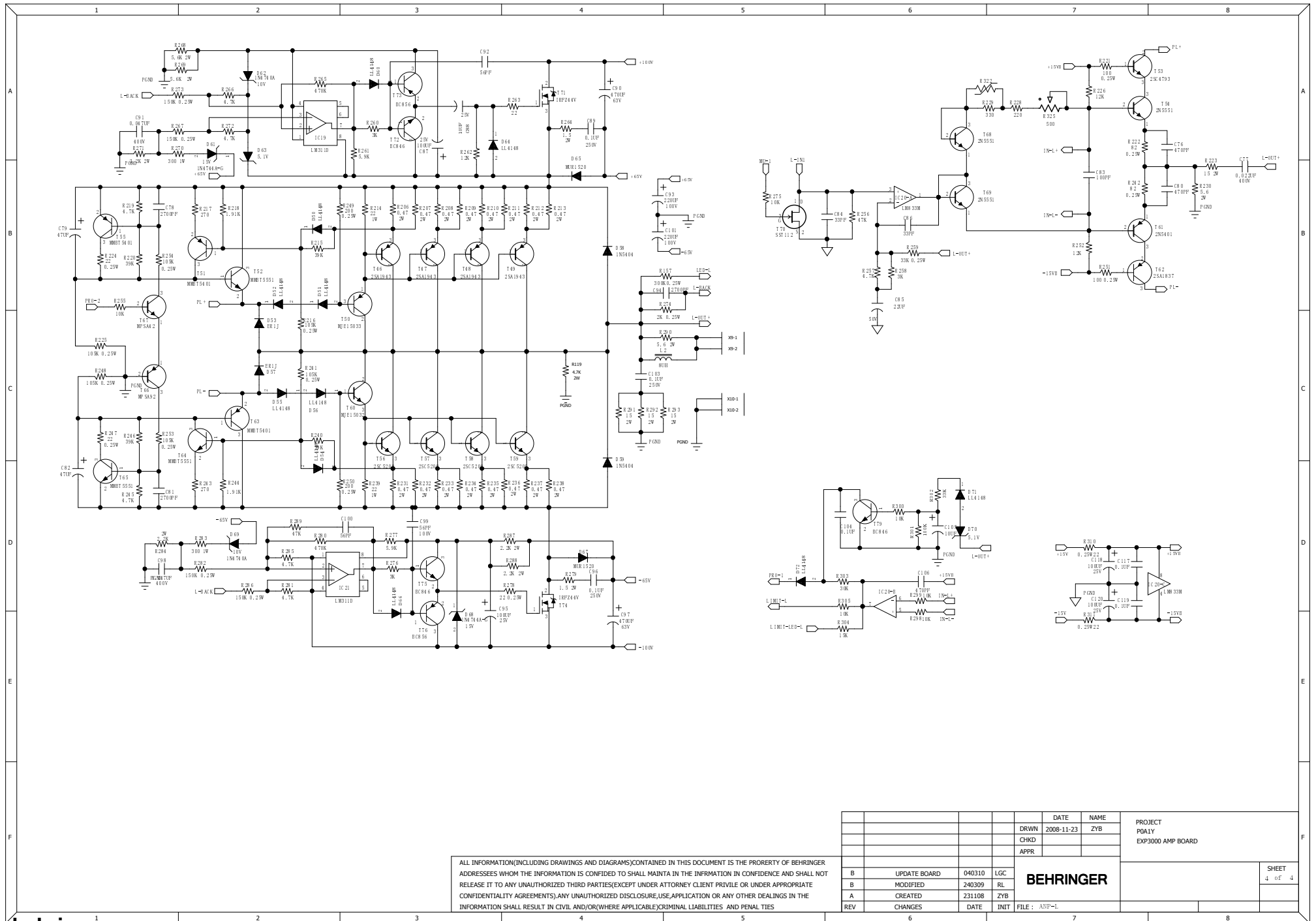
DRWN	2008-11-23	NAME	ZYB	PROJECT	POALY
CHKD				EXP3000 AMP PRO	
APPR					
B	UPDATE BOARD	040310	LGCC	<b>BEHRINGER</b>	SHEET
B	MODIFIED	240309	RL		2 of 4
A	CREATED	231108	ZYB		
REV	DATE	INIT	FILE: PRO		



ALL INFORMATION (INCLUDING DRAWINGS AND DIAGRAMS) CONTAINED IN THIS DOCUMENT IS THE PROPERTY OF BEHRINGER ADDRESSEES WHOM THE INFORMATION IS CONFIDED TO SHALL MAINTAIN IN CONFIDENCE AND SHALL NOT RELEASE IT TO ANY UNAUTHORIZED THIRD PARTIES (EXCEPT UNDER ATTORNEY CLIENT PRIVILEGE OR UNDER APPROPRIATE CONFIDENTIALITY AGREEMENTS). ANY UNAUTHORIZED DISCLOSURE, USE, APPLICATION OR ANY OTHER DEALINGS IN THE INFORMATION SHALL RESULT IN CIVIL AND/OR (WHERE APPLICABLE) CRIMINAL LIABILITIES AND PENAL TIES

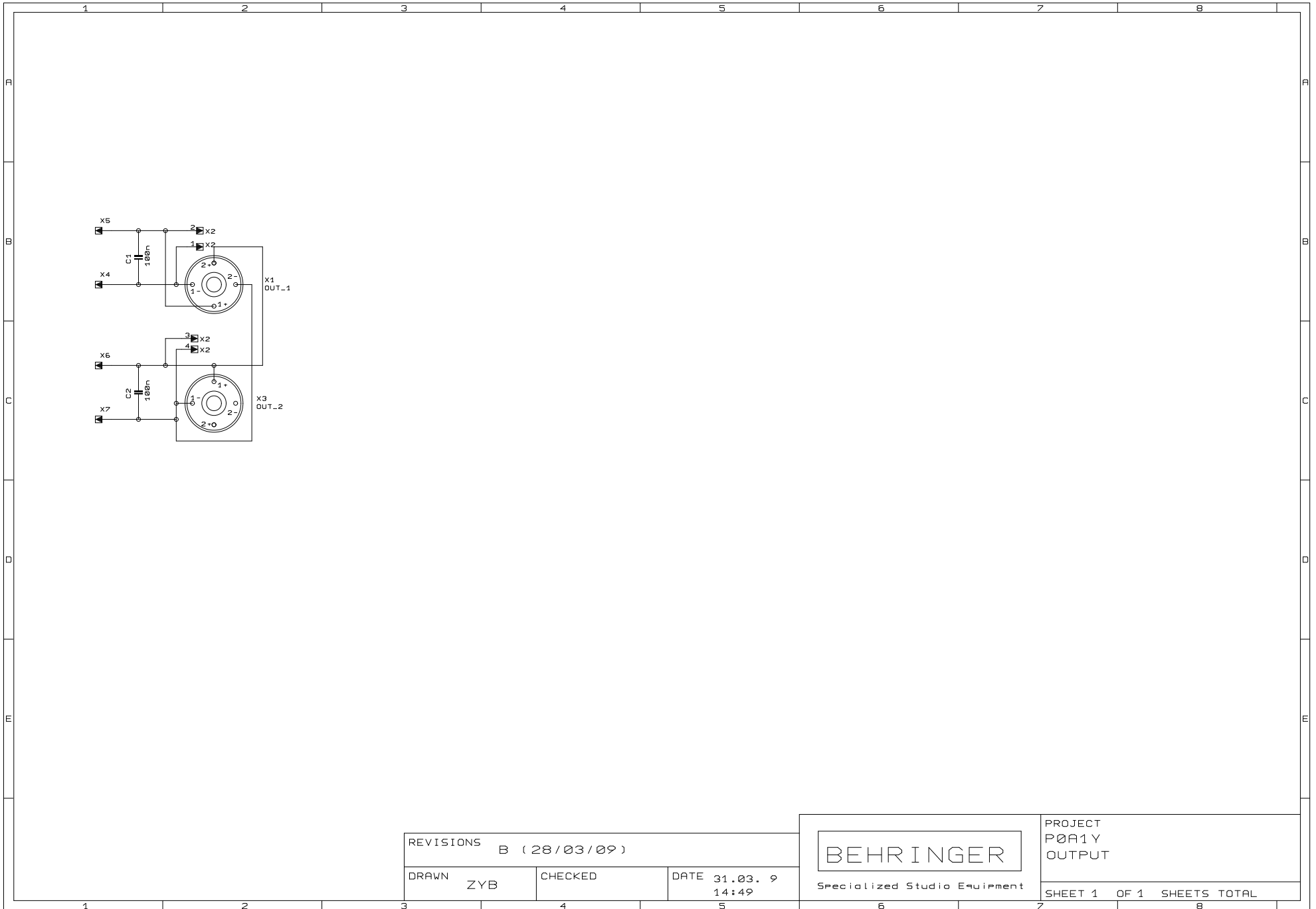
				DATE	NAME	PROJECT	
				2008-11-23	ZYB	POALY	
						EXP3000 AMP BOARD	
B	UPDATE BOARD	040310	LGC	<b>BEHRINGER</b>			SHEET
B	MODIFIED	240309	RL				3 of 4
A	CREATED	231108	ZYB				
REV	CHANGES	DATE	INIT	FILE: AMP-R			





ALL INFORMATION (INCLUDING DRAWINGS AND DIAGRAMS) CONTAINED IN THIS DOCUMENT IS THE PROPERTY OF BEHRINGER ADDRESSES WHOM THE INFORMATION IS CONFIDED TO SHALL MAINTAIN THE INFORMATION IN CONFIDENCE AND SHALL NOT RELEASE IT TO ANY UNAUTHORIZED THIRD PARTIES (EXCEPT UNDER ATTORNEY CLIENT PRIVILEGE OR UNDER APPROPRIATE CONFIDENTIALITY AGREEMENTS). ANY UNAUTHORIZED DISCLOSURE, USE, APPLICATION OR ANY OTHER DEALINGS IN THE INFORMATION SHALL RESULT IN CIVIL AND/OR (WHERE APPLICABLE) CRIMINAL LIABILITIES AND PENAL TIES

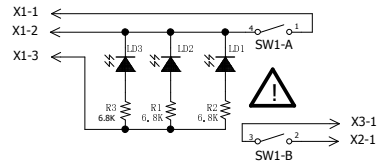
DRWN	2008-11-23	ZYB	DATE	NAME	PROJECT	SHEET 4 of 4
CHKD					POALY	
APPR					EXP3000 AMP BOARD	
B	UPDATE BOARD	040310	LGC	<b>BEHRINGER</b>		
B	MODIFIED	240309	RL			
A	CREATED	231108	ZYB			
REV	CHANGES	DATE	INIT		FILE: ANP-L	



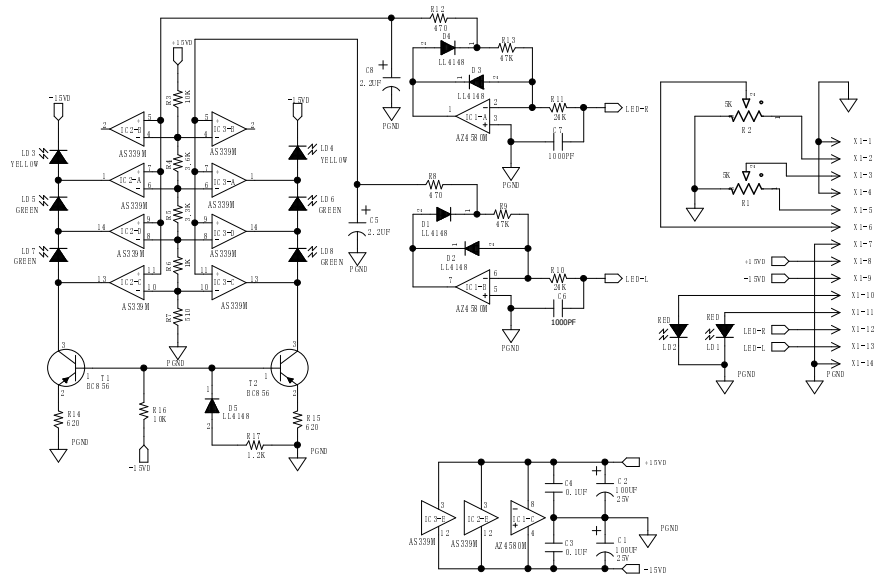
REVISIONS B (28/03/09)		
DRAWN ZYB	CHECKED	DATE 31.03. 9 14:49

**BEHRINGER**  
Specialized Studio Equipment

PROJECT P0A1Y OUTPUT
SHEET 1 OF 1 SHEETS TOTAL

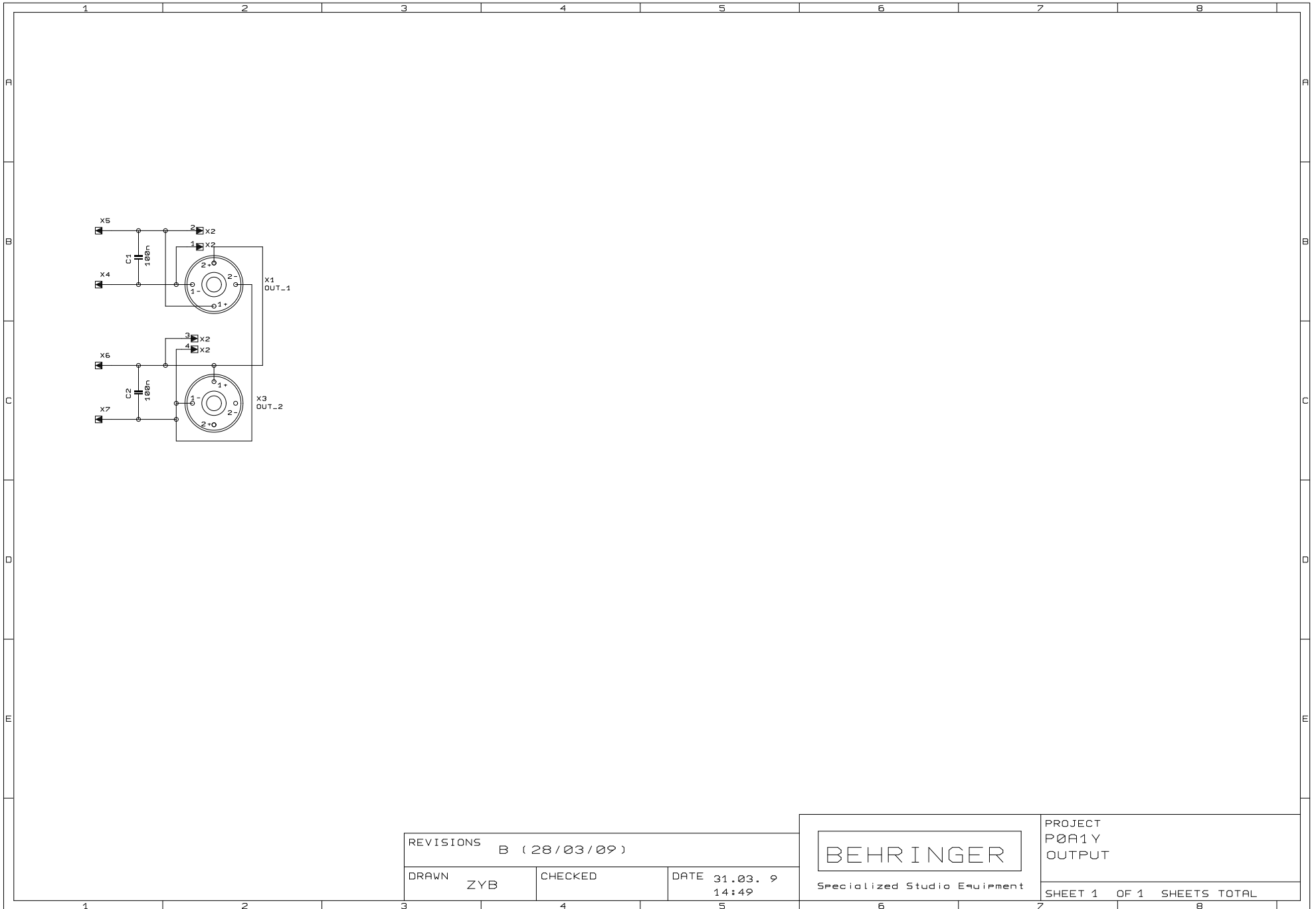


APPROVALS		DATA		SUPER WORD TECHNOLOGIES INC				
DRAWN:		2009-03-27						
CHECKED				EPX3000 SWITCH BOARD REVB				
NP ENG:				SIZE D		SCALE:	DWG. NO.	REV: B
ISSUED:				DWG FILE:		SHEET	1 OF 1	



ALL INFORMATION (INCLUDING DRAWINGS AND DIAGRAMS) CONTAINED IN THIS DOCUMENT IS THE PROPERTY OF BEHRINGER ADDRESSEES WHOM THE INFORMATION IS CONFIDED TO SHALL MAINTAIN THE INFORMATION IN CONFIDENCE AND SHALL NOT RELEASE IT TO ANY UNAUTHORIZED THIRD PARTIES (EXCEPT UNDER ATTORNEY CLIENT PRIVILEGE OR UNDER APPROPRIATE CONFIDENTIALITY AGREEMENTS). ANY UNAUTHORIZED DISCLOSURE, USE, APPLICATION OR ANY OTHER DEALINGS IN THE INFORMATION SHALL RESULT IN CIVIL AND/OR (WHERE APPLICABLE) CRIMINAL LIABILITIES AND PENAL TIES

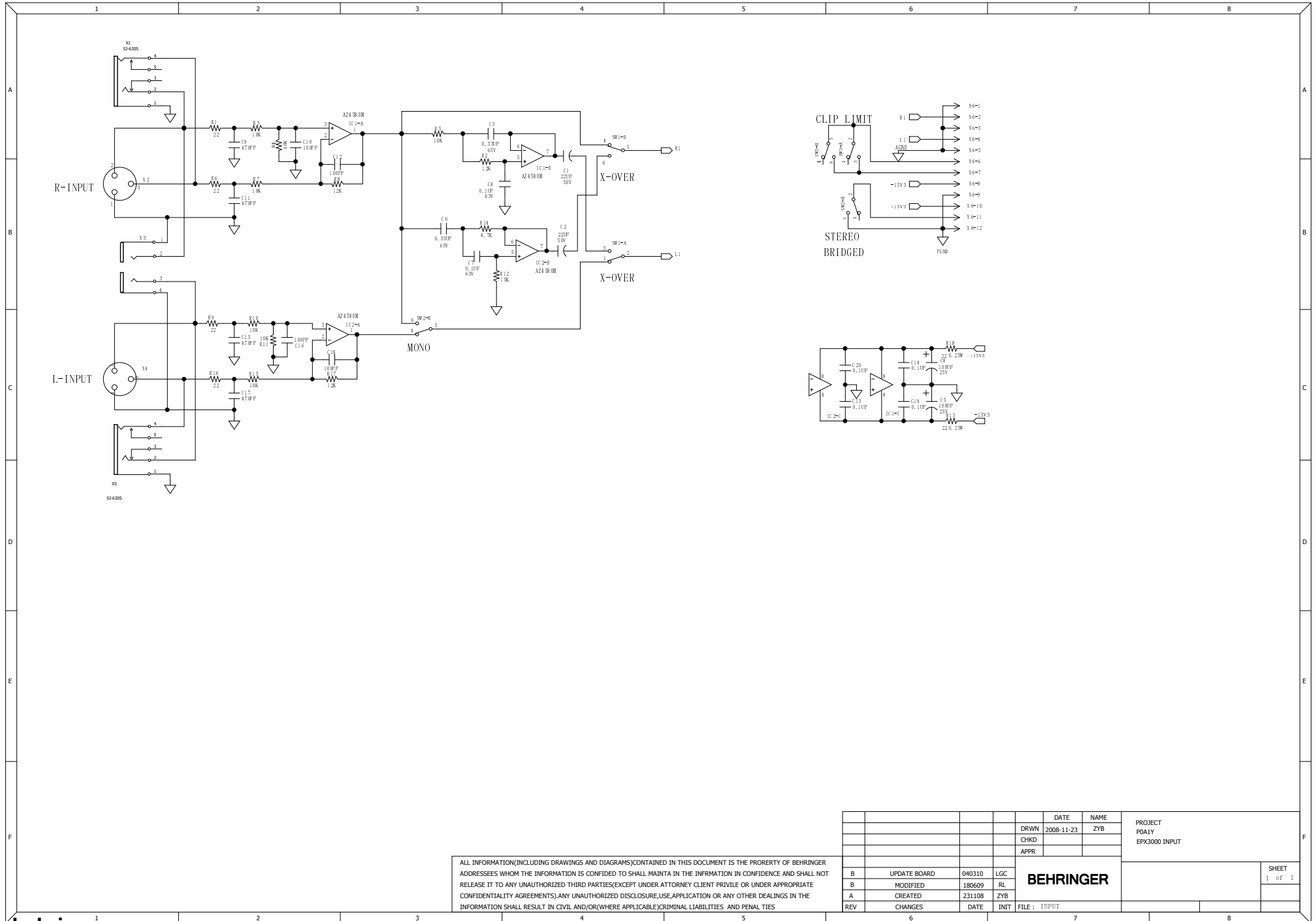
				DATE	NAME	EPQ2000	SHEET 1 of 1
			DRWN	2009-10-09	ZYD		
			CHKD				
			APPR			BEHRINGER	DISPLAY
A	Rev A Finished	2009-10-09					
REV	CHANGES	DATE	INIT	FILE	LED		



REVISIONS B (28/03/09)		
DRAWN ZYB	CHECKED	DATE 31.03. 9 14:49

**BEHRINGER**  
Specialized Studio Equipment

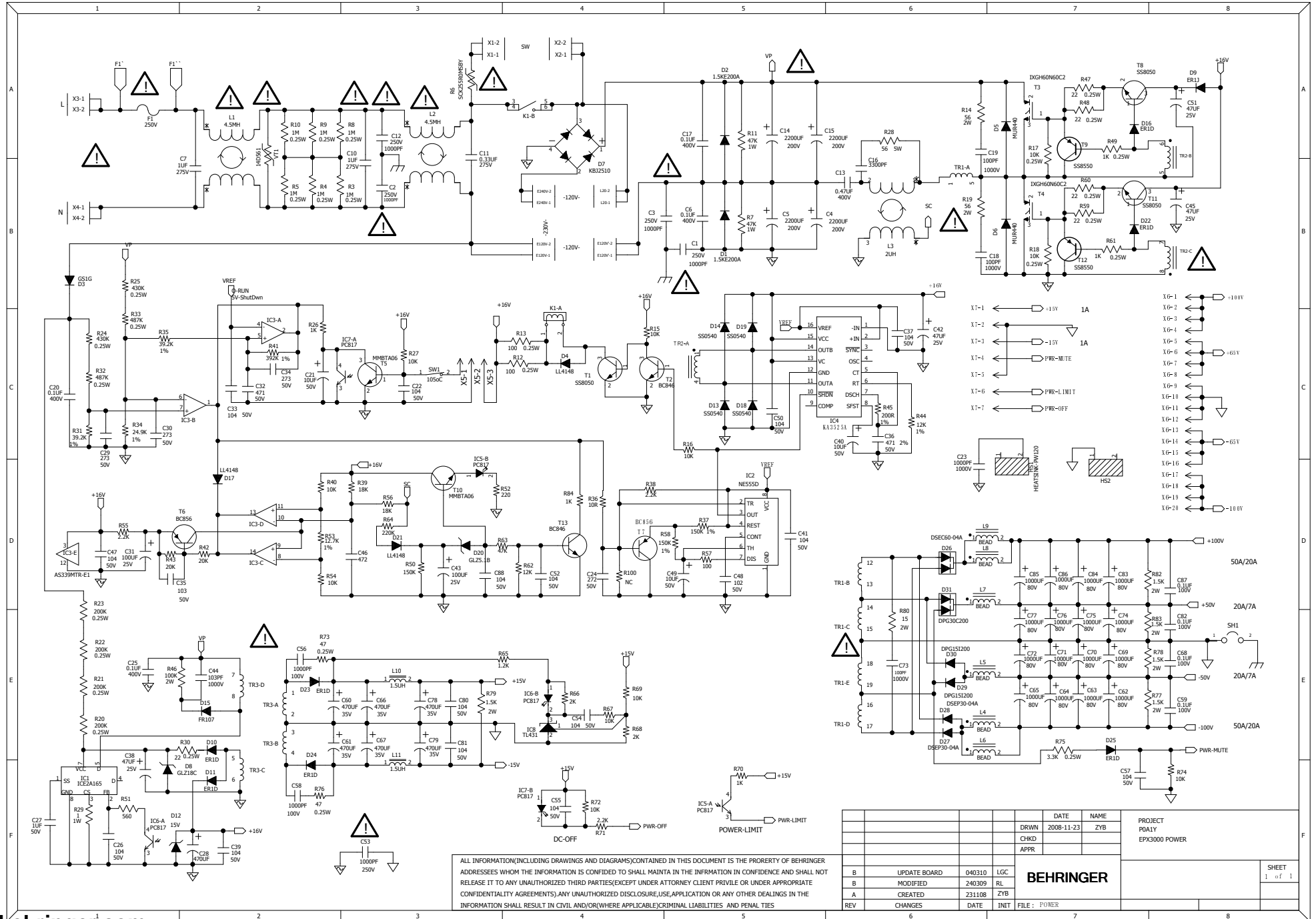
PROJECT P0A1Y OUTPUT		
SHEET 1	OF 1	SHEETS TOTAL



ALL INFORMATION (INCLUDING DRAWINGS AND DIAGRAMS) CONTAINED IN THIS DOCUMENT IS THE PROPERTY OF BEHRINGER ADDRESSEES WHOM THE INFORMATION IS CONFIDED TO SHALL MAINTAIN THE INFORMATION IN CONFIDENCE AND SHALL NOT RELEASE IT TO ANY UNAUTHORIZED THIRD PARTIES (EXCEPT UNDER ATTORNEY CLIENT PRIVILEGE OR UNDER APPROPRIATE CONFIDENTIALITY AGREEMENTS). ANY UNAUTHORIZED DISCLOSURE, USE, APPLICATION OR ANY OTHER DEALINGS IN THE INFORMATION SHALL RESULT IN CIVIL AND/OR (WHERE APPLICABLE) CRIMINAL LIABILITIES AND PENAL TIES

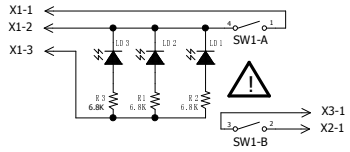
DRWN	2008-11-23	NAME	ZYB	PROJECT POLY EPX3000 INPUT	SHEET 1 of 1
CHKD					
APPR					
B	UPDATE BOARD	040310	LGC	<b>BEHRINGER</b>	
B	MODIFIED	180609	RL		
A	CREATED	231108	ZYB		
REV	CHANGES	DATE	INIT		FILE: INPUT

EPX3000 POWER.sch-1 - Fri Mar 05 14:19:43 2010



ALL INFORMATION (INCLUDING DRAWINGS AND DIAGRAMS) CONTAINED IN THIS DOCUMENT IS THE PROPERTY OF BEHRINGER ADDRESSES WHOM THE INFORMATION IS CONFIDED TO SHALL MAINTAIN THE INFORMATION IN CONFIDENCE AND SHALL NOT RELEASE IT TO ANY UNAUTHORIZED THIRD PARTIES (EXCEPT UNDER ATTORNEY CLIENT PRIVILEGE OR UNDER APPROPRIATE CONFIDENTIALITY AGREEMENTS). ANY UNAUTHORIZED DISCLOSURE, USE, APPLICATION OR ANY OTHER DEALINGS IN THE INFORMATION SHALL RESULT IN CIVIL AND/OR (WHERE APPLICABLE) CRIMINAL LIABILITIES AND PENAL TIES

DRWN	2008-11-23	NAME	ZYB	PROJECT	POA1Y EPX3000 POWER
CHKD					
APPR					
B	UPDATE BOARD	040310	LCG	<b>BEHRINGER</b>	
B	MODIFIED	240309	RL		
A	CREATED	231108	ZYB		
REV	CHANGES	DATE	INIT	FILE: POWER	SHEET 1 of 1

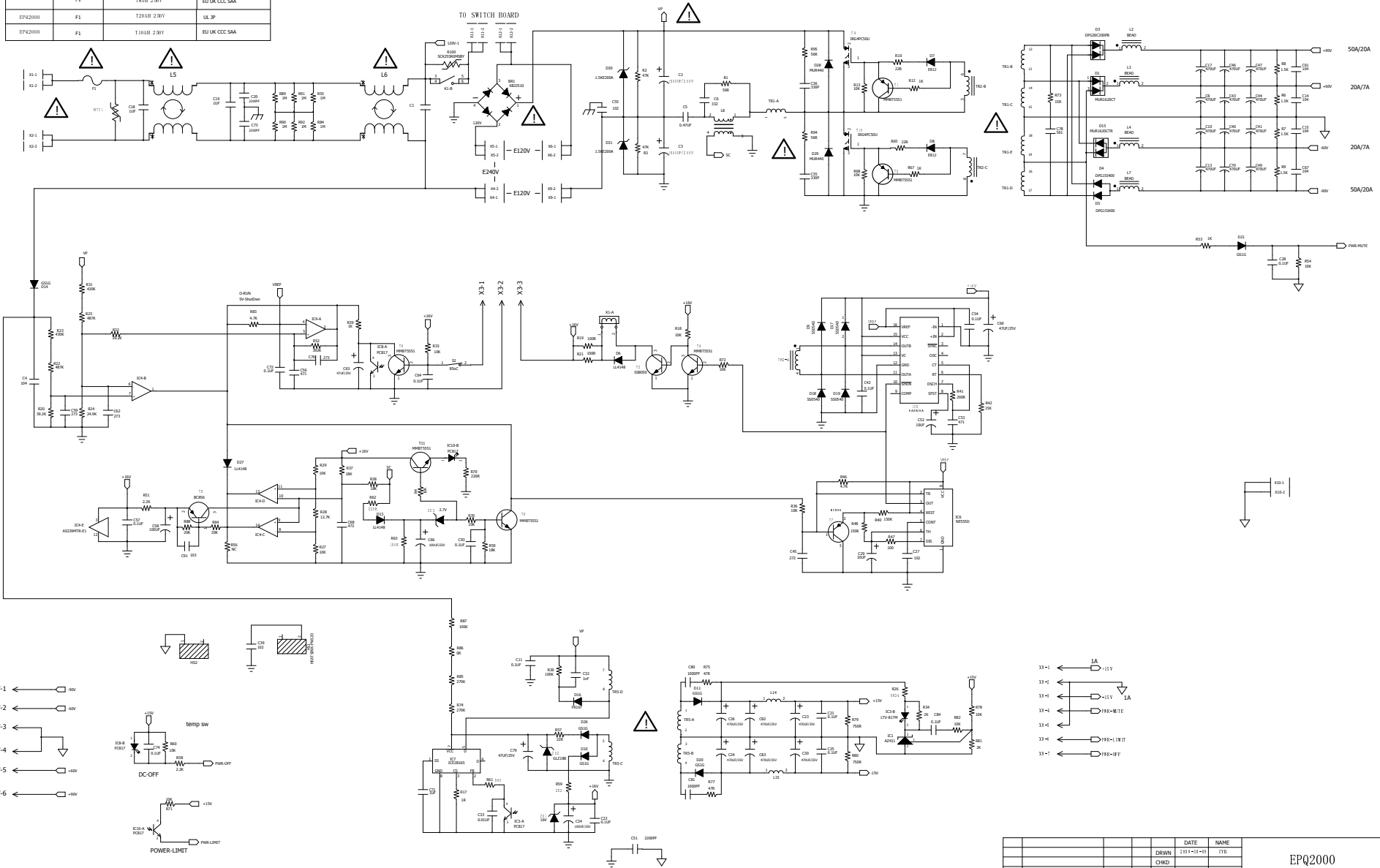


ALL INFORMATION (INCLUDING DRAWINGS AND DIAGRAMS) CONTAINED IN THIS DOCUMENT IS THE PROPERTY OF BEHRINGER ADDRESSEES WHOM THE INFORMATION IS CONFIDED TO SHALL MAINTAIN THE INFORMATION IN CONFIDENCE AND SHALL NOT RELEASE IT TO ANY UNAUTHORIZED THIRD PARTIES (EXCEPT UNDER ATTORNEY CLIENT PRIVILEGE OR UNDER APPROPRIATE CONFIDENTIALITY AGREEMENTS). ANY UNAUTHORIZED DISCLOSURE, USE, APPLICATION OR ANY OTHER DEALINGS IN THE INFORMATION SHALL RESULT IN CIVIL AND/OR (WHERE APPLICABLE) CRIMINAL LIABILITIES AND PENAL TIES

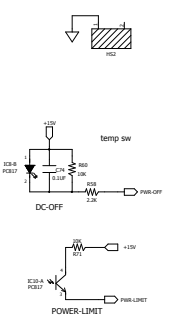
				DATE	NAME	PROJECT
			DRWN	2008-11-23	ZYB	POA1Y
			CHKD			EPX3000 SWITCH
			APPR			
B	UPDATE BOARD	040310	LGC	<b>BEHRINGER</b>		SHEET 1 of 1
B	MODIFIED	270309	RL			
A	CREATED	231108	ZYB			
REV	CHANGES	DATE	INIT	FILE : LED		



Module	Location	Fuse Ratings	Applicable
EPN1200	F1	T110AH 2.0V	UL JP
EPN1200	F1	T10AH 2.0V	EU UK CCC SAA
EPQ2000	F1	T20AH 2.0V	UL JP
EPQ2000	F2	T10AH 2.0V	EU UK CCC SAA



- X7-1 ← 0V
- X7-2 ← 0V
- X7-3 ← 0V
- X7-4 ← 0V
- X7-5 ← 0V
- X7-6 ← 0V



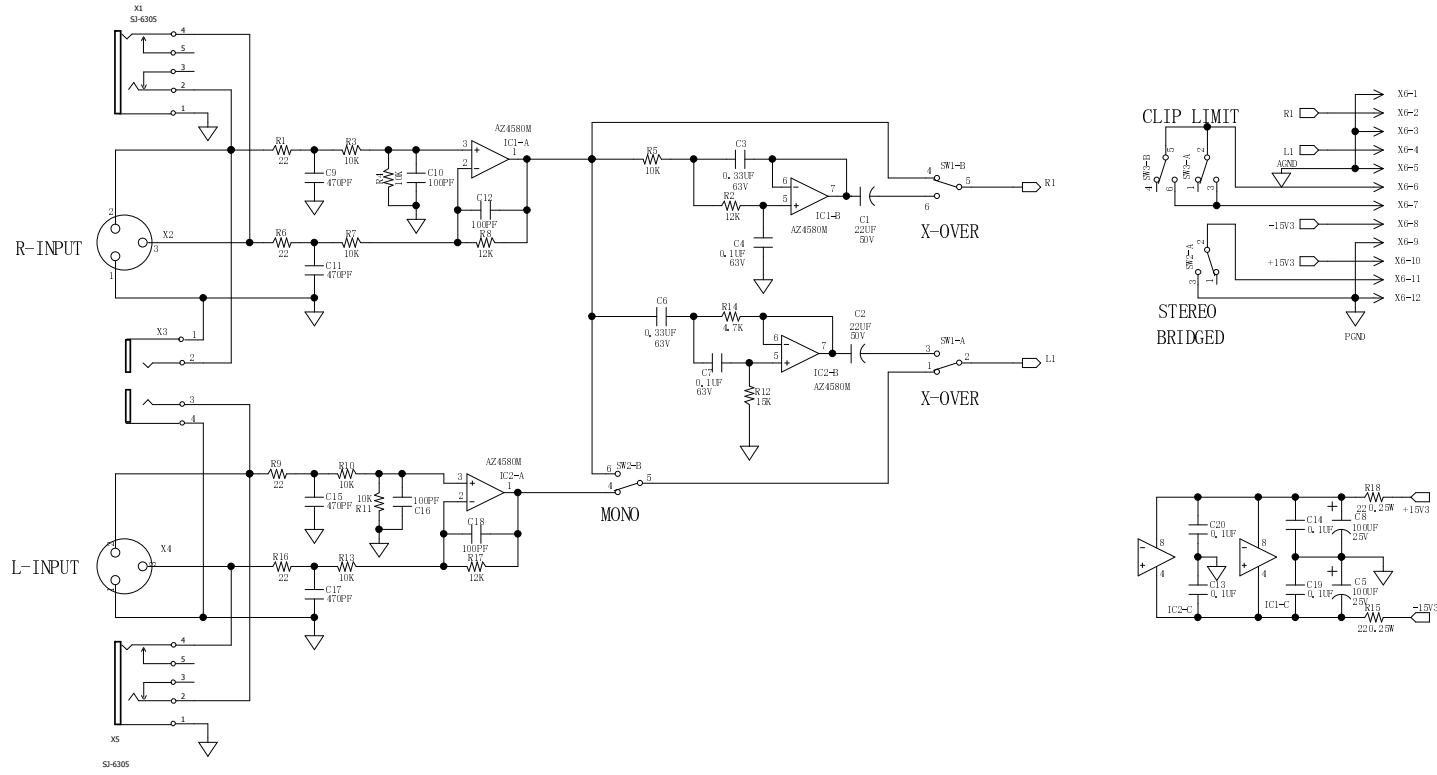
- X1-1 ← 1A -15V
- X1-2 ← 1A -15V
- X1-3 ← 1A -15V
- X1-4 ← 1A FRM-ME
- X1-5 ← 1A FRM-INT
- X1-6 ← 1A FRM-IF

ALL INFORMATION (INCLUDING DRAWINGS AND DIAGRAMS) CONTAINED IN THIS DOCUMENT IS THE PROPERTY OF BEHRINGER ADDRESSES WHOM THE INFORMATION IS CONFIDED TO SHALL MAINTAIN THE INFORMATION IN CONFIDENCE AND SHALL NOT RELEASE IT TO ANY UNAUTHORIZED THIRD PARTIES EXCEPT UNDER ATTORNEY CLIENT PRIVILEGE OR UNDER APPROPRIATE CONFIDENTIALITY AGREEMENTS. ANY UNAUTHORIZED DISCLOSURE, REUSE, APPLICATION OR ANY OTHER DEALINGS IN THE INFORMATION SHALL RESULT IN CIVIL AND/OR WHERE APPLICABLE CRIMINAL LIABILITIES AND PENAL TIES.

REV	DATE	NAME	APPR
1	2113-11-11	CHRIS	

EPQ2000	POWER	SHEET 3 of 3
---------	-------	--------------



APPROVALS	DATA	SUPER WORD TECHNOLOGIES INC			
DRAWN:	2009-03-25				
CHECKED		<b>EPX3000 INPUT BOARD REV B</b>			
NP ENG:					
MFG ENG		SIZE <b>D</b>	SCALE:	DWG. NO.	REV: <b>B</b>
ISSUED:		DWG FILE:		SHEET	1 OF 1