

REVISIONS

DRAWN

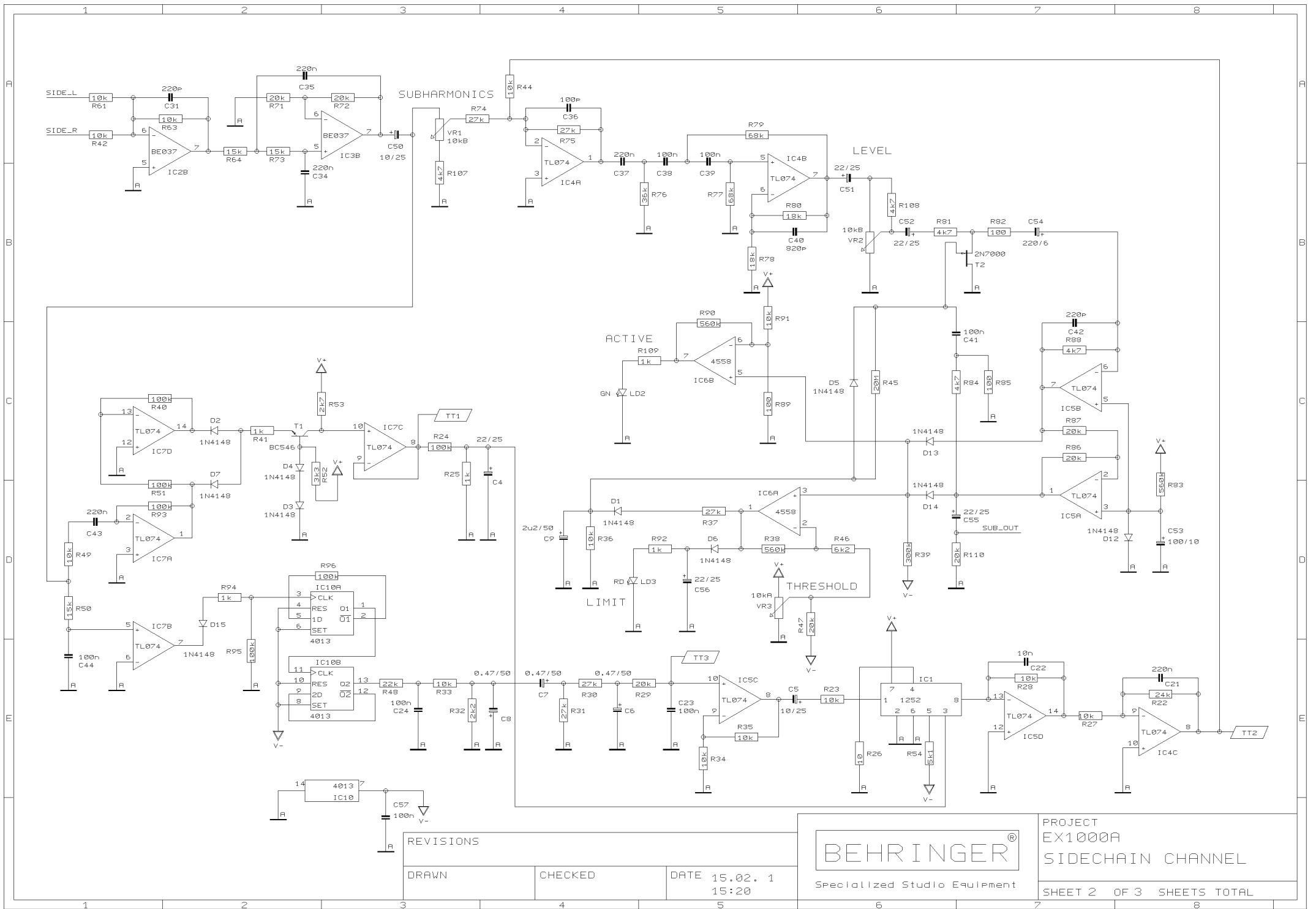
CHECKED

DATE 15.02. 1
15:20



PROJECT
EX1000A
MAIN PATH

SHEET 1 OF 3 SHEETS TOTAL



REVISIONS

DRAWN

CHECKED

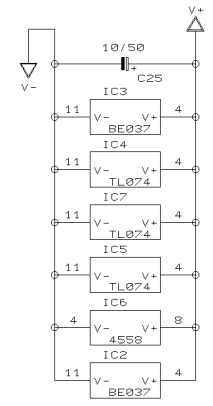
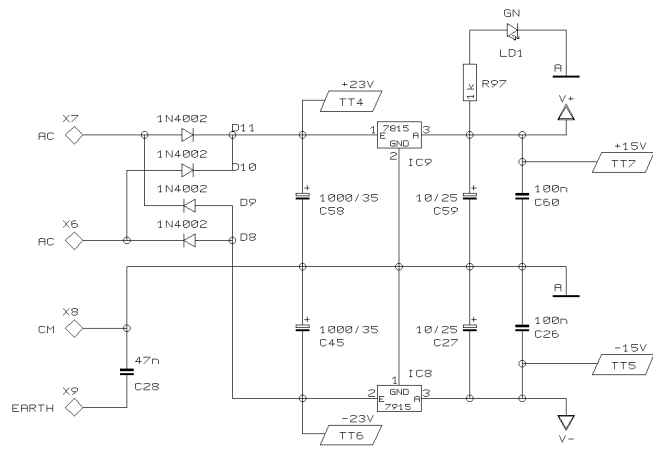
DATE 15.02. 1
15:20



Specialized Studio Equipment

PROJECT
EX1000A
SIDECHAIN CHANNEL

SHEET 2 OF 3 SHEETS TOTAL



REVISIONS

DRAWN	CHECKED	DATE 15.02. 15:20
-------	---------	-------------------



PROJECT EX1000A POWER SUPPLY
SHEET 3 OF 3 SHEETS TOTAL