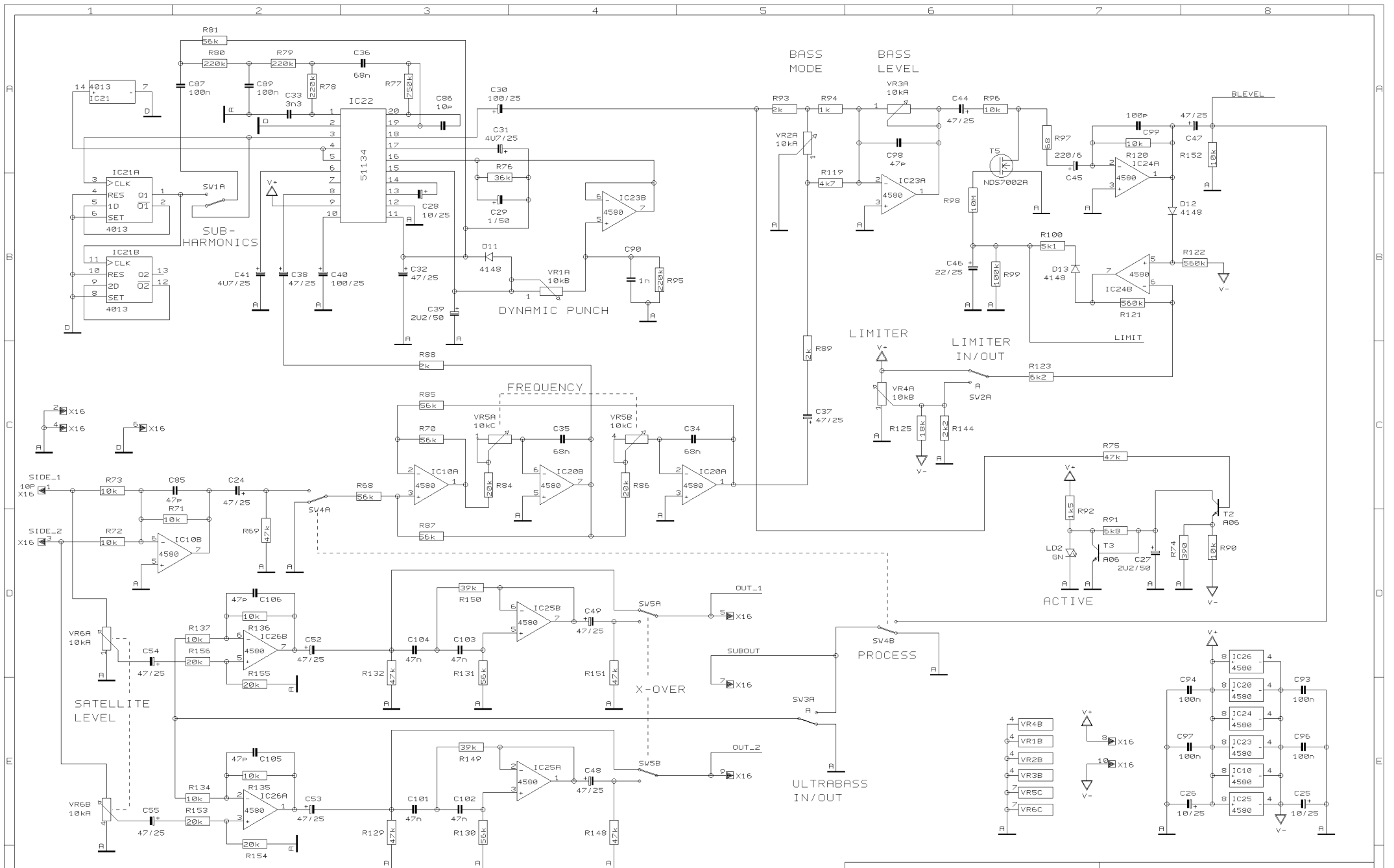


REVISIONS		F
DRAWN	CHECKED	DATE 15.02. 15:22



PROJECT EX1200
 INPUT/OUTPUT SECTION
 CHANNEL 1&2
 SHEET 1 OF 3 SHEETS TOTAL



REVISIONS

F

DRAWN

CHECKED

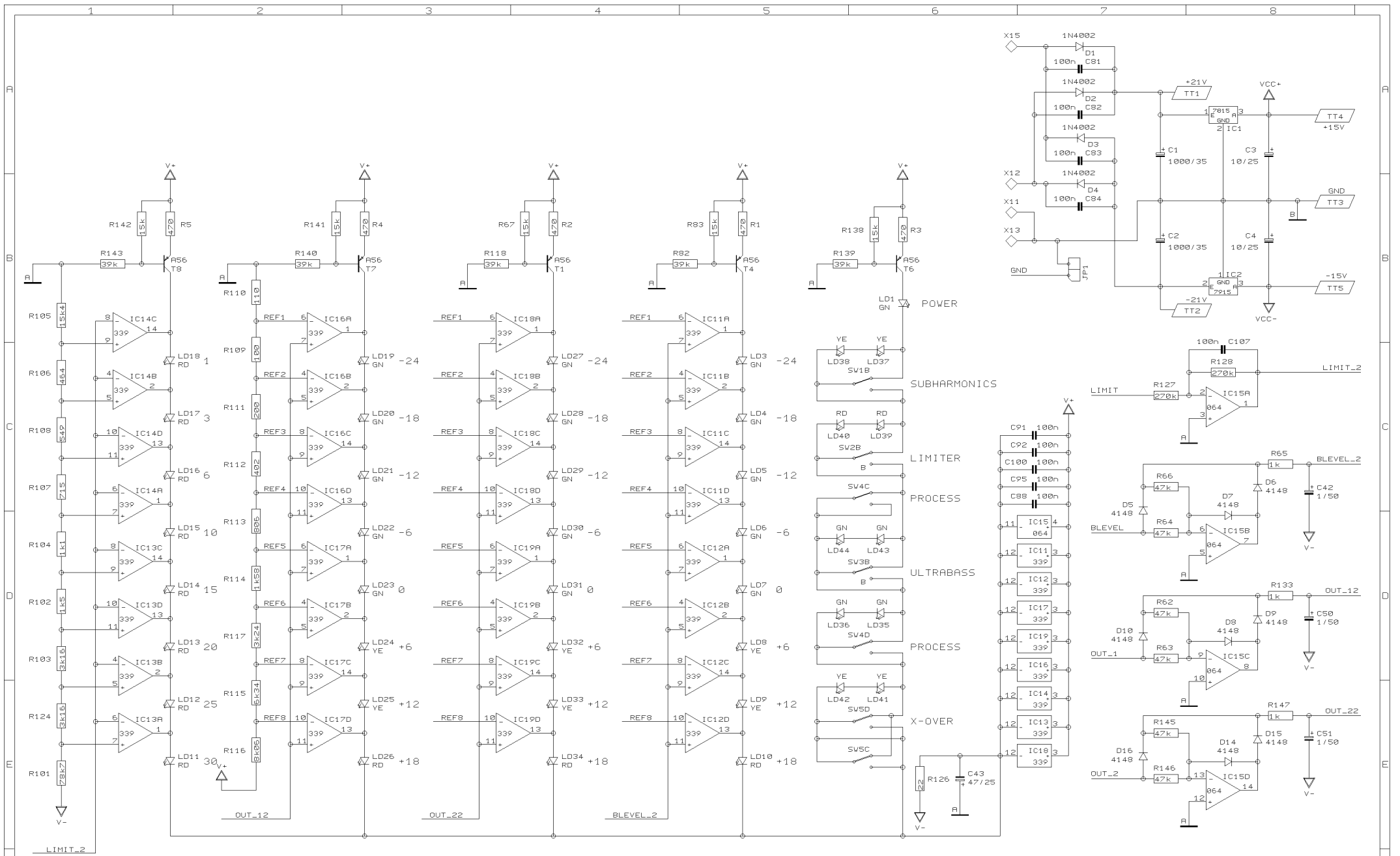
DATE 15.02. 1
15:22

BEHRINGER[®]

Specialized Studio Equipment

PROJECT
EX1200
PROCESS SECTION
CHANNEL 1&2

SHEET 2 OF 3 SHEETS TOTAL



REVISIONS F		
DRAWN	CHECKED	DATE 15.02. 1 15:23



PROJECT
EX1200
METERS & POWER SUPPLY

SHEET 3 OF 3 SHEETS TOTAL