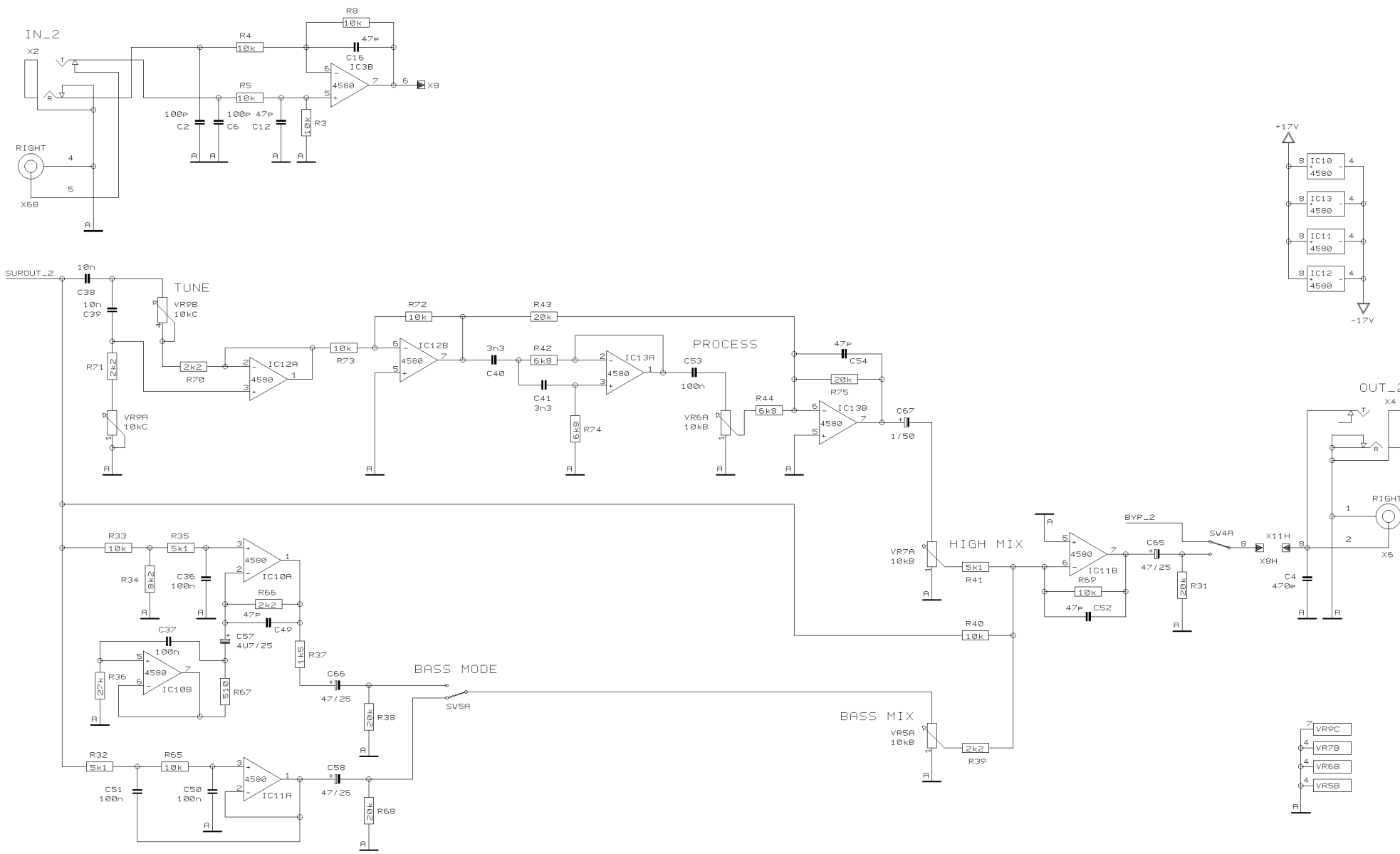


REVISIONS		
D		
DRAWN	CHECKED	DATE 15.02. 1 15:27


 Specialized Studio Equipment

PROJECT
 EX2200
 INPUT/OUTPUT SECTION
 CHANNEL 1
 SHEET 1 OF 3 SHEETS TOTAL



REVISIONS

D

DRAWN

CHECKED

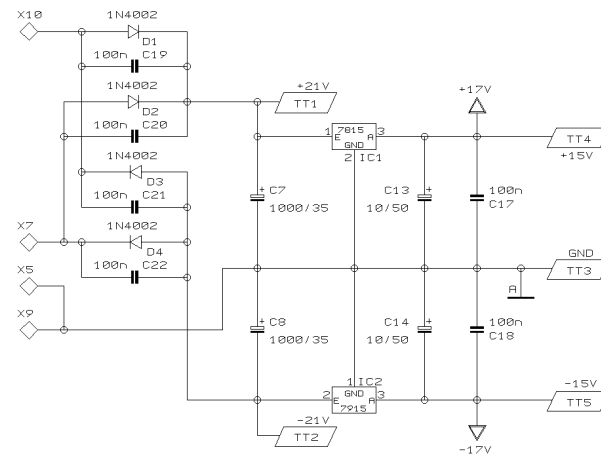
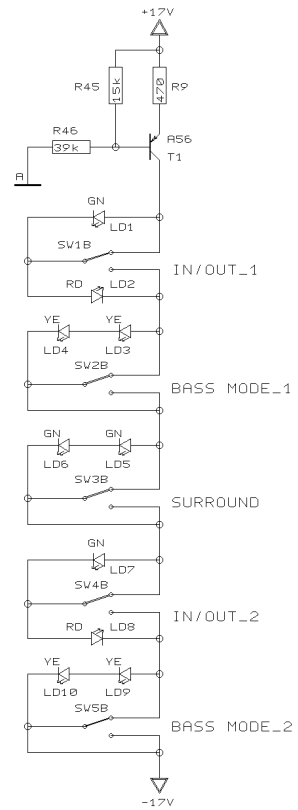
DATE 15.02. 1
15:28

BEHRINGER®

Specialized Studio Equipment

PROJECT
EX2200
INPUT/OUTPUT SECTION
CHANNEL 2

SHEET 2 OF 3 SHEETS TOTAL



REVISIONS

D

DRAWN

CHECKED

DATE 15.02. 1
15:28



PROJECT
EX2200
DUALFEX PRO
POWER SUPPLY

SHEET 3 OF 3 SHEETS TOTAL