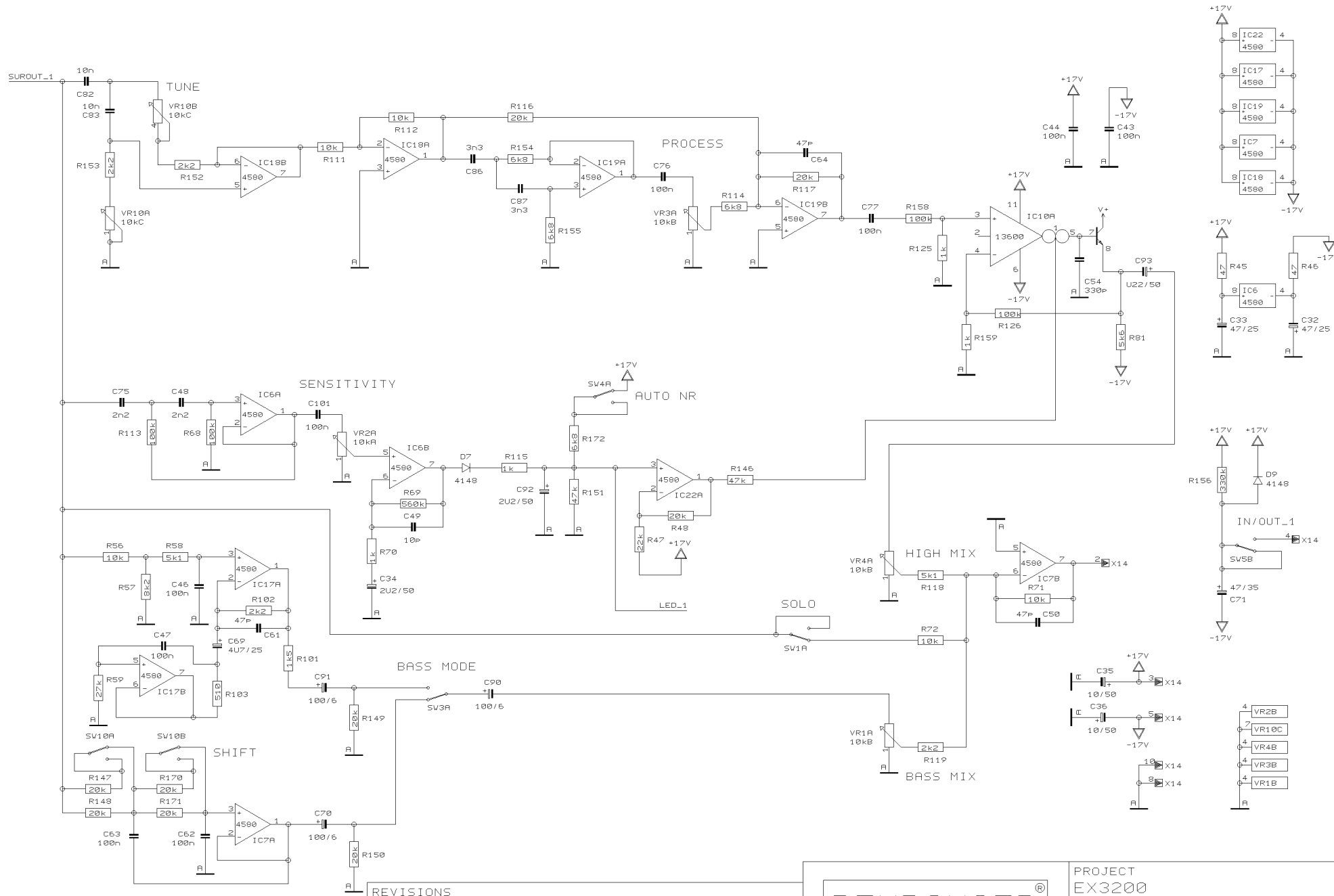


REVISIONS		
G		
DRAWN	CHECKED	DATE 25.01. 1 8:53



PROJECT
EX3200
INPUT/OUTPUT SECTION
CHANNEL 1&2
SHEET 1 OF 5 SHEETS TOTAL



REVISIONS

G

DRAWN

CHECKED

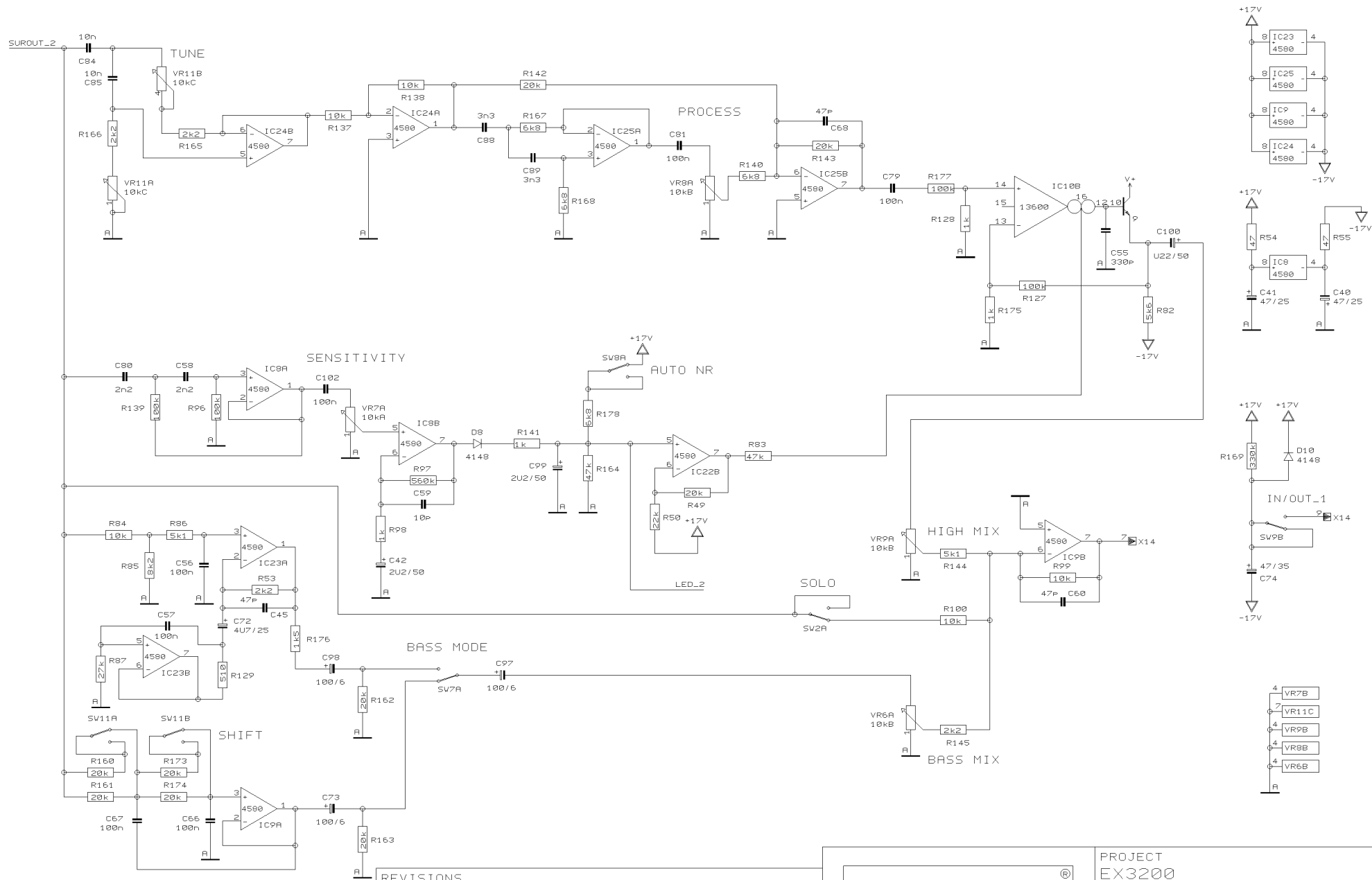
DATE 25.01. 1
8:53

BEHRINGER®

Specialized Studio Equipment

PROJECT
EX3200
PROCESS SECTION
CHANNEL 1

SHEET 2 OF 5 SHEETS TOTAL



REVISIONS

G

DRAWN

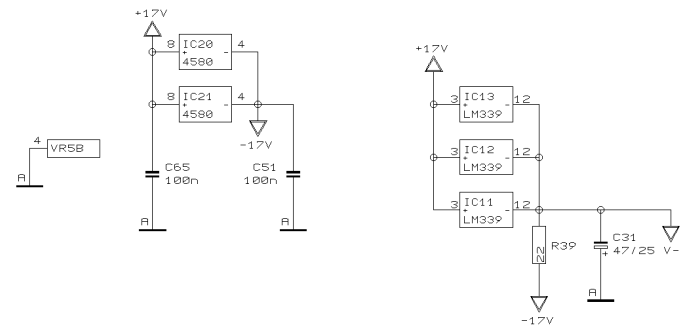
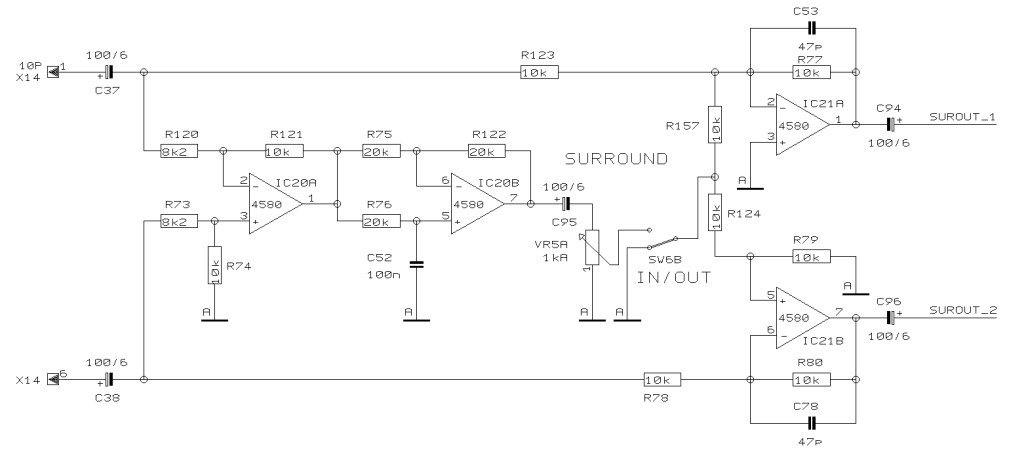
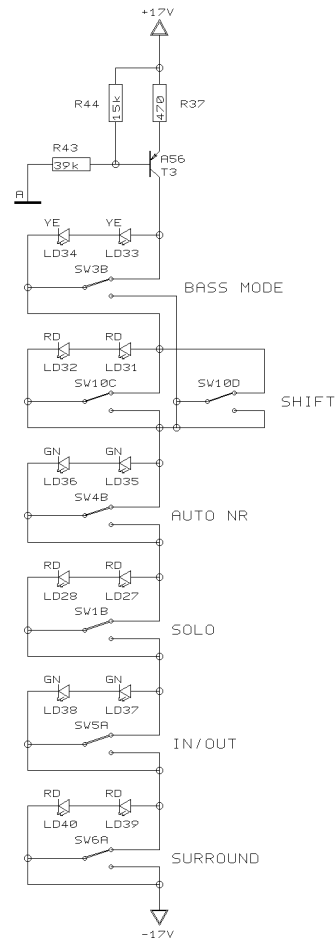
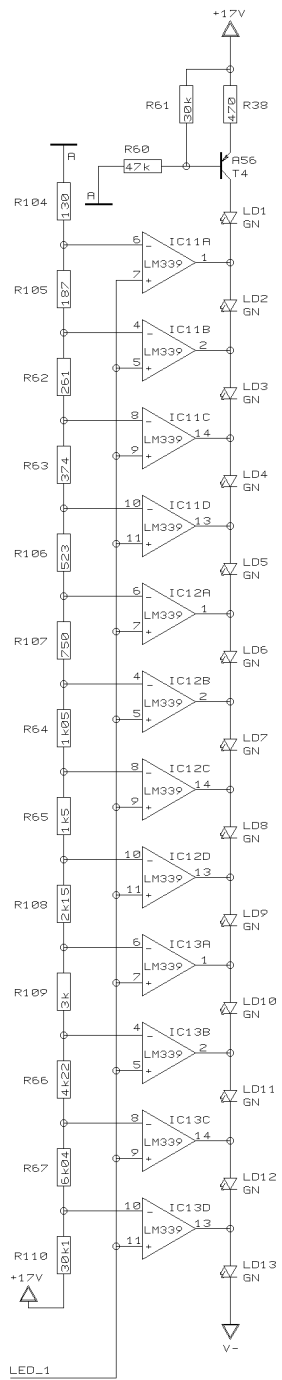
CHECKED

DATE 25.01. 1
8:53



Specialized Studio Equipment

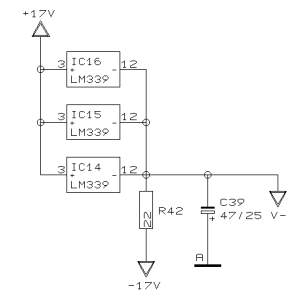
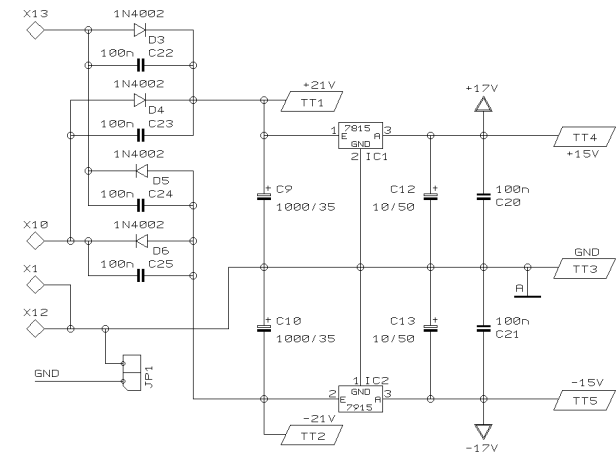
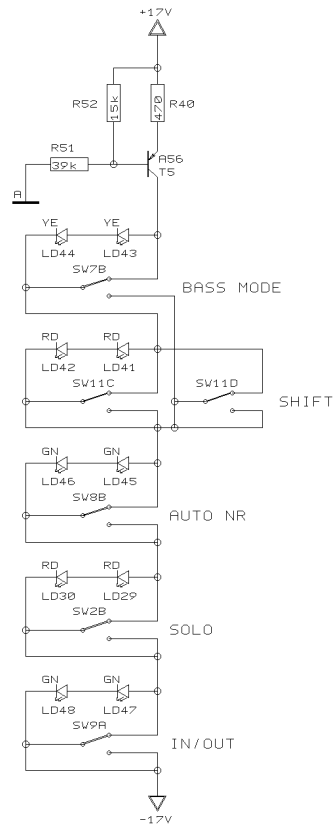
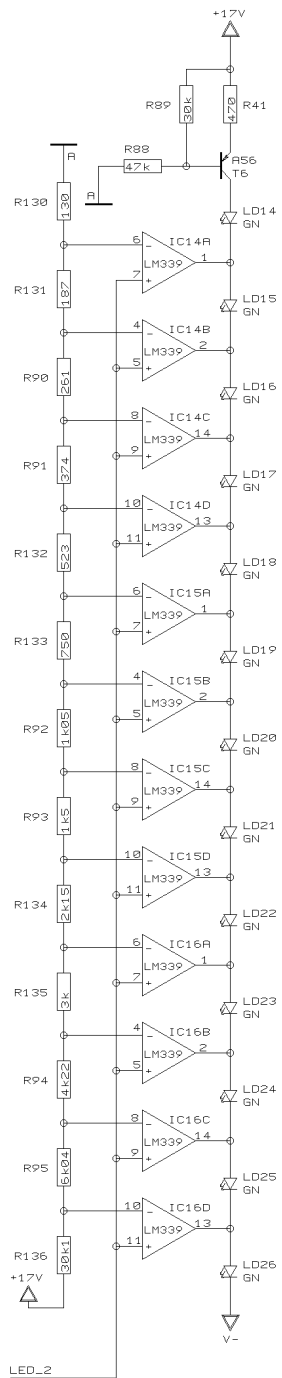
PROJECT
EX3200
PROCESS SECTION
CHANNEL 2
SHEET 3 OF 5 SHEETS TOTAL



REVISIONS		
G		
DRAWN	CHECKED	DATE 25.01. 1 8:53



PROJECT EX3200 ULTRAFEX SURROUND PROCESSOR
SHEET 4 OF 5 SHEETS TOTAL



REVISIONS
G

DRAWN

CHECKED

DATE 25.01. 1
8:53

BEHRINGER[®]
Specialized Studio Equipment

PROJECT
EX3200
ULTRAFEX
POWER SUPPLY

SHEET 5 OF 5 SHEETS TOTAL