

REVISIONS F (11/01/06)

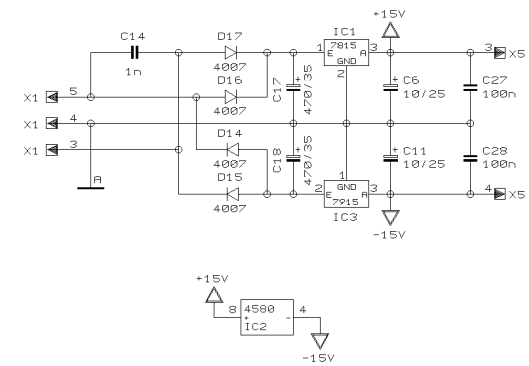
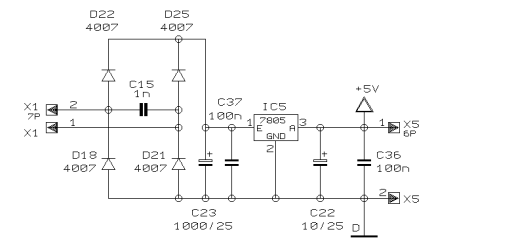
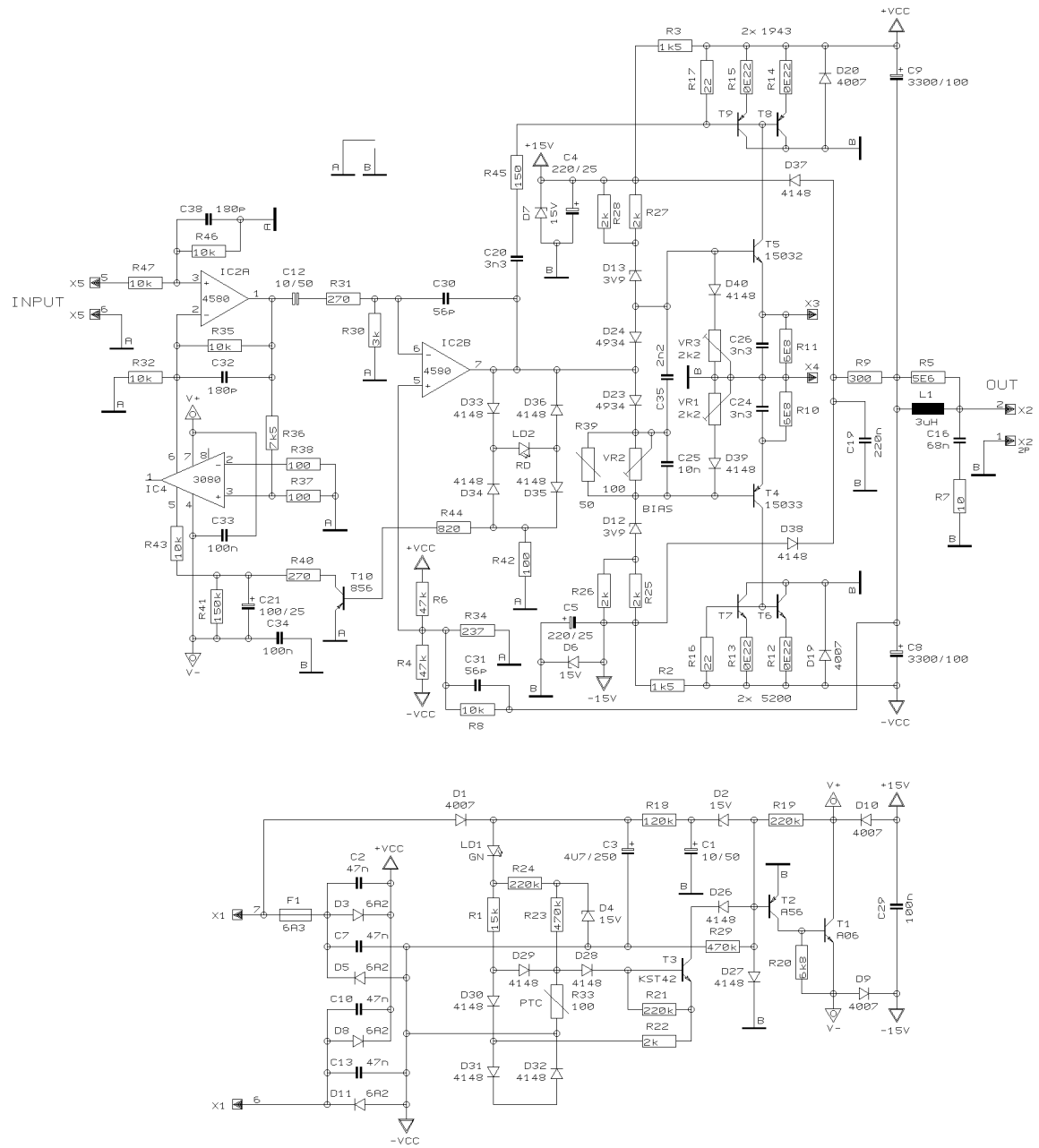
DRAWN SA

CHECKED

DATE 08.03. 6  
17:02



PROJECT  
LPA1300  
300W POWER AMP  
SCHEMATICS  
SHEET 1 OF 1 SHEETS TOTAL



REVISIONS D (22/08/05)

DRAWN SA

CHECKED

DATE 08.03. 6  
17:01



PROJECT  
LPA1300  
300W POWER AMP  
SCHEMATICS

SHEET 1 OF 1 SHEETS TOTAL