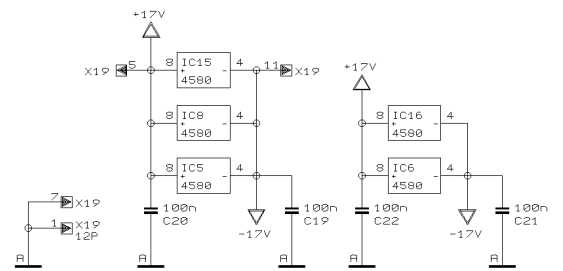
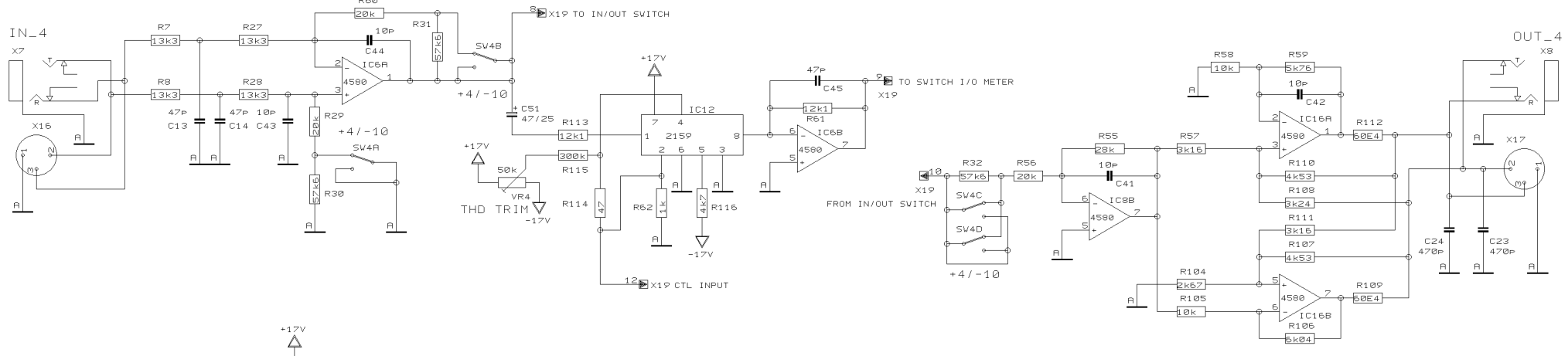
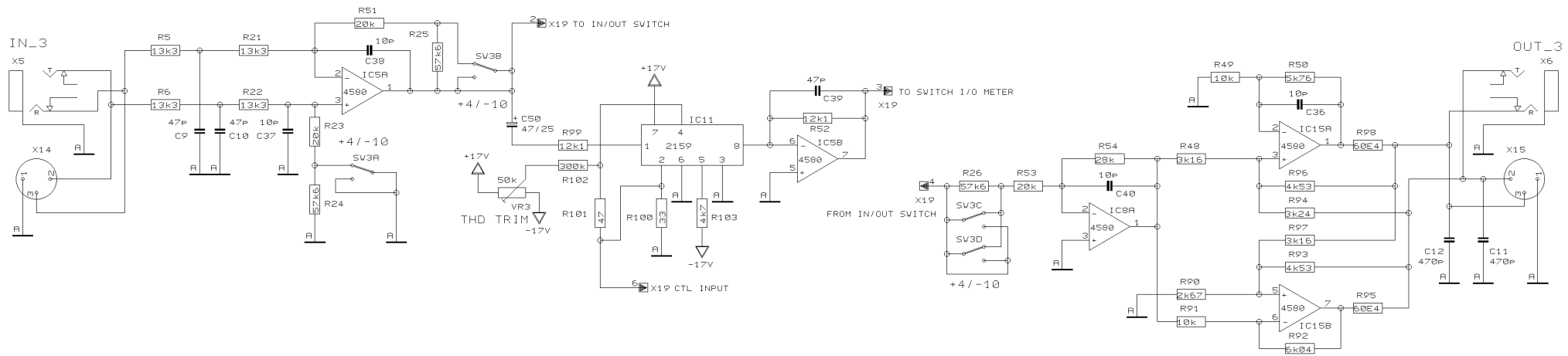


REVISIONS		F
DRAWN	CHECKED	DATE 14.02. 1 14:39



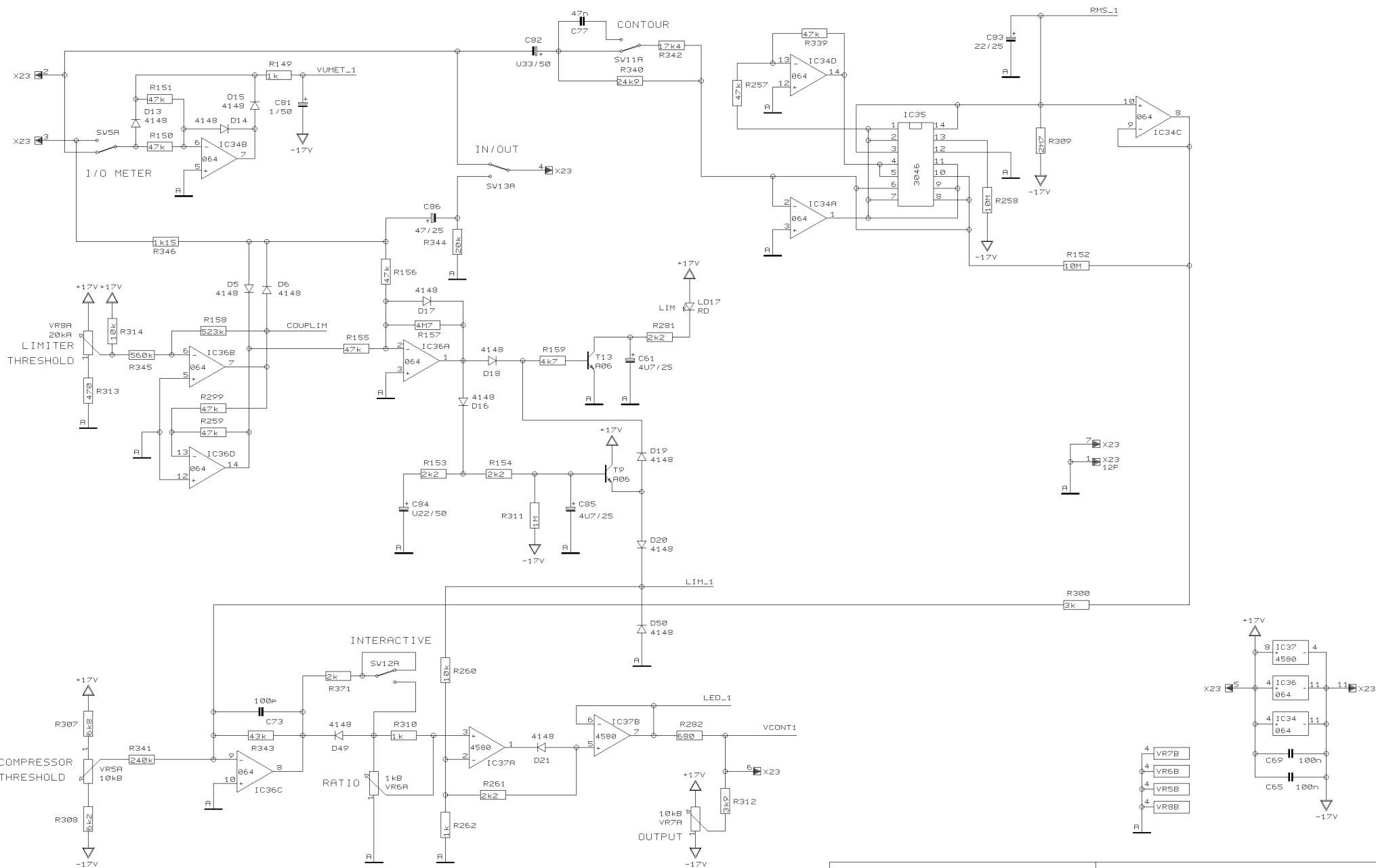
PROJECT  
MDX4400  
INPUT/OUTPUT SECTION  
CHANNEL 1&2  
SHEET 1 OF 10 SHEETS TOTAL



REVISIONS		
F		
DRAWN	CHECKED	DATE 14.02. 14:39



PROJECT  
MDX4400  
INPUT/OUTPUT SECTION  
CHANNEL 3&4  
SHEET 2 OF 10 SHEETS TOTAL



REVISIONS

F

DRAWN

CHECKED

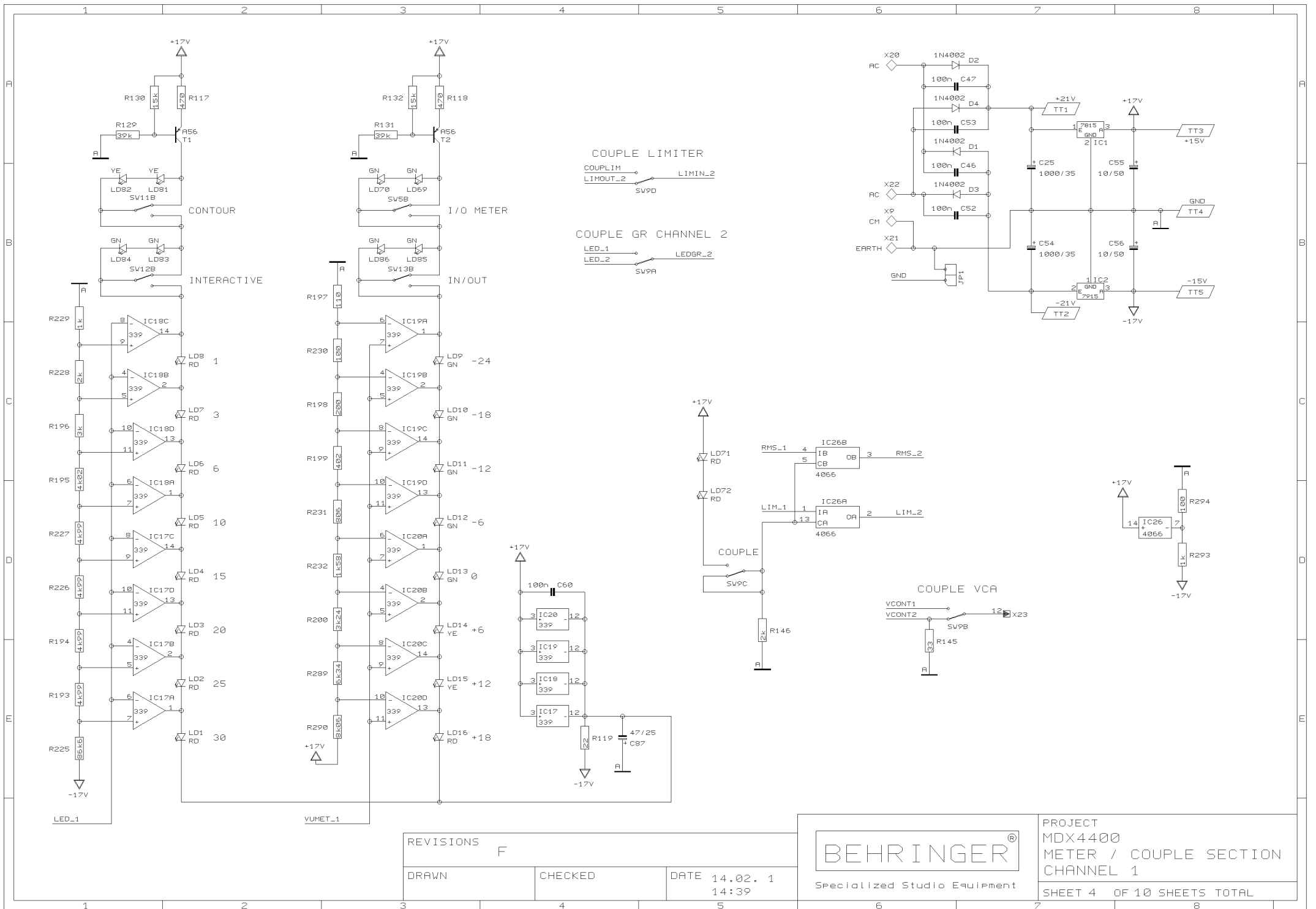
DATE 14.02. 1  
14:39

BEHRINGER®

Specialized Studio Equipment

PROJECT  
MDX4400  
RMS / LIMITER  
CHANNEL 1

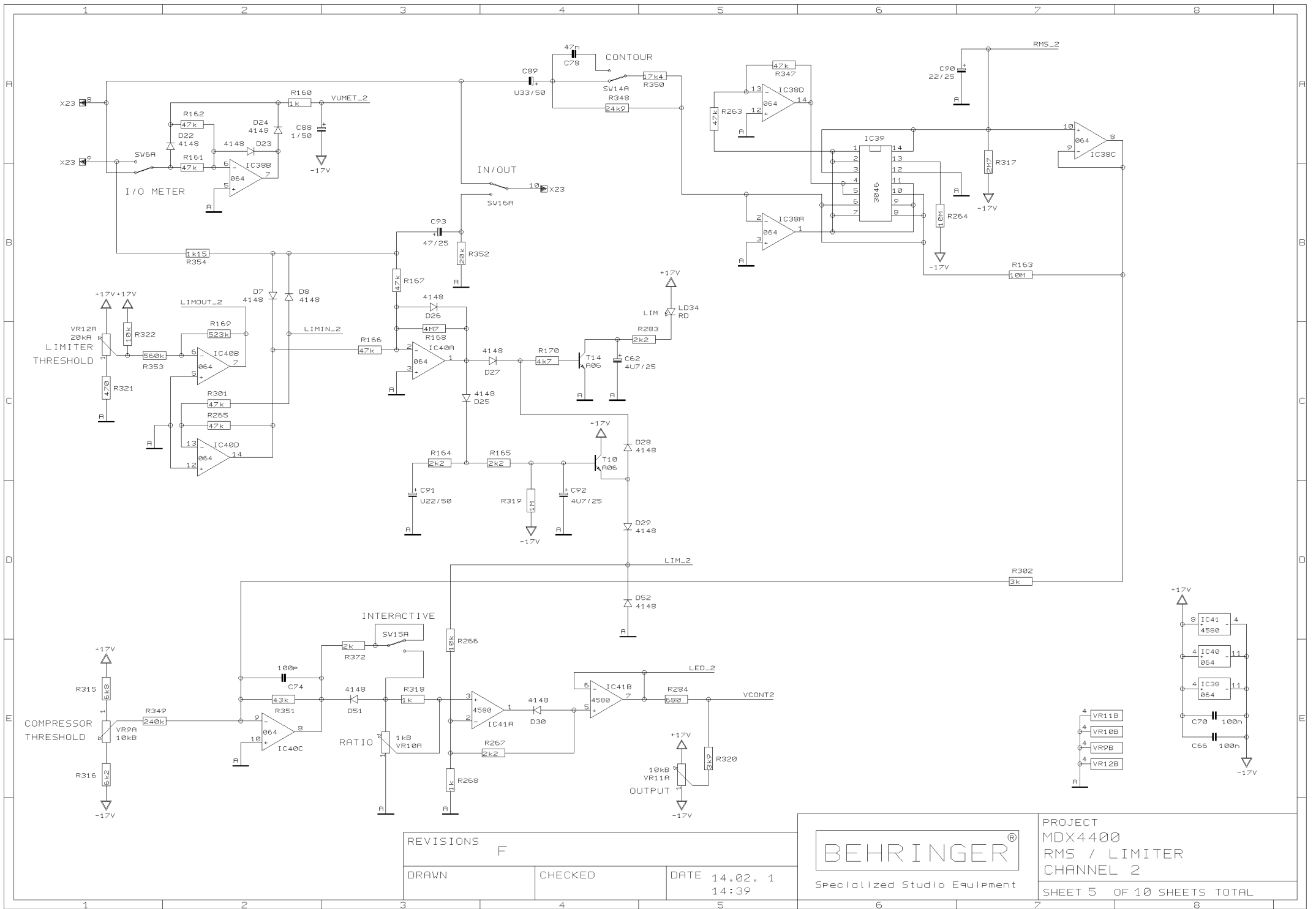
SHEET 3 OF 10 SHEETS TOTAL



REVISIONS		
F		
DRAWN	CHECKED	DATE 14.02. 1 14:39

**BEHRINGER®**  
Specialized Studio Equipment

PROJECT  
MDX4400  
METER / COUPLE SECTION  
CHANNEL 1  
SHEET 4 OF 10 SHEETS TOTAL



REVISIONS

F

DRAWN

CHECKED

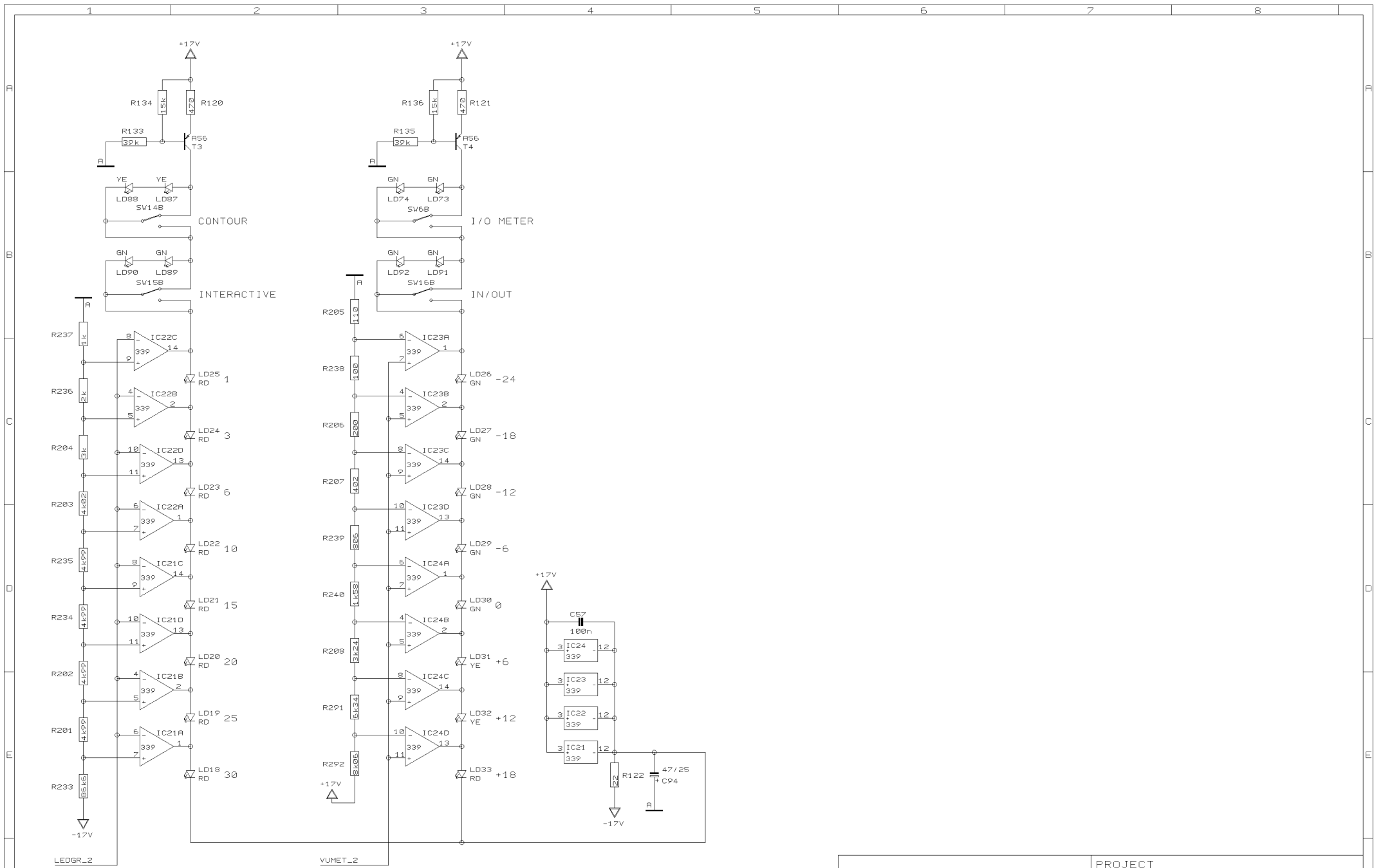
DATE 14.02. 1  
14:39

BEHRINGER®

Specialized Studio Equipment

PROJECT  
MDX4400  
RMS / LIMITER  
CHANNEL 2

SHEET 5 OF 10 SHEETS TOTAL



REVISIONS

F

DRAWN

CHECKED

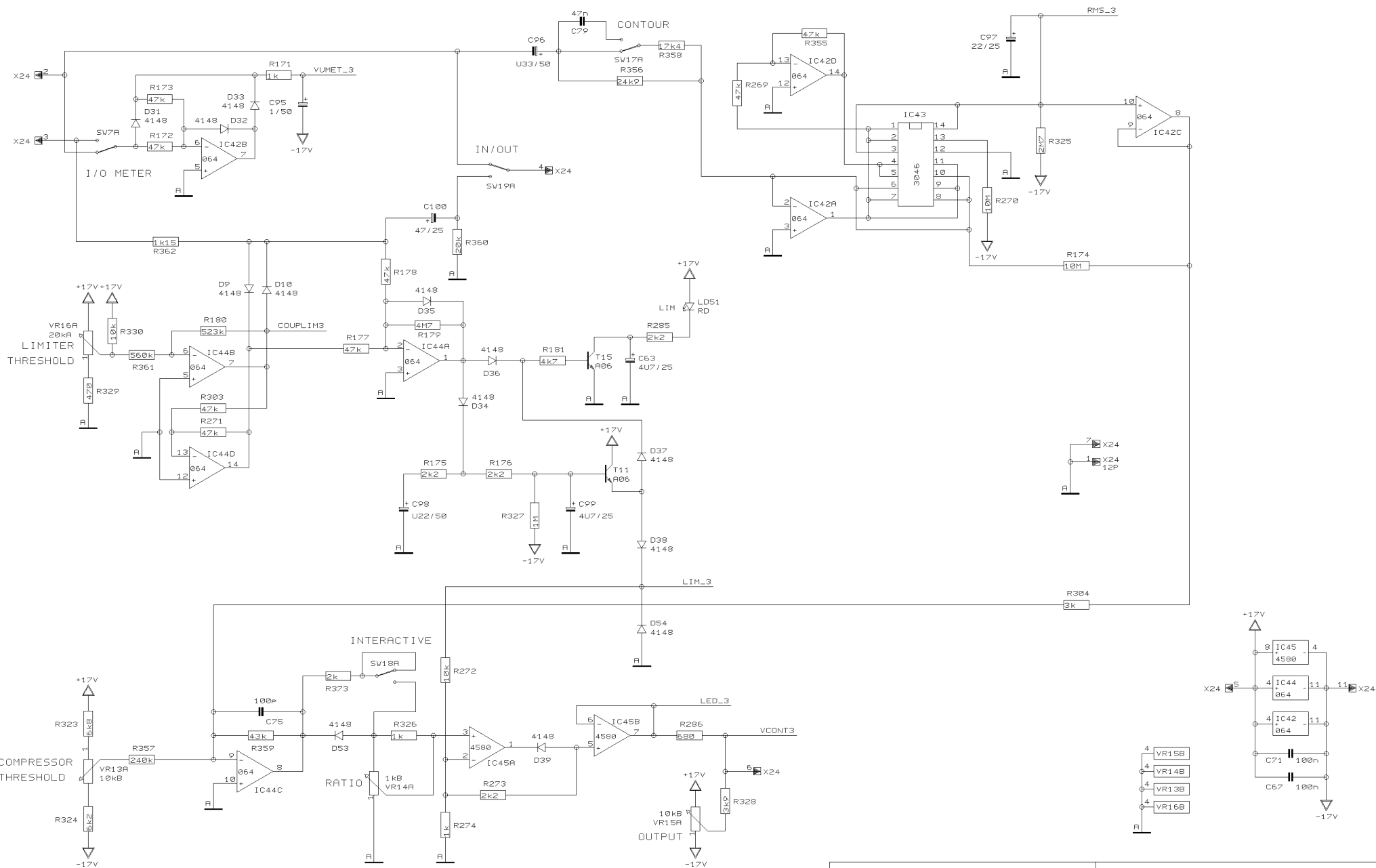
DATE 14.02. 1  
14:39

BEHRINGER®

Specialized Studio Equipment

PROJECT  
MDX4400  
METER SECTION  
CHANNEL 2

SHEET 6 OF 10 SHEETS TOTAL



REVISIONS

F

DRAWN

CHECKED

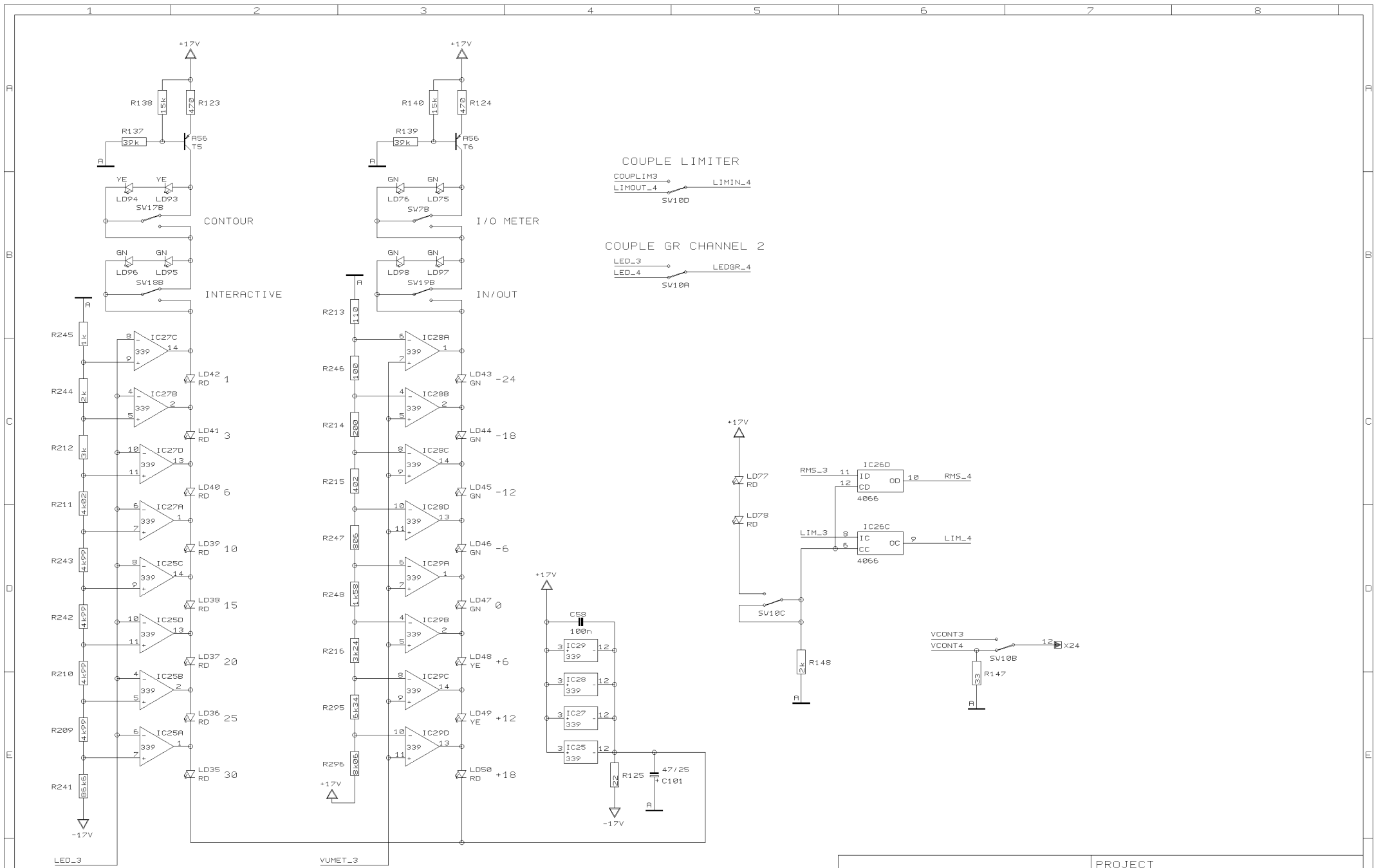
DATE 14.02. 1  
14:39

BEHRINGER®

Specialized Studio Equipment

PROJECT  
MDX4400  
RMS / LIMITER  
CHANNEL 3

SHEET 7 OF 10 SHEETS TOTAL



REVISIONS		
F		
DRAWN	CHECKED	DATE 14.02. 1 14:39

**BEHRINGER®**

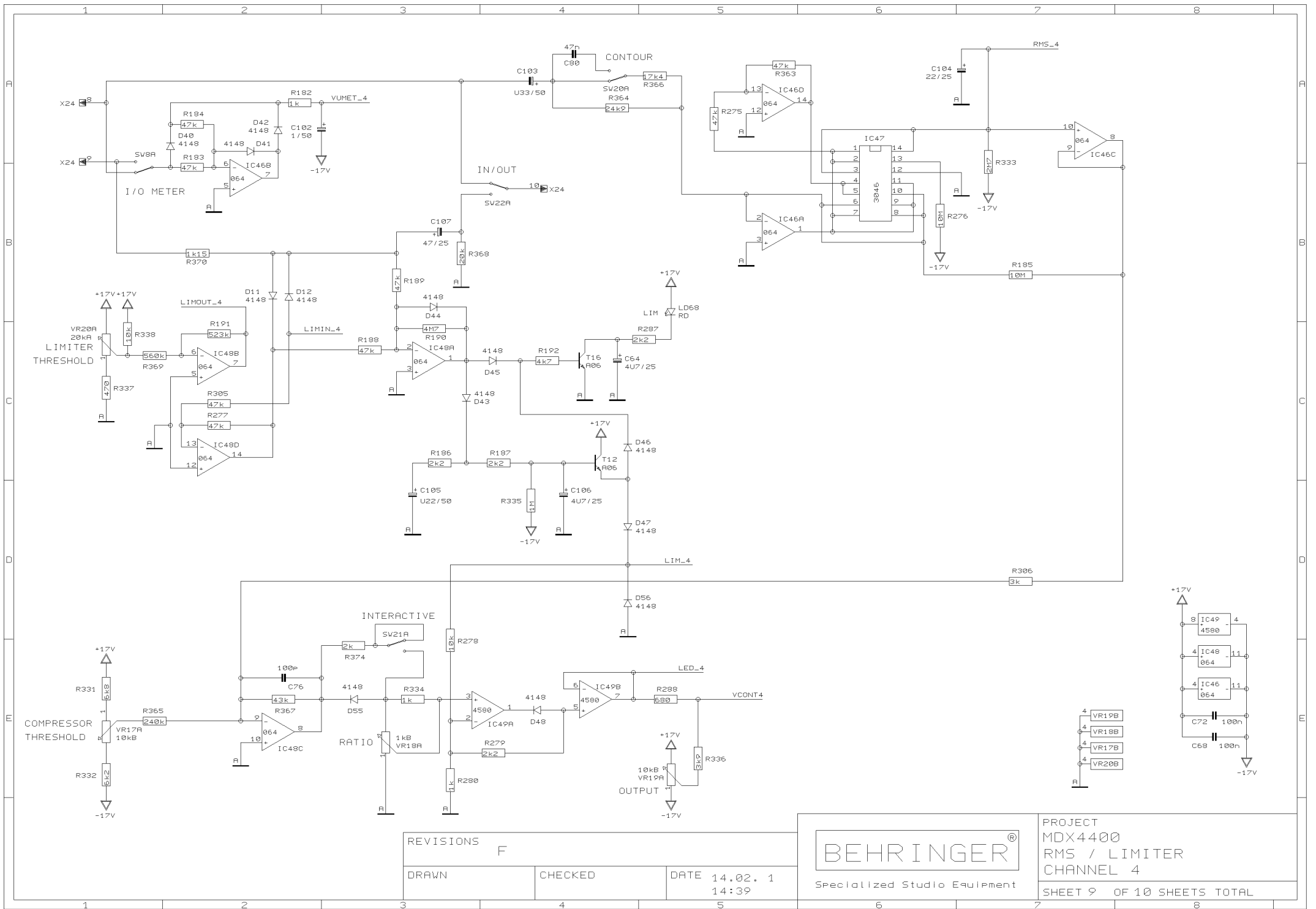
Specialized Studio Equipment

PROJECT  
MDX4400  
METER / COUPLE SECTION  
CHANNEL 3

---

SHEET 8 OF 10 SHEETS TOTAL

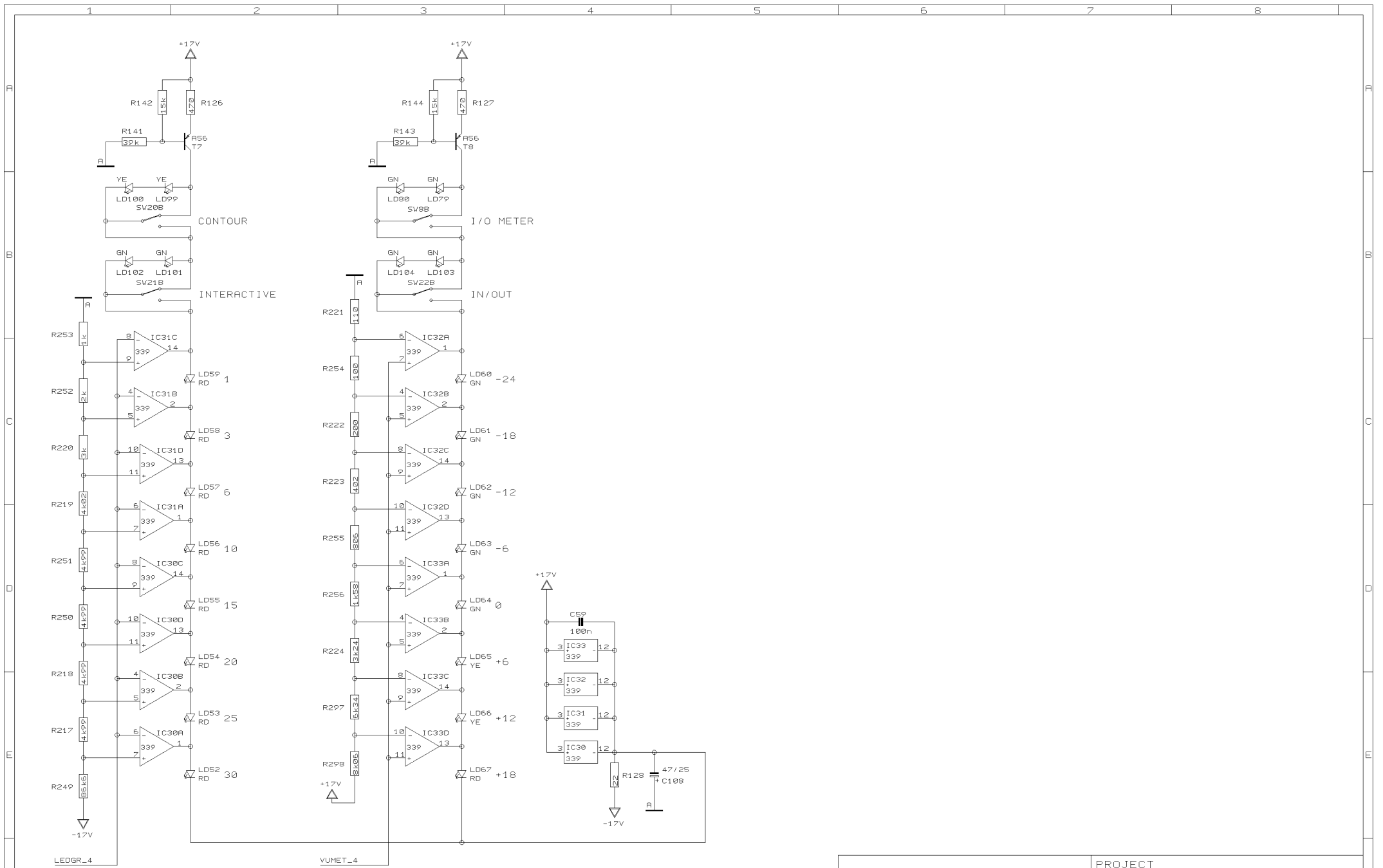




REVISIONS		
F		
DRAWN	CHECKED	DATE 14.02. 1 14:39



PROJECT  
MDX4400  
RMS / LIMITER  
CHANNEL 4  
SHEET 9 OF 10 SHEETS TOTAL



REVISIONS

F

DRAWN

CHECKED

DATE 14.02. 1  
14:39

BEHRINGER®

Specialized Studio Equipment

PROJECT  
MDX4400  
METER SECTION  
CHANNEL 4

SHEET 10 OF 10 SHEETS TOTAL