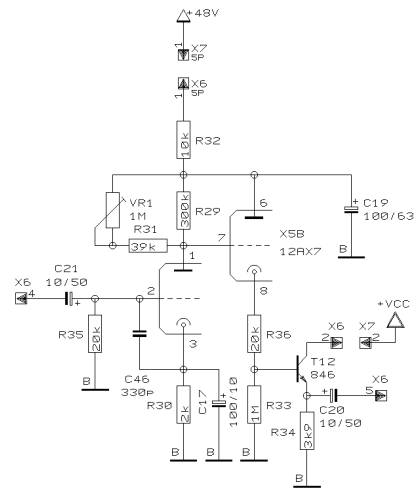
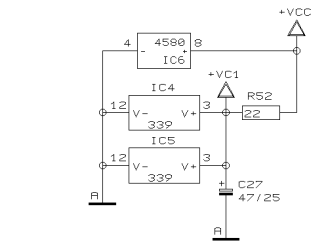
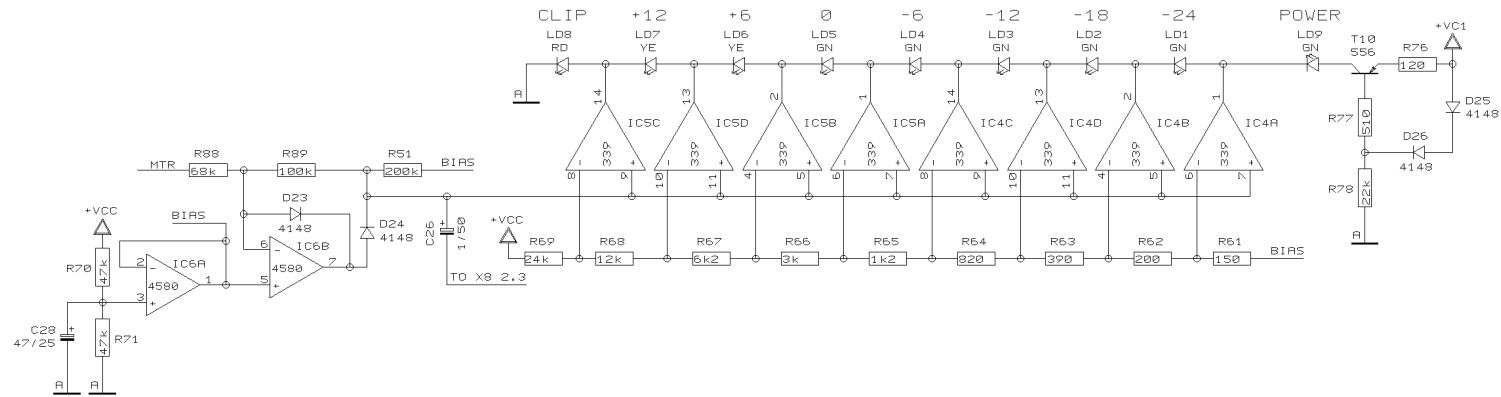


REVISIONS D (26/02/04)

DRAWN SA      CHECKED      DATE 26.03. 4 10:00



PROJECT MIC200  
TUBE ULTRAGAIN  
PREAMP  
SHEET 1 OF 2 SHEETS TOTAL



REVISIONS		D	
DRAWN	SA	CHECKED	DATE 26.03. 4 10:00



PROJECT  
MIC200  
TUBE ULTRAGAIN  
VU METER/TUBE STAGE  
SHEET 2 OF 2 SHEETS TOTAL