

REVISIONS G

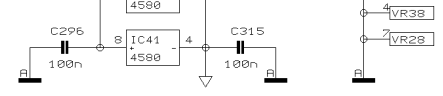
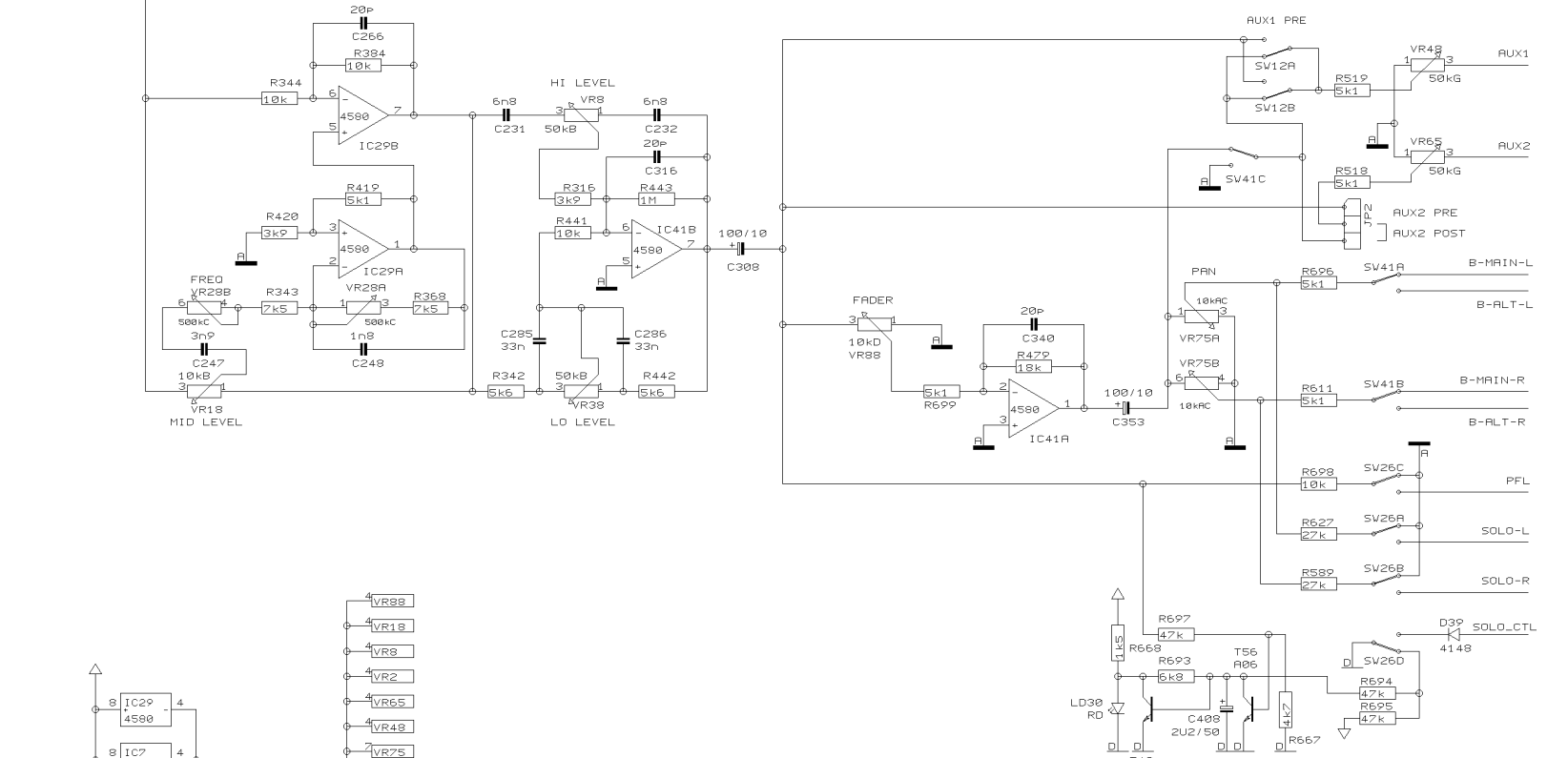
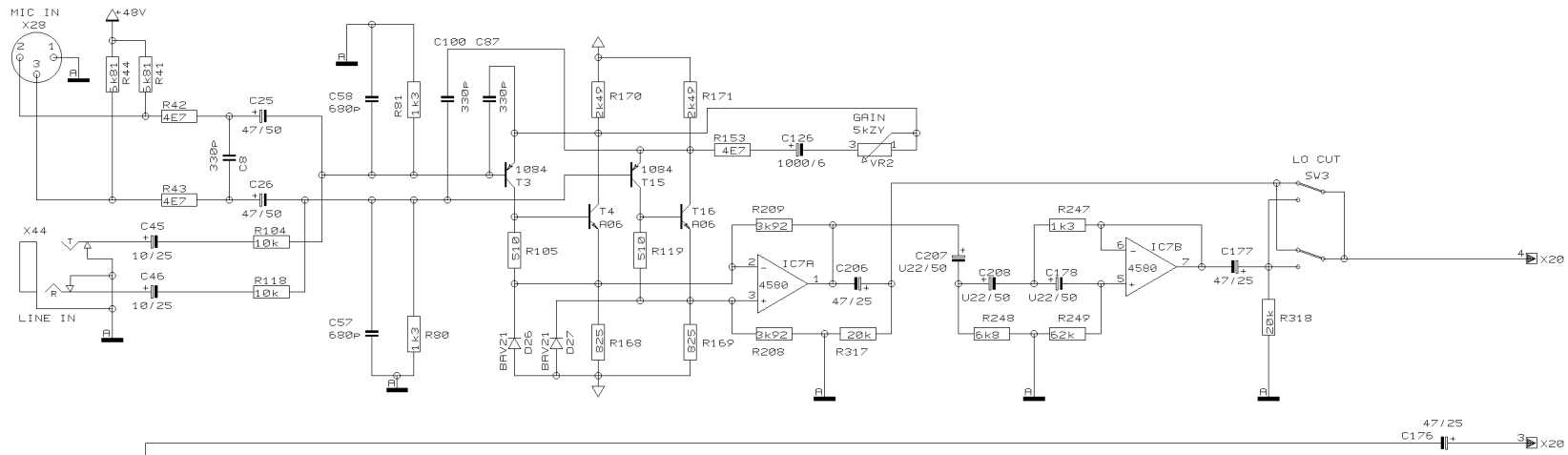
DRAWN

CHECKED

DATE 05.02. 1
10:41



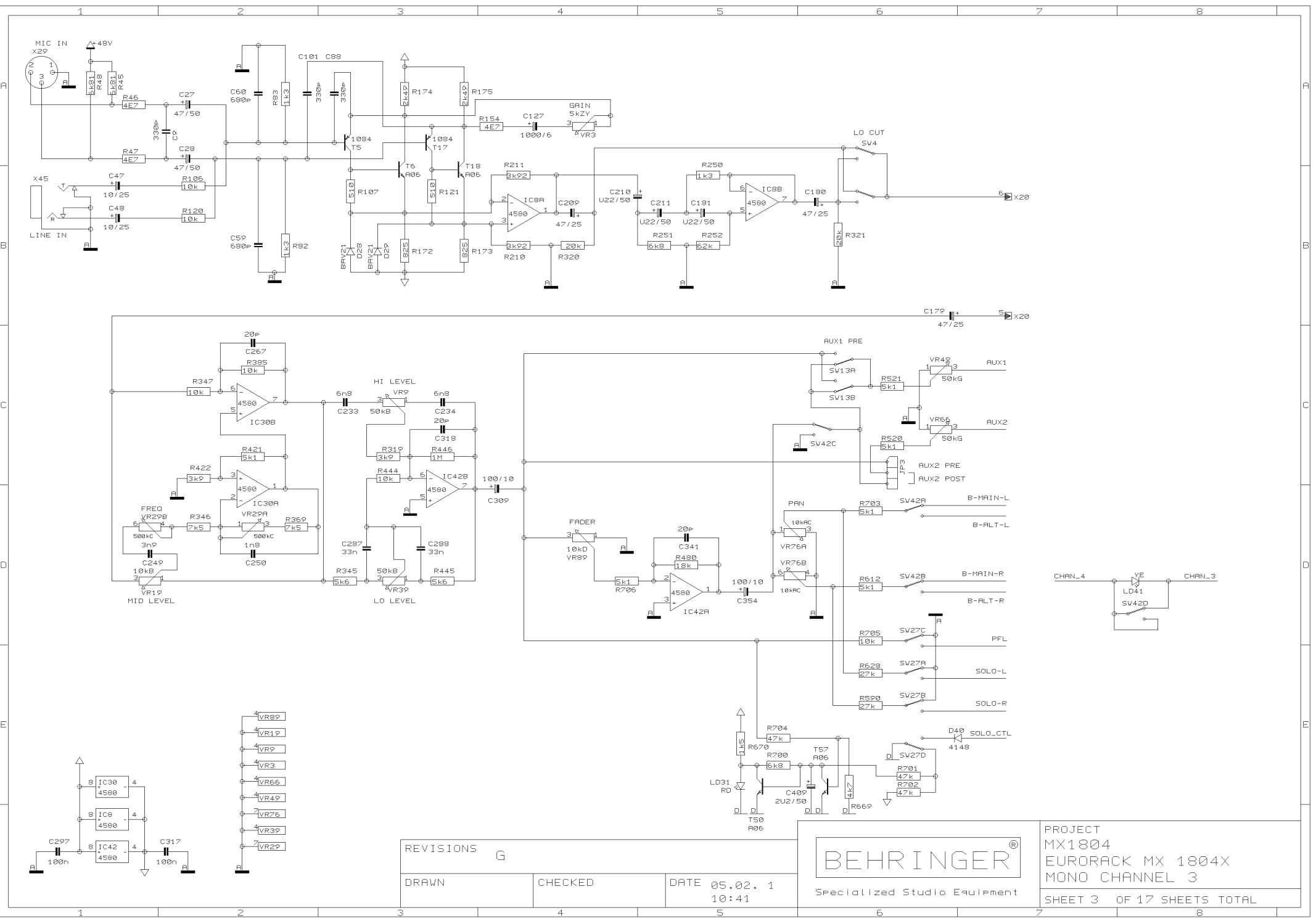
PROJECT
MX1804
EURORACK MX 1804X
MONO CHANNEL 1
SHEET 1 OF 17 SHEETS TOTAL



REVISIONS		G
DRAWN	CHECKED	DATE 05.02. 10:41



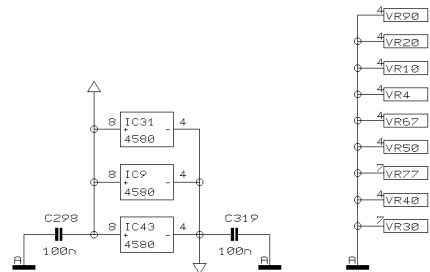
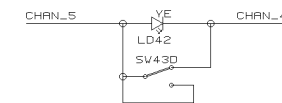
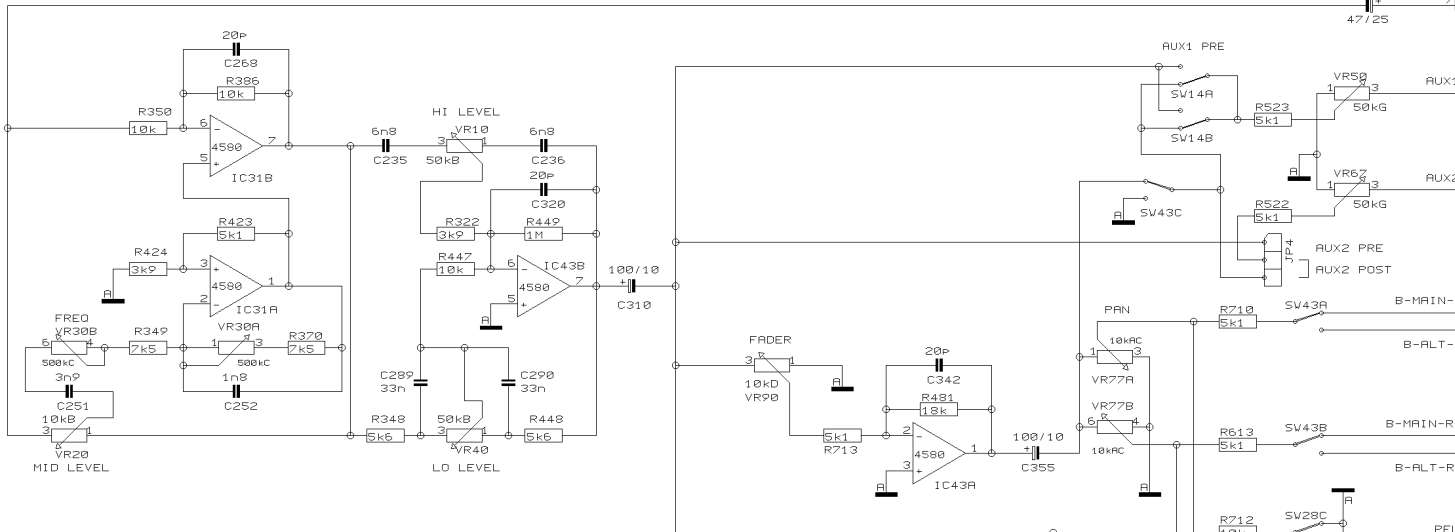
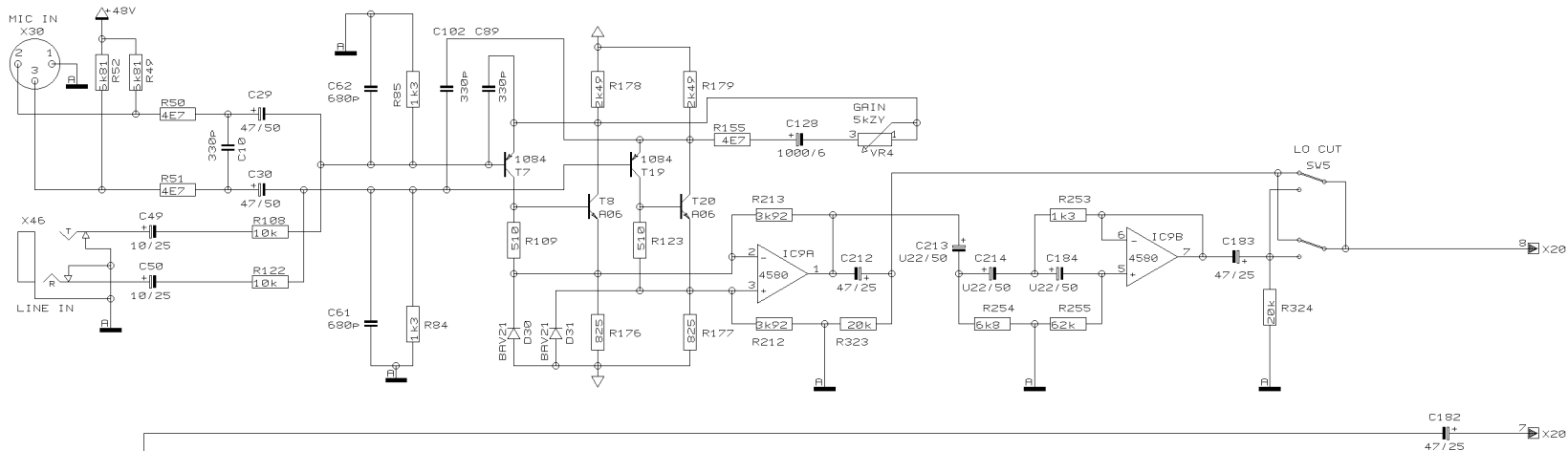
PROJECT
MX1804
EURORACK MX 1804X
MONO CHANNEL 2
SHEET 2 OF 17 SHEETS TOTAL



REVISIONS		G
DRAWN	CHECKED	DATE 05.02. 10:41



PROJECT
 MX1804
 EURORACK MX 1804X
 MONO CHANNEL 3
 SHEET 3 OF 17 SHEETS TOTAL



REVISIONS G

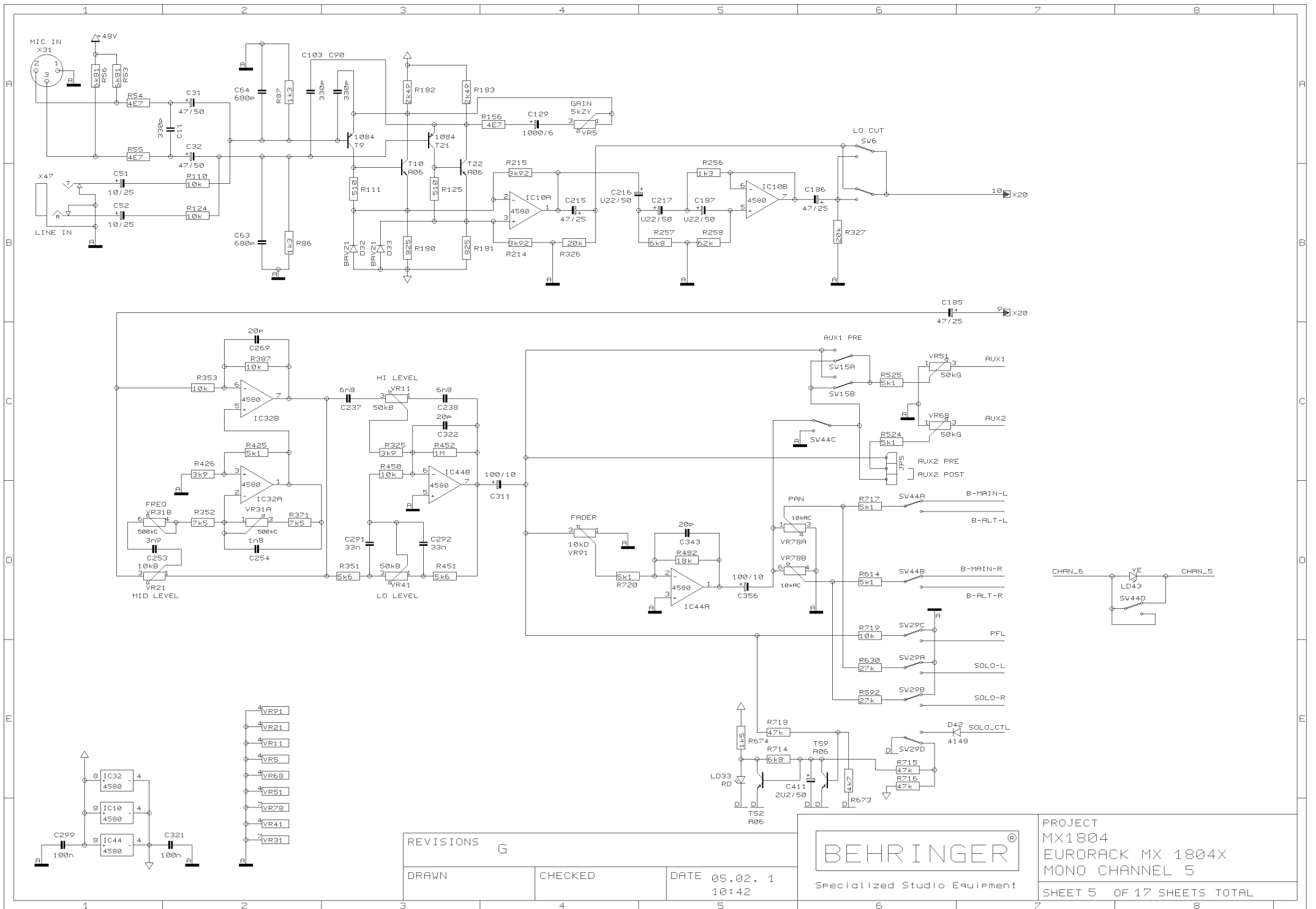
DRAWN

CHECKED

DATE 05.02. 1
10:42



PROJECT
MX1804
EURORACK MX 1804X
MONO CHANNEL 4
SHEET 4 OF 17 SHEETS TOTAL



REVISIONS G

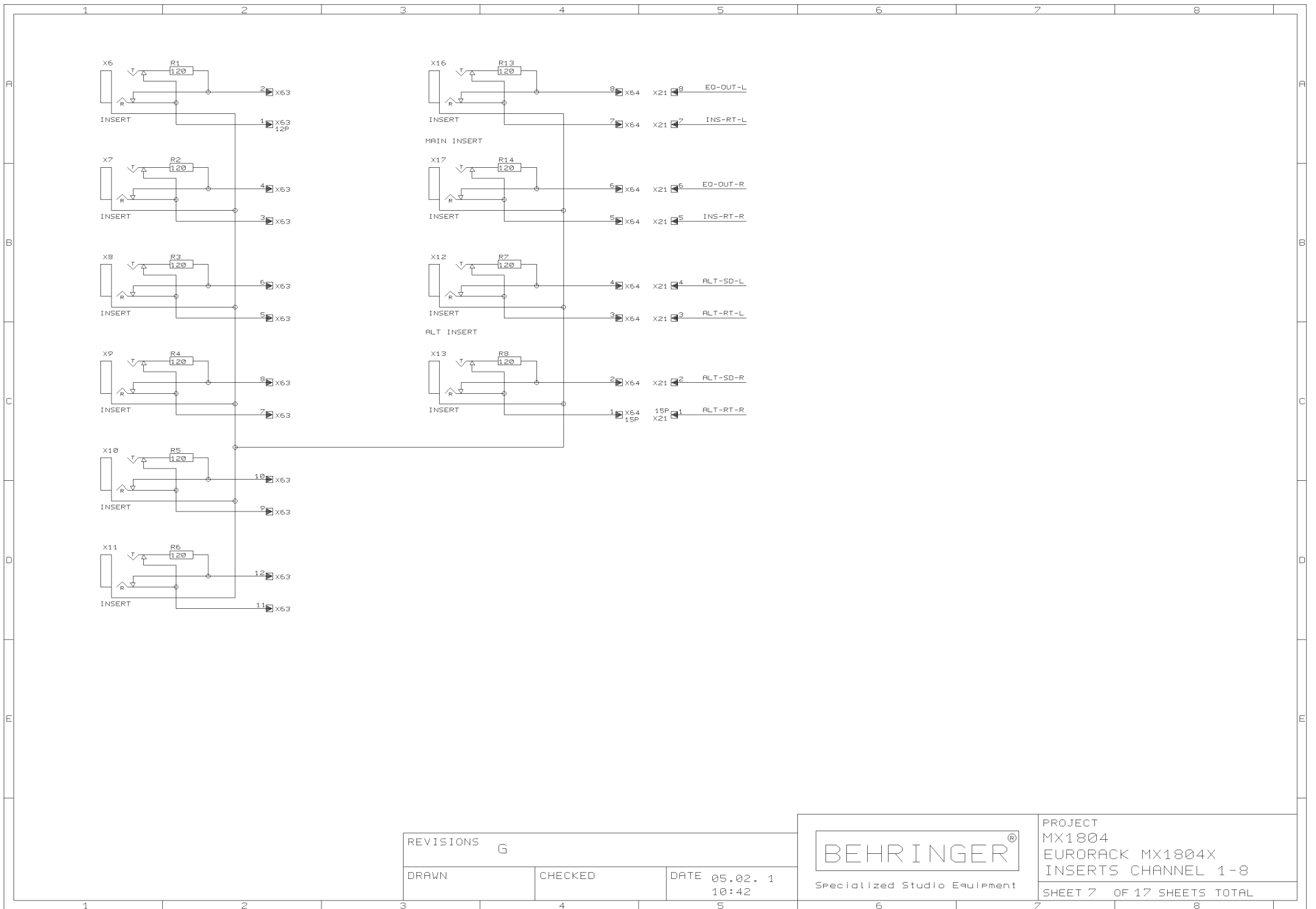
DRAWN

CHECKED

DATE 05.02. 1
10:42



PROJECT
MX1804
EURORACK MX 1804X
MONO CHANNEL 5
SHEET 5 OF 17 SHEETS TOTAL



REVISIONS G

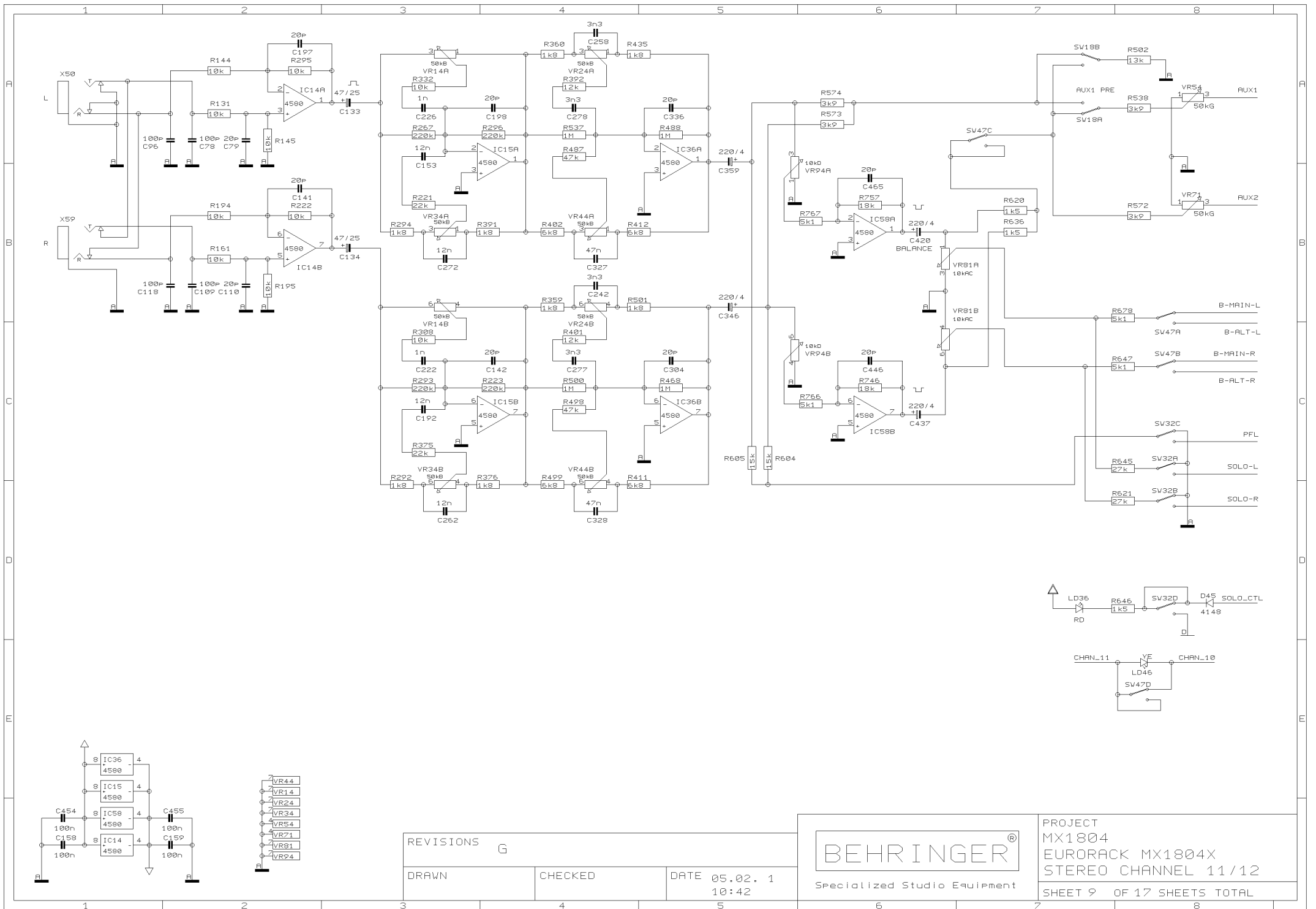
DRAWN

CHECKED

DATE 05.02. 1
10:42



PROJECT
MX1804
EURORACK MX1804X
INSERTS CHANNEL 1-8
SHEET 7 OF 17 SHEETS TOTAL



REVISIONS G

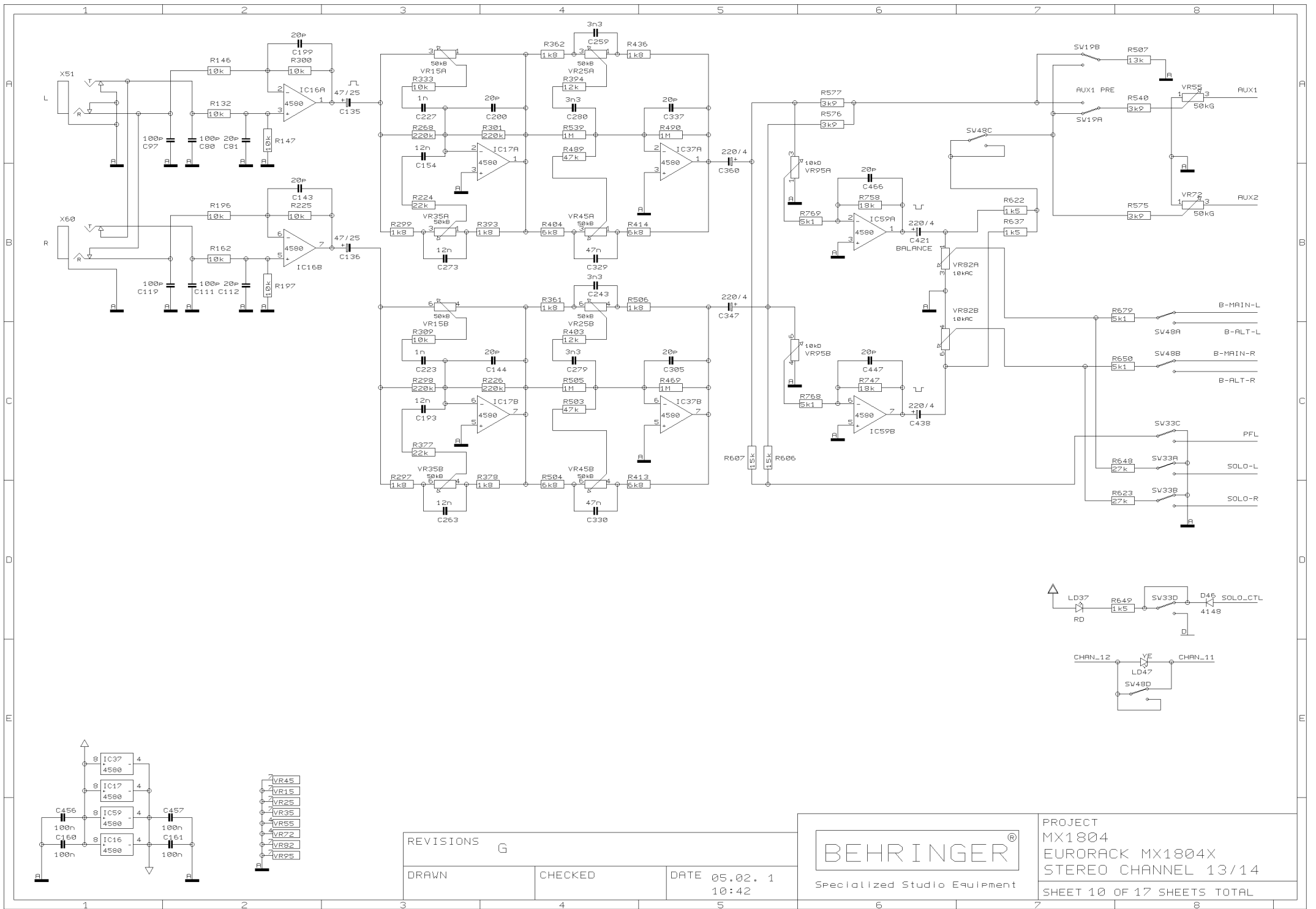
DRAWN

CHECKED

DATE 05.02. 1
10:42



PROJECT
MX1804
EURORACK MX1804X
STEREO CHANNEL 11/12
SHEET 9 OF 17 SHEETS TOTAL



REVISIONS G

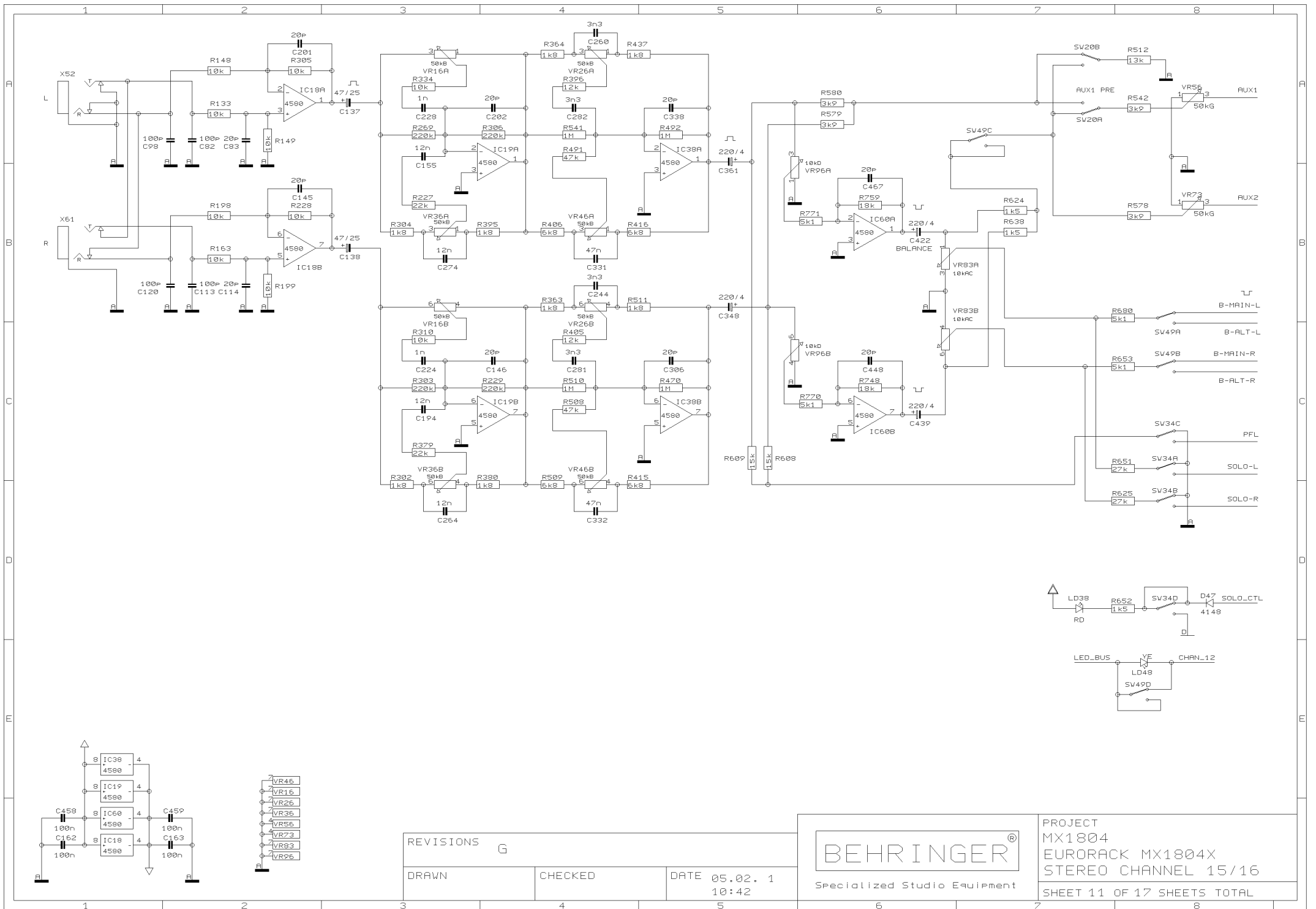
DRAWN

CHECKED

DATE 05.02. 1
10:42



PROJECT
MX1804
EURORACK MX1804X
STEREO CHANNEL 13/14
SHEET 10 OF 17 SHEETS TOTAL



REVISIONS G

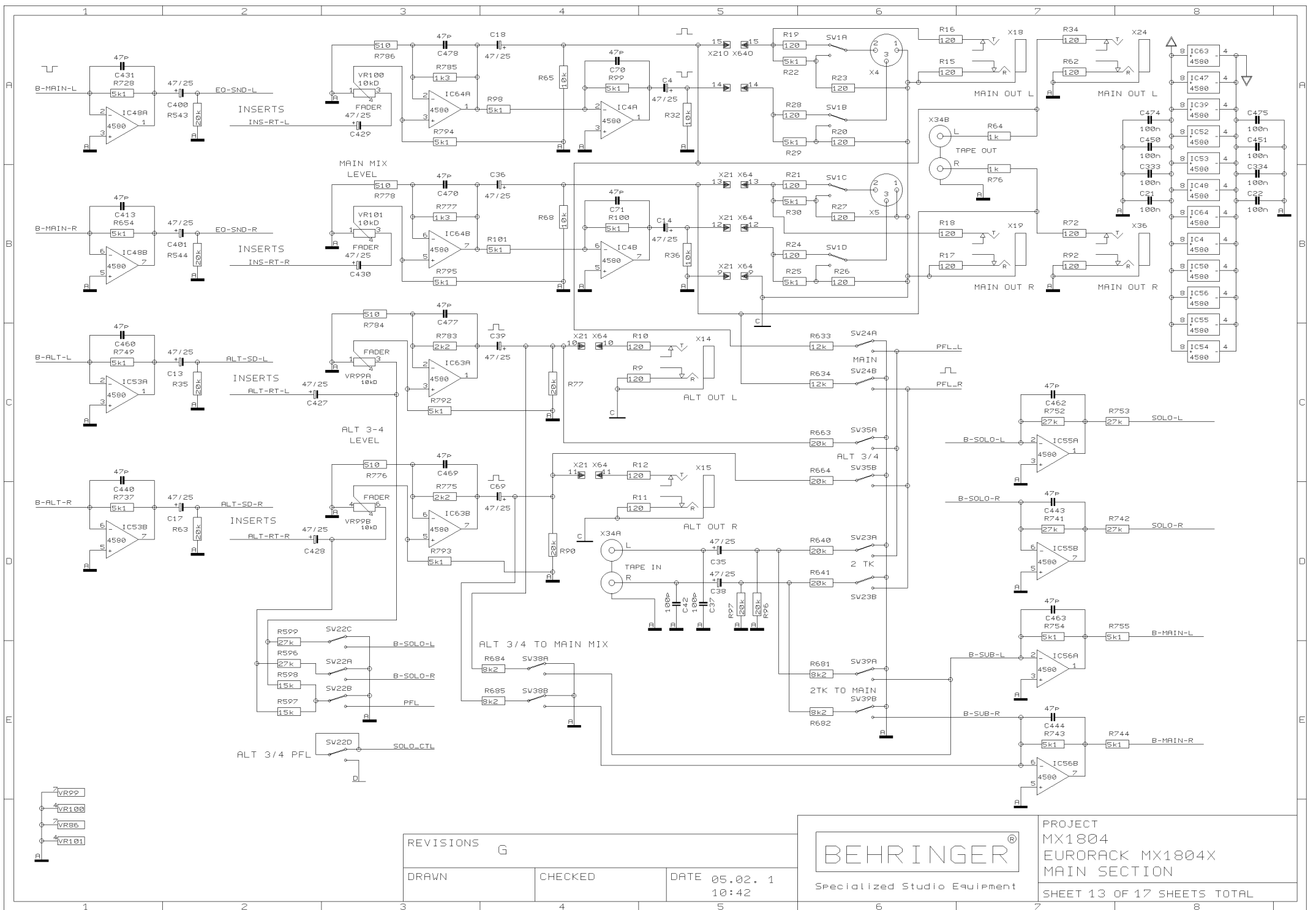
DRAWN

CHECKED

DATE 05.02. 1
10:42



PROJECT
MX1804
EURORACK MX1804X
STEREO CHANNEL 15/16
SHEET 11 OF 17 SHEETS TOTAL



REVISIONS G

DRAWN

CHECKED

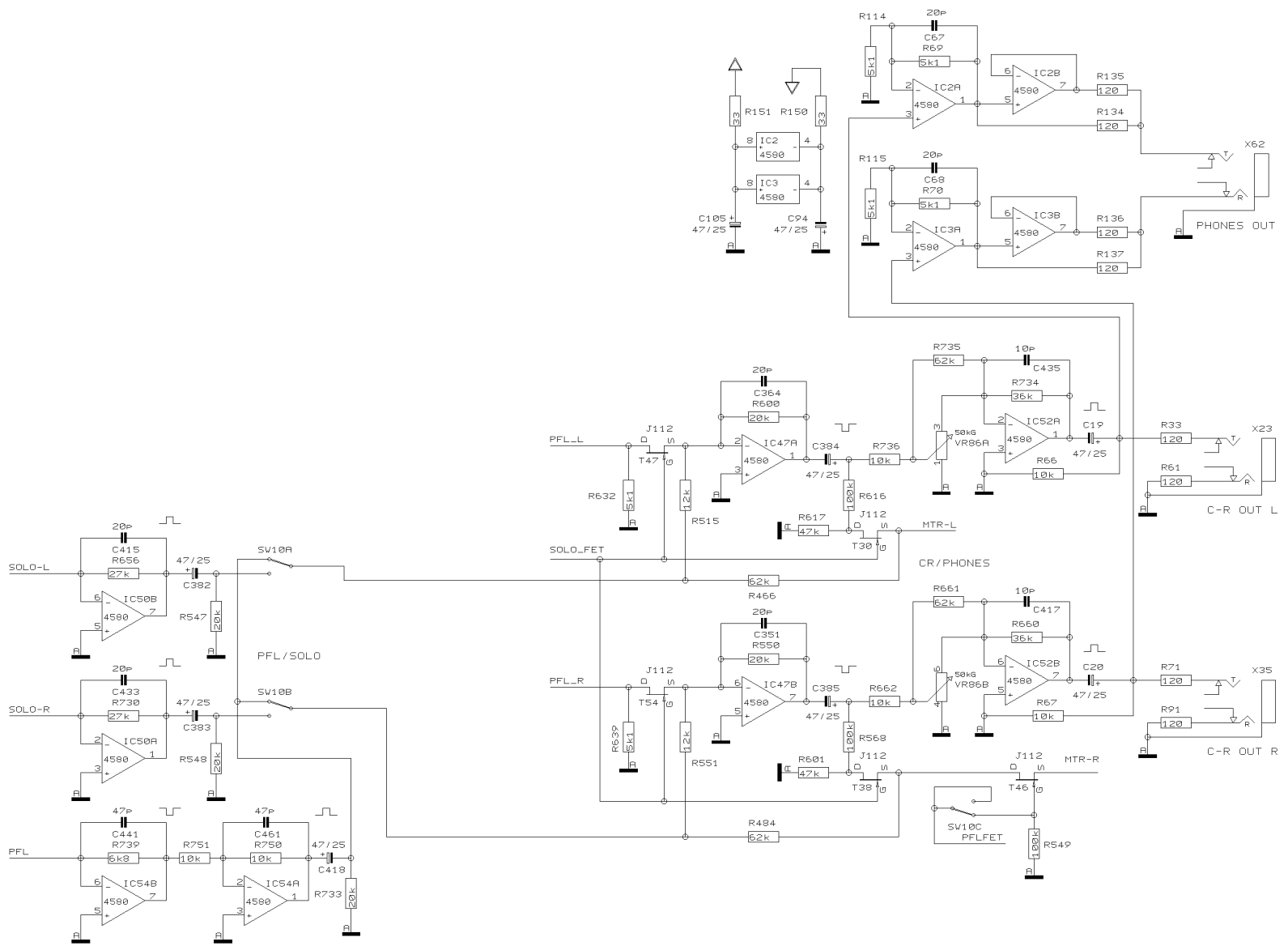
DATE 05.02. 1
10:42

BEHRINGER®

Specialized Studio Equipment

PROJECT
MX1804
EURORACK MX1804X
MAIN SECTION

SHEET 13 OF 17 SHEETS TOTAL



REVISIONS G

DRAWN

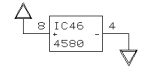
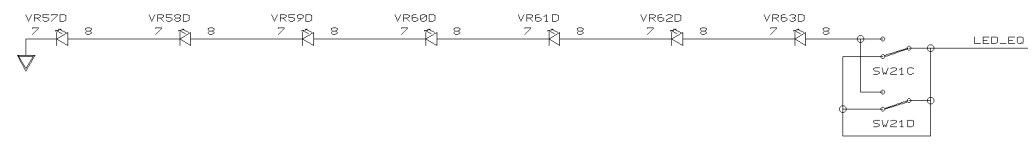
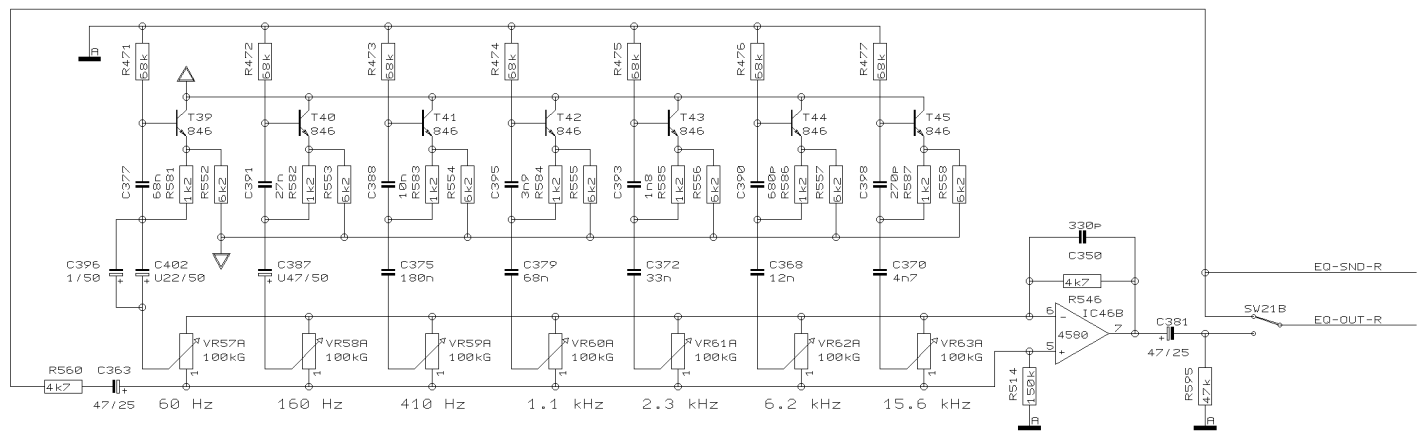
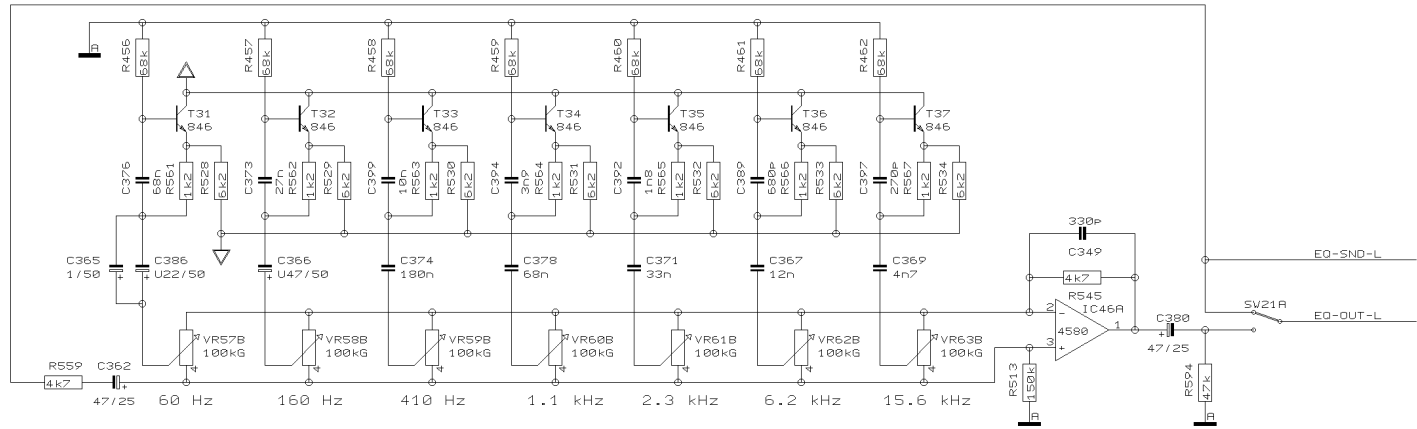
CHECKED

DATE 05.02. 1
10:42



Specialized Studio Equipment

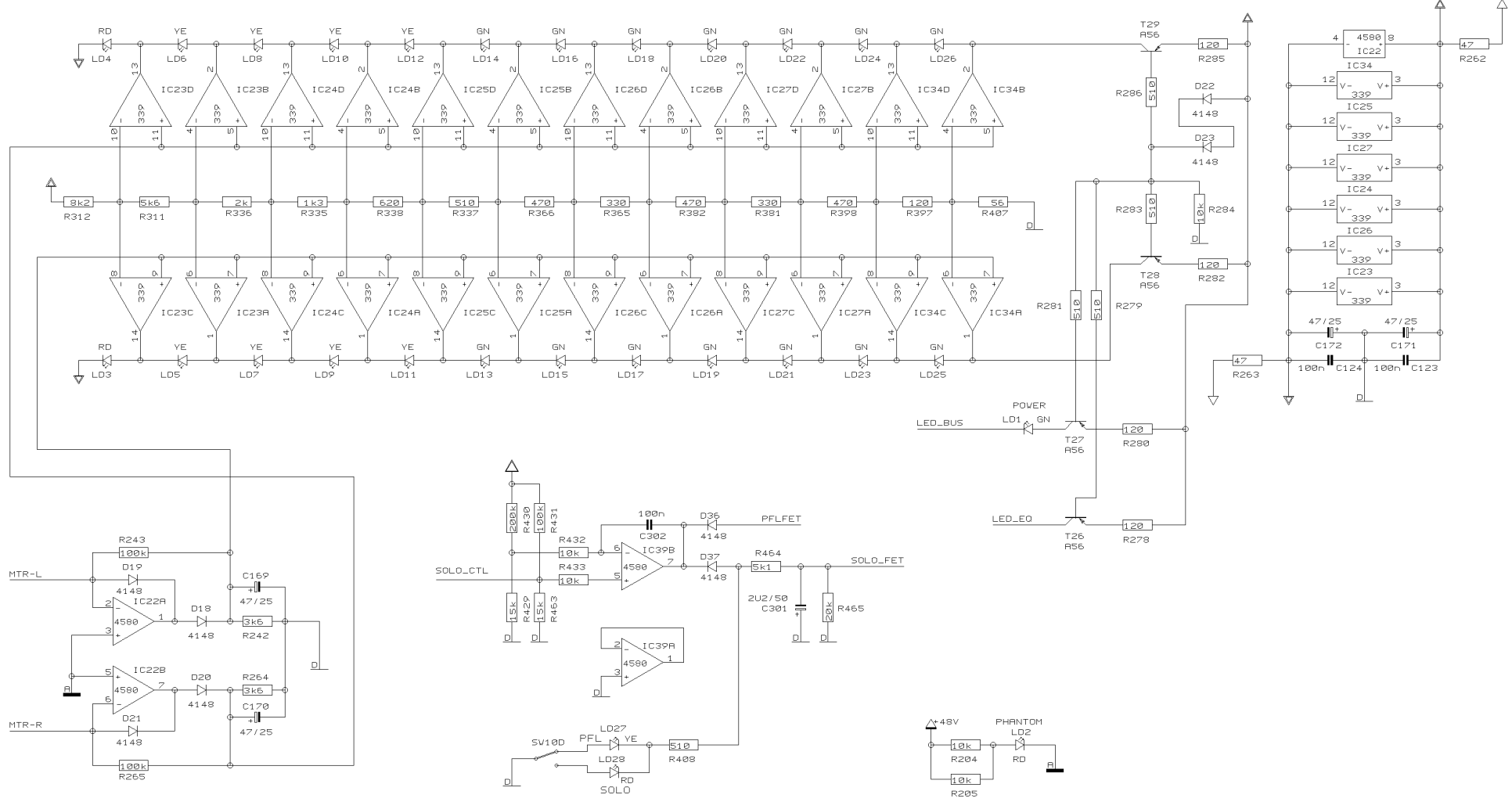
PROJECT
MX1804
EURORACK MX1804X
SOLO/PFL/HEADPHONE
SHEET 14 OF 17 SHEETS TOTAL



REVISIONS	G	
DRAWN	CHECKED	DATE 05.02. 10:42



PROJECT
MX1804
EURORACK MX1804X
GRAPHIK EQ
SHEET 15 OF 17 SHEETS TOTAL



REVISIONS

G

DRAWN

CHECKED

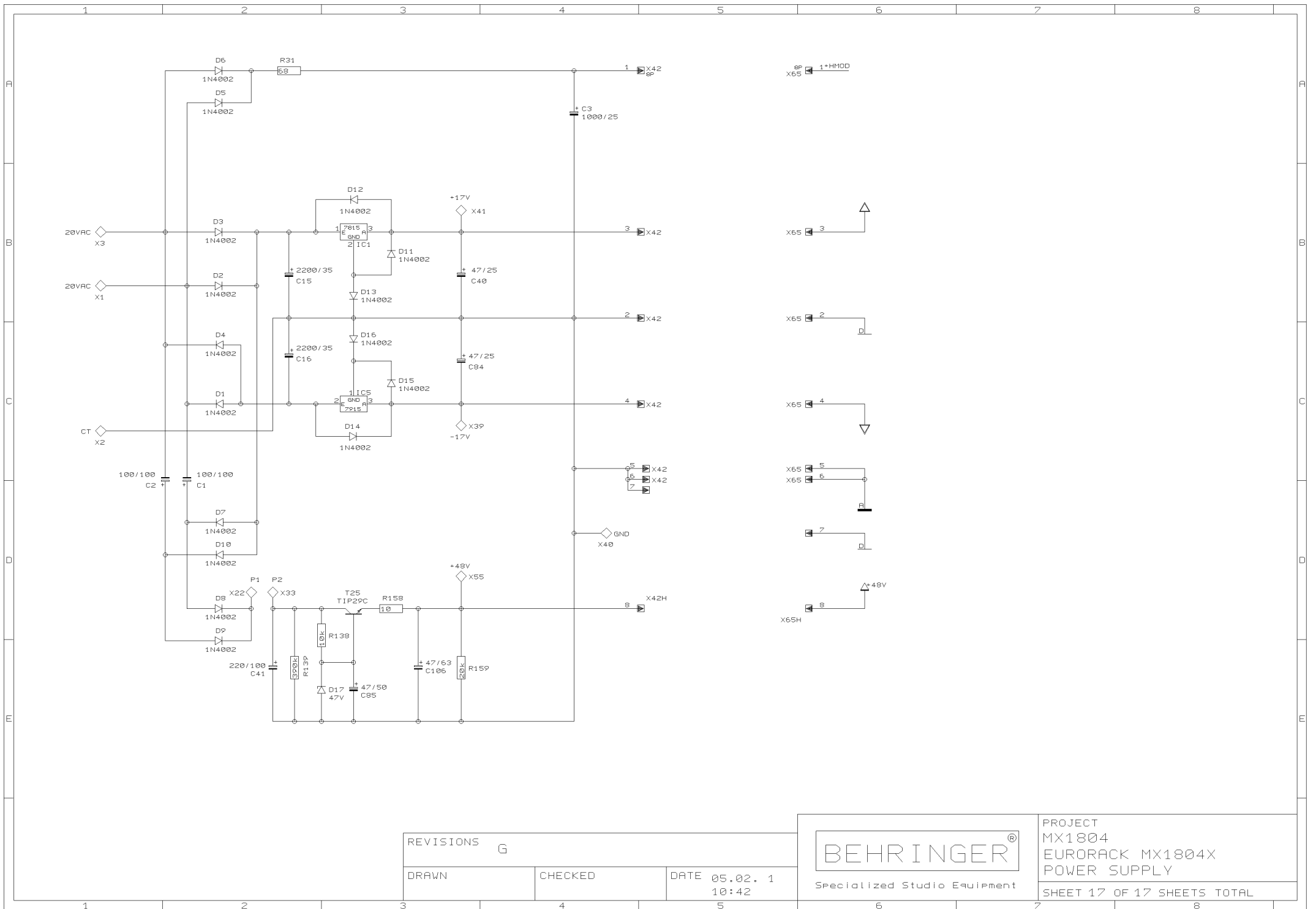
DATE 05.02. 1
10:42

BEHRINGER®

Specialized Studio Equipment

PROJECT
MX1804
EURORACK MX1804X
LED BARS

SHEET 16 OF 17 SHEETS TOTAL



REVISIONS G

DRAWN

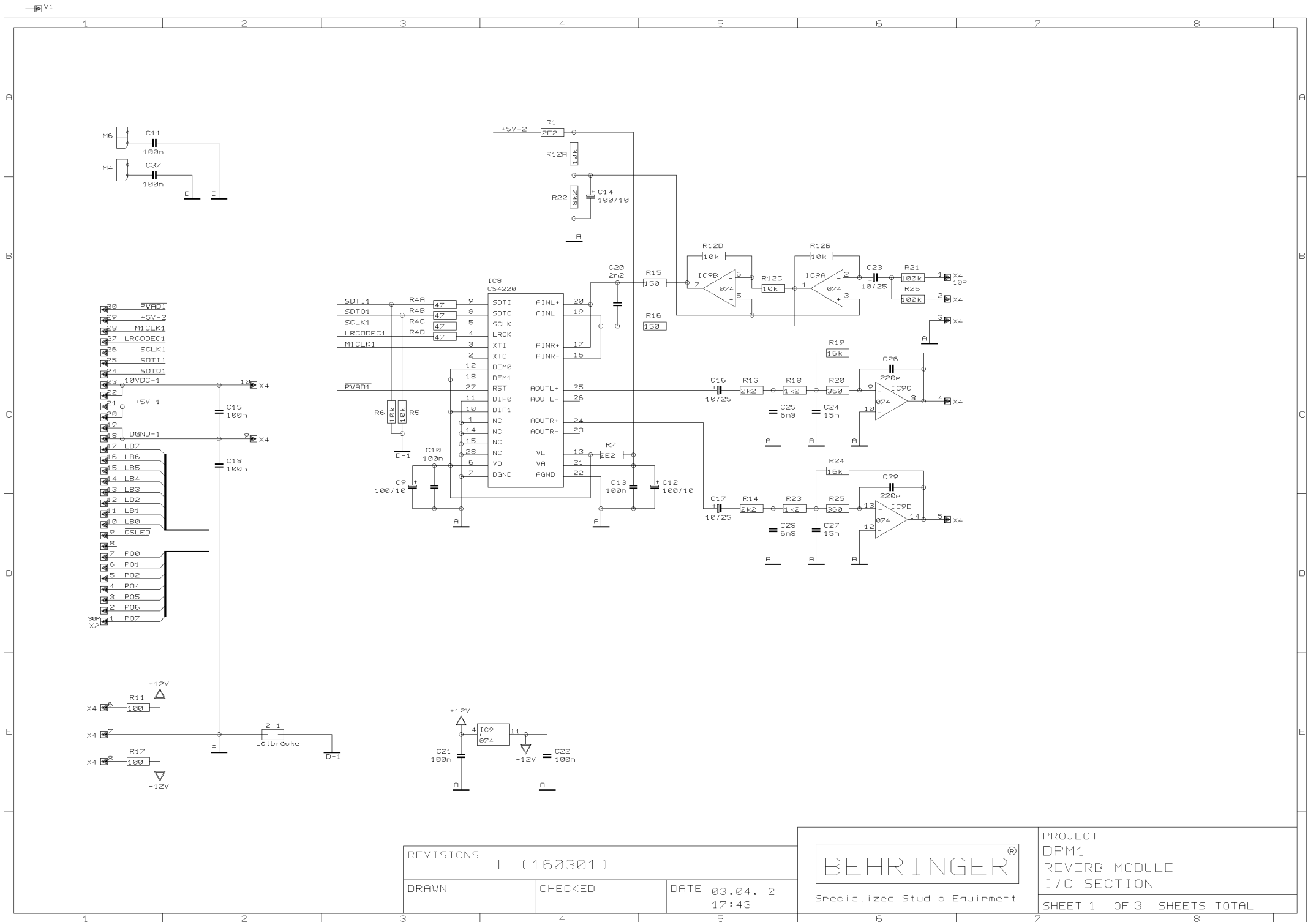
CHECKED

DATE 05.02. 1
10:42



PROJECT
MX1804
EURORACK MX1804X
POWER SUPPLY

SHEET 17 OF 17 SHEETS TOTAL



REVISIONS L (160301)

DRAWN

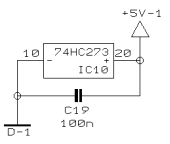
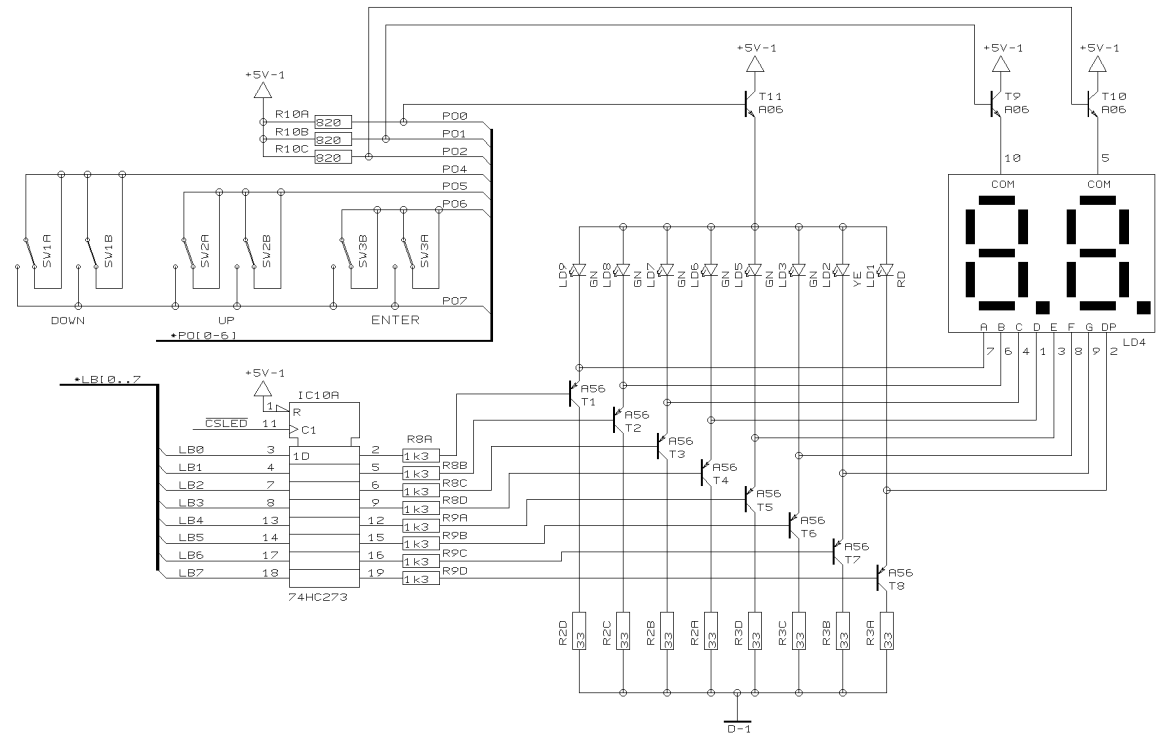
CHECKED

DATE 03.04. 2
17:43



PROJECT
DPM1
REVERB MODULE
I/O SECTION

SHEET 1 OF 3 SHEETS TOTAL



REVISIONS		
L		
DRAWN	CHECKED	DATE 03.04. 2 17:44



PROJECT	DPM1
REVERB MODULE	CONTROL BOARD
SHEET 3	OF 3 SHEETS TOTAL