

REVISIONS

DRAWN

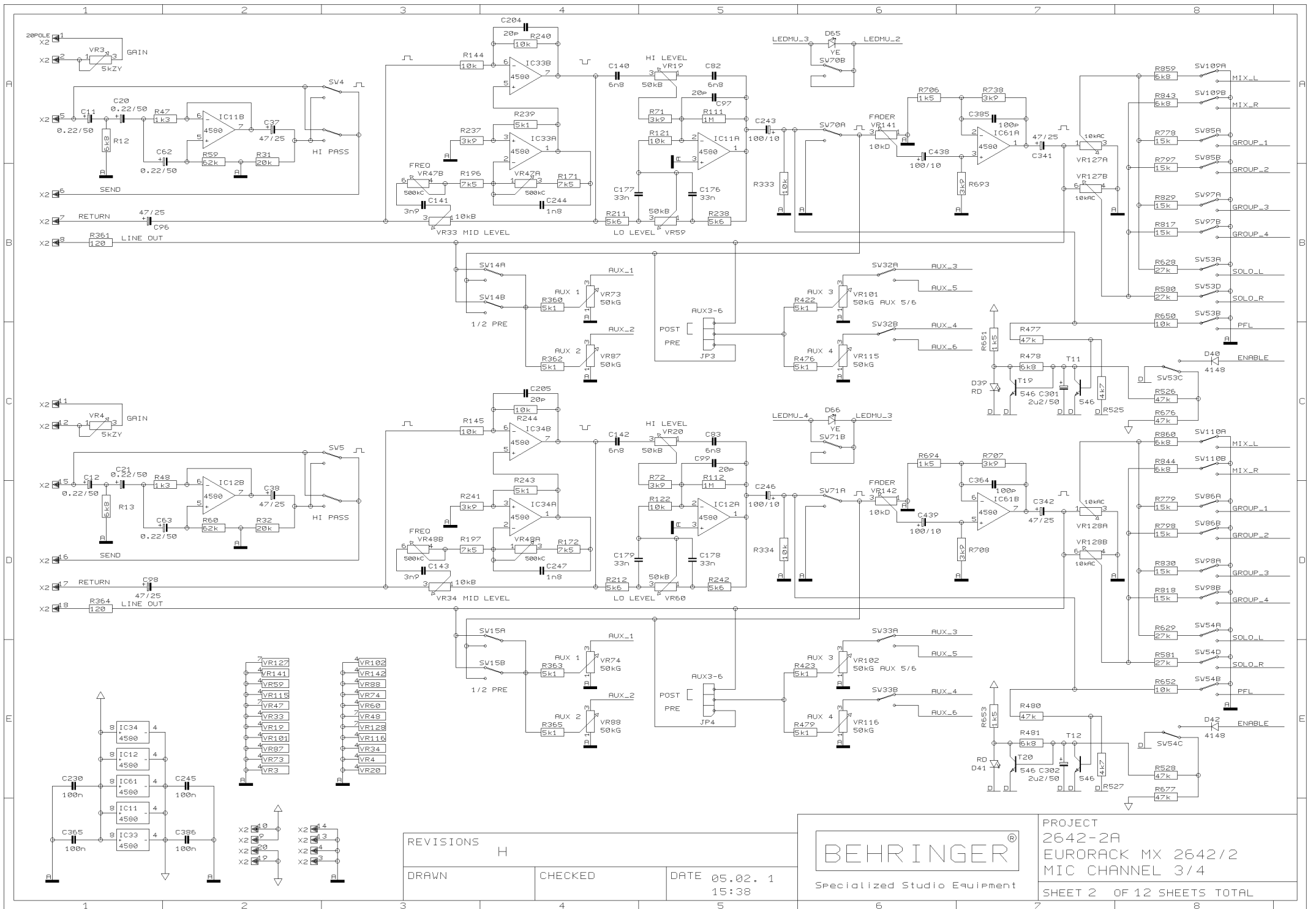
CHECKED

DATE 05.02. 1
15:38



Specialized Studio Equipment

PROJECT
2642-2A
EURORACK MX 2642/2
MIC CHANNEL 1/2
SHEET 1 OF 12 SHEETS TOTAL



REVISIONS

H

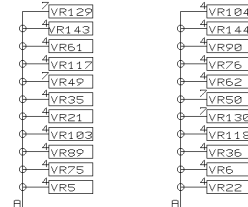
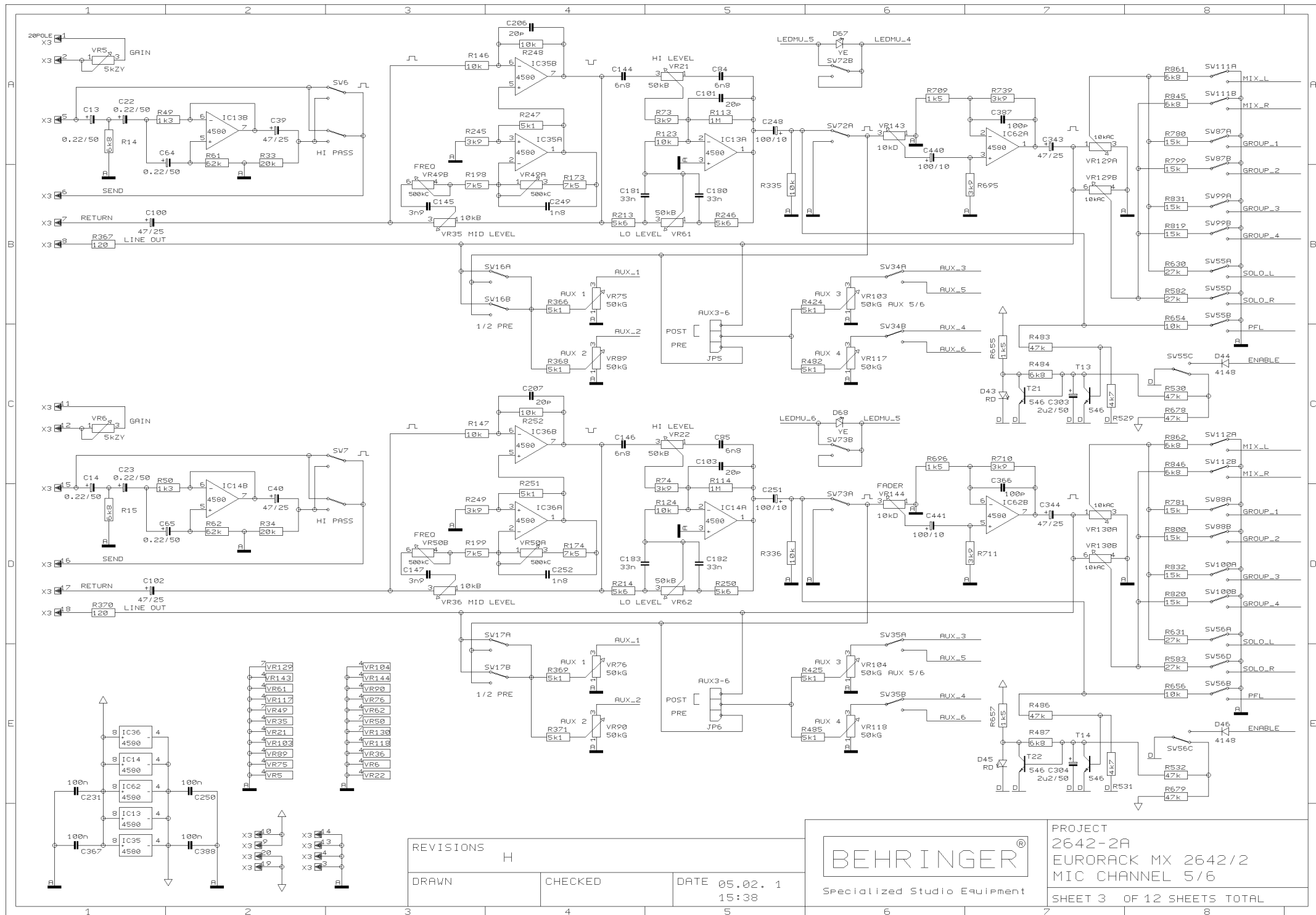
DRAWN

CHECKED

DATE 05.02. 1
15:38



PROJECT
2642-2A
EURORACK MX 2642/2
MIC CHANNEL 3/4
SHEET 2 OF 12 SHEETS TOTAL



REVISIONS

H

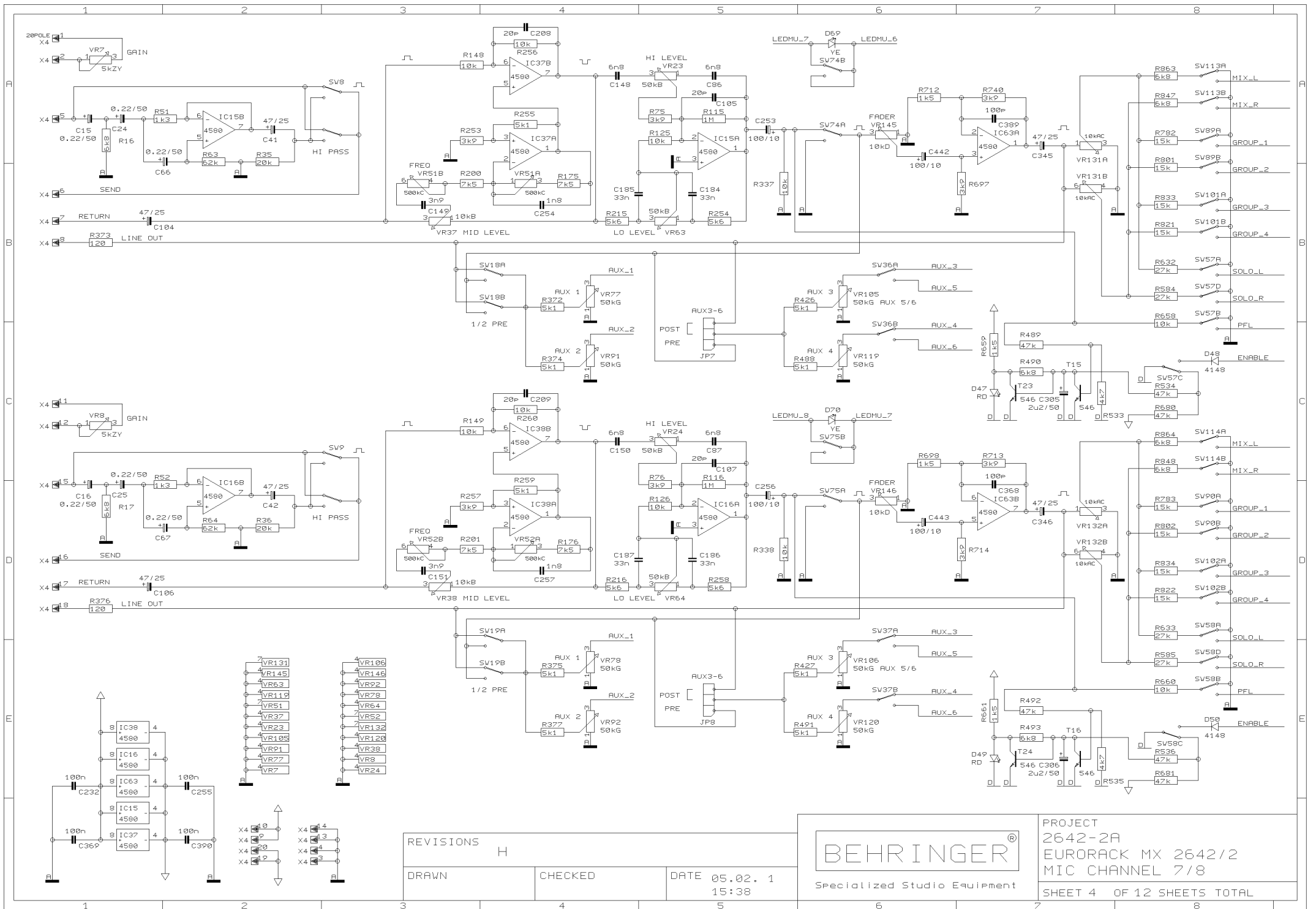
DRAWN

CHECKED

DATE 05.02. 1
15:38



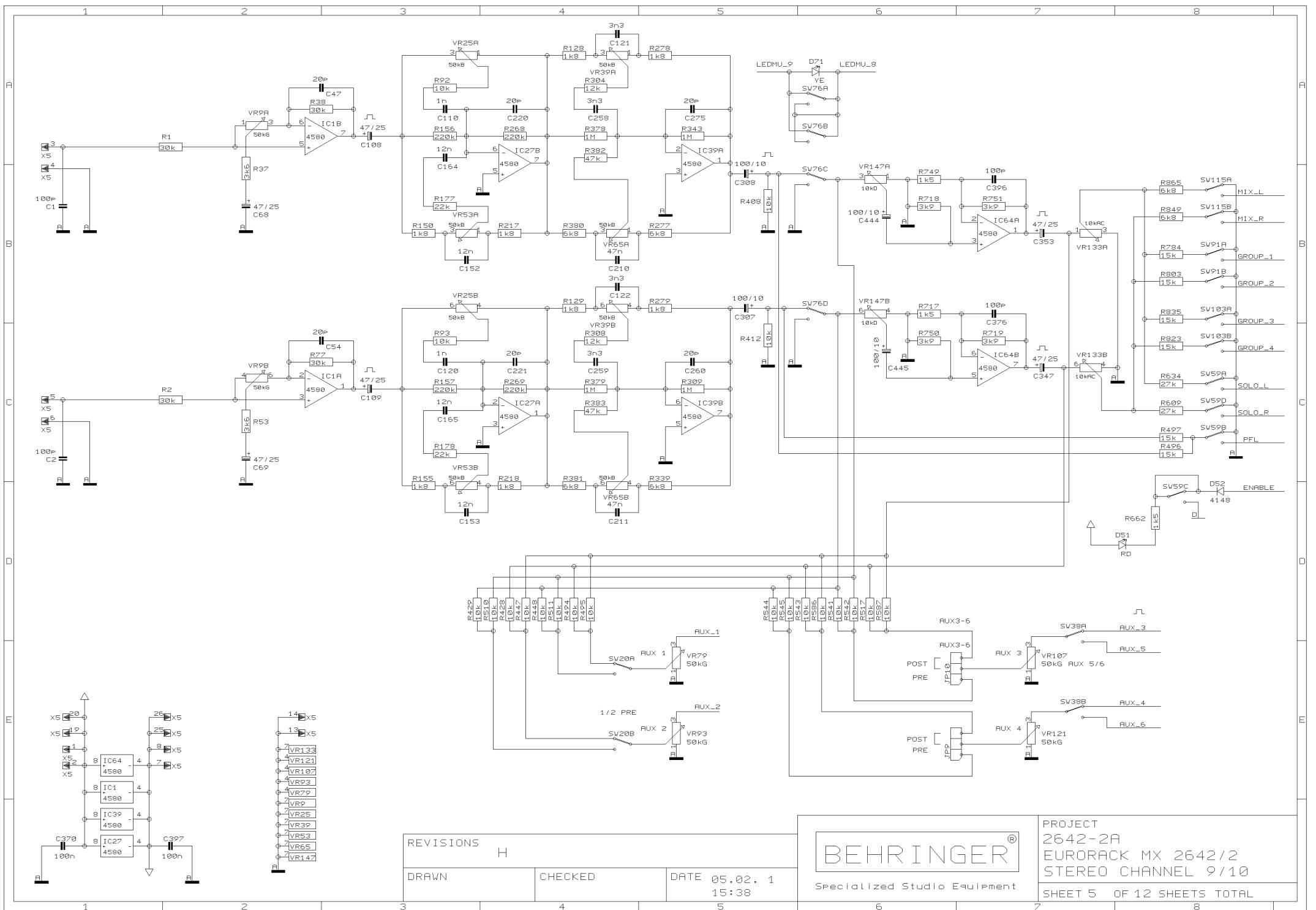
PROJECT
2642-2A
EURORACK MX 2642/2
MIC CHANNEL 5/6
SHEET 3 OF 12 SHEETS TOTAL



REVISIONS	
H	
DRAWN	CHECKED
DATE 05.02. 1 15:38	



PROJECT
2642-2A
EURORACK MX 2642/2
MIC CHANNEL 7/8
SHEET 4 OF 12 SHEETS TOTAL



REVISIONS

H

DRAWN

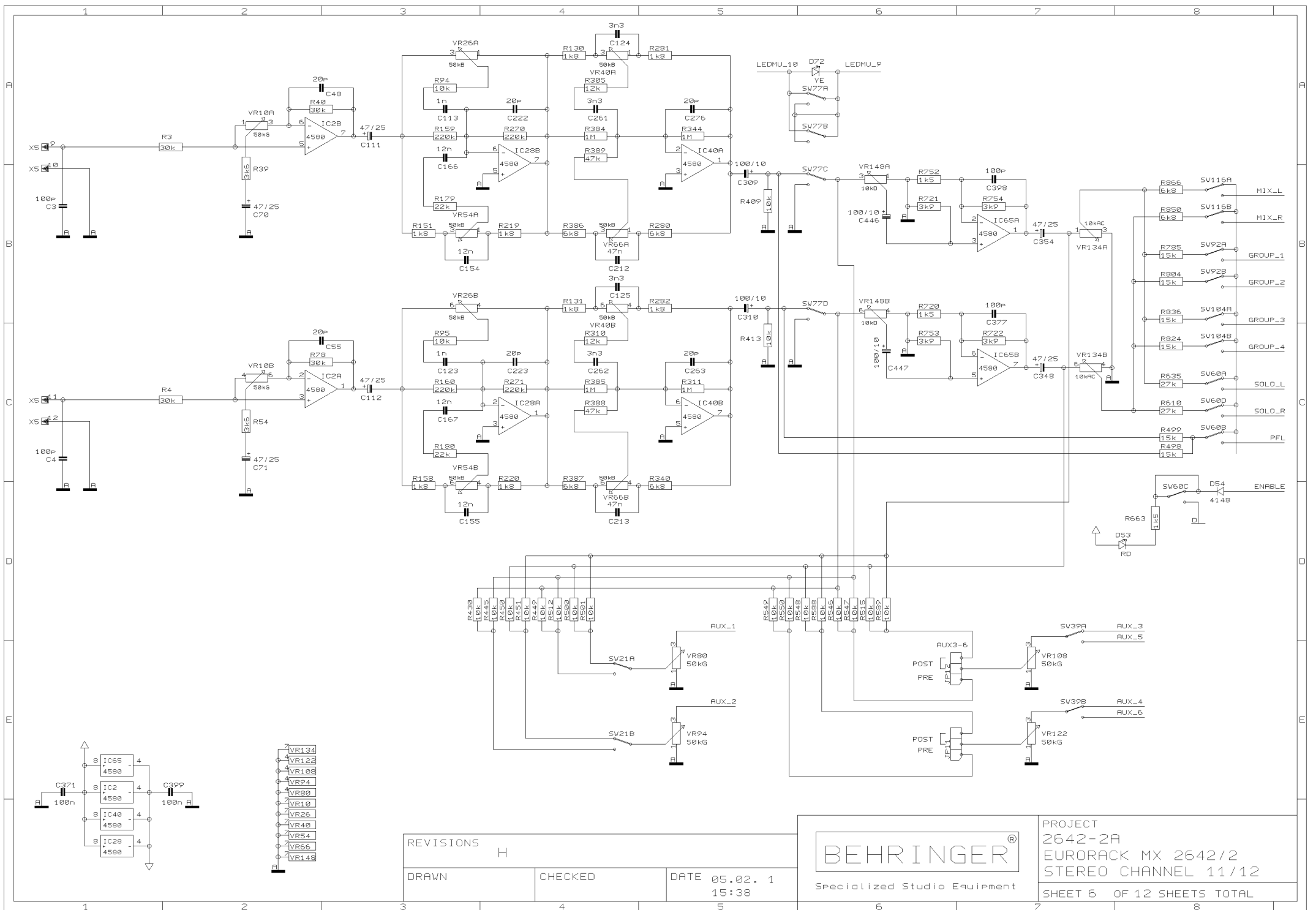
CHECKED

DATE 05.02. 1
15:38



Specialized Studio Equipment

PROJECT
2642-2A
EURORACK MX 2642/2
STEREO CHANNEL 9/10
SHEET 5 OF 12 SHEETS TOTAL



REVISIONS

H

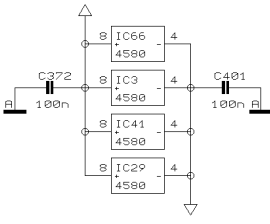
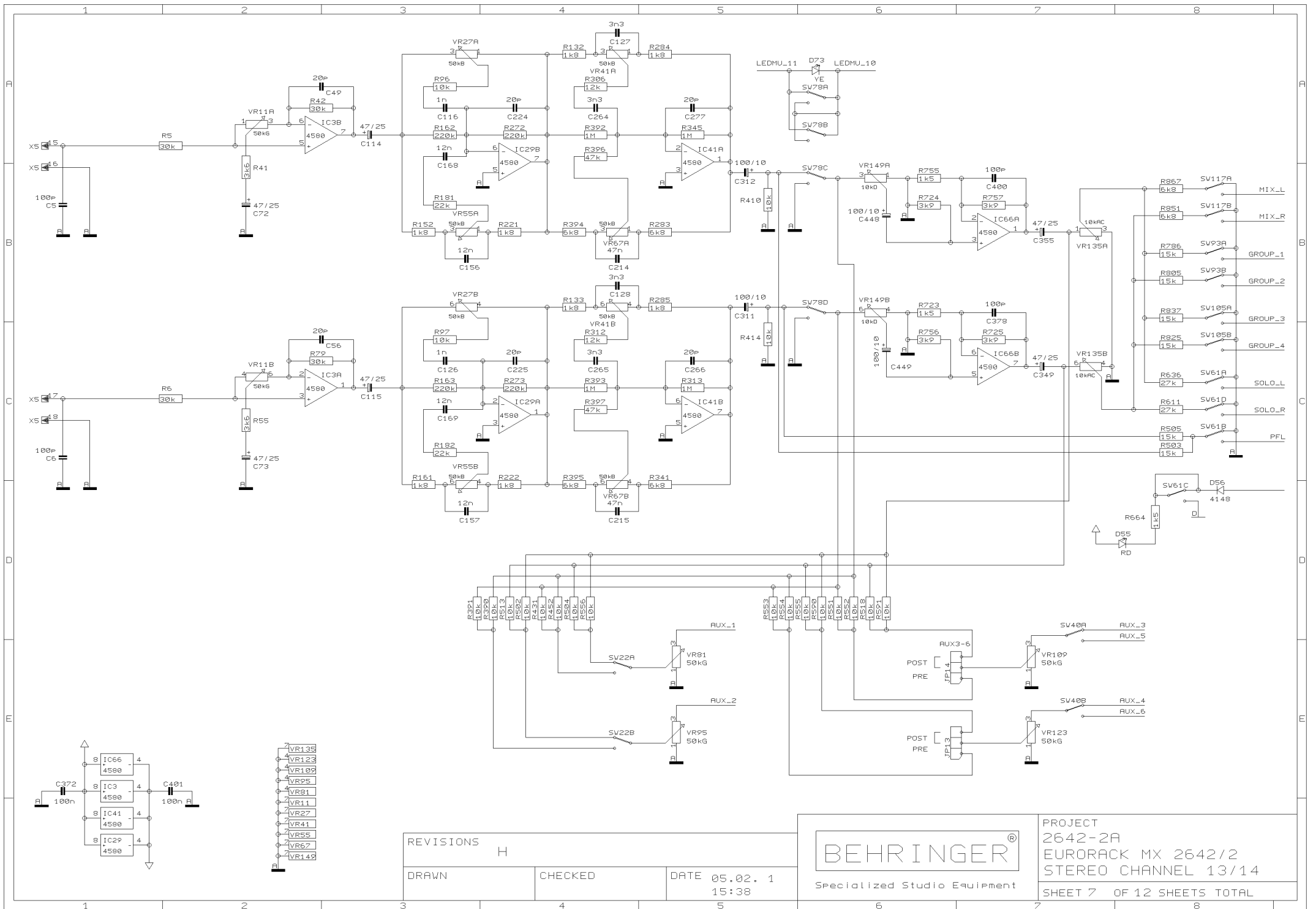
DRAWN

CHECKED

DATE 05.02. 1
15:38



PROJECT
2642-2A
EURORACK MX 2642/2
STEREO CHANNEL 11/12
SHEET 6 OF 12 SHEETS TOTAL

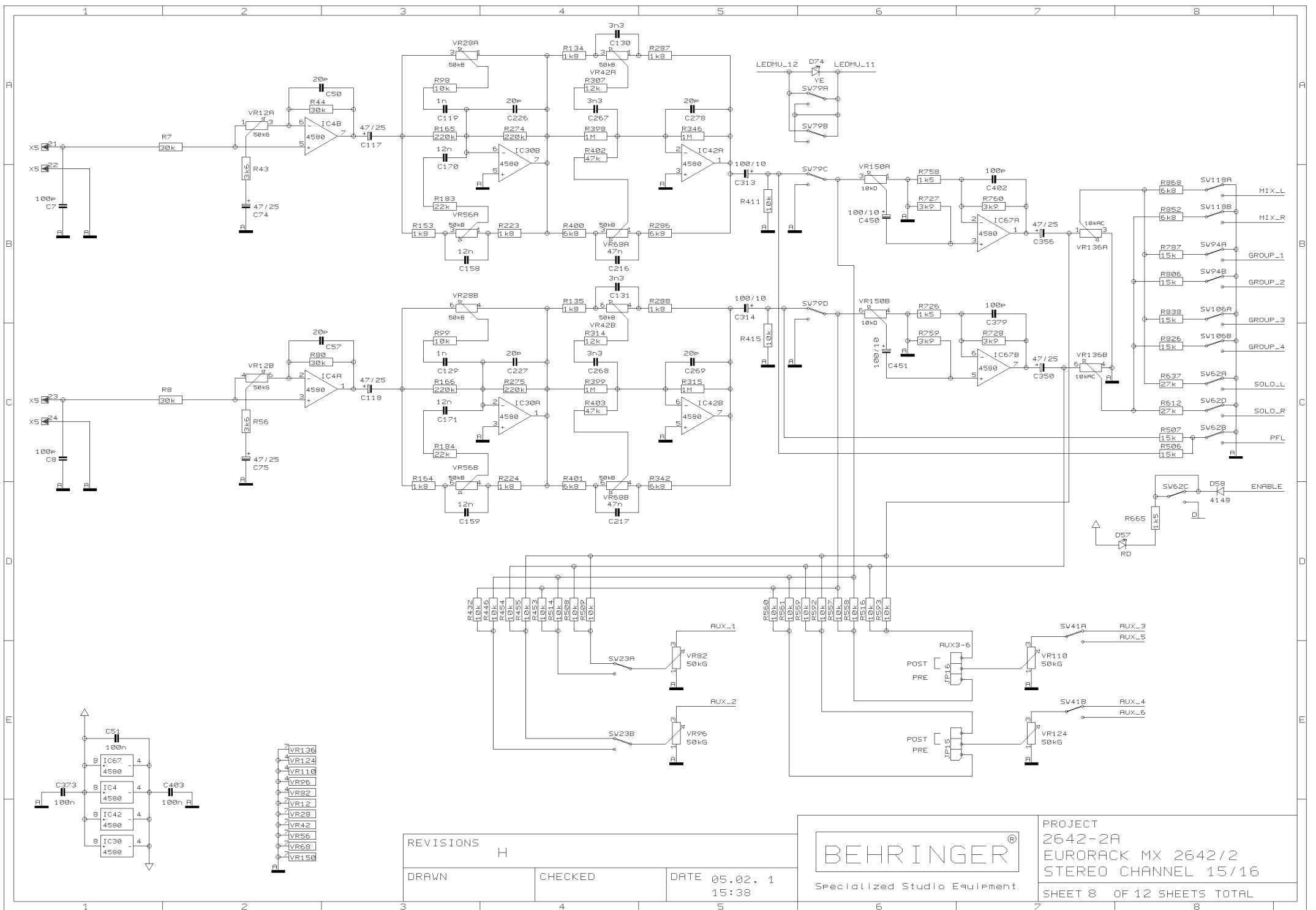


- VR135
- VR123
- VR109
- VR95
- VR91
- VR11
- VR27
- VR41
- VR55
- VR67
- VR149

REVISIONS		
H		
DRAWN	CHECKED	DATE 05.02. 1 15:38



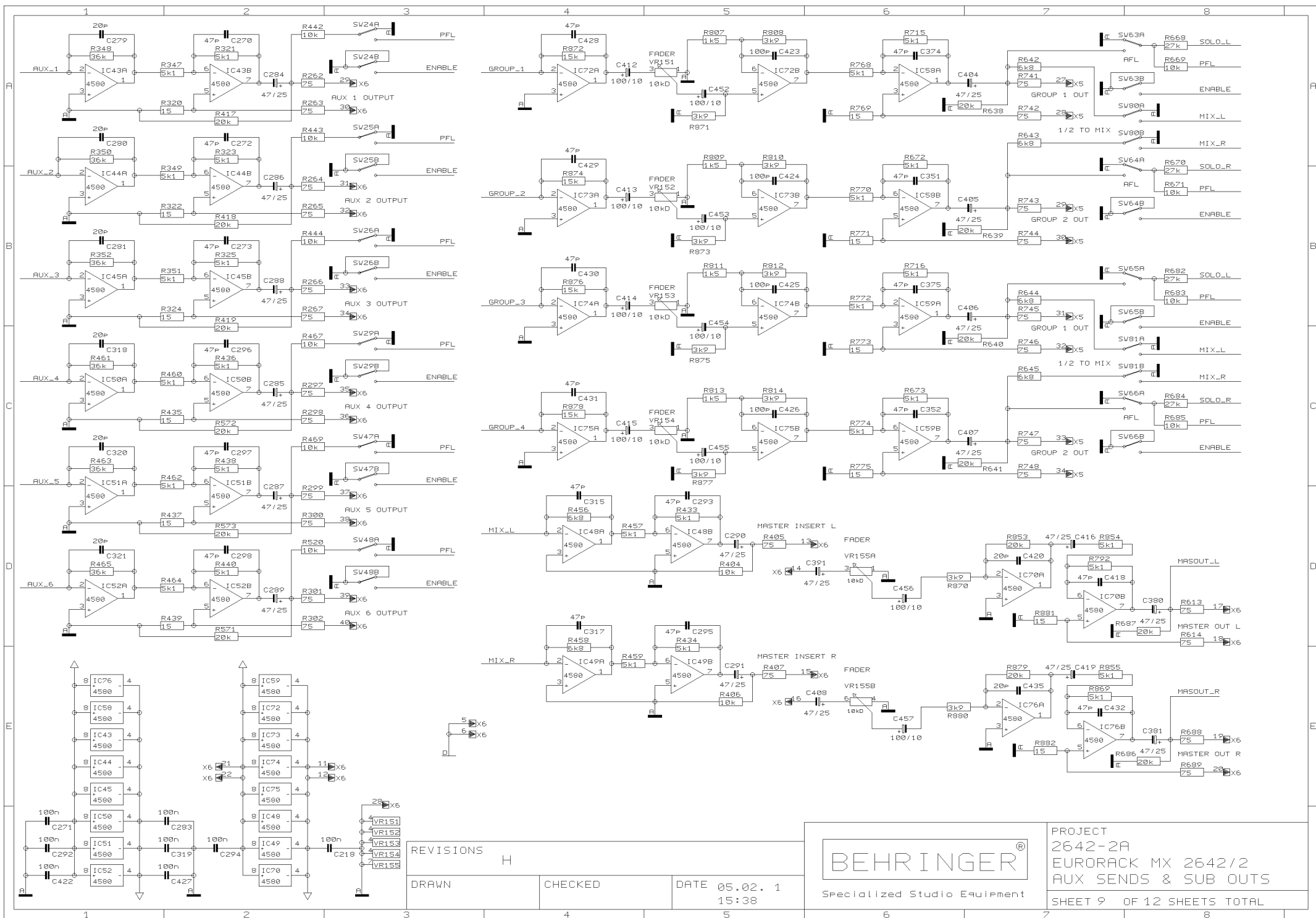
PROJECT
2642-2A
EURORACK MX 2642/2
STEREO CHANNEL 13/14
SHEET 7 OF 12 SHEETS TOTAL



REVISIONS		
H		
DRAWN	CHECKED	DATE 05.02. 1 15:38



PROJECT
2642-2A
EURORACK MX 2642/2
STEREO CHANNEL 15/16
SHEET 8 OF 12 SHEETS TOTAL



REVISIONS

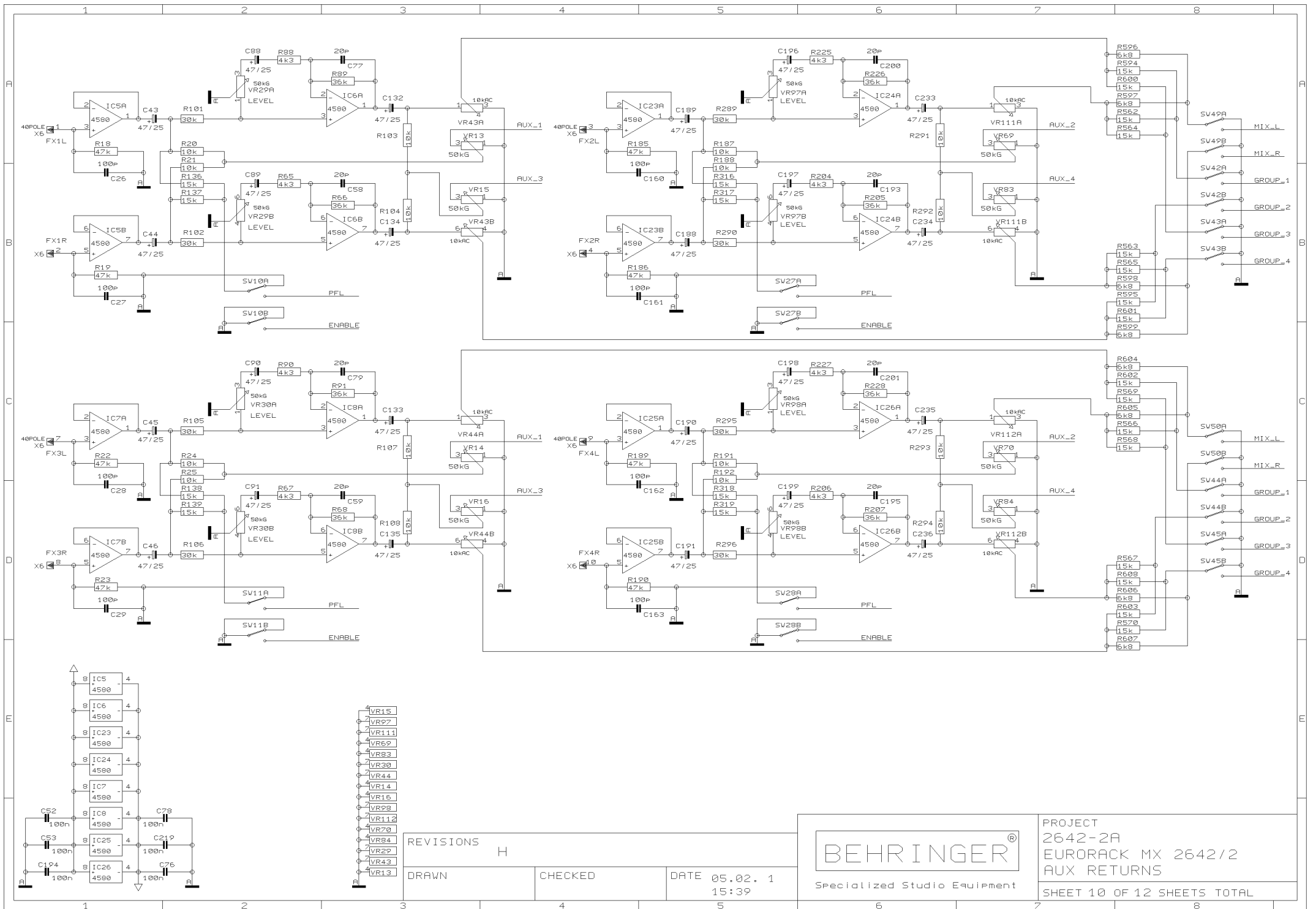
DRAWN

CHECKED

DATE 05.02. 1
15:38



PROJECT
2642-2A
EURORACK MX 2642/2
AUX SENDS & SUB OUTS
SHEET 9 OF 12 SHEETS TOTAL



REVISIONS H

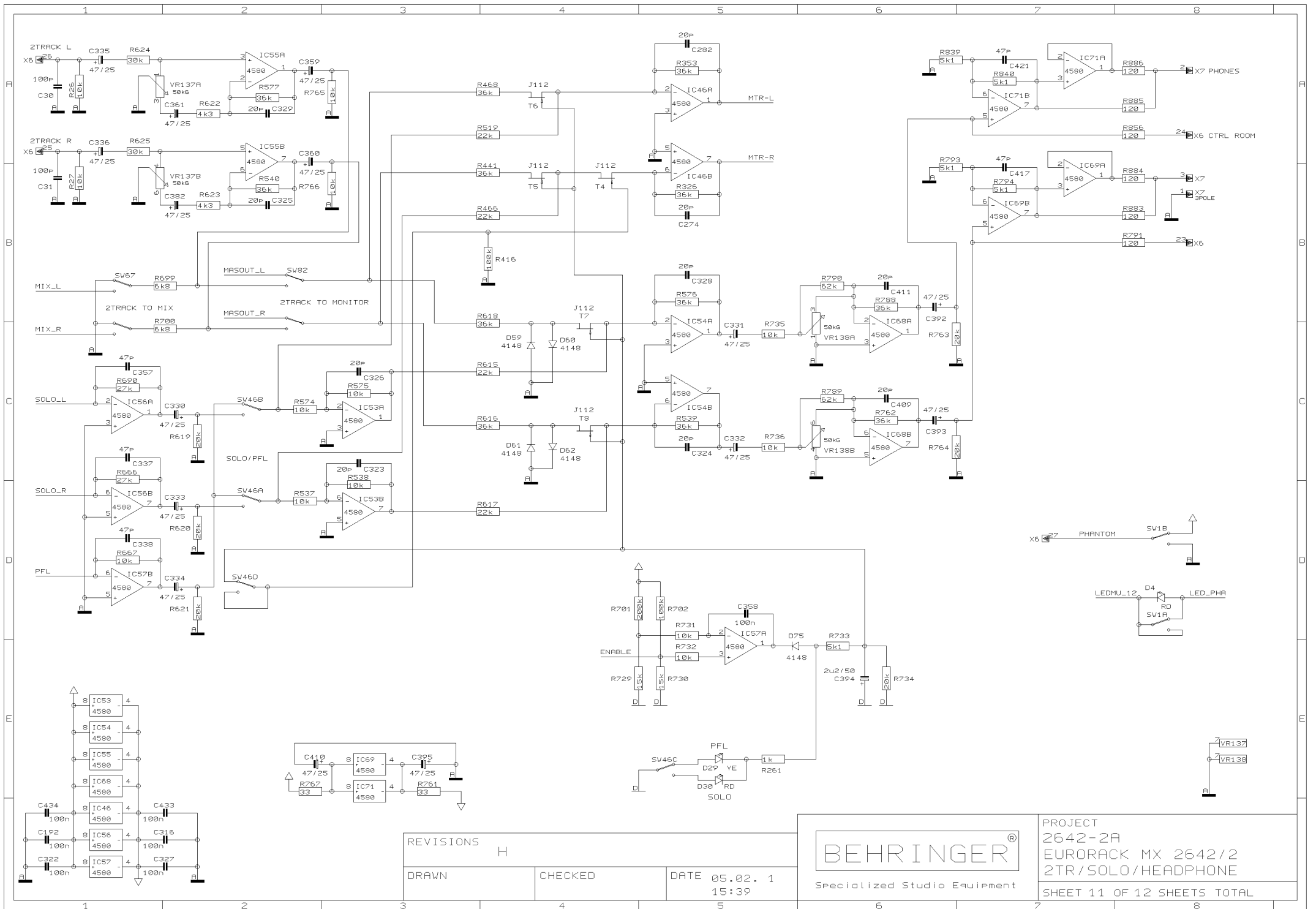
DRAWN

CHECKED

DATE 05.02. 1
15:39



PROJECT
2642-2A
EURORACK MX 2642/2
AUX RETURNS
SHEET 10 OF 12 SHEETS TOTAL



REVISIONS H

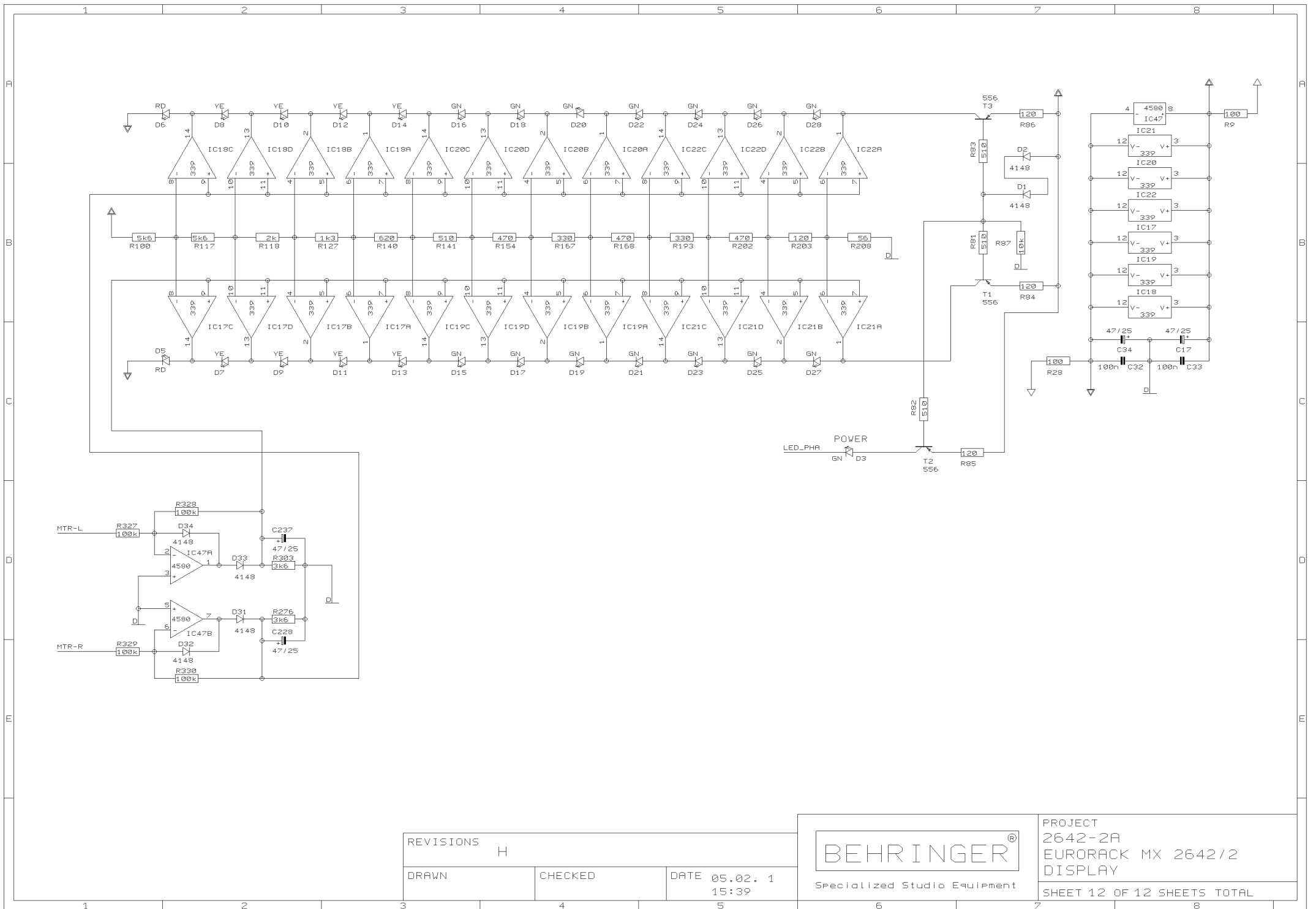
DRAWN

CHECKED

DATE 05.02. 1
15:39



PROJECT
2642-2A
EURORACK MX 2642/2
2TR/SOLO/HEADPHONE
SHEET 11 OF 12 SHEETS TOTAL



REVISIONS

H

DRAWN

CHECKED

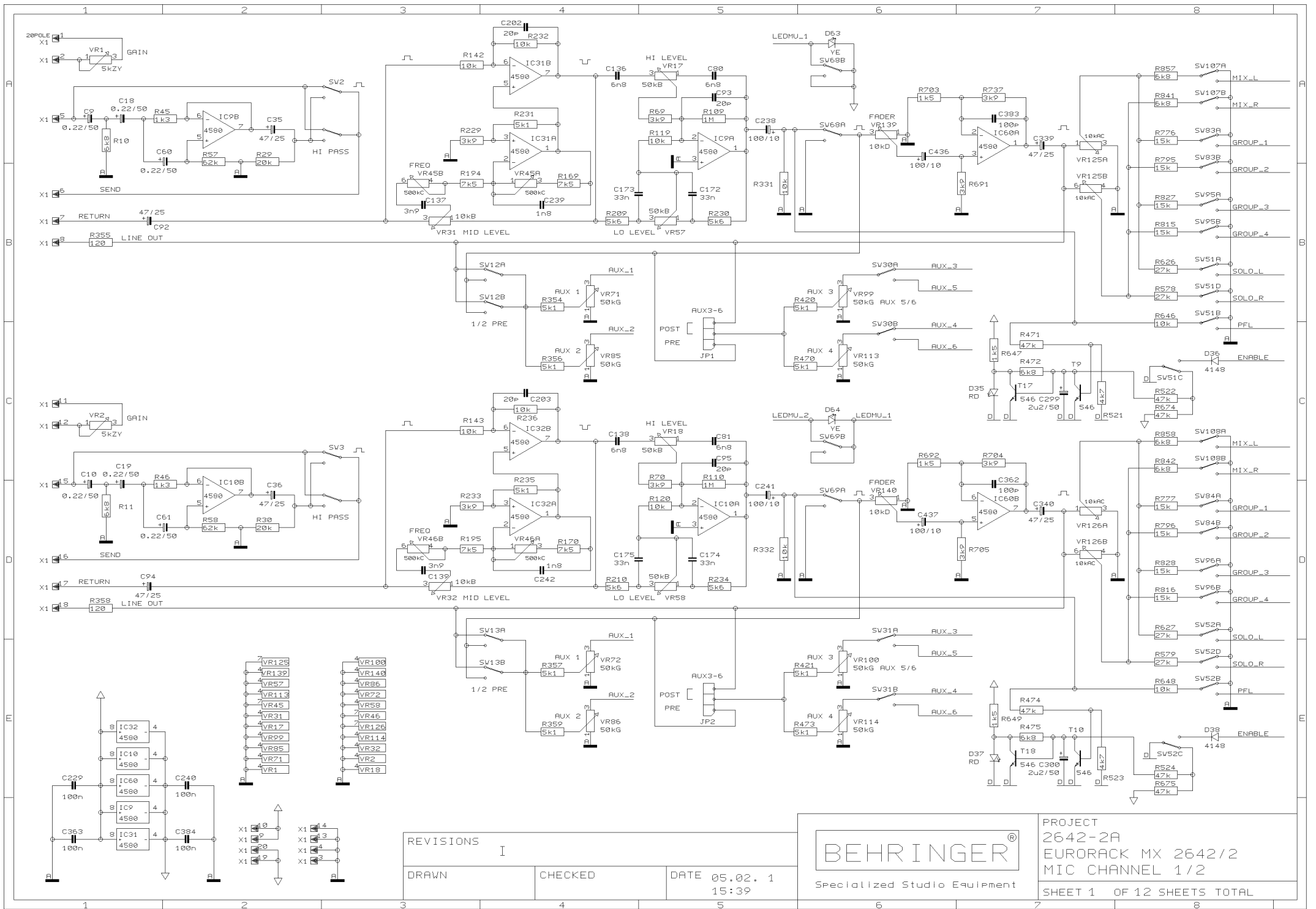
DATE 05.02. 1
15:39



Specialized Studio Equipment

PROJECT
2642-2A
EURORACK MX 2642/2
DISPLAY

SHEET 12 OF 12 SHEETS TOTAL



REVISIONS

I

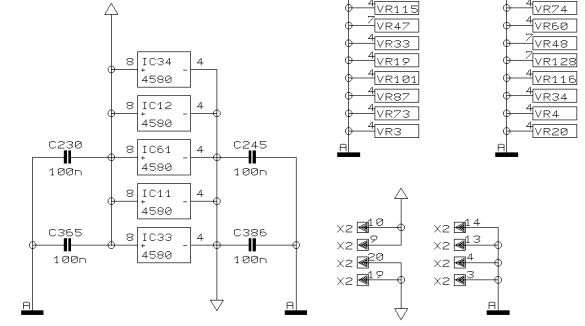
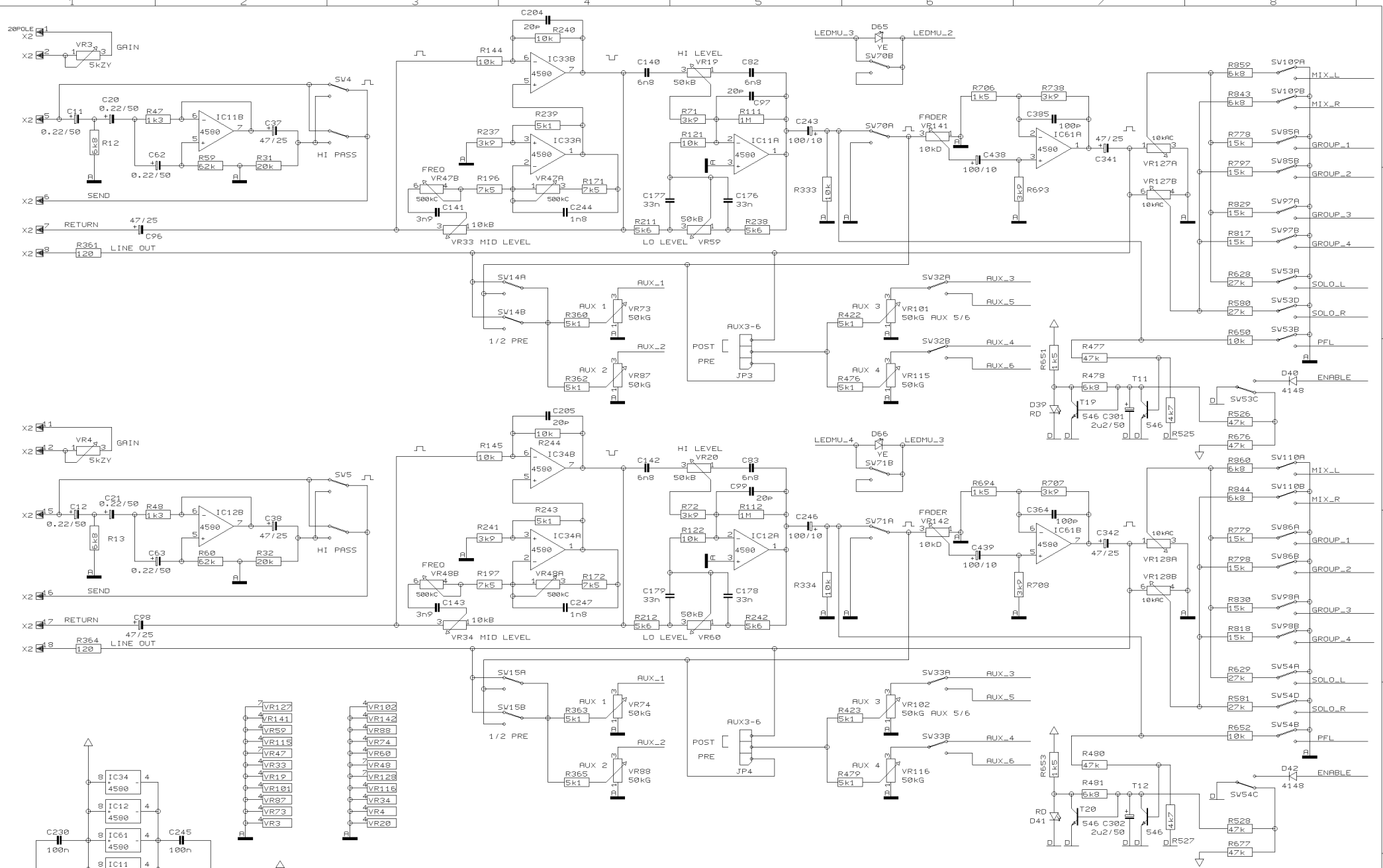
DRAWN

CHECKED

DATE 05.02. 1
15:39



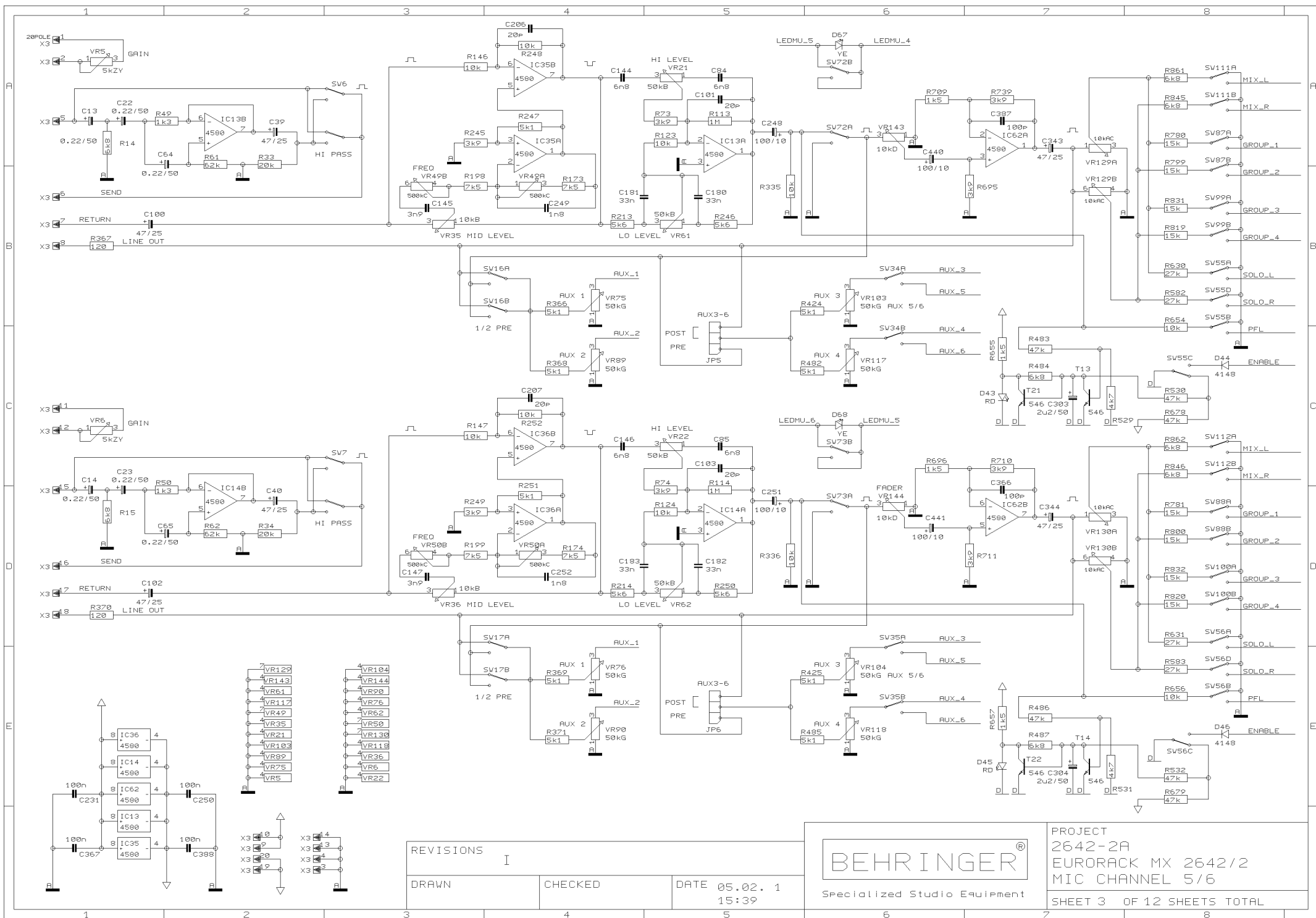
PROJECT
2642-2A
EURORACK MX 2642/2
MIC CHANNEL 1/2
SHEET 1 OF 12 SHEETS TOTAL



REVISIONS	
I	
DRAWN	CHECKED
DATE 05.02. 1 15:39	



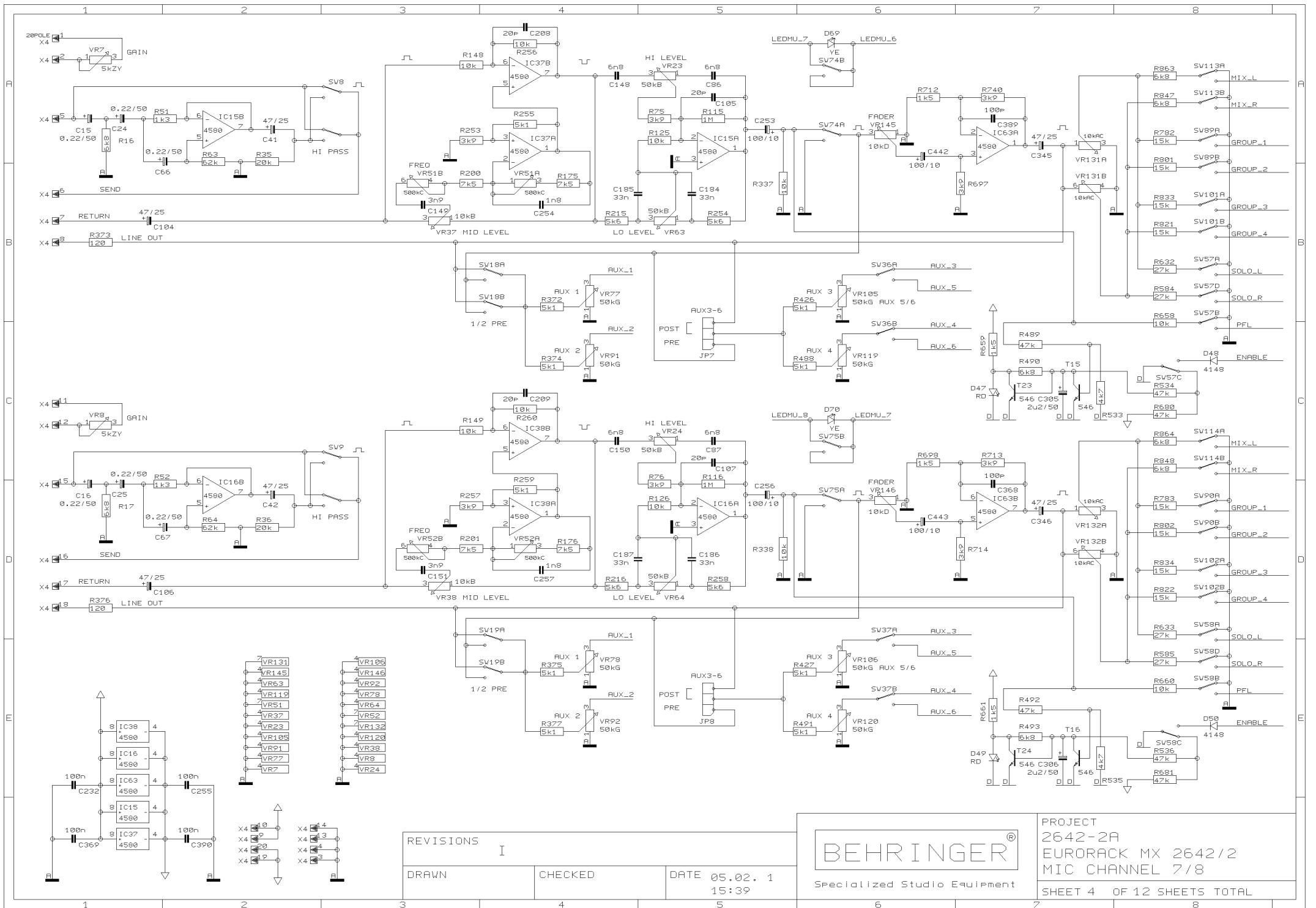
PROJECT
2642-2A
EURORACK MX 2642/2
MIC CHANNEL 3/4
SHEET 2 OF 12 SHEETS TOTAL



REVISIONS		
I		
DRAWN	CHECKED	DATE 05.02. 1 15:39



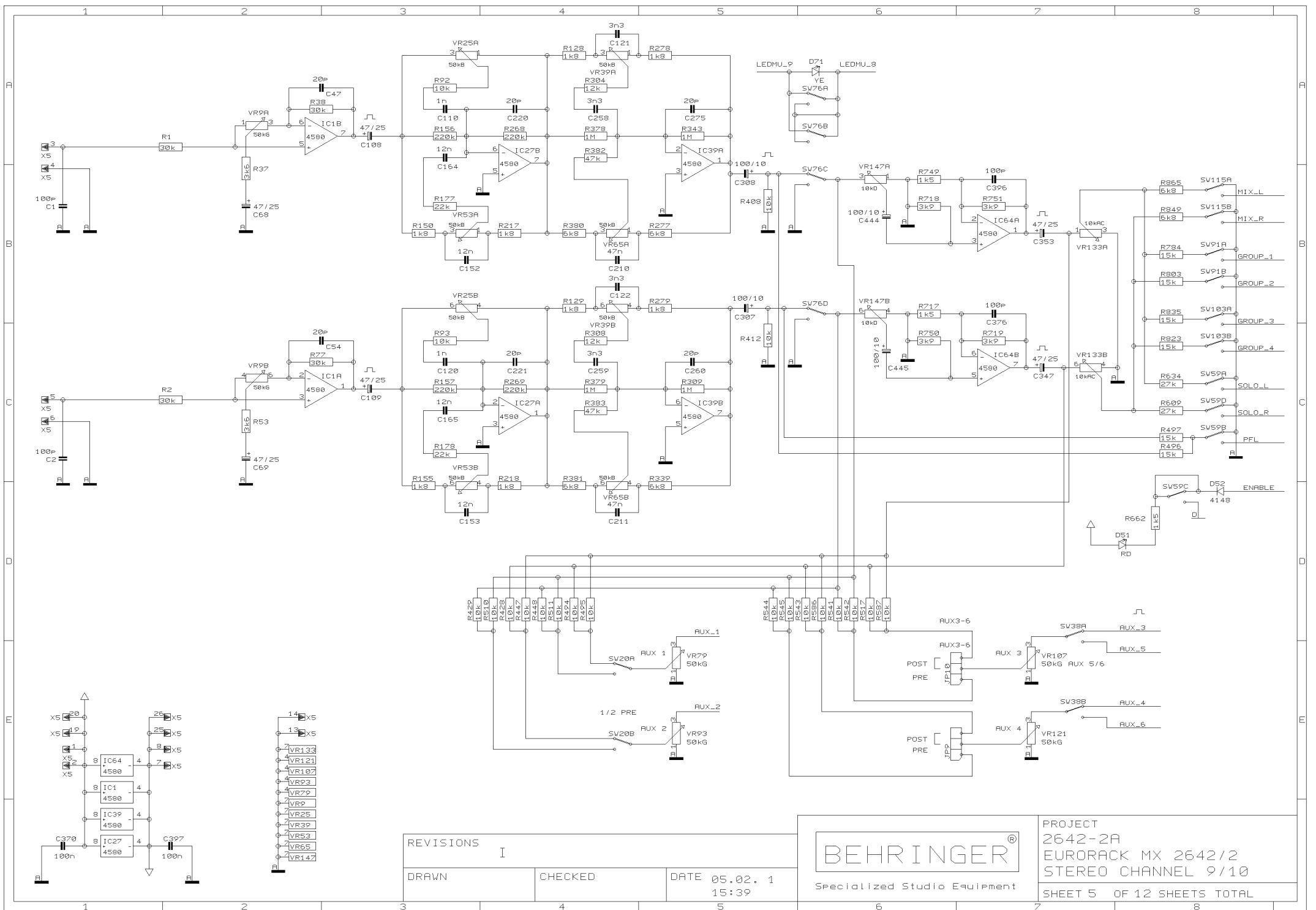
PROJECT
 2642-2A
 EURORACK MX 2642/2
 MIC CHANNEL 5/6
 SHEET 3 OF 12 SHEETS TOTAL



REVISIONS		
I		
DRAWN	CHECKED	DATE 05.02. 1 15:39



PROJECT
2642-2A
EURORACK MX 2642/2
MIC CHANNEL 7/8
SHEET 4 OF 12 SHEETS TOTAL



REVISIONS

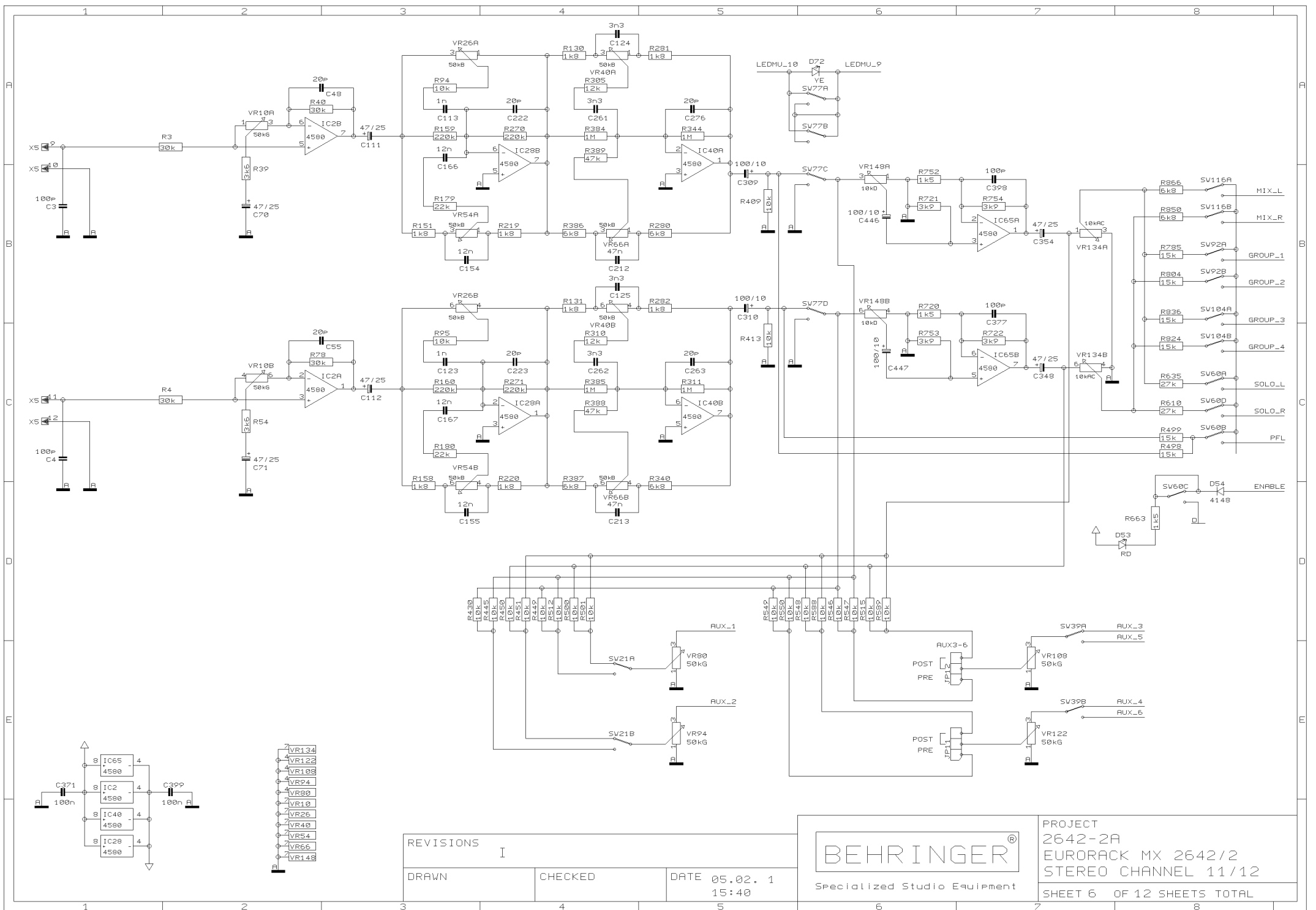
DRAWN

CHECKED

DATE 05.02. 1
15:39



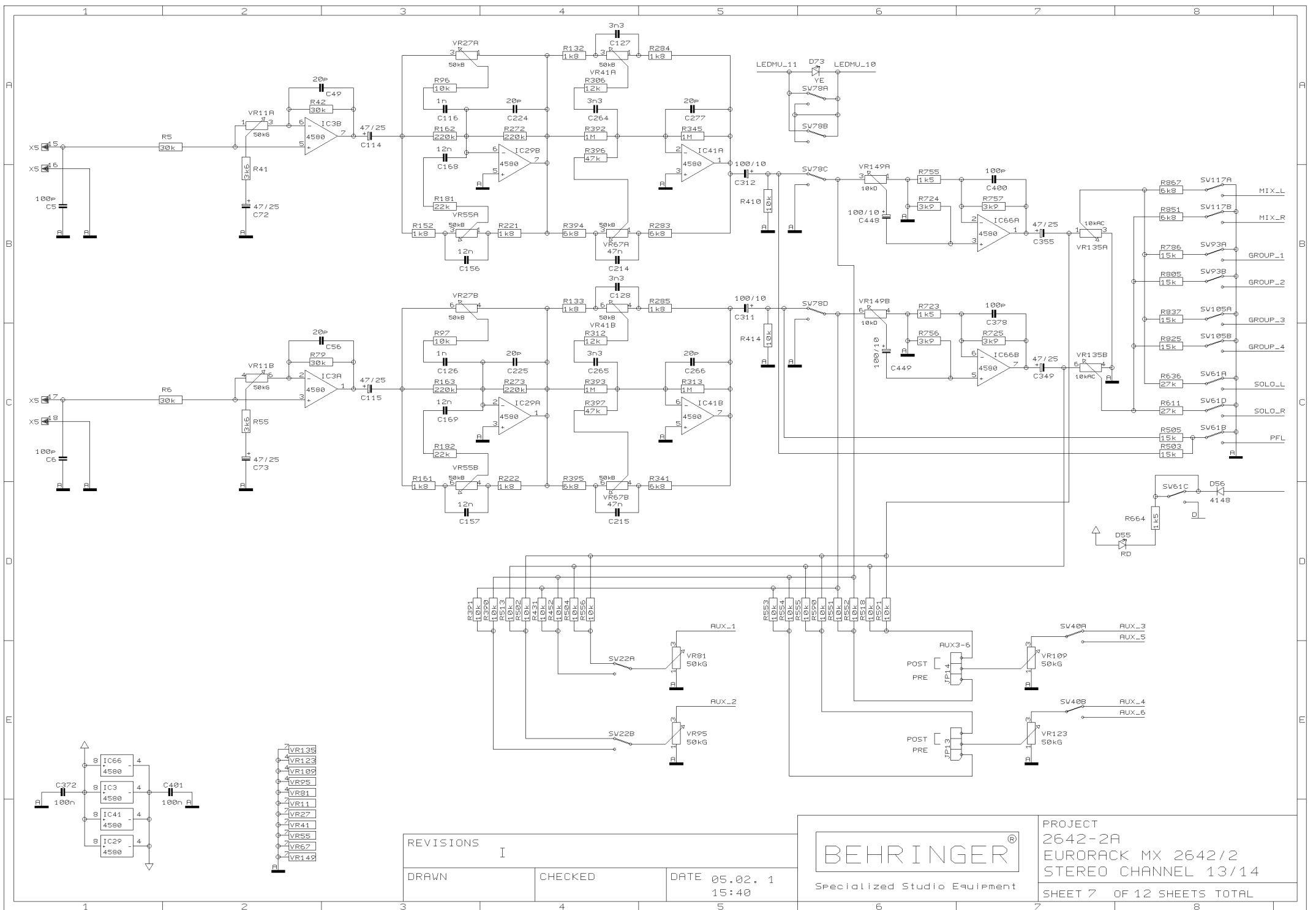
PROJECT
2642-2A
EURORACK MX 2642/2
STEREO CHANNEL 9/10
SHEET 5 OF 12 SHEETS TOTAL



REVISIONS		
I		
DRAWN	CHECKED	DATE 05.02. 1 15:40



PROJECT
2642-2A
EURORACK MX 2642/2
STEREO CHANNEL 11/12
SHEET 6 OF 12 SHEETS TOTAL



REVISIONS

I

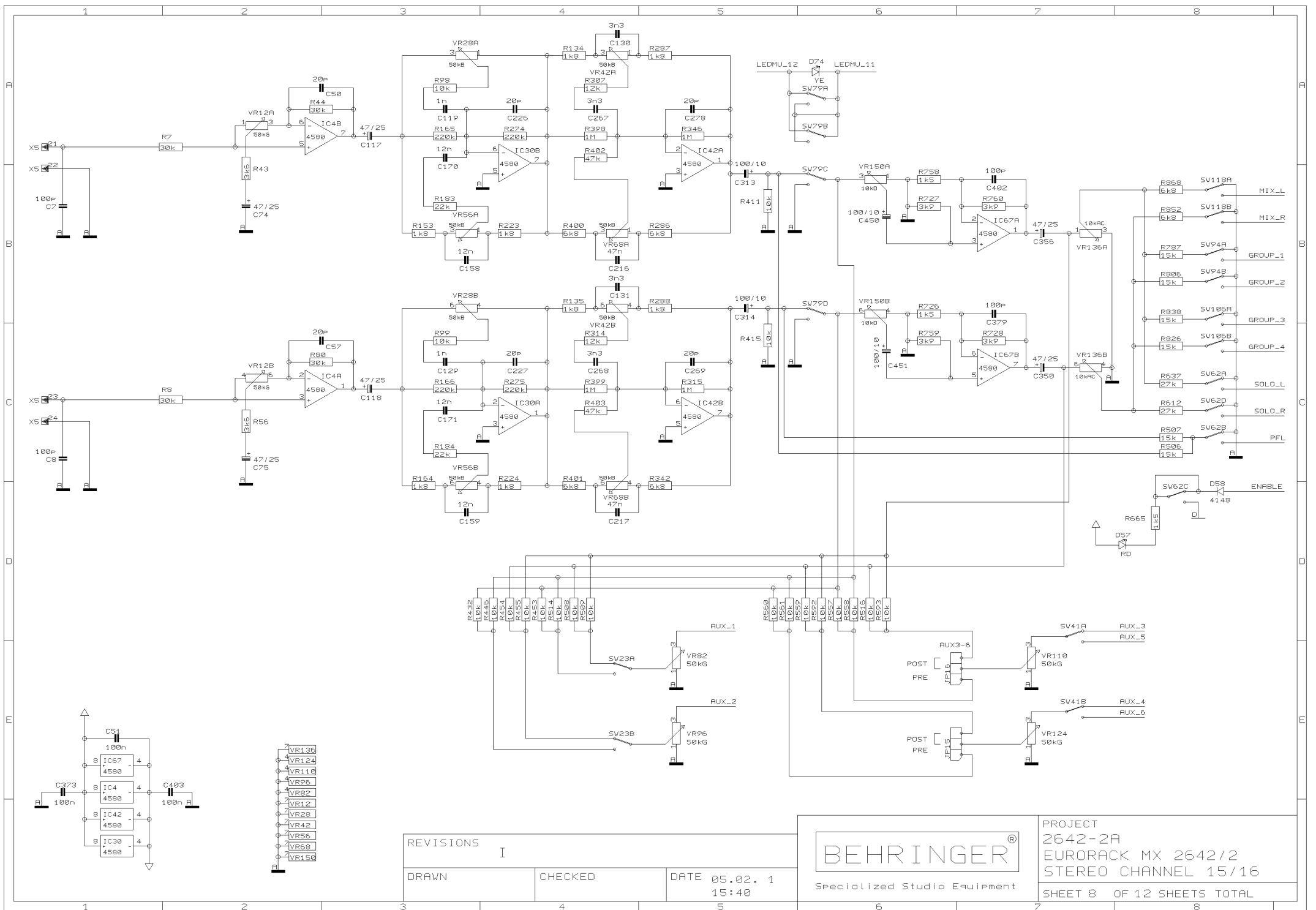
DRAWN

CHECKED

DATE 05.02. 1
15:40



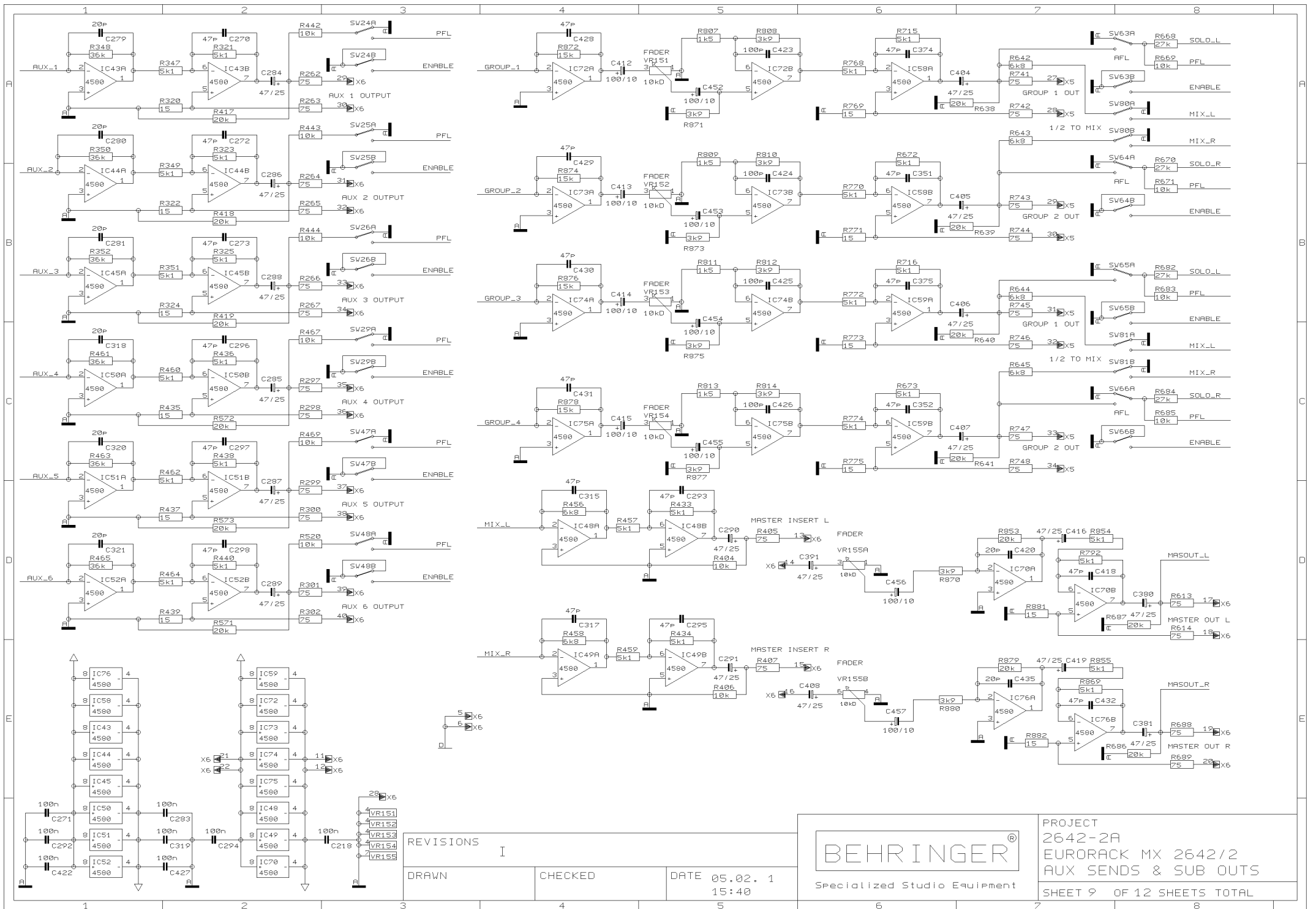
PROJECT
2642-2A
EURORACK MX 2642/2
STEREO CHANNEL 13/14
SHEET 7 OF 12 SHEETS TOTAL



REVISIONS		
I		
DRAWN	CHECKED	DATE 05.02. 1 15:40



PROJECT
2642-2A
EURORACK MX 2642/2
STEREO CHANNEL 15/16
SHEET 8 OF 12 SHEETS TOTAL



REVISIONS I

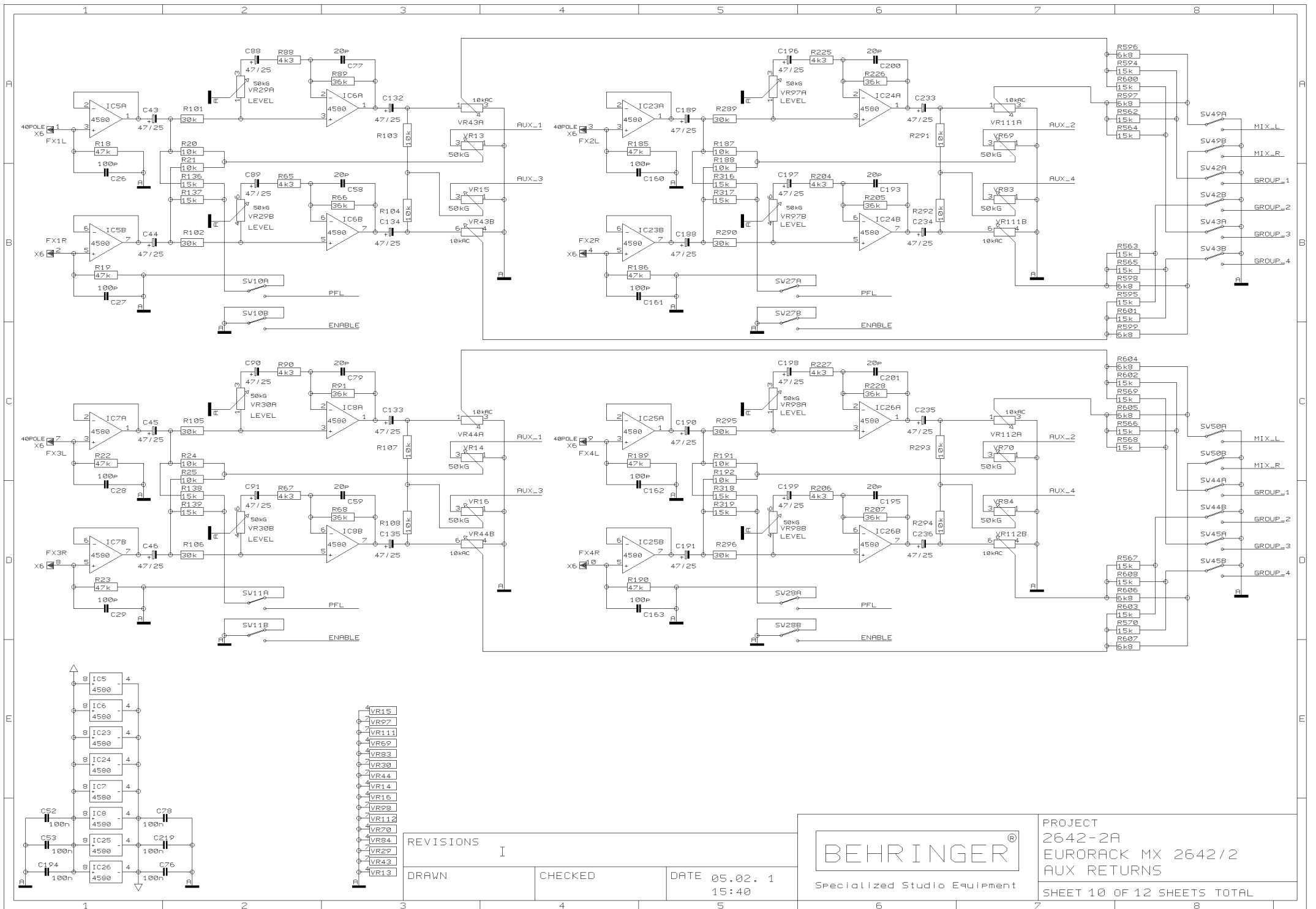
DRAWN

CHECKED

DATE 05.02. 1
15:40



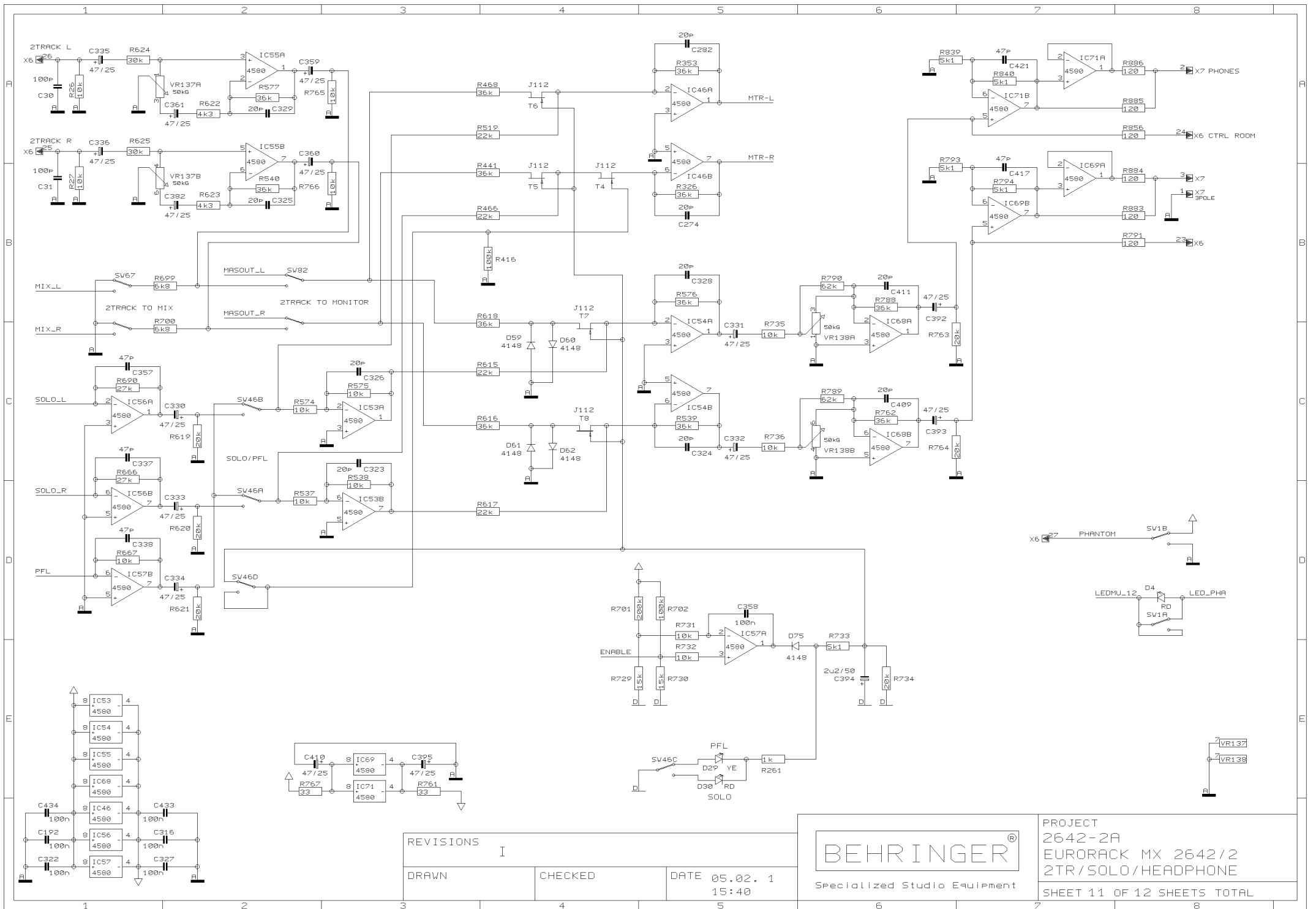
PROJECT
2642-2A
EURORACK MX 2642/2
AUX SENDS & SUB OUTS
SHEET 9 OF 12 SHEETS TOTAL



REVISIONS	I
DRAWN	CHECKED
DATE	05.02. 1 15:40



PROJECT
2642-2A
EURORACK MX 2642/2
AUX RETURNS
SHEET 10 OF 12 SHEETS TOTAL



REVISIONS
I

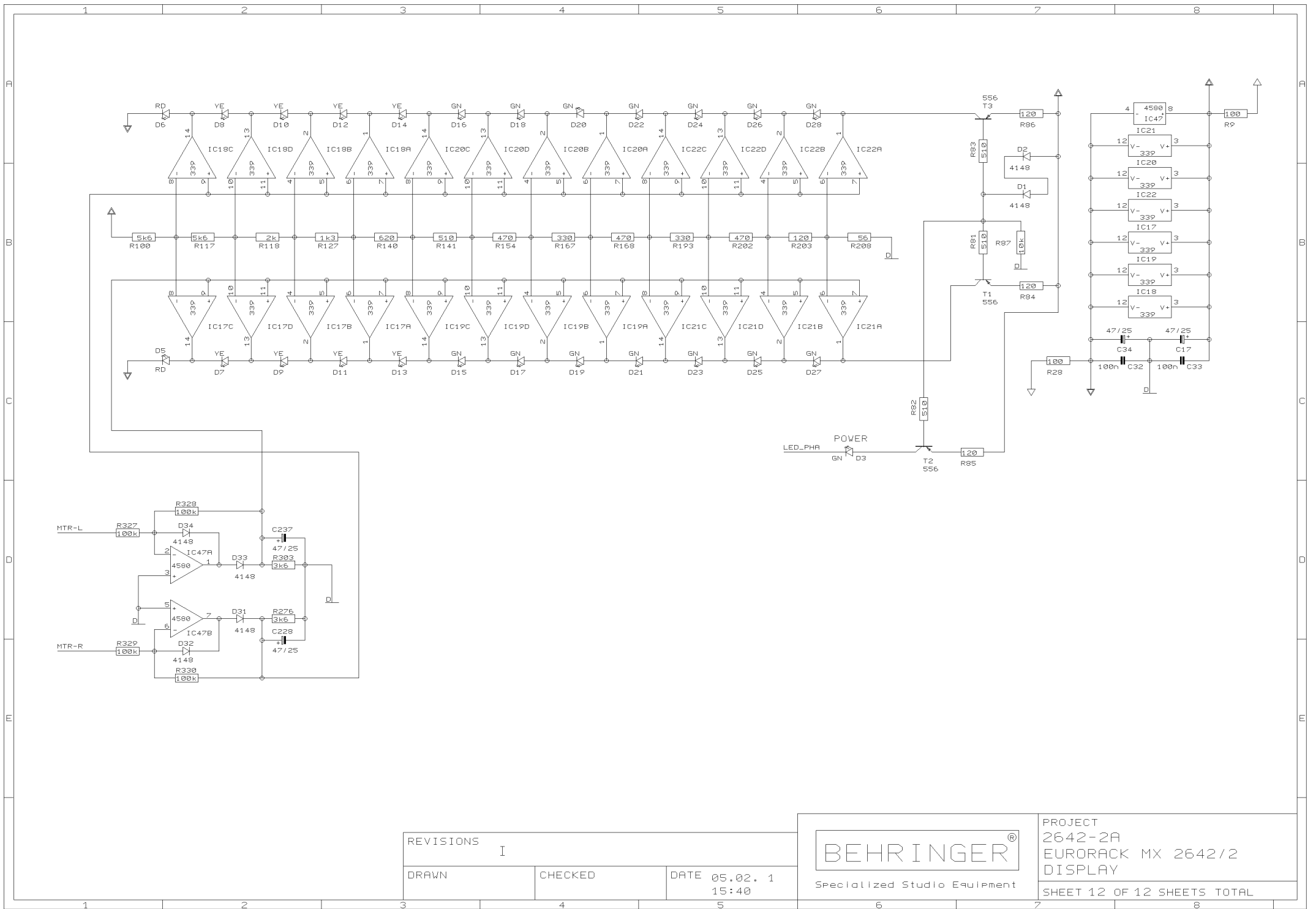
DRAWN

CHECKED

DATE 05.02. 1
15:40



PROJECT
2642-2A
EURORACK MX 2642/2
2TR/SOLO/HEADPHONE
SHEET 11 OF 12 SHEETS TOTAL



REVISIONS

I

DRAWN

CHECKED

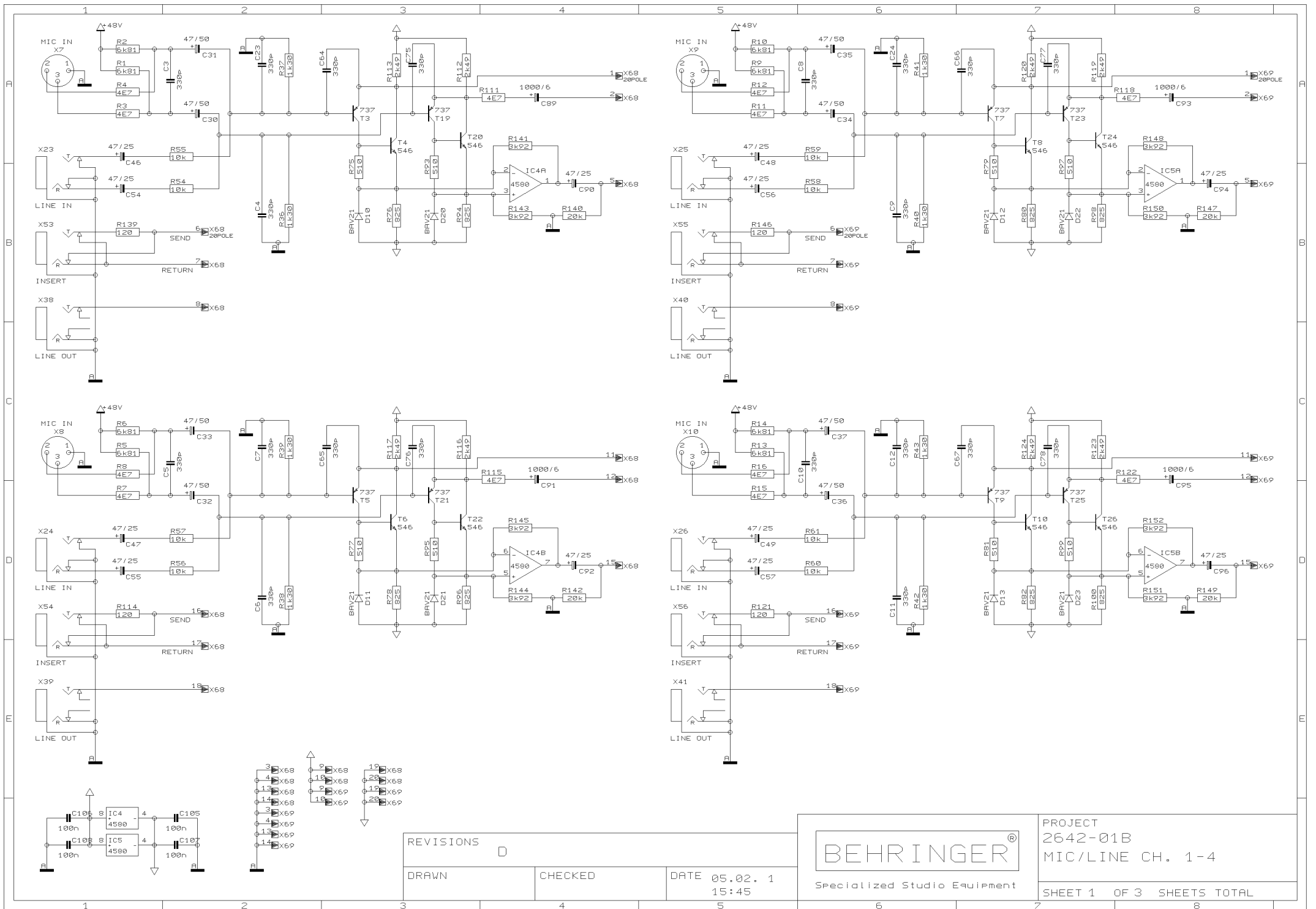
DATE 05.02. 1
15:40

BEHRINGER®

Specialized Studio Equipment

PROJECT
2642-2A
EURORACK MX 2642/2
DISPLAY

SHEET 12 OF 12 SHEETS TOTAL



REVISIONS

D

DRAWN

CHECKED

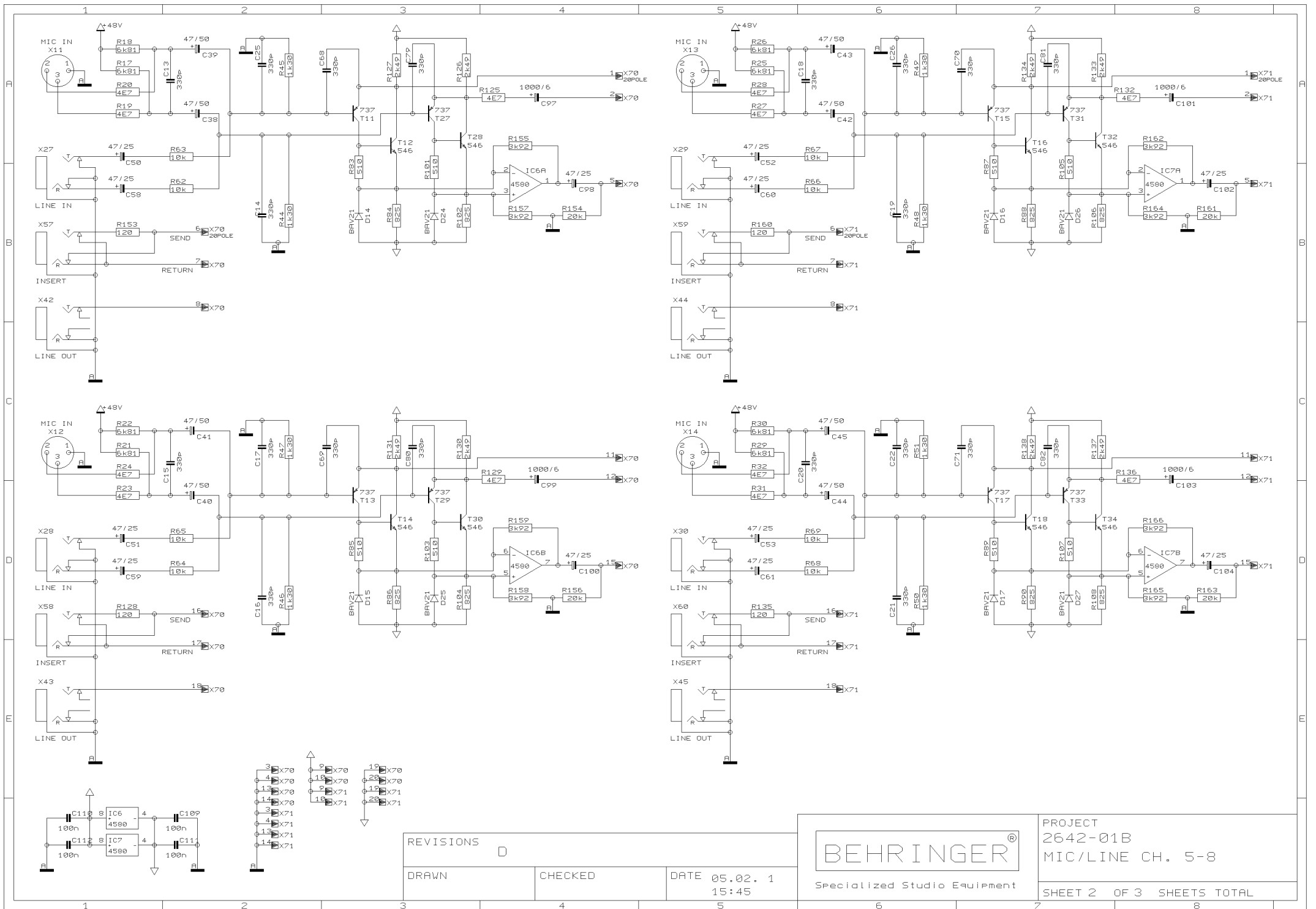
DATE 05.02. 1
15:45

BEHRINGER®

Specialized Studio Equipment

PROJECT
2642-01B
MIC/LINE CH. 1-4

SHEET 1 OF 3 SHEETS TOTAL



REVISIONS

D

DRAWN

CHECKED

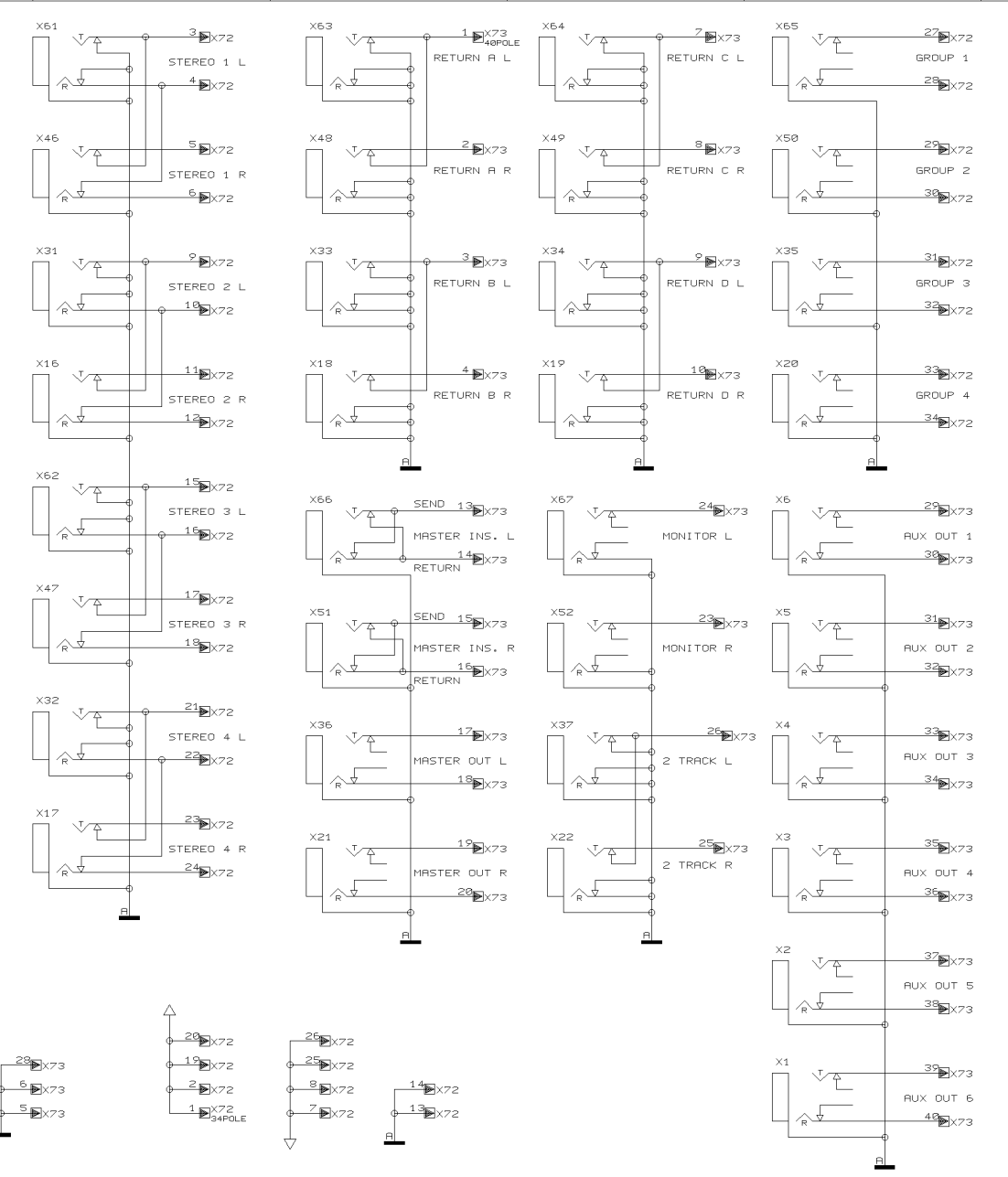
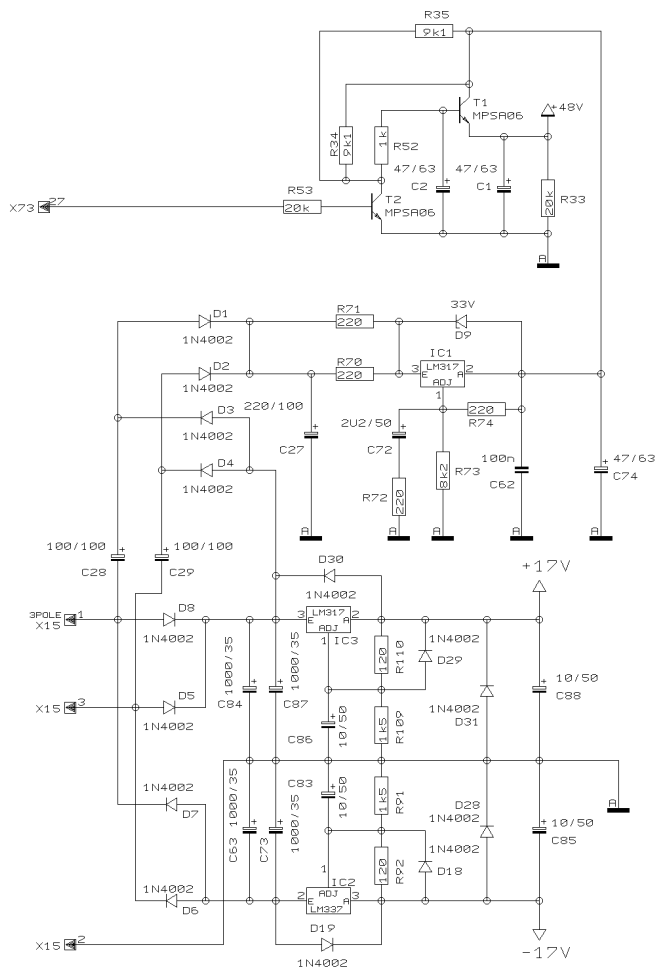
DATE 05.02. 1
15:45

BEHRINGER®

Specialized Studio Equipment

PROJECT
2642-01B
MIC/LINE CH. 5-8

SHEET 2 OF 3 SHEETS TOTAL

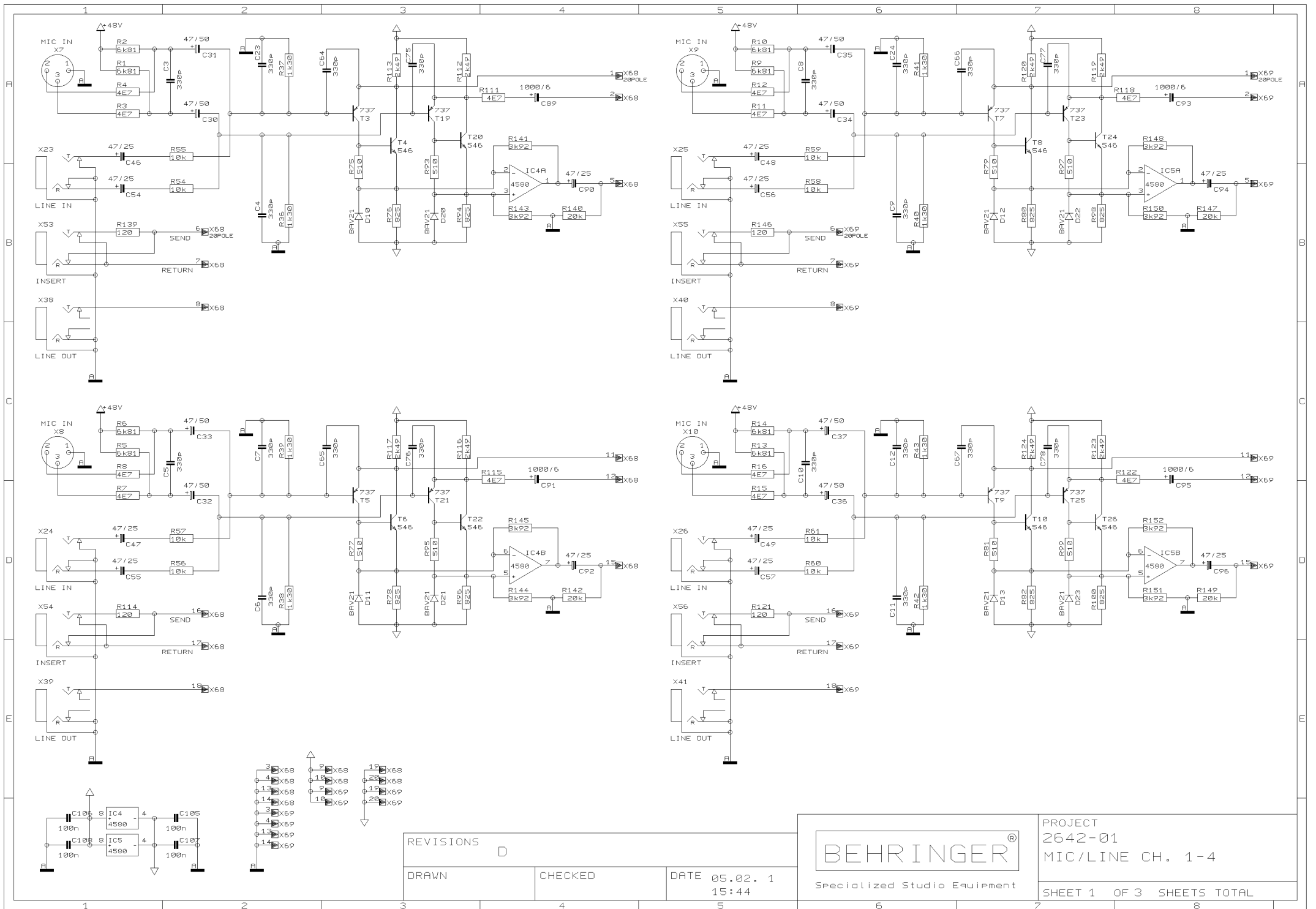


REVISIONS		
D		
DRAWN	CHECKED	DATE 05.02. 15:45



PROJECT
2642-01B
POWER SUPPLY & I/O

SHEET 3 OF 3 SHEETS TOTAL



REVISIONS

D

DRAWN

CHECKED

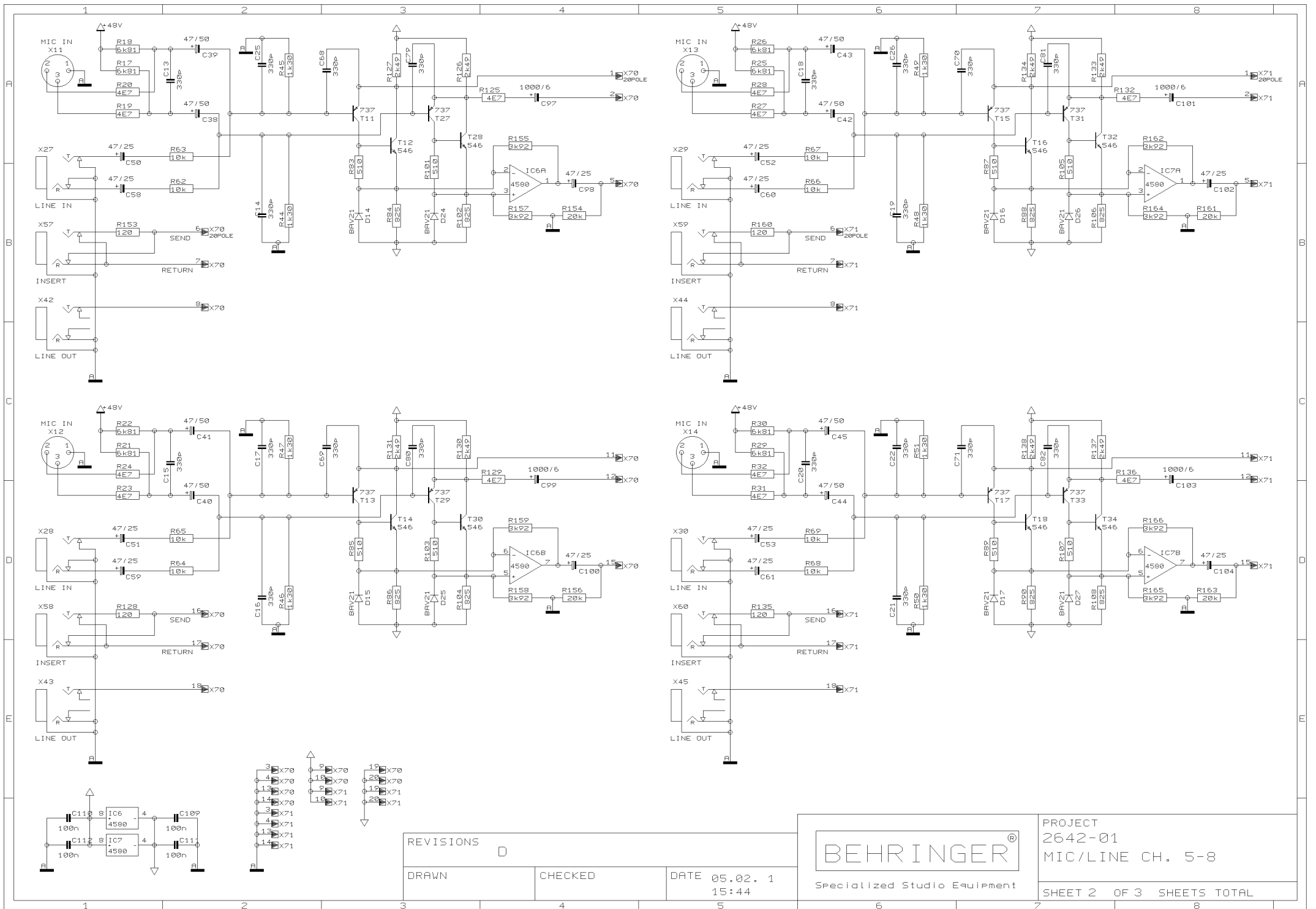
DATE 05.02. 1
15:44

BEHRINGER®

Specialized Studio Equipment

PROJECT
2642-01
MIC/LINE CH. 1-4

SHEET 1 OF 3 SHEETS TOTAL



REVISIONS

D

DRAWN

CHECKED

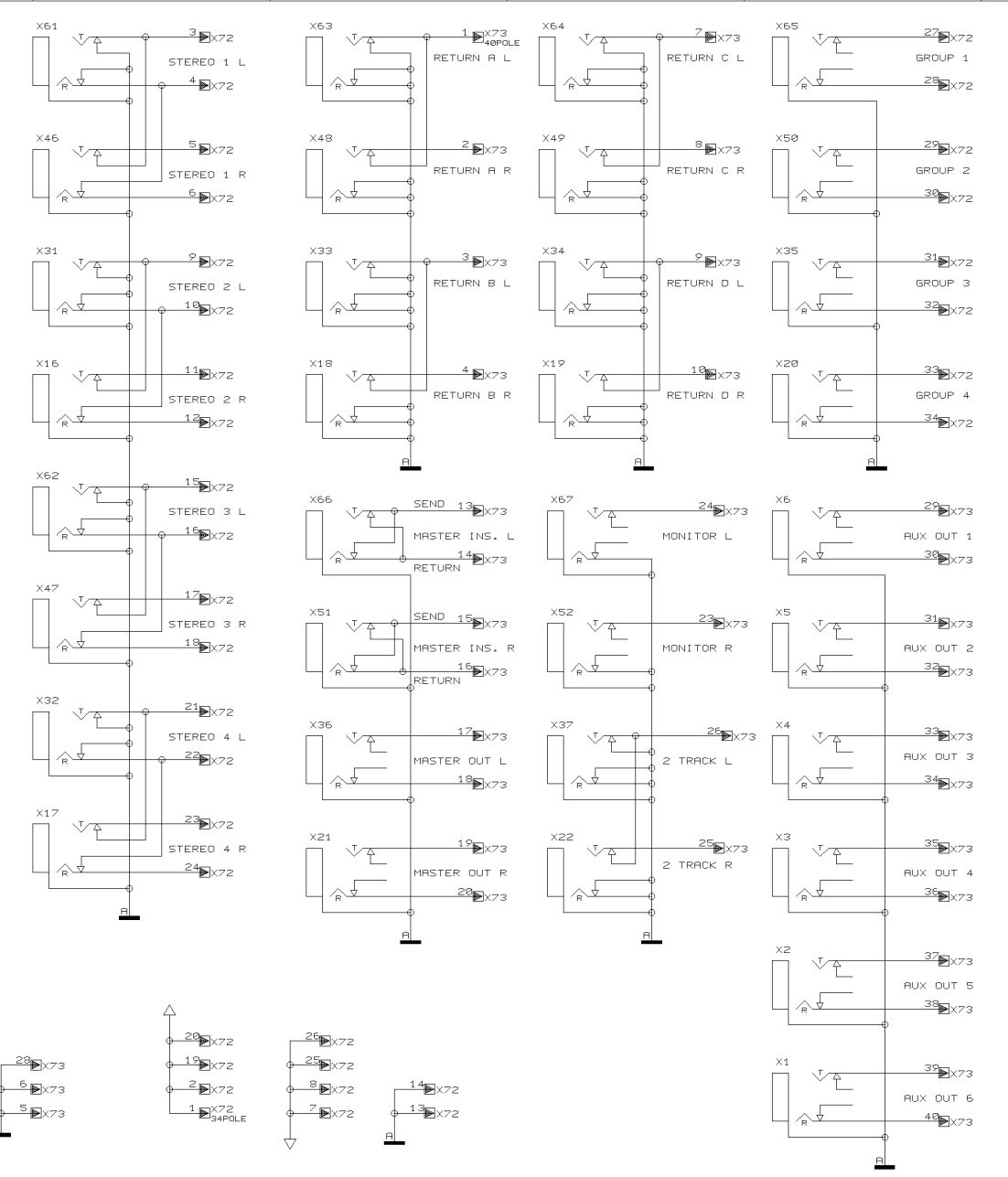
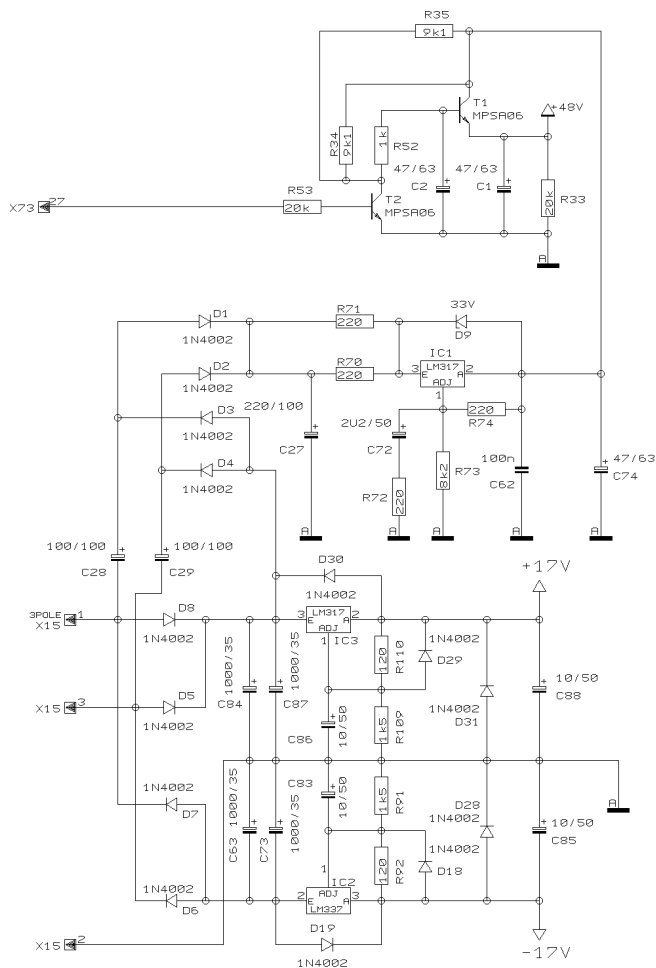
DATE 05.02. 1
15:44

BEHRINGER®

Specialized Studio Equipment

PROJECT
2642-01
MIC/LINE CH. 5-8

SHEET 2 OF 3 SHEETS TOTAL

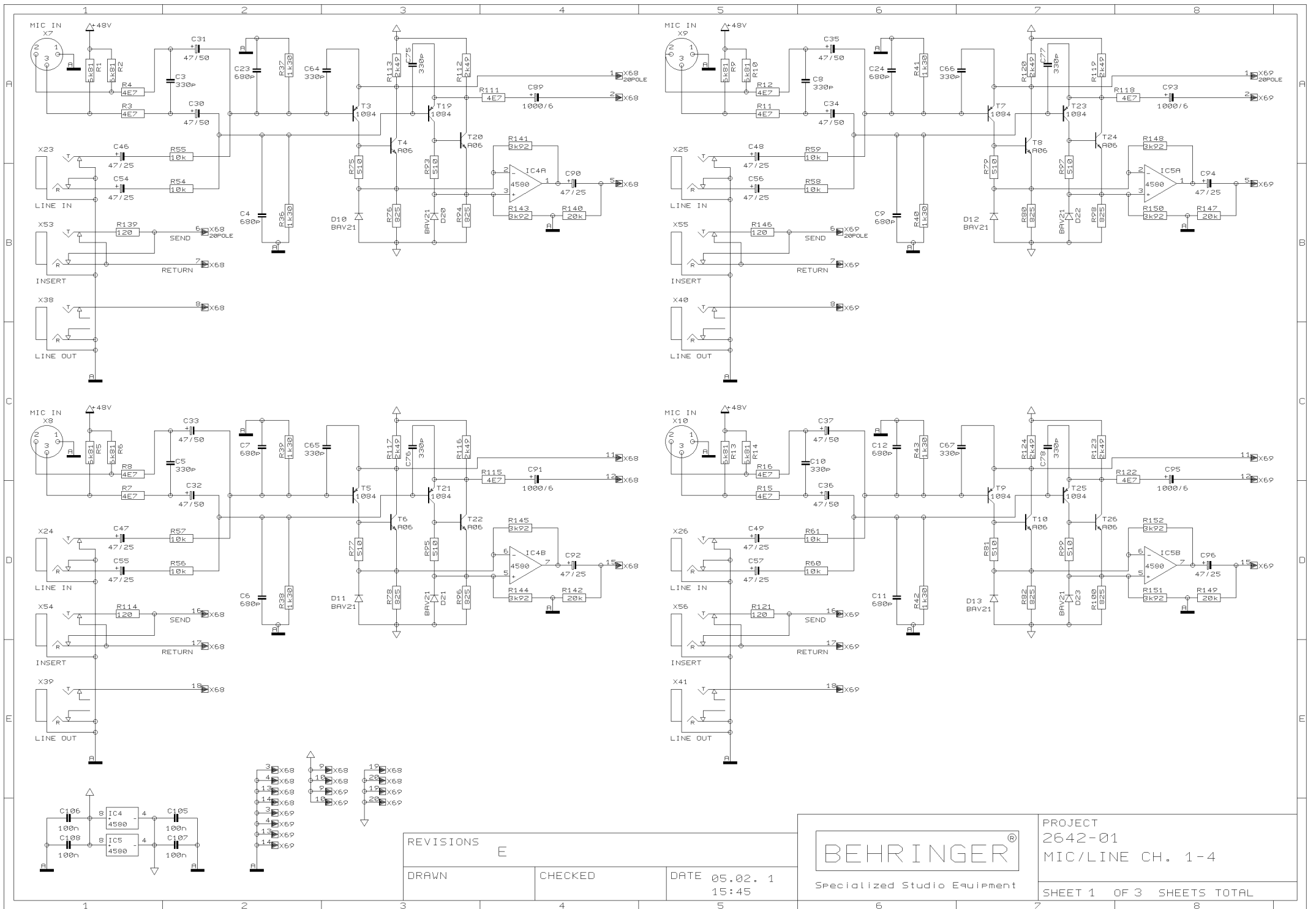


REVISIONS		
D		
DRAWN	CHECKED	DATE 05.02. 15:44



PROJECT
2642-01
POWER SUPPLY & I/O

SHEET 3 OF 3 SHEETS TOTAL



REVISIONS

E

DRAWN

CHECKED

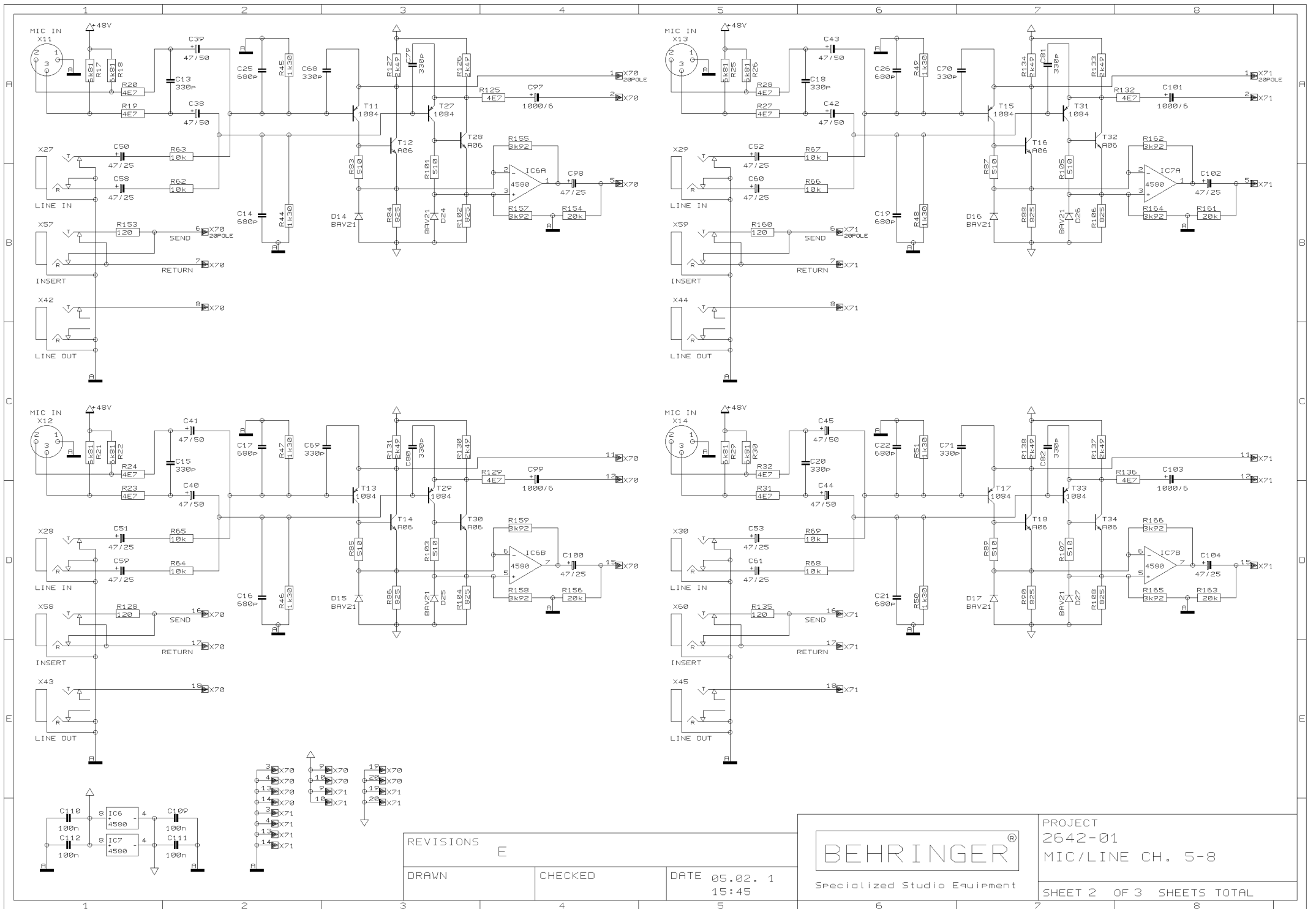
DATE 05.02. 1
15:45

BEHRINGER®

Specialized Studio Equipment

PROJECT
2642-01
MIC/LINE CH. 1-4

SHEET 1 OF 3 SHEETS TOTAL



REVISIONS

E

DRAWN

CHECKED

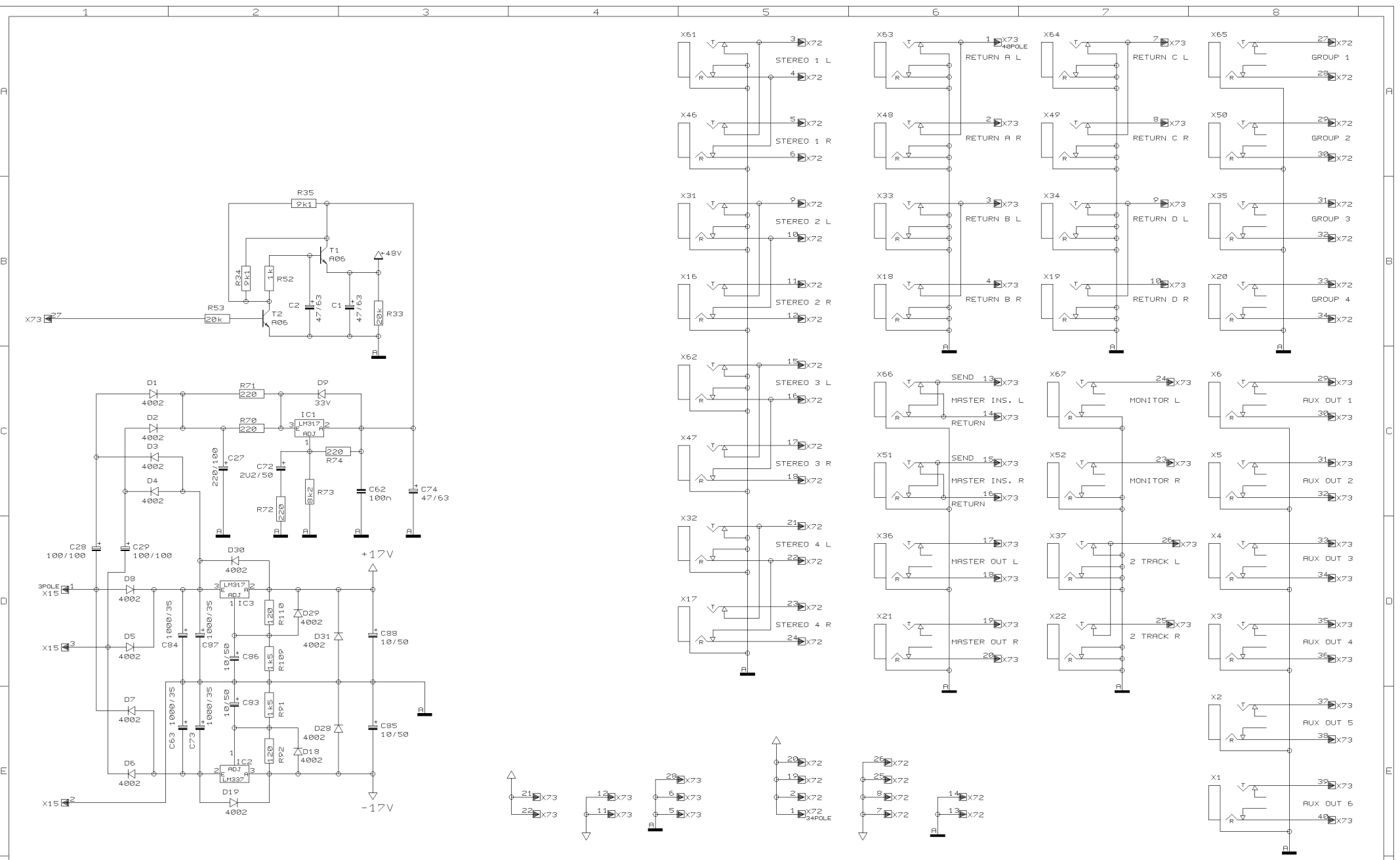
DATE 05.02. 1
15:45



Specialized Studio Equipment

PROJECT
2642-01
MIC/LINE CH. 5-8

SHEET 2 OF 3 SHEETS TOTAL



REVISIONS

E

DRAWN

CHECKED

DATE 05.02. 1
15:45

BEHRINGER®

Specialized Studio Equipment

PROJECT
2642-01
POWER SUPPLY & I/O

SHEET 3 OF 3 SHEETS TOTAL