

REVISIONS

F

DRAWN

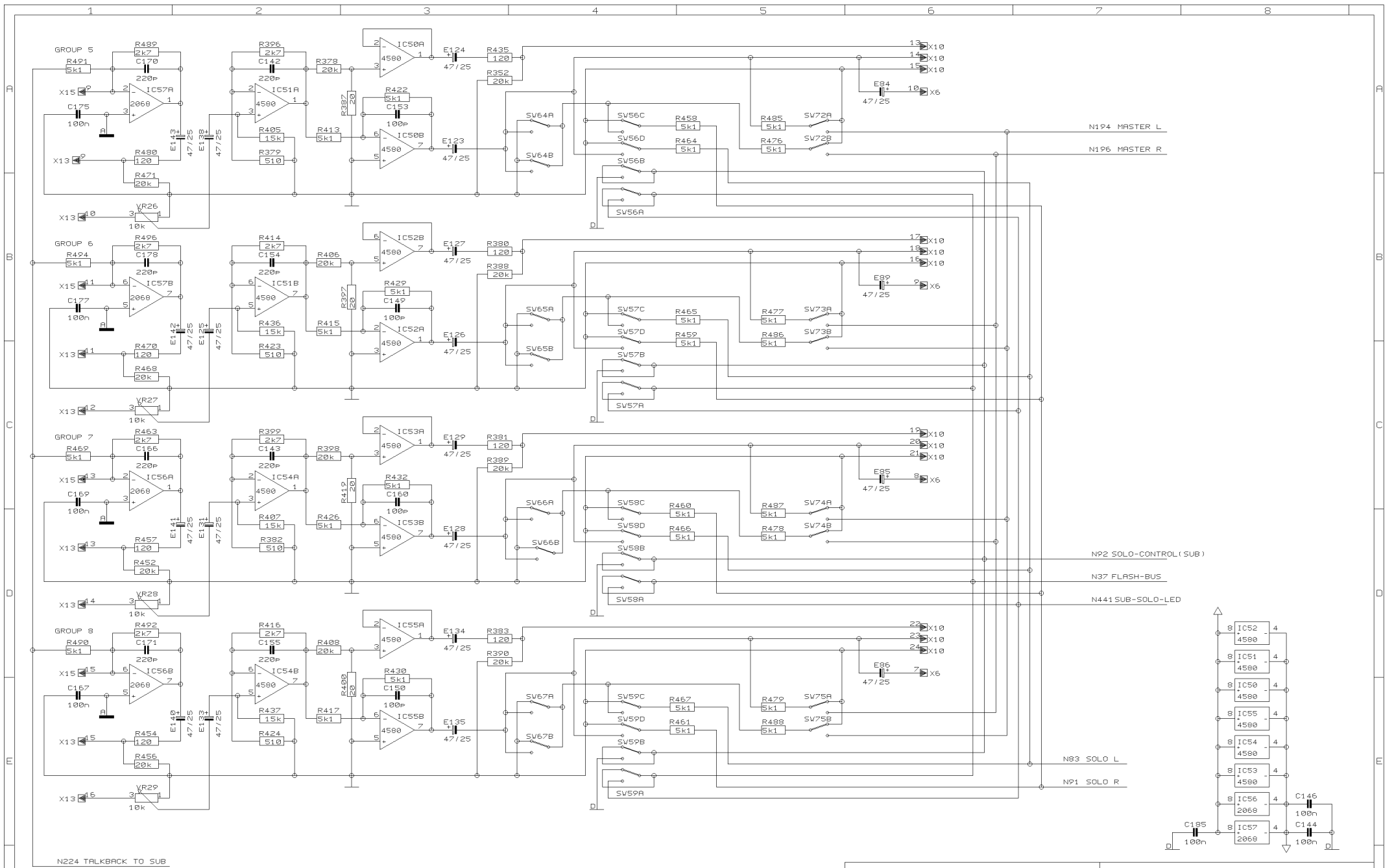
CHECKED

DATE 05.02. 1
8:30



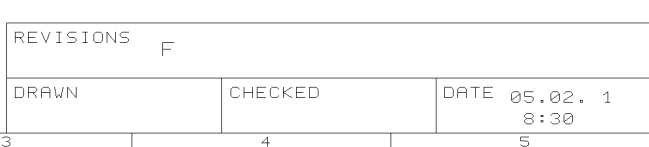
PROJECT
EURO02

SHEET 1 OF 7 SHEETS TOTAL



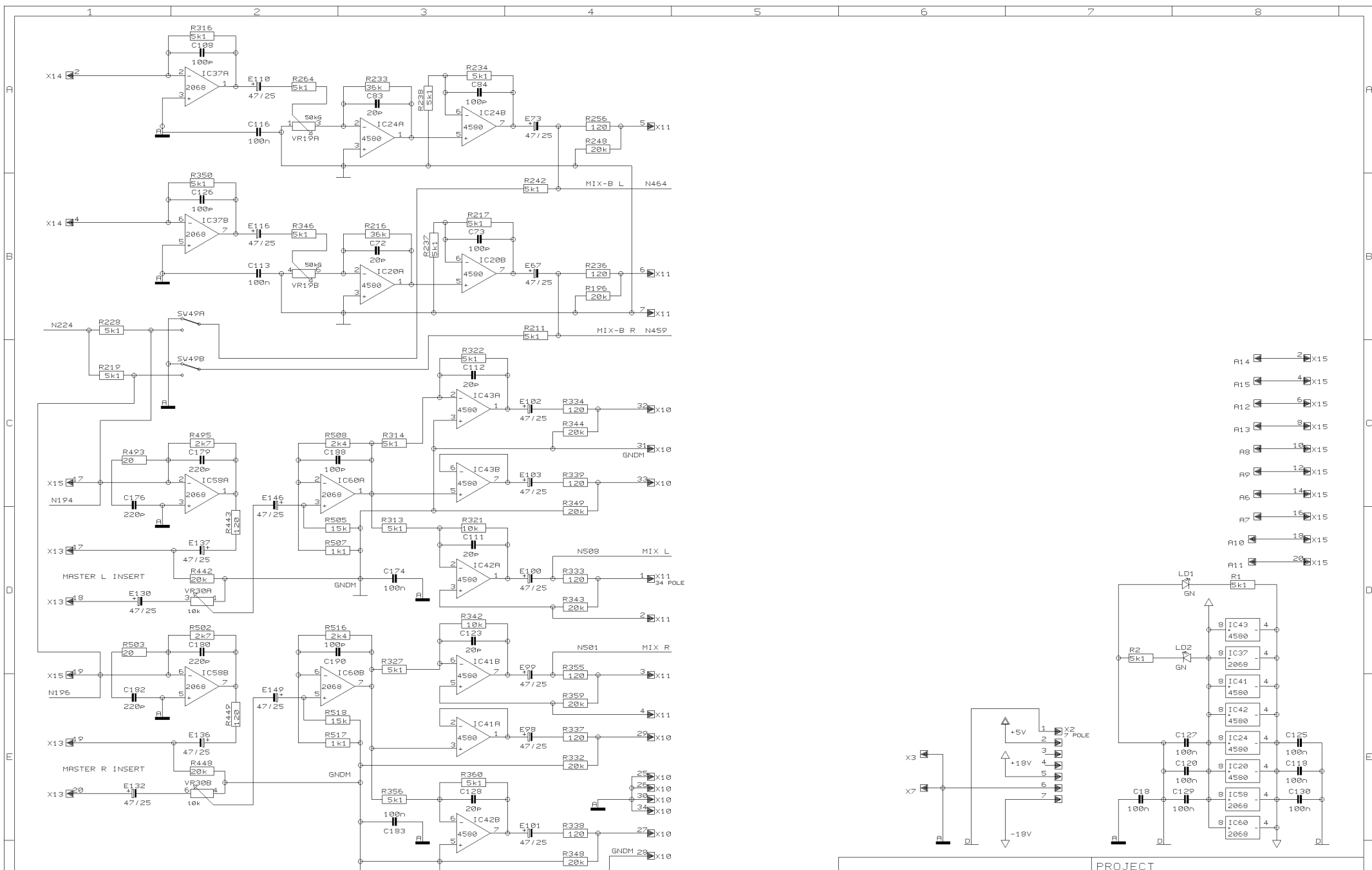
N224 TALKBACK TO SUB

REVISIONS		F
DRAWN	CHECKED	DATE 05.02. 1 8:30

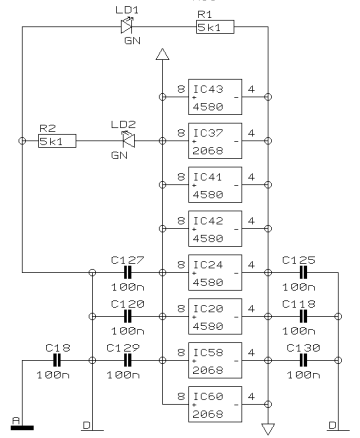
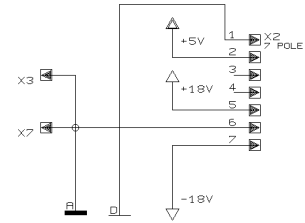


PROJECT
EURO02

SHEET 2 OF 7 SHEETS TOTAL



- A14 2 X15
- A15 4 X15
- A12 6 X15
- A13 8 X15
- A8 10 X15
- A9 12 X15
- A6 14 X15
- A7 16 X15
- A10 18 X15
- A11 20 X15

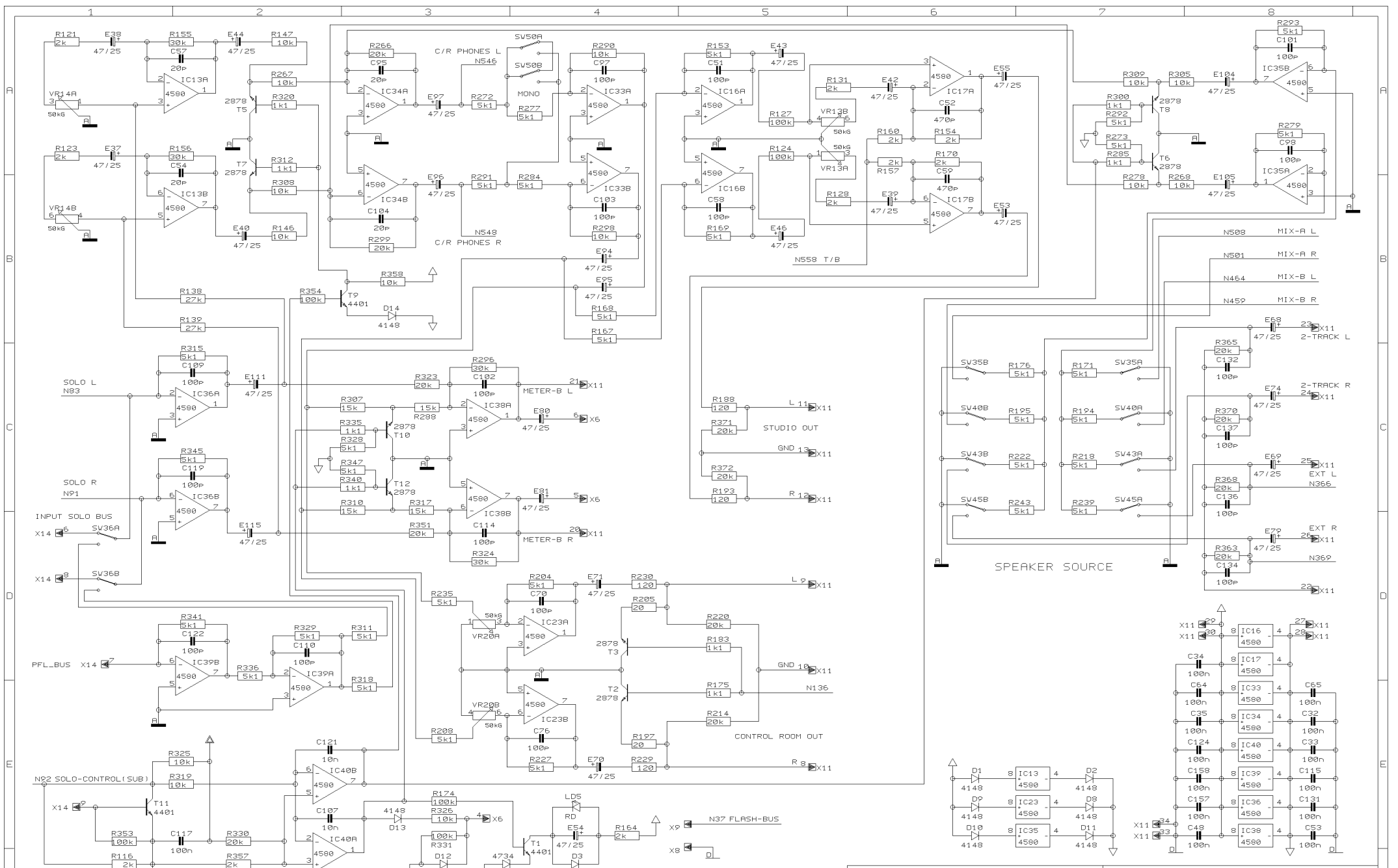


REVISIONS		
F		
DRAWN	CHECKED	DATE 05.02. 1 8:30



PROJECT
EURO02

SHEET 3 OF 7 SHEETS TOTAL



REVISIONS F

DRAWN

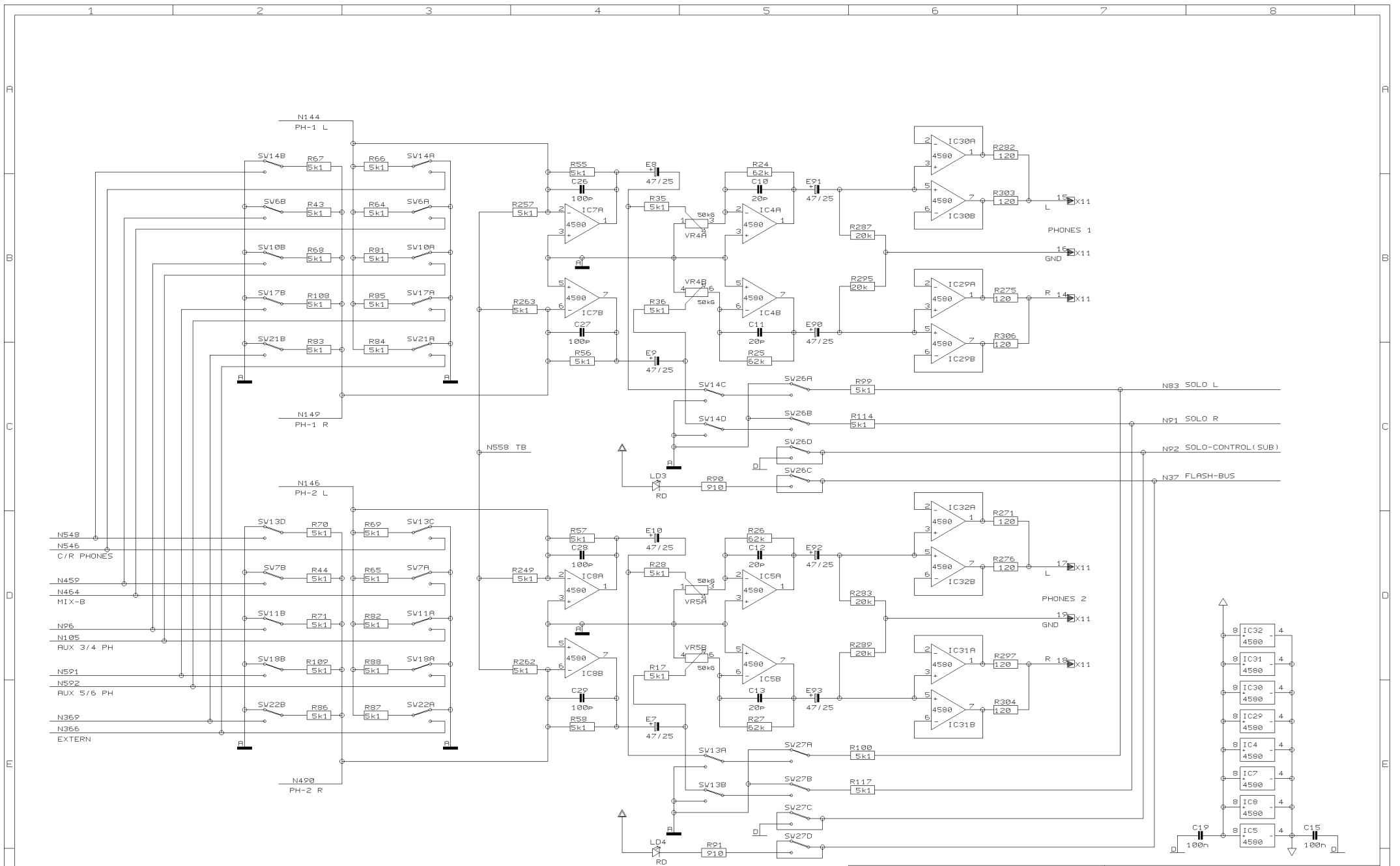
CHECKED

DATE 05.02. 1
8:30



PROJECT
EURO02

SHEET 4 OF 7 SHEETS TOTAL



REVISIONS F

DRAWN

CHECKED

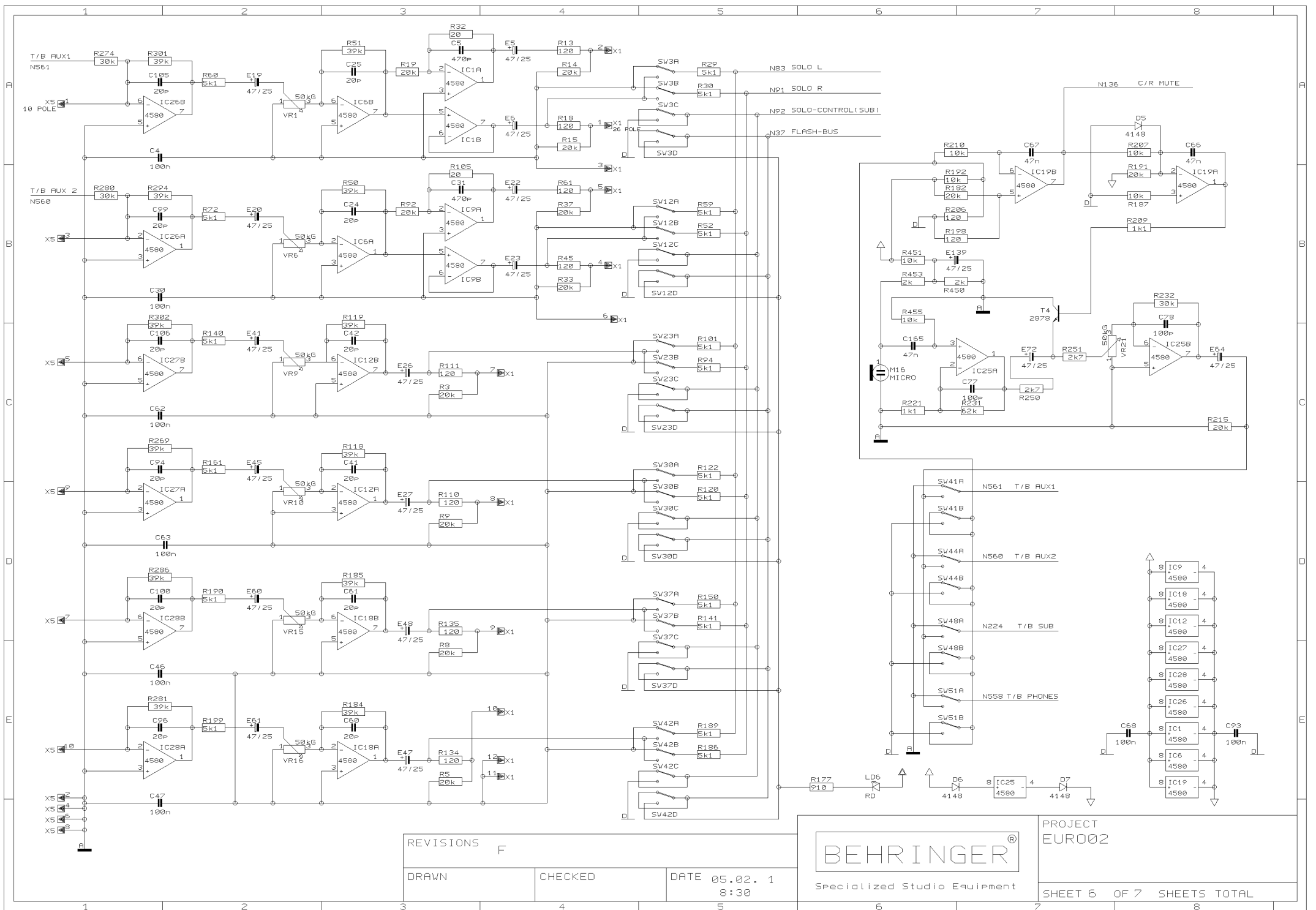
DATE 05.02. 1
8:30

BEHRINGER®

Specialized Studio Equipment

PROJECT
EURO02

SHEET 5 OF 7 SHEETS TOTAL



REVISIONS F

DRAWN

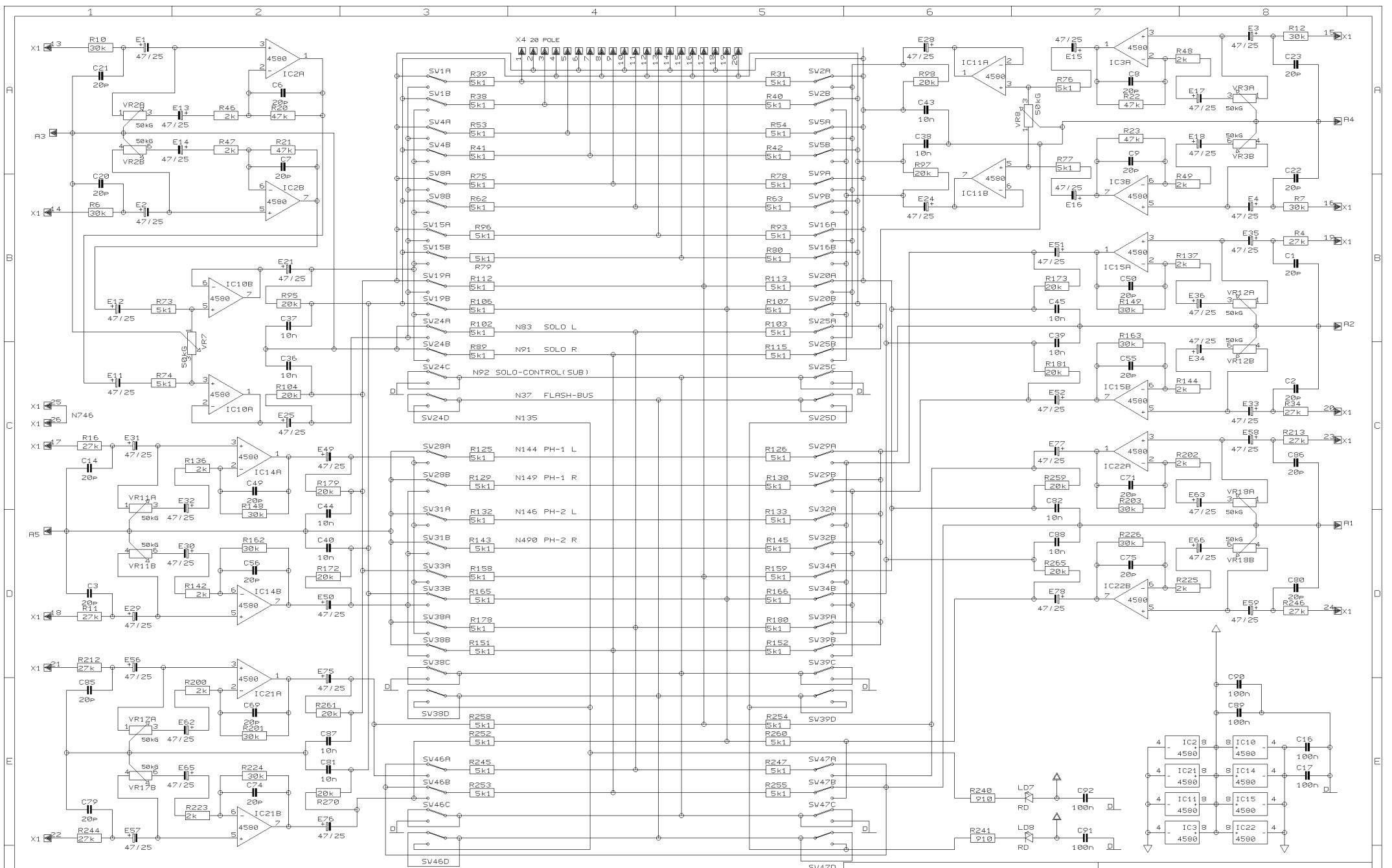
CHECKED

DATE 05.02. 1
8:30



PROJECT
EURO02

SHEET 6 OF 7 SHEETS TOTAL



REVISIONS		F
DRAWN	CHECKED	DATE 05.02. 1 8:30

BEHRINGER[®]
Specialized Studio Equipment

PROJECT
EURO02
SHEET 7 OF 7 SHEETS TOTAL