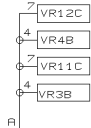
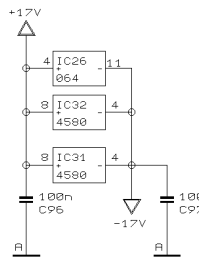
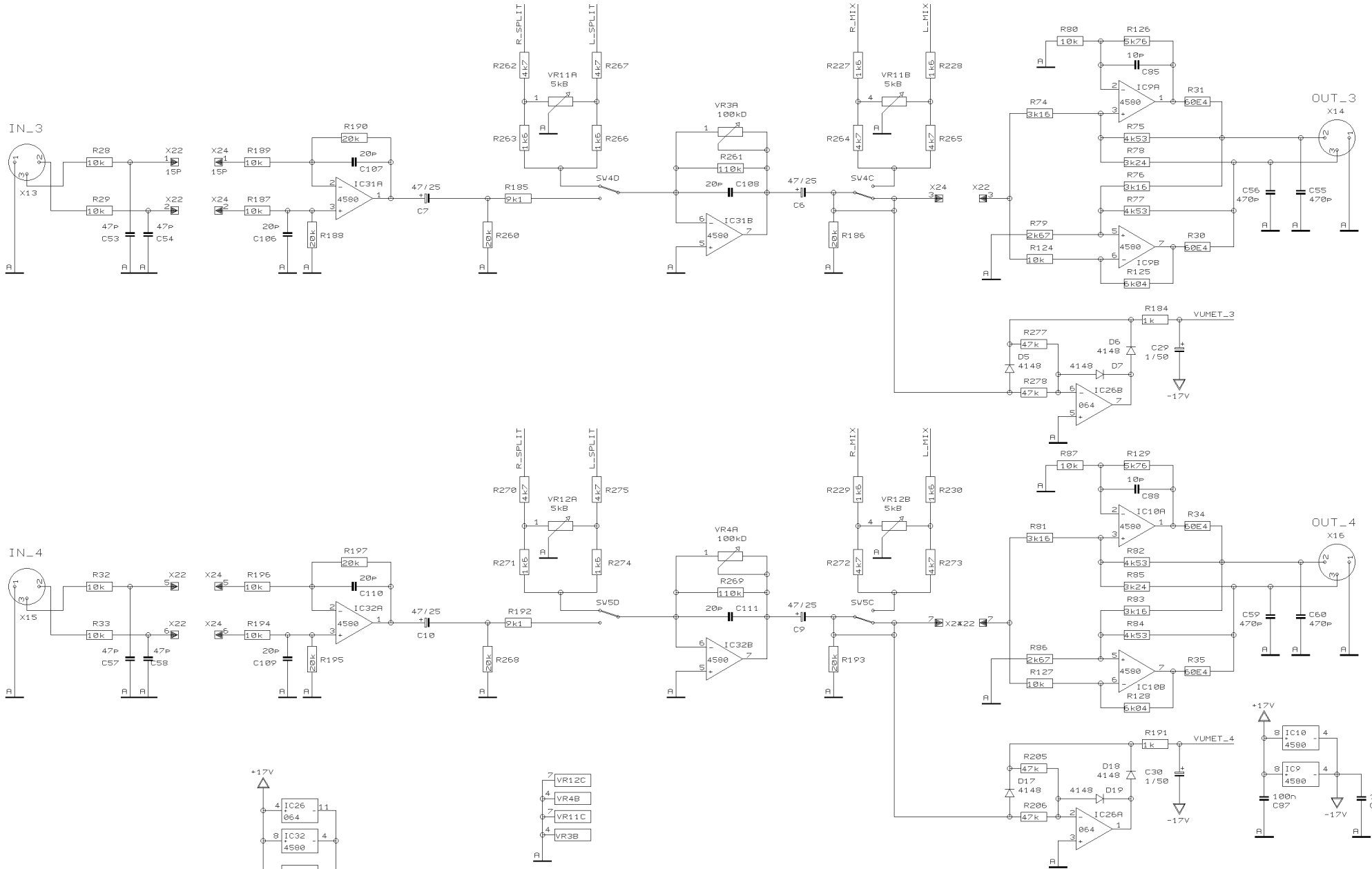


REVISIONS		
D		
DRAWN	CHECKED	DATE 05.02. 14:52



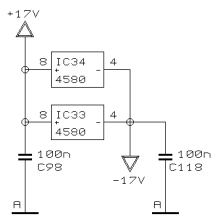
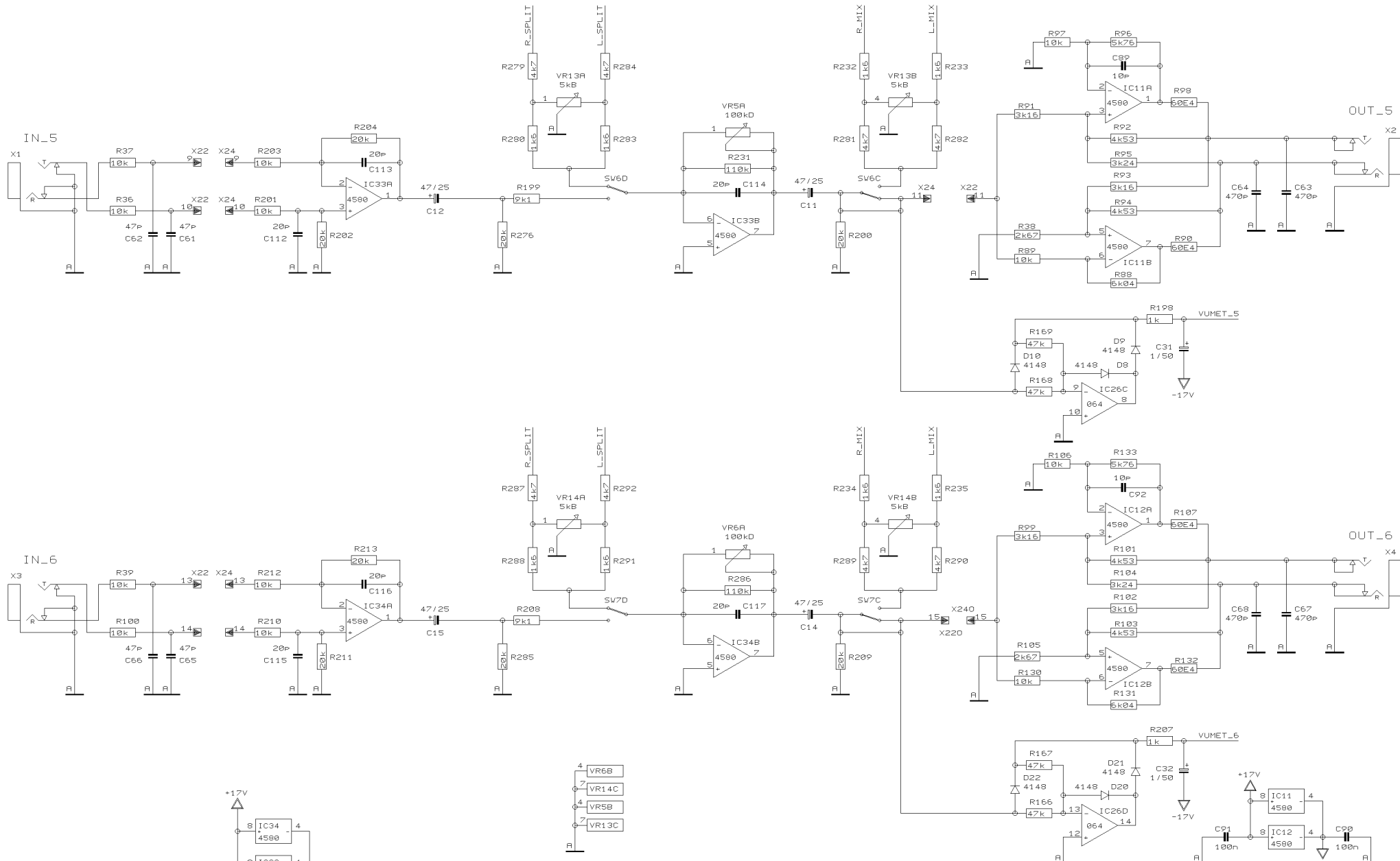
PROJECT  
MX882  
INPUT/OUTPUT SECTION  
CHANNEL 1&2  
SHEET 1 OF 6 SHEETS TOTAL



REVISIONS		
D		
DRAWN	CHECKED	DATE 05.02. 1 14:52



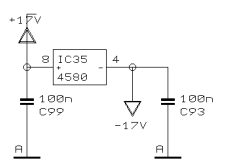
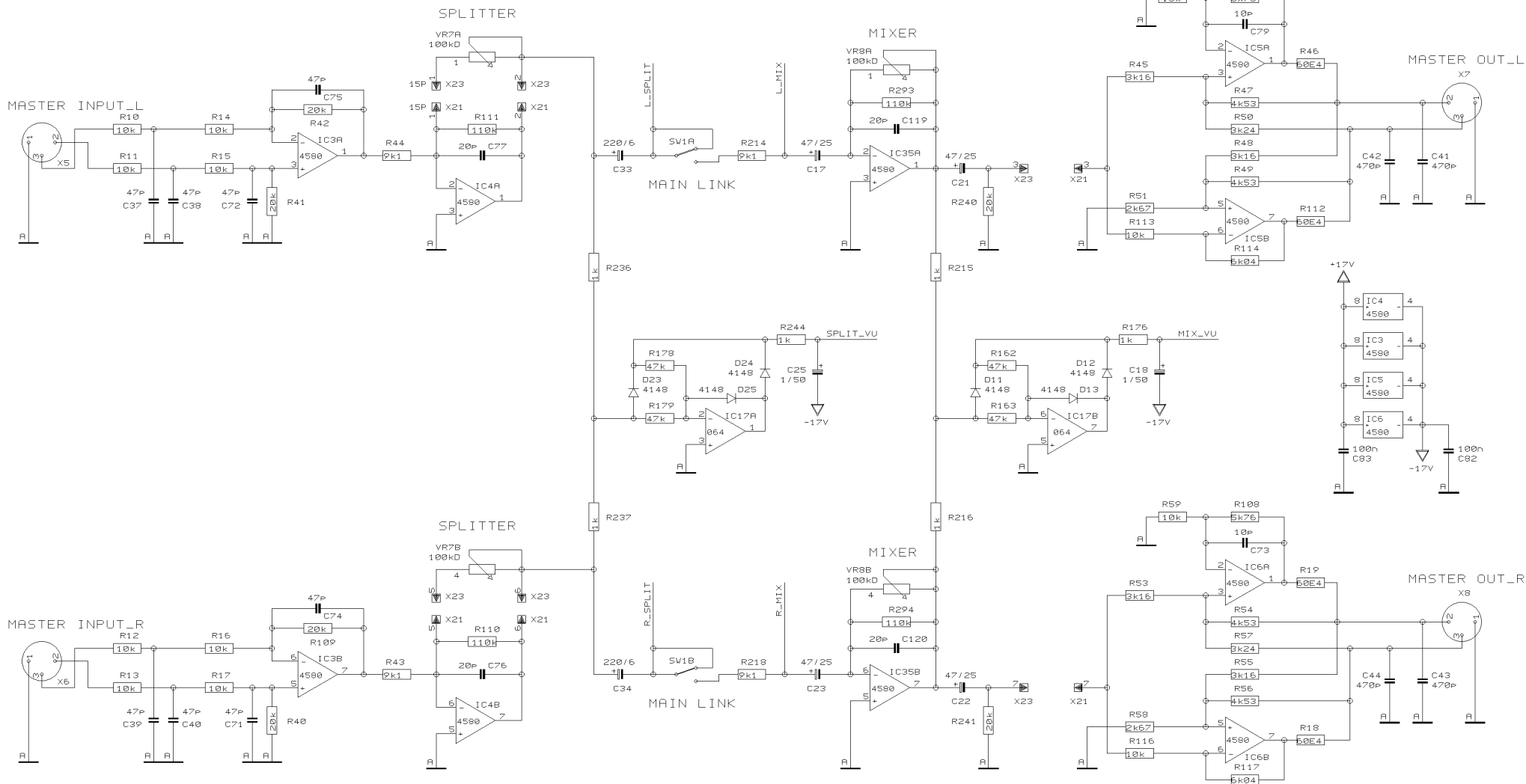
PROJECT  
MX882  
INPUT/OUTPUT SECTION  
CHANNEL 3&4  
SHEET 2 OF 6 SHEETS TOTAL



REVISIONS		D
DRAWN	CHECKED	DATE 05.02. 14:52



PROJECT  
MX882  
INPUT/OUTPUT SECTION  
CHANNEL 5&6  
SHEET 3 OF 6 SHEETS TOTAL



REVISIONS

D

DRAWN

CHECKED

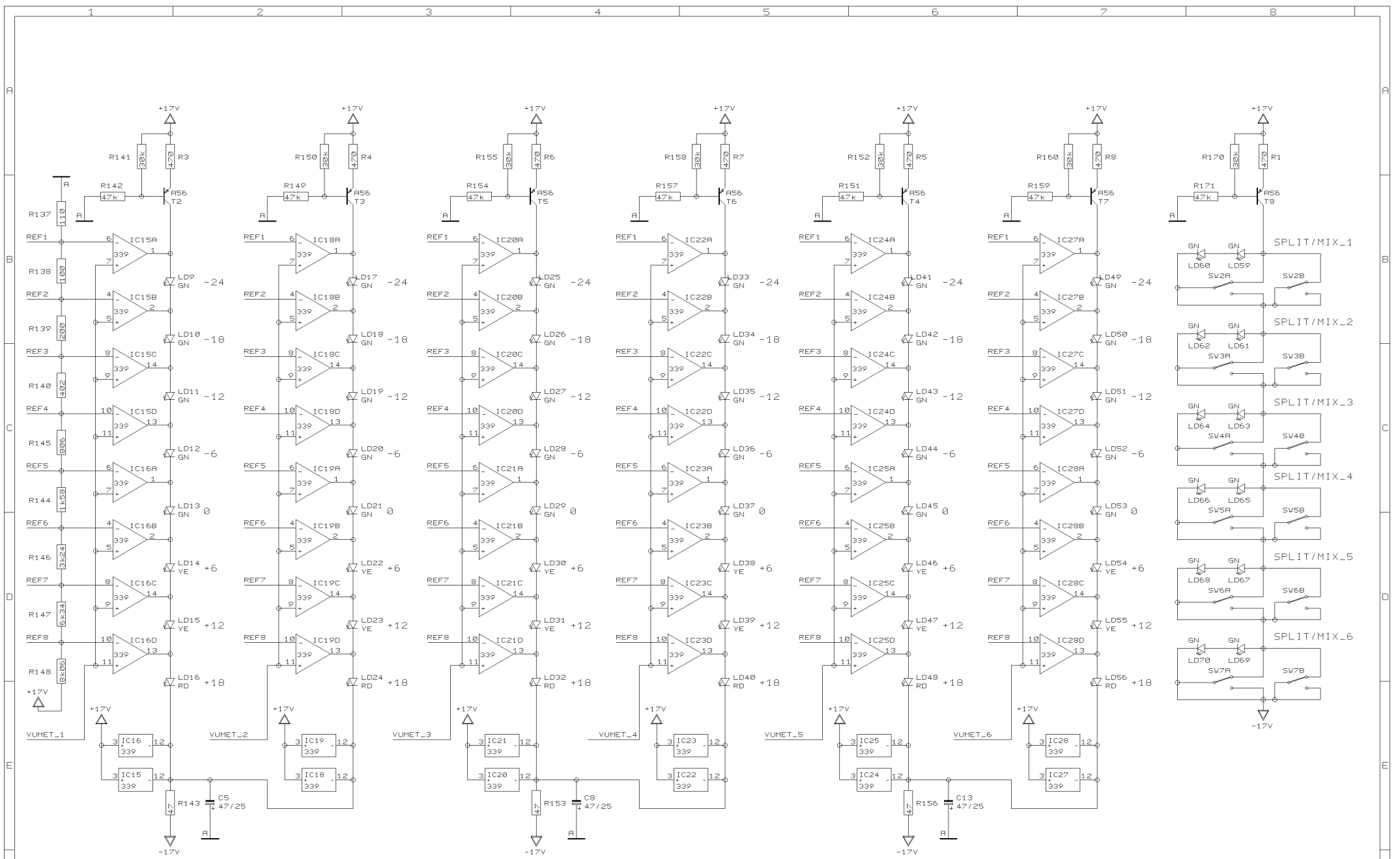
DATE 05.02. 1  
14:53



Specialized Studio Equipment

PROJECT  
MX882  
MAIN SECTION

SHEET 4 OF 6 SHEETS TOTAL



REVISIONS

D

DRAWN

CHECKED

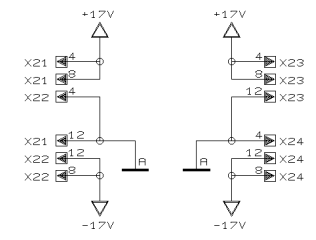
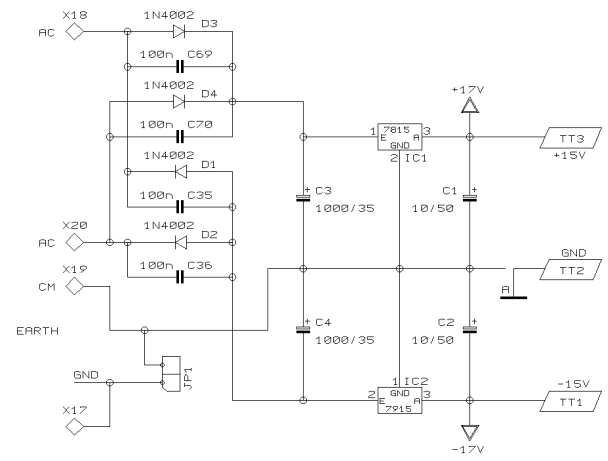
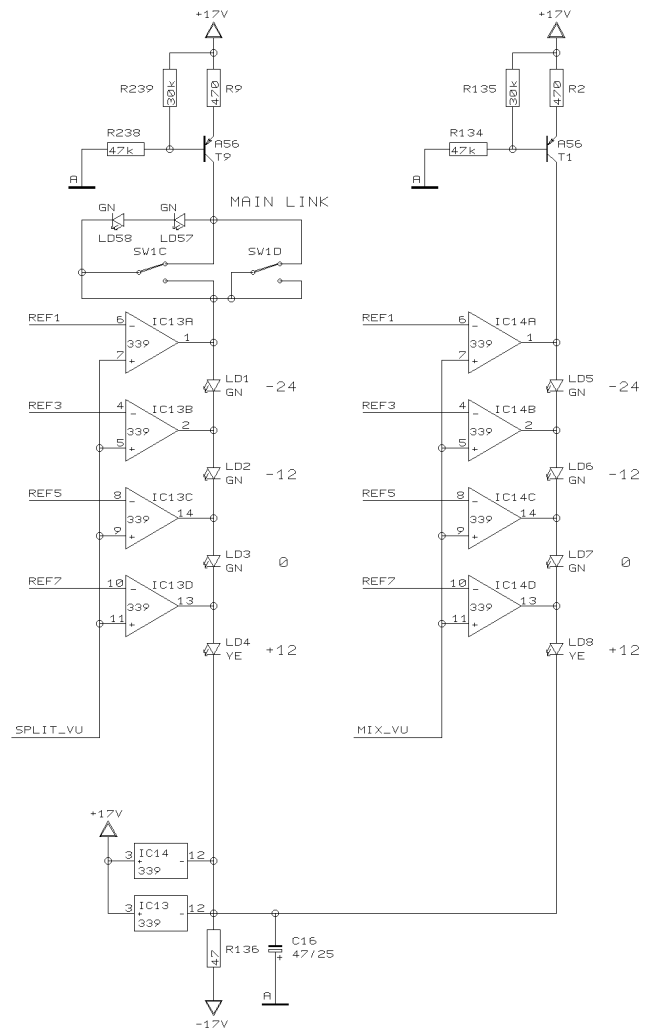
DATE 05.02. 1  
14:53

BEHRINGER®

Specialized Studio Equipment

PROJECT  
MX882  
VU METERS  
CHANNELS 1 - 6

SHEET 5 OF 6 SHEETS TOTAL



REVISIONS		
D		
DRAWN	CHECKED	DATE 05.02. 1 14:53



PROJECT  
MX882  
VU METERS & PSU  
MAIN SECTION  
SHEET 6 OF 6 SHEETS TOTAL