

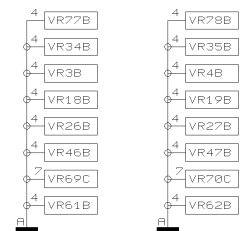
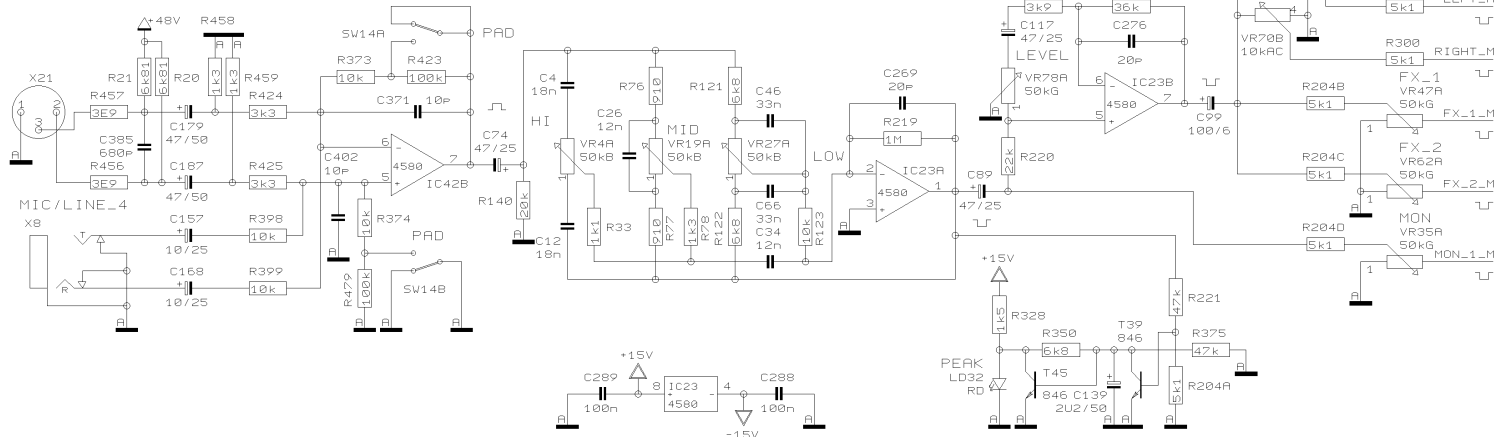
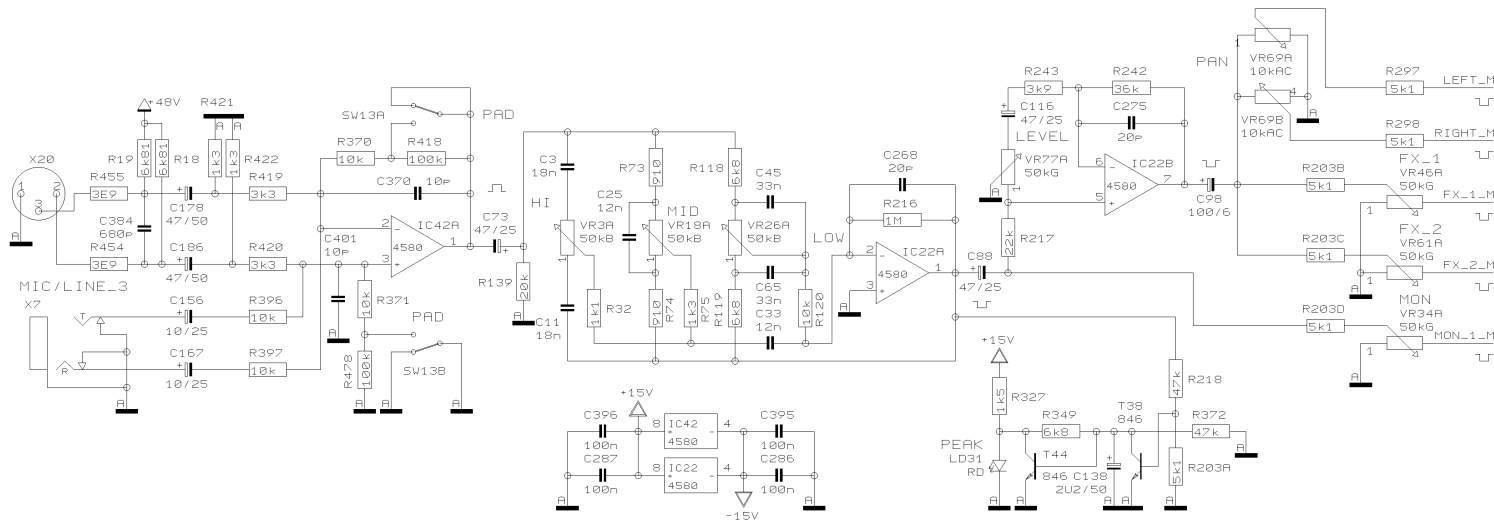
- 4 VR75B
- 4 VR32B
- 4 VR1B
- 4 VR16B
- 4 VR24B
- 4 VR44B
- 7 VR67C
- 4 VR59B
- 4 VR76B
- 4 VR33B
- 4 VR2B
- 4 VR17B
- 4 VR25B
- 4 VR45B
- 7 VR68C
- 4 VR60B

REVISIONS A (10/12/07)

DRAWN SA CHECKED DATE 14.12.7 12:17



PROJECT P0568  
EUROPOWER  
MONO CHANNEL 1-2  
SHEET 1 OF 9 SHEETS TOTAL



REVISIONS  
A

DRAWN SA

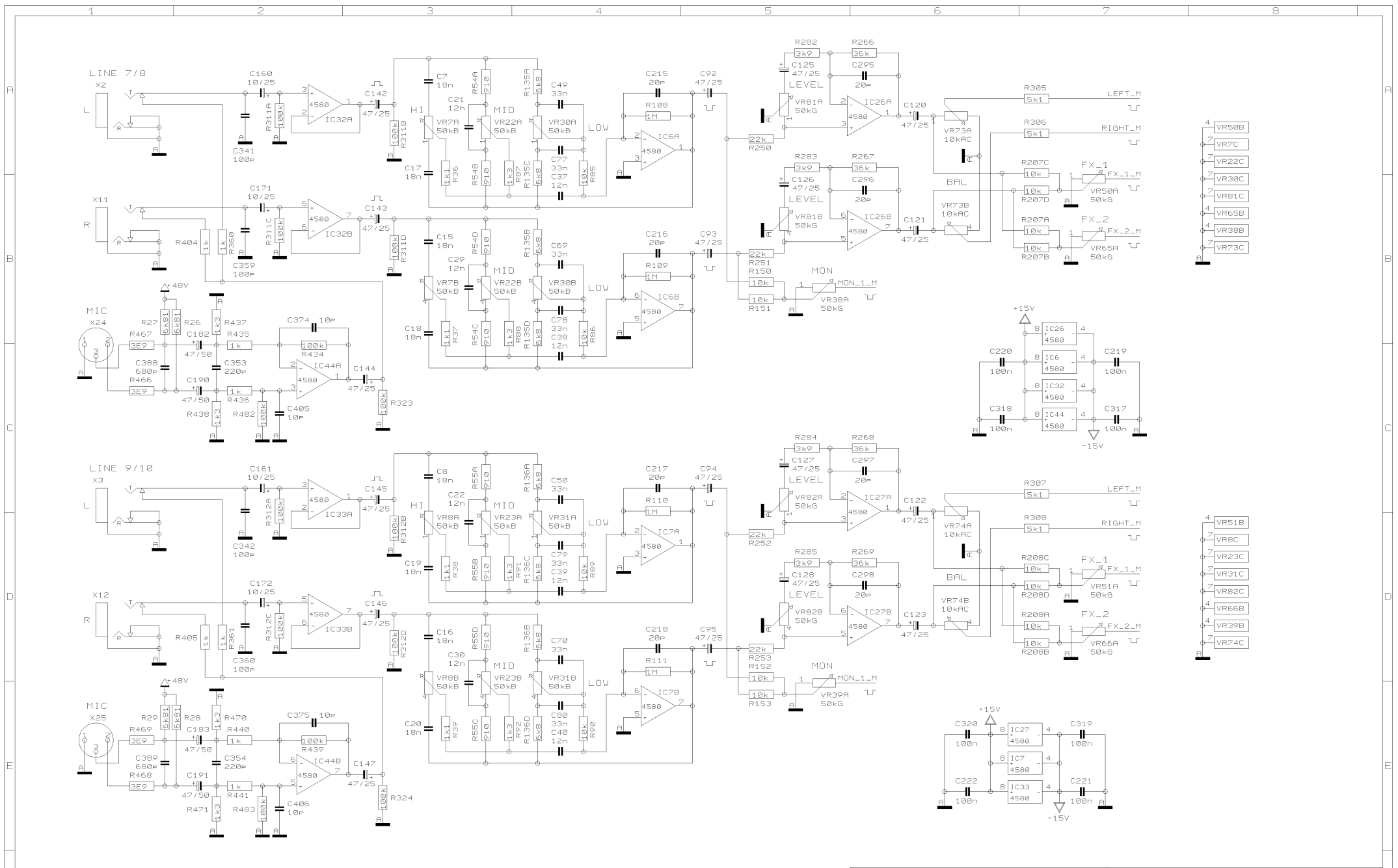
CHECKED

DATE 14.12.7  
12:17



PROJECT  
P0568  
EUROPOWER  
MONO CHANNEL 3-4  
SHEET 2 OF 9 SHEETS TOTAL





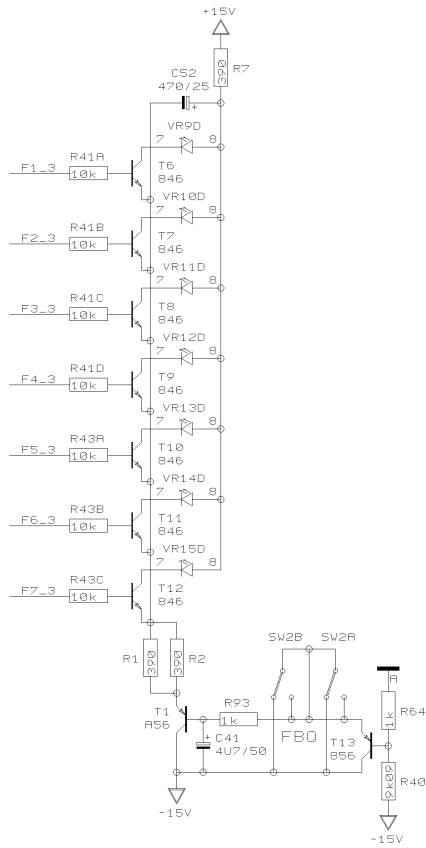
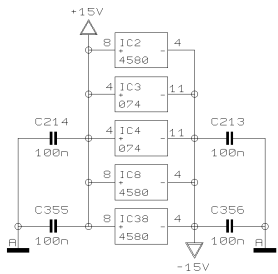
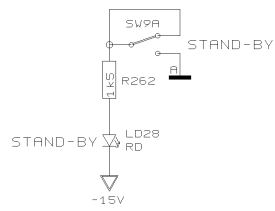
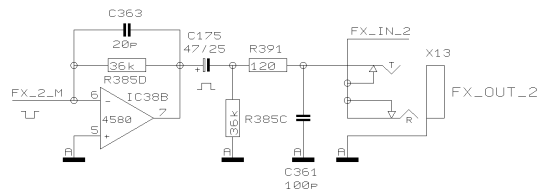
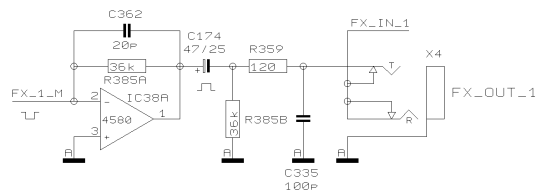
REVISIONS

REVISIONS	A
DRAWN	SA
CHECKED	

DATE 14.12.7  
12:17



PROJECT P0568  
EUROPOWER  
STEREO CHANNEL 7/8-9/10  
SHEET 4 OF 9 SHEETS TOTAL



REVISIONS

A

DRAWN SA

CHECKED

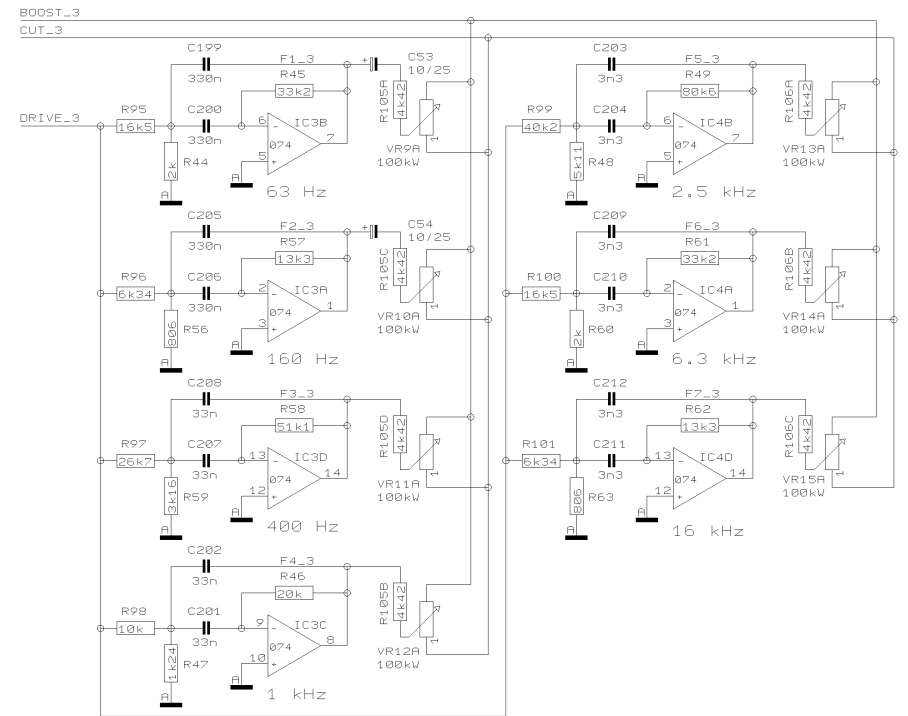
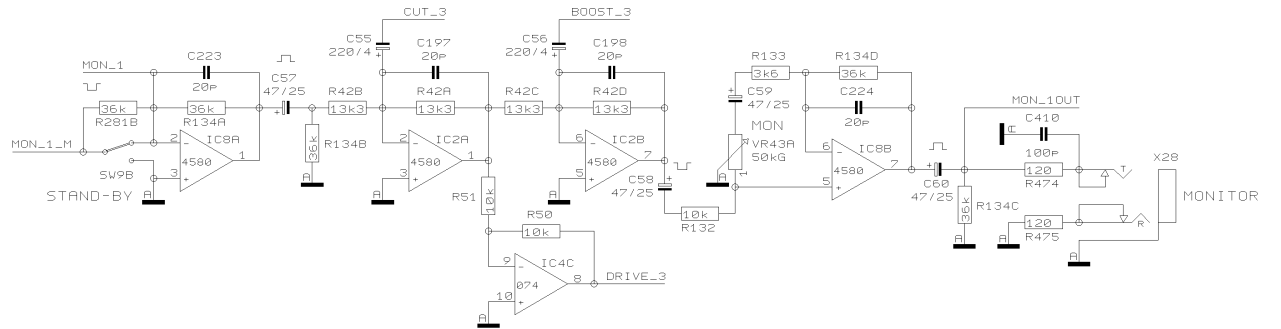
DATE 14.12.7  
12:17

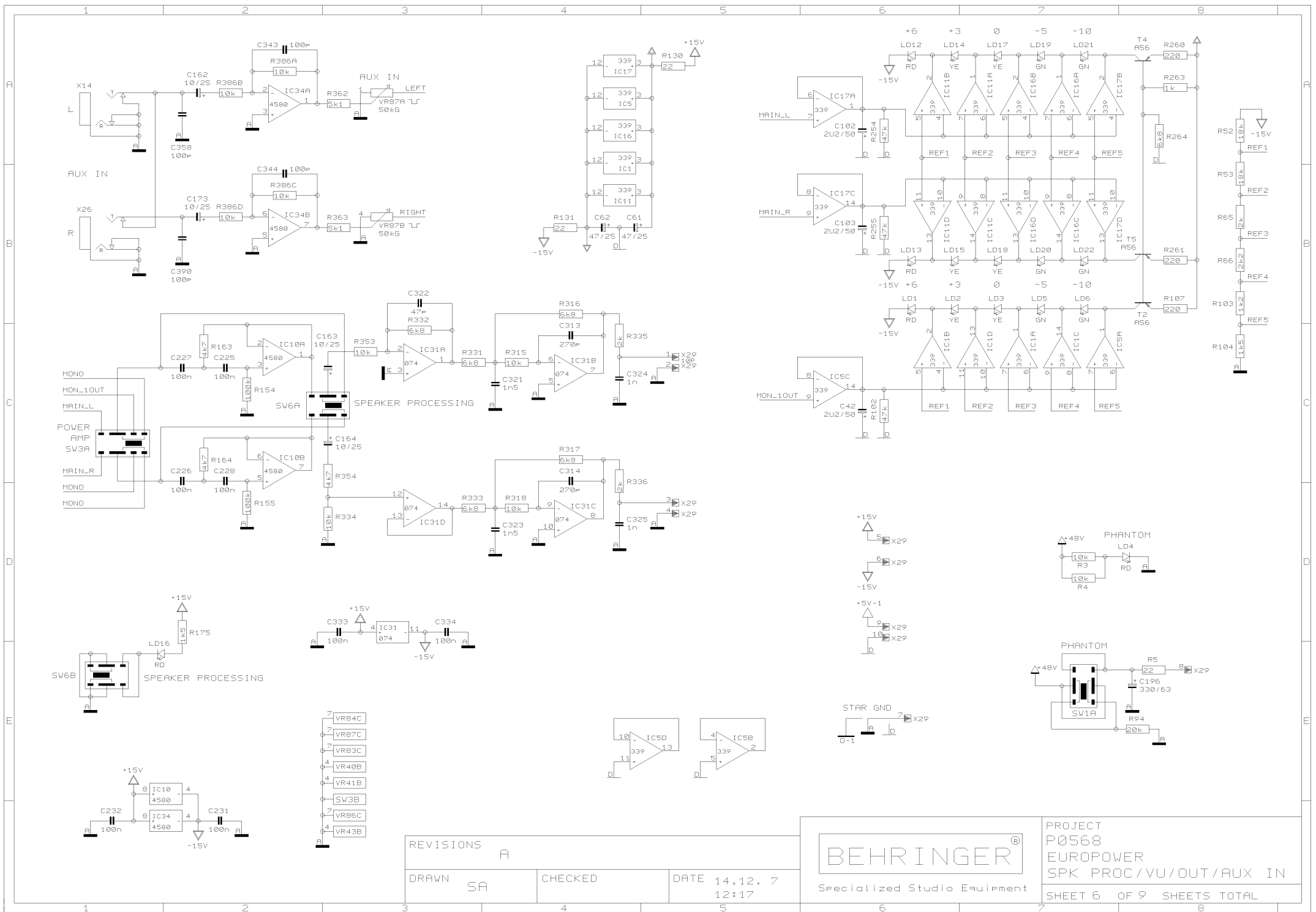
BEHRINGER®

Specialized Studio Equipment

PROJECT  
P0568  
EUROPOWER  
MON/FX/STBY

SHEET 5 OF 9 SHEETS TOTAL





REVISIONS A

DRAWN SA

CHECKED

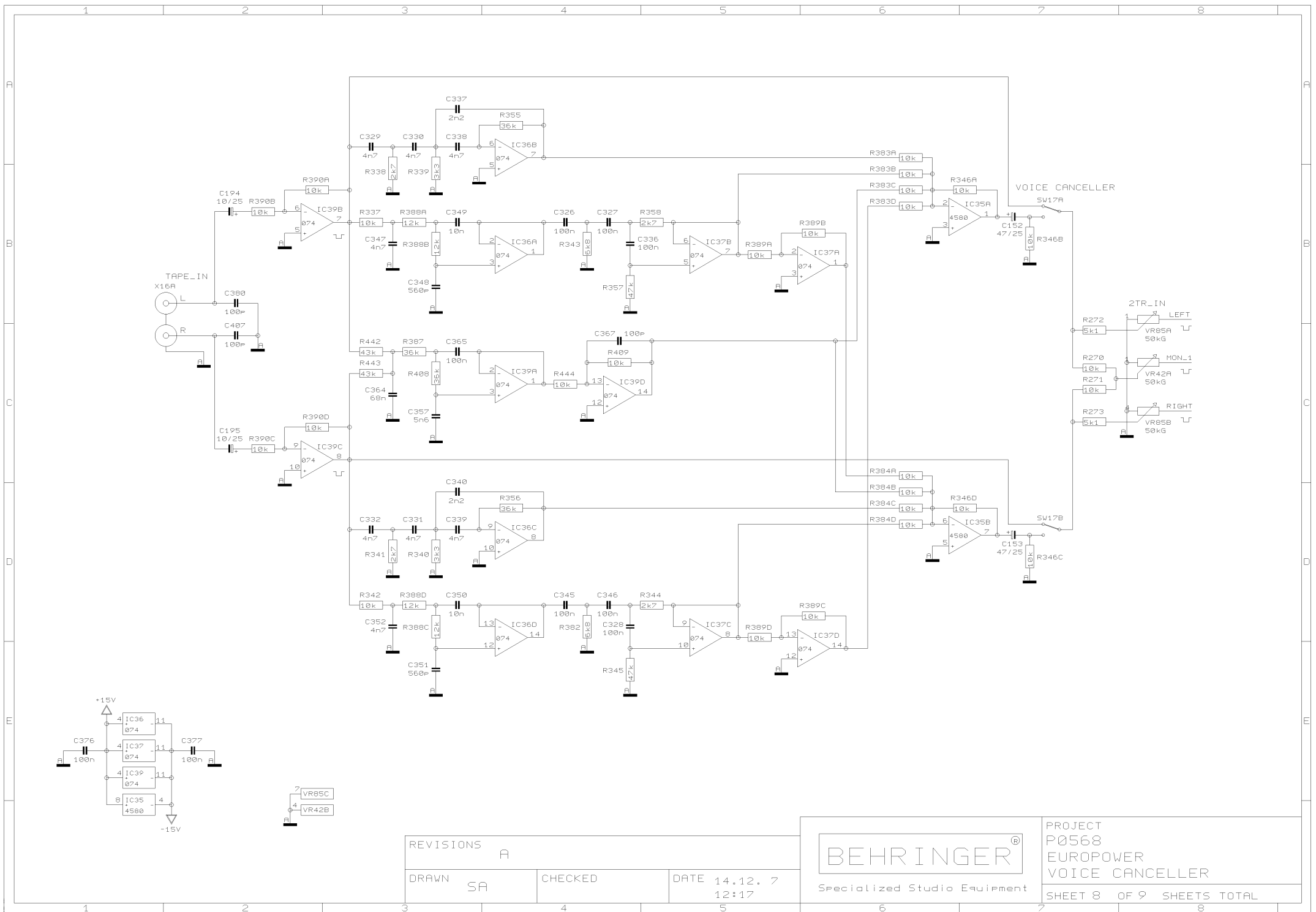
DATE 14.12.7  
12:17

**BEHRINGER**

Specialized Studio Equipment

PROJECT P0568  
EUROPOWER  
SPK PROC/VU/OUT/AUX IN  
SHEET 6 OF 9 SHEETS TOTAL





REVISIONS

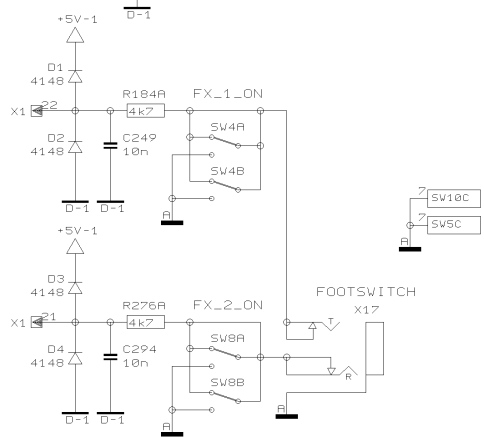
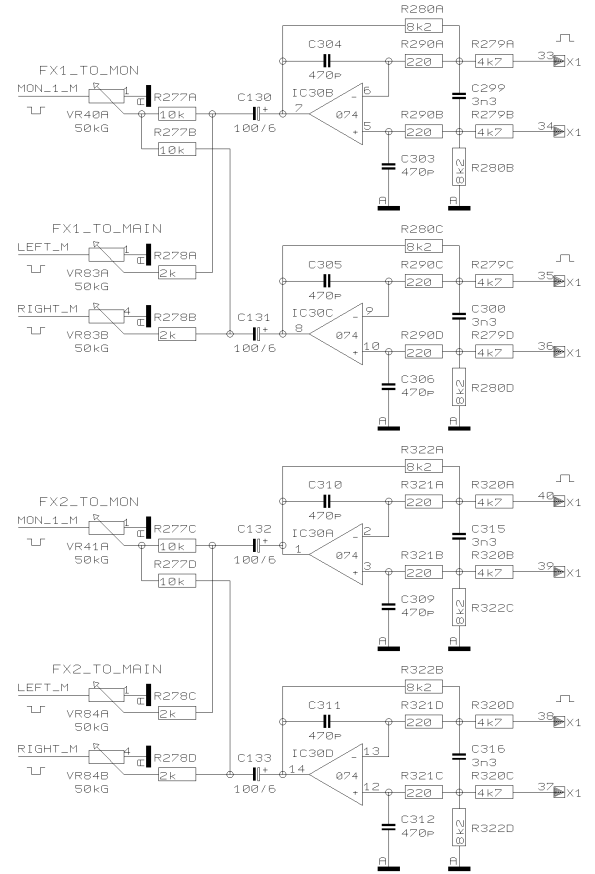
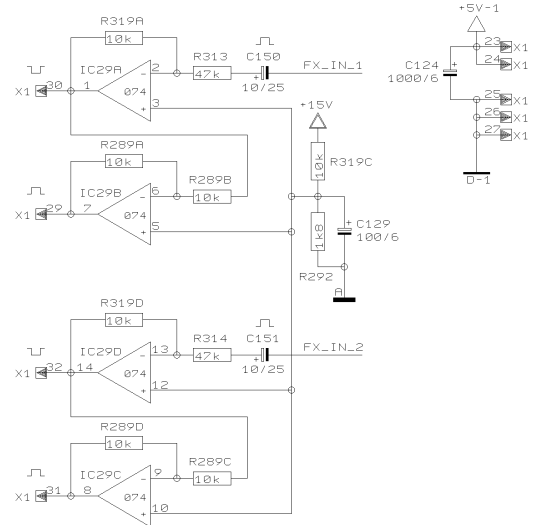
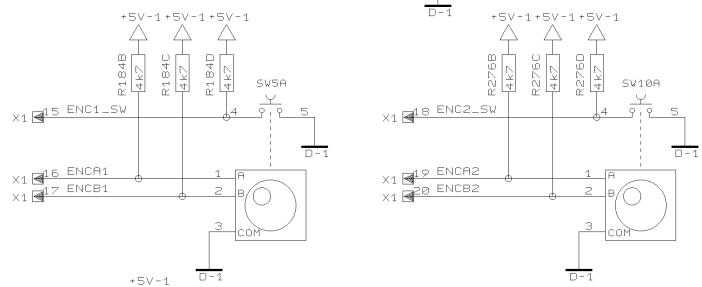
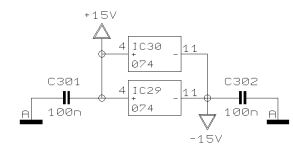
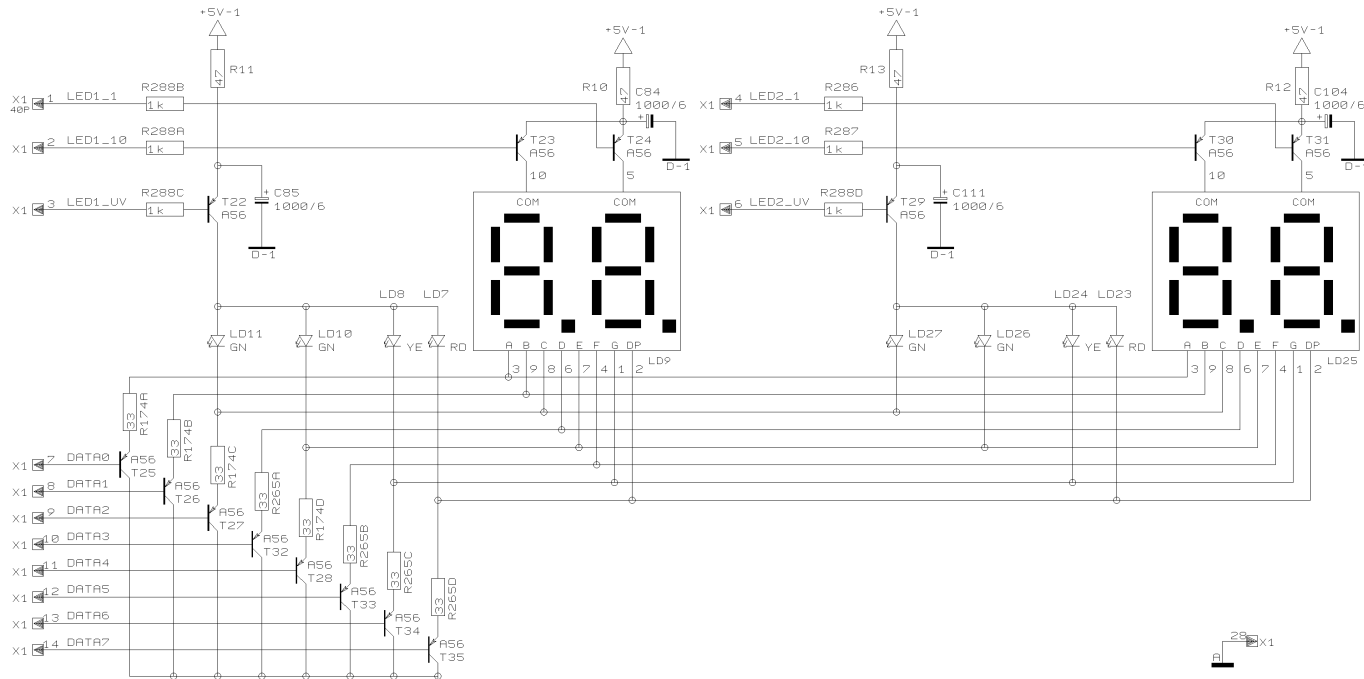
REVISED	A
DRAWN	SA
CHECKED	
DATE	14.12.7 12:17



Specialized Studio Equipment

PROJECT  
P0568  
EUROPOWER  
VOICE CANCELLER  
SHEET 8 OF 9 SHEETS TOTAL



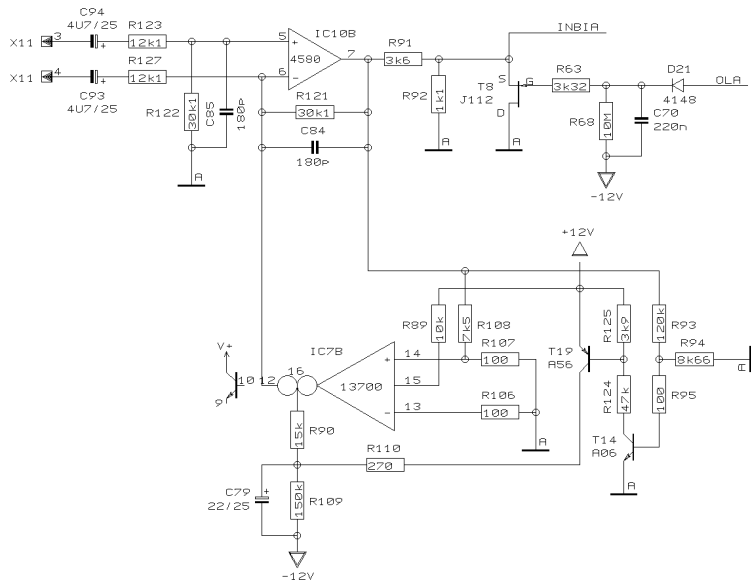


REVISIONS		A	
DRAWN	SA	CHECKED	
DATE		14.12. 7 12:17	

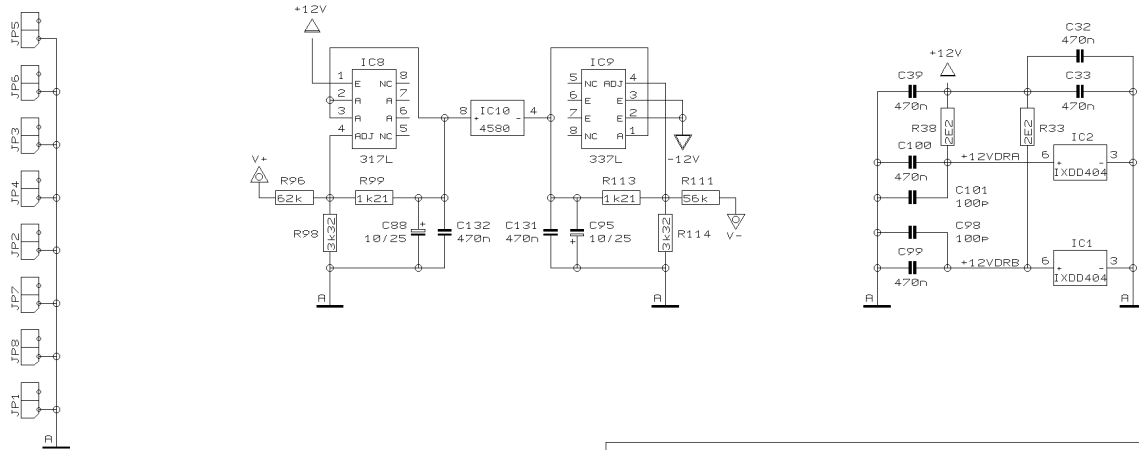
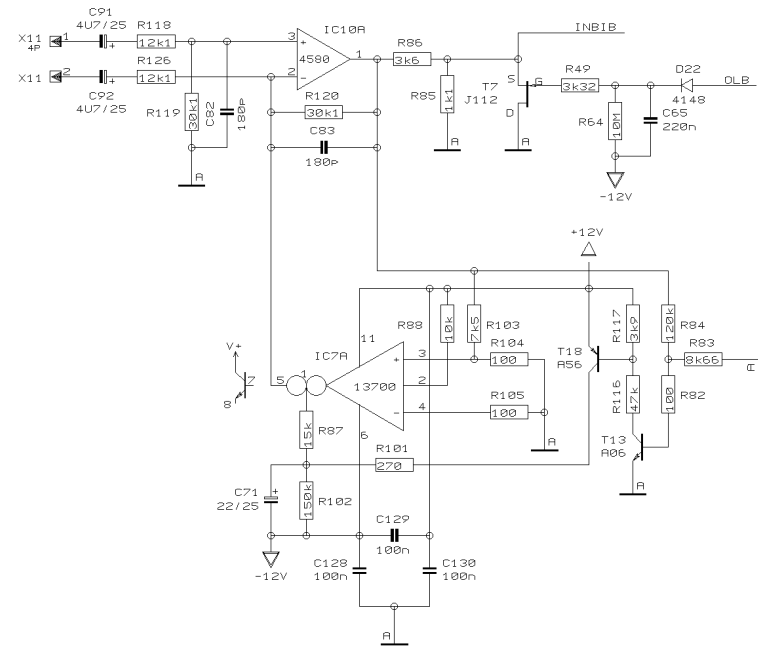


PROJECT  
P0568  
EUROPOWER  
FX SECTION  
SHEET 9 OF 9 SHEETS TOTAL

INPUT A



INPUT B

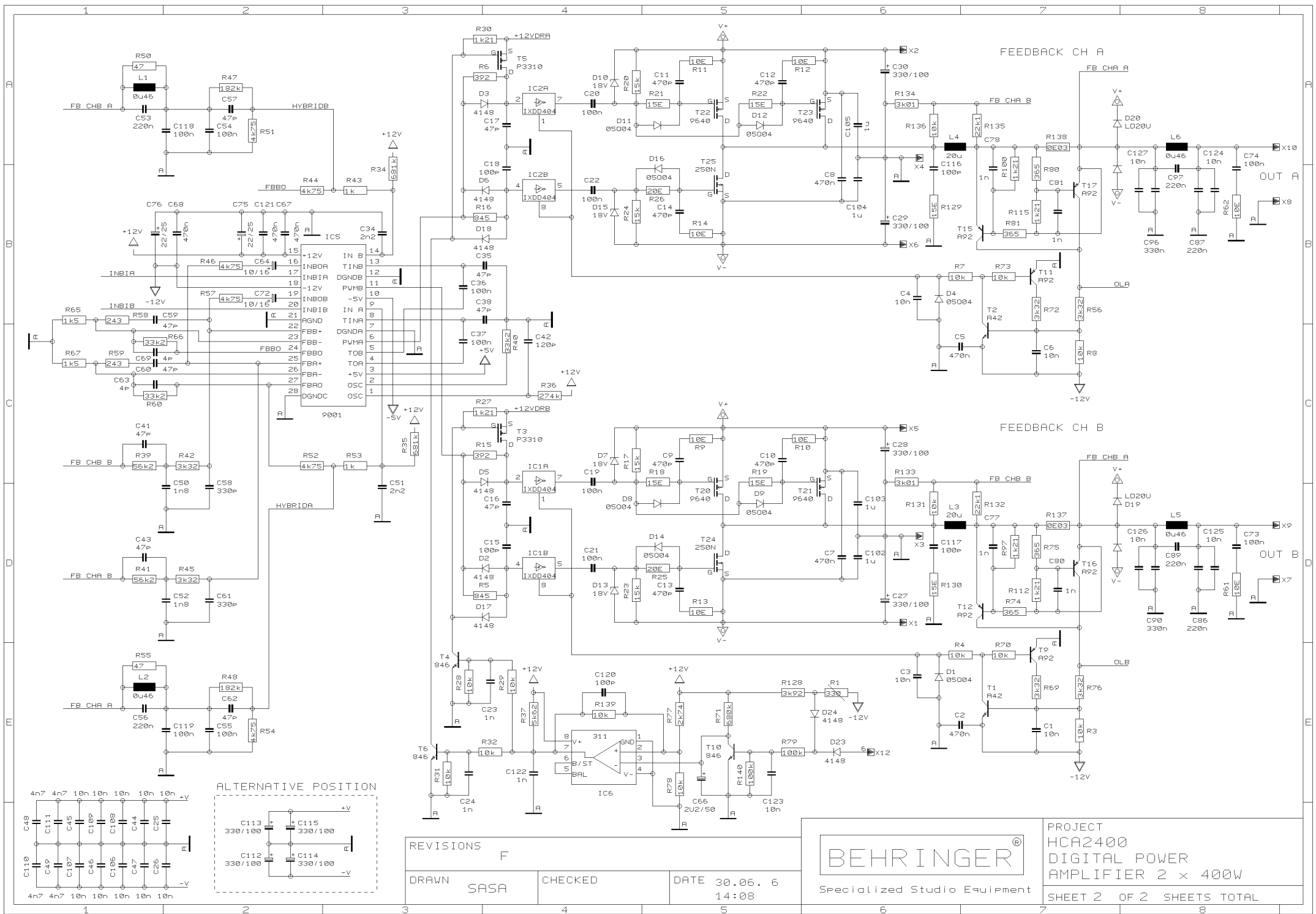


REVISIONS F (08/05/06)

DRAWN SASA CHECKED DATE 30.06. 6 14:08



PROJECT HCA2400  
DIGITAL POWER AMPLIFIER 2 x 400W  
SHEET 1 OF 2 SHEETS TOTAL



REVISIONS  
F

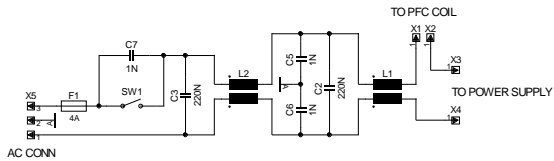
DRAWN  
SASA

CHECKED

DATE 30.06.6  
14:08




PROJECT  
HCA2400  
DIGITAL POWER  
AMPLIFIER 2 x 400W  
SHEET 2 OF 2 SHEETS TOTAL



Alternative Value for 220nF

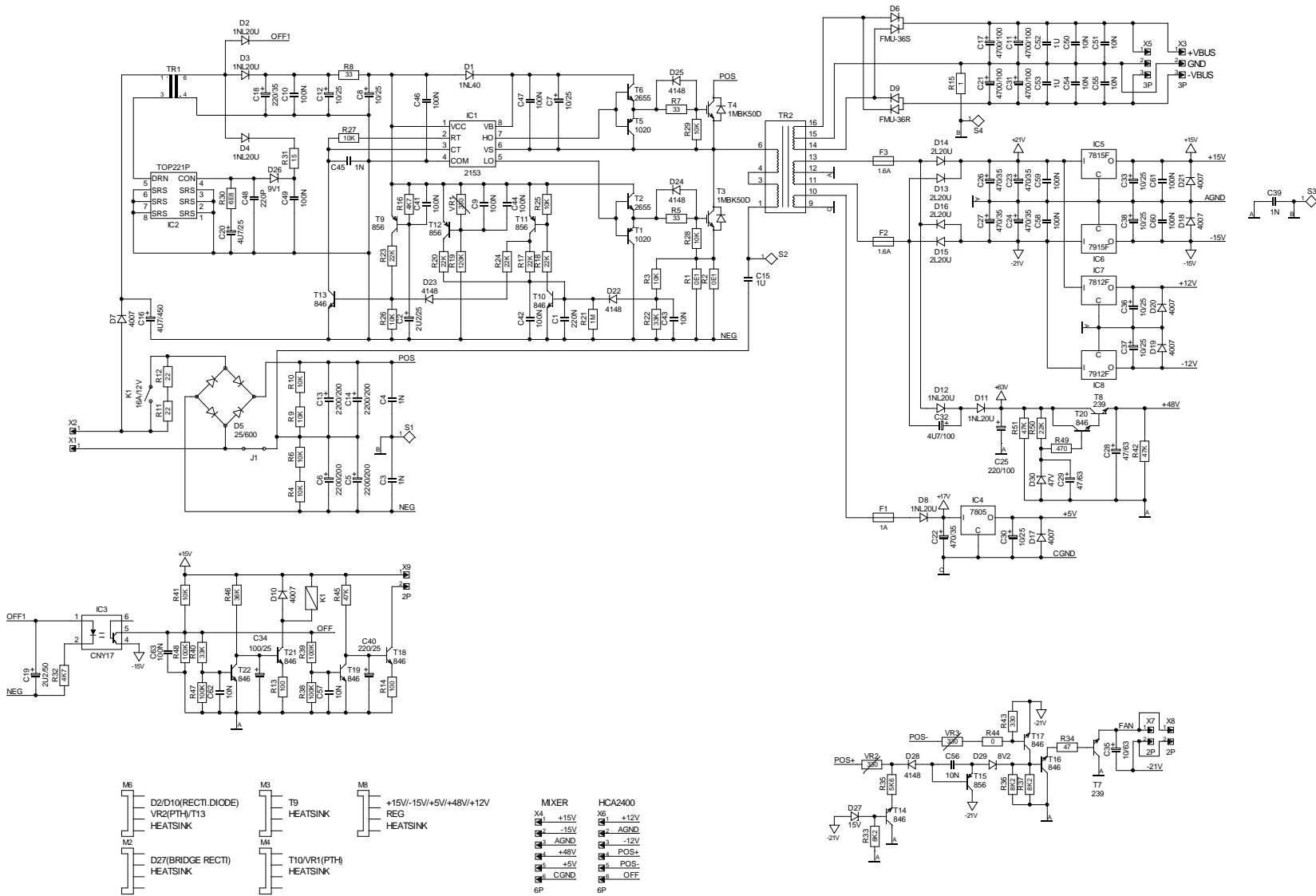


ALL INFORMATION (INCLUDING DRAWINGS AND DIAGRAMS) CONTAINED IN THIS DOCUMENT IS THE PROPERTY OF BEHRINGER. ADDRESSEES WHOM THE INFORMATION IS CONFIDED TO SHALL MAINTAIN THE INFORMATION IN CONFIDENCE AND SHALL NOT RELEASE IT TO ANY UNAUTHORIZED THIRD PARTIES (EXCEPT UNDER ATTORNEY CLIENT PRIVILEGE OR UNDER APPROPRIATE CONFIDENTIALITY AGREEMENTS). ANY UNAUTHORIZED DISCLOSURE, USE, APPLICATION OR ANY OTHER DEALINGS IN THE INFORMATION SHALL RESULT IN CIVIL AND/OR (WHERE APPLICABLE) CRIMINAL LIABILITIES AND PENALTIES.

REV	CHANGES	DATE	INIT	FILE:
C	MODIFIED	151205	SASA	 sps1000_1
B	MODIFIED	210405	SASA	
A	CREATED	201004	LR	

DATE	NAME	SPS1000
DRWN: 2010/04	L.RAMOS	SCHEMATIC
CHKD:		AC_IN
APPR:		

SHEET  
1 OF 1



- M6 D2/D1 (RECT.) DIODE
- M7 VR2 (PTH) T13 HEATSINK
- M8 T9 HEATSINK
- M9 +15V/-15V/+5V/+48V/+12V HEATSINK
- M10 D27 (BRIDGE RECT) HEATSINK
- M11 T10/VR1 (PTH) HEATSINK

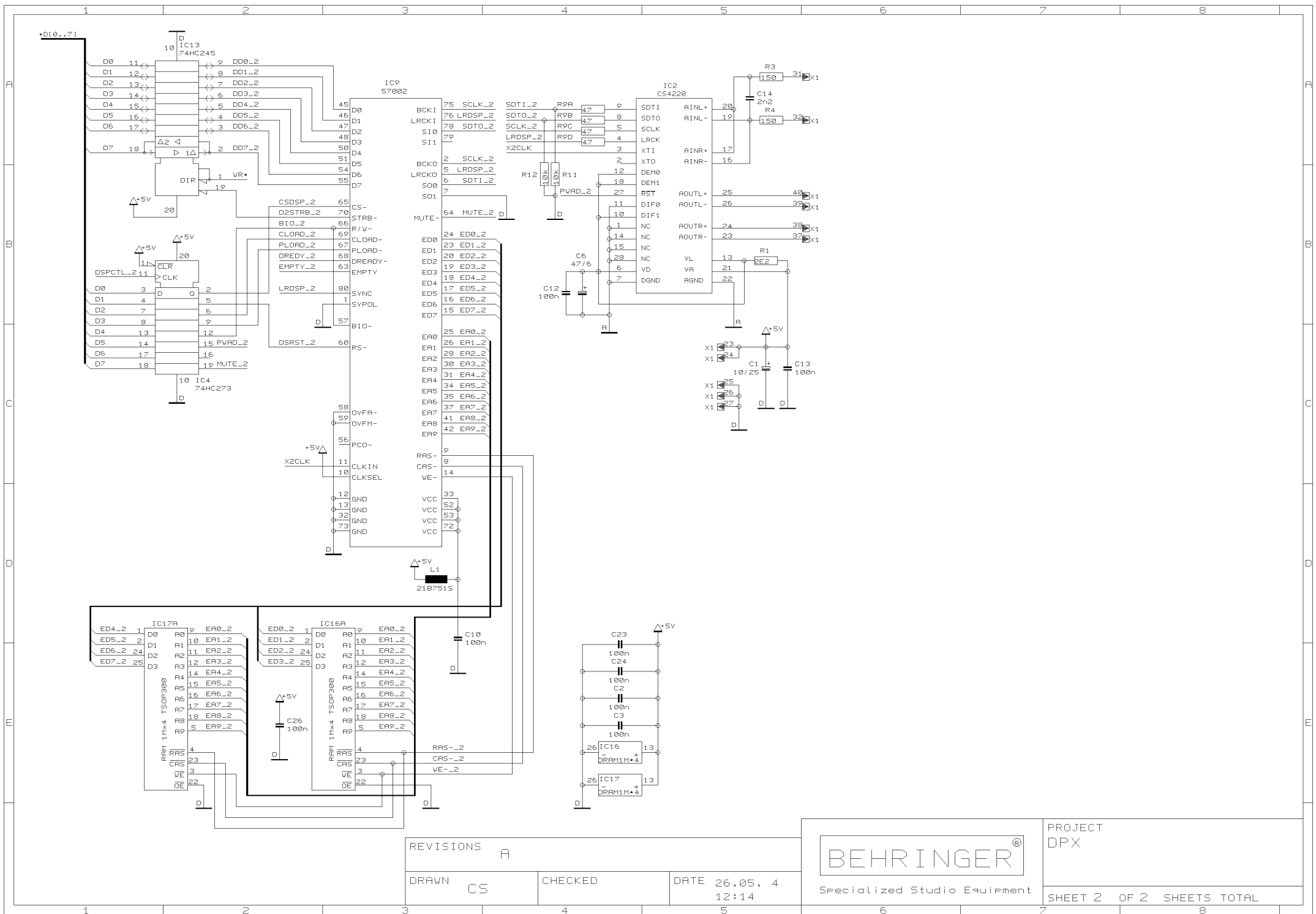
- MIXER HCA2400
- X1 +15V
- X2 -15V
- X3 AGND
- X4 +48V
- X5 +5V
- X6 POS.
- X7 C.GND
- X8 OFF

ALL INFORMATION (INCLUDING DRAWINGS AND DIAGRAMS) CONTAINED IN THIS DOCUMENT IS THE PROPERTY OF BEHRINGER. ADDRESSEES WHOM THE INFORMATION IS CONFIDED TO SHALL MAINTAIN THE INFORMATION IN CONFIDENCE AND SHALL NOT RELEASE IT TO ANY UNAUTHORIZED THIRD PARTIES (EXCEPT UNDER ATTORNEY CLIENT PRIVILEGE OR UNDER APPROPRIATE CONFIDENTIALITY AGREEMENTS). ANY UNAUTHORIZED DISCLOSURE, USE, APPLICATION OR ANY OTHER DEALINGS IN THE INFORMATION SHALL RESULT IN CIVIL AND/OR (WHERE APPLICABLE) CRIMINAL LIABILITIES AND PENALTIES.

REV	CHANGES	DATE	INT	FILE:	DATE	NAME
C	MODIFIED	151205	SASA		2010/04	L.RAMOS
B	MODIFIED	190405	SASA			
A	CREATED	201004	LR			
EV	CHANGES			FILE: sps1000_2		

SPS1000		SHEET 1 OF 1
SCHEMATIC		
MAIN		





REVISIONS A

DRAWN CS

CHECKED

DATE 26.05. 4  
12:14



PROJECT  
DPX  
SHEET 2 OF 2 SHEETS TOTAL