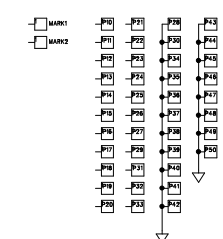


ALL INFORMATION (INCLUDING DRAWINGS AND DIAGRAMS) CONTAINED IN THIS DOCUMENT IS THE PROPERTY OF BEHRINGER ADDRESSEES WHOM THE INFORMATION IS CONFIDED TO SHALL MAINTAIN THE INFORMATION IN CONFIDENCE AND SHALL NOT RELEASE IT TO ANY UNAUTHORIZED THIRD PARTY EXCEPT UNDER ATTORNEY CLIENT PRIVILEGE OR UNDER APPROPRIATE CONFIDENTIALITY AGREEMENTS. ANY UNAUTHORIZED DISCLOSURE, REUSE, APPLICATION OR ANY OTHER DEALINGS IN THE INFORMATION SHALL RESULT IN CIVIL AND/OR WHERE APPLICABLE, CRIMINAL LIABILITIES AND PENAL TIES.



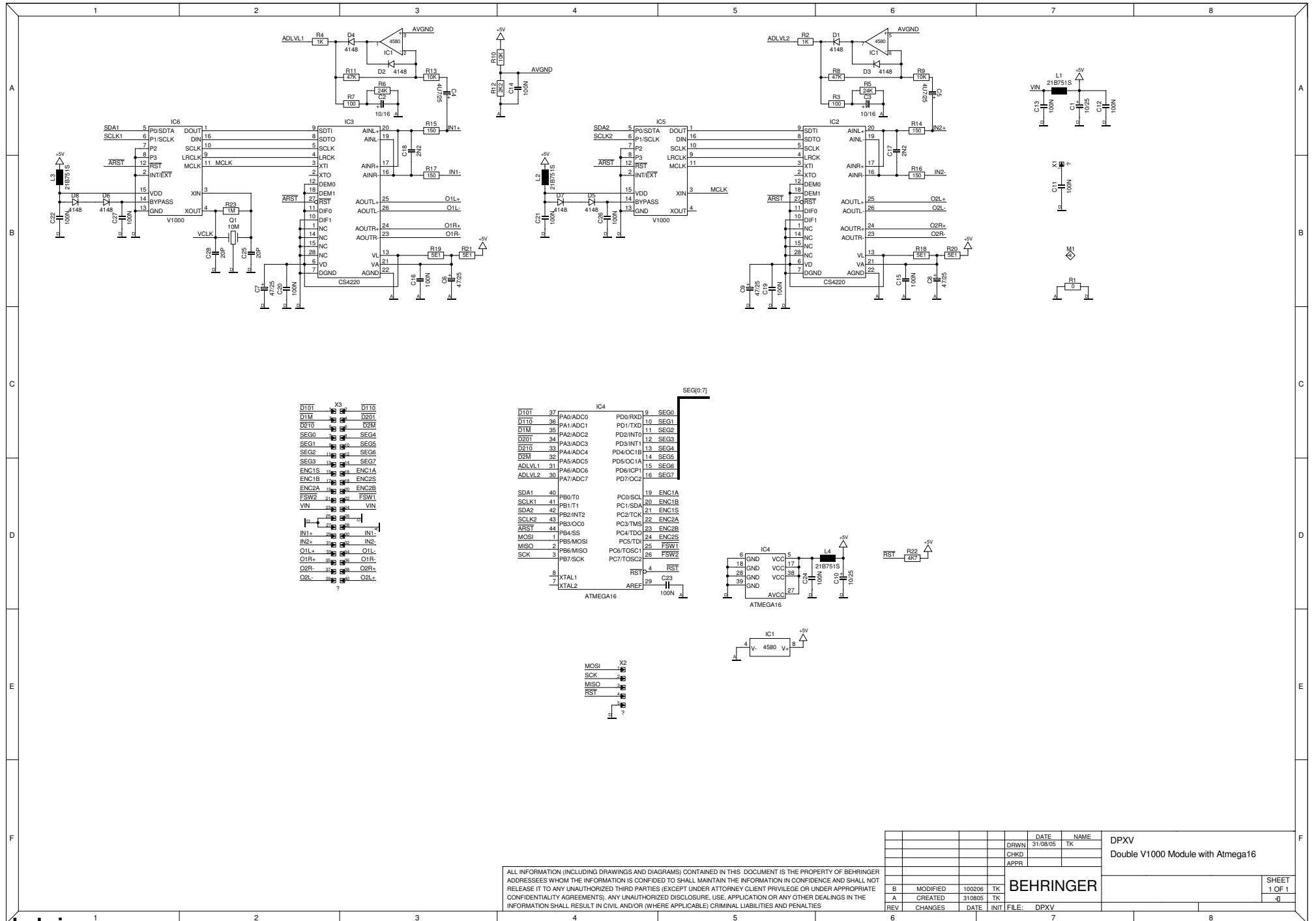
REV	CHG	DATE	INT	FILE	AMP
C	MODIFIED	201009	YD		
B	UPDATED BOARDS	191009	QR		
S	MODIFIED	090909	YD		
A	MODIFIED	010708	YD		

DATE	NAME	P0000(HCA2500)
2009-09-09	DENNY	
	DRWN	
	CHKD	
	APPV	

SHEET	1	OF	1



D10T	X9	D110
D1M	X8	D201
D2T0	X7	D2M
SEG0	X6	SEG4
SEG1	X5	SEG5
SEG2	X4	SEG6
SEG3	X3	SEG7
ENC1S	X2	ENC1A
ENC1B	X1	ENC2S
ENC2A	X0	ENC2B
FSW2	X0	FSW1
VIN	X0	VIN
IN1+	X0	IN1-
IN2+	X0	IN2-
O1R+	X0	O1R-
O2R+	X0	O2R-
O2L+	X0	O2L-

D10T	37	PA0/RXD0	9	SEG0
D110	38	PA1/ADC1	10	SEG1
D1M	39	PA2/ADC2	11	SEG2
D201	30	PA3/ADC3	12	SEG3
D2T0	31	PA4/ADC4	13	SEG4
D2M	32	PA5/ADC5	14	SEG5
ADLV1	31	PA6/ADC6	15	SEG6
ADLV2	30	PA7/ADC7	16	SEG7
SDA1	40	PB0/T0	19	ENC1A
SCLK1	41	PB1/T1	20	ENC1B
SDA2	42	PC0/SDA	21	ENC1S
SCLK2	43	PC2/T0A	22	ENC2A
ARST	44	PC3/TMS	23	ENC2B
MOSI	45	PC4/TDC	24	ENC2S
MISO	46	PC5/TDI	25	FSW1
SCK	47	PC6/TOSC1	26	FSW2
XTAL1	8	PC7/TOSC2	27	FSW2
XTAL2	9	RST	4	RST
AREF	29	C23	100N	

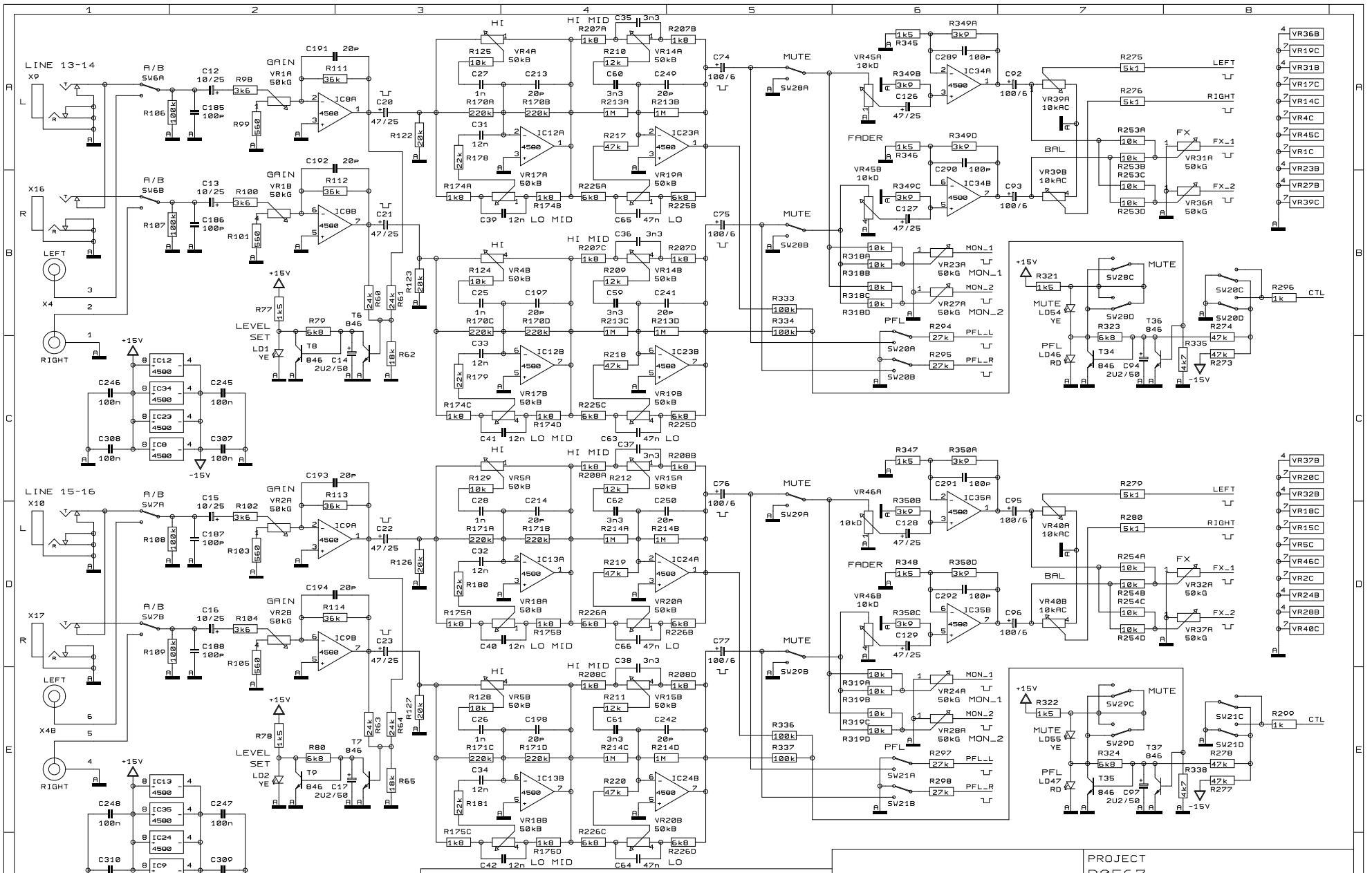
ALL INFORMATION (INCLUDING DRAWINGS AND DIAGRAMS) CONTAINED IN THIS DOCUMENT IS THE PROPERTY OF BEHRINGER ADDRESSEES WHOM THE INFORMATION IS CONFIDED TO SHALL MAINTAIN THE INFORMATION IN CONFIDENCE AND SHALL NOT RELEASE IT TO ANY UNAUTHORIZED THIRD PARTIES (EXCEPT UNDER ATTORNEY CLIENT PRIVILEGE OR UNDER APPROPRIATE CONFIDENTIALITY AGREEMENTS). ANY UNAUTHORIZED DISCLOSURE, USE, APPLICATION OR ANY OTHER DEALINGS IN THE INFORMATION SHALL RESULT IN CIVIL AND/OR (WHERE APPLICABLE) CRIMINAL LIABILITIES AND PENALTIES

DATE	31/08/05	NAME	TK
DRWN		CHKD	
APPR			
REV	B	MODIFIED	100206 TK
CHANGES	A	CREATED	310805 TK
FILE:	DPXV		

DPXV  
Double V1000 Module with Atmega16

BEHRINGER

SHEET  
1 OF 1



REVISIONS F (23/08/05)

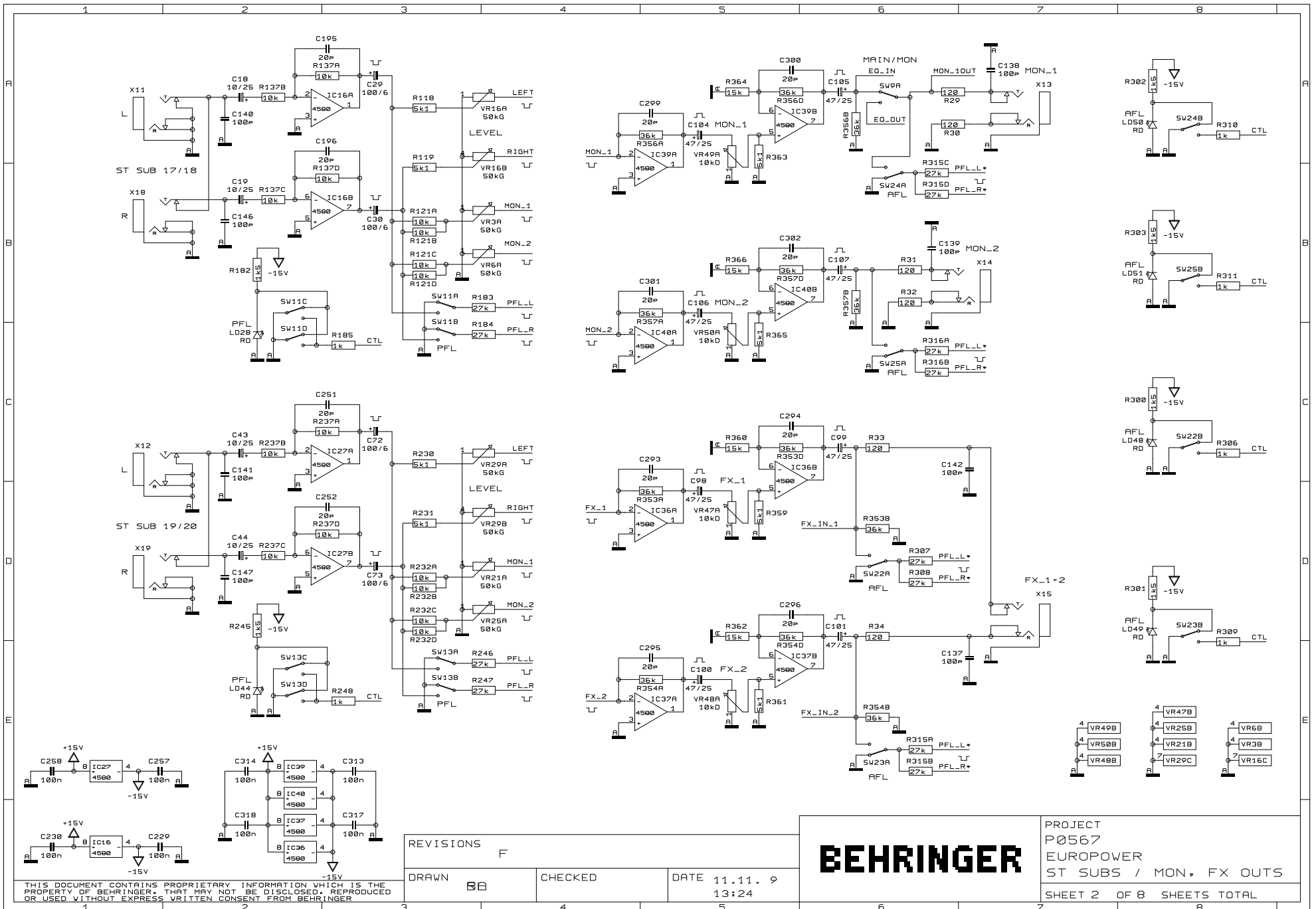
DRAWN SA CHECKED DATE 11.11. 9

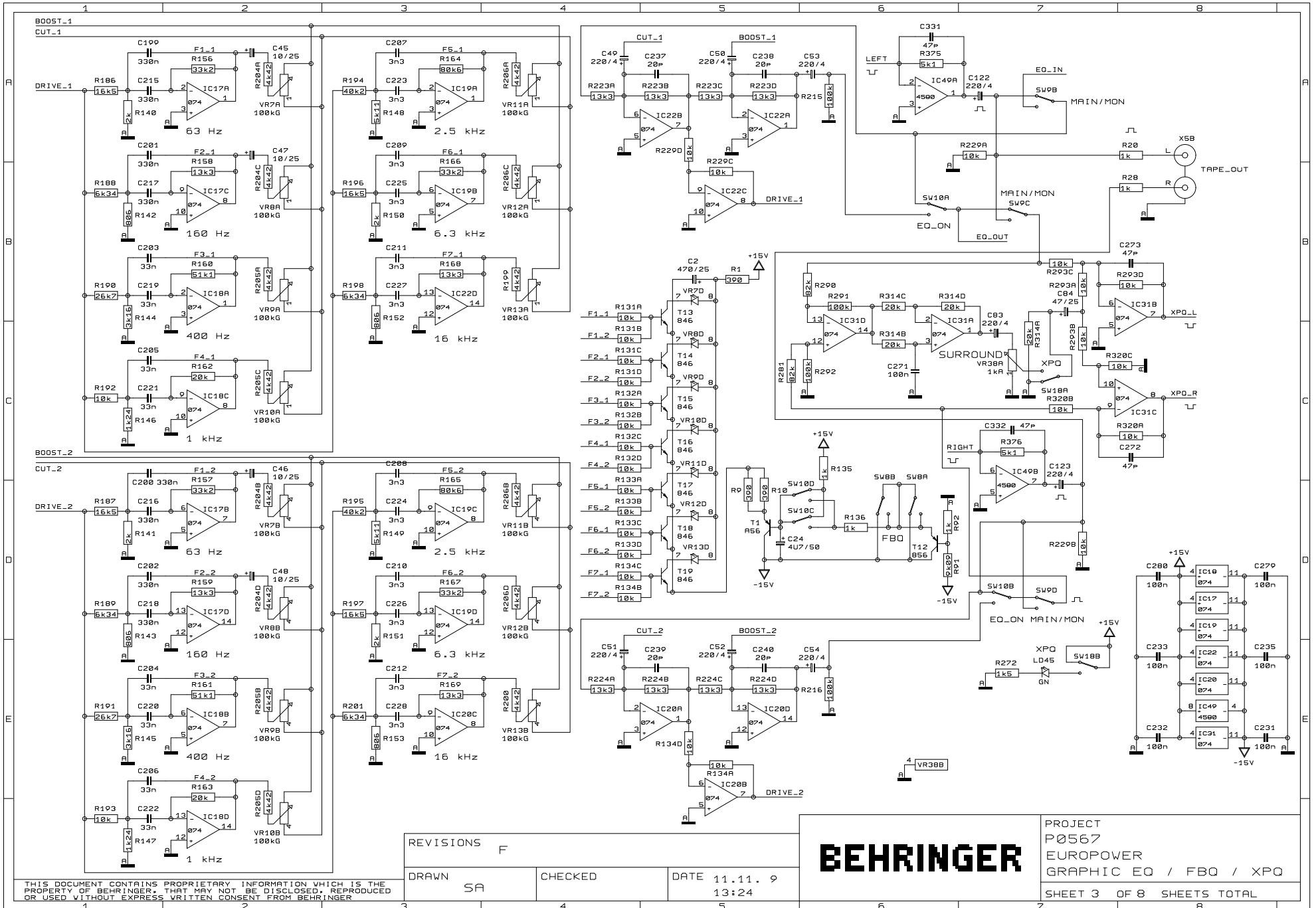
13:24

**BEHRINGER**

PROJECT P0567  
EUROPOWER  
STEREO CHANNEL 13-16  
SHEET 1 OF 8 SHEETS TOTAL

THIS DOCUMENT CONTAINS PROPRIETARY INFORMATION WHICH IS THE PROPERTY OF BEHRINGER. THAT MAY NOT BE DISCLOSED, REPRODUCED OR USED WITHOUT EXPRESS WRITTEN CONSENT FROM BEHRINGER



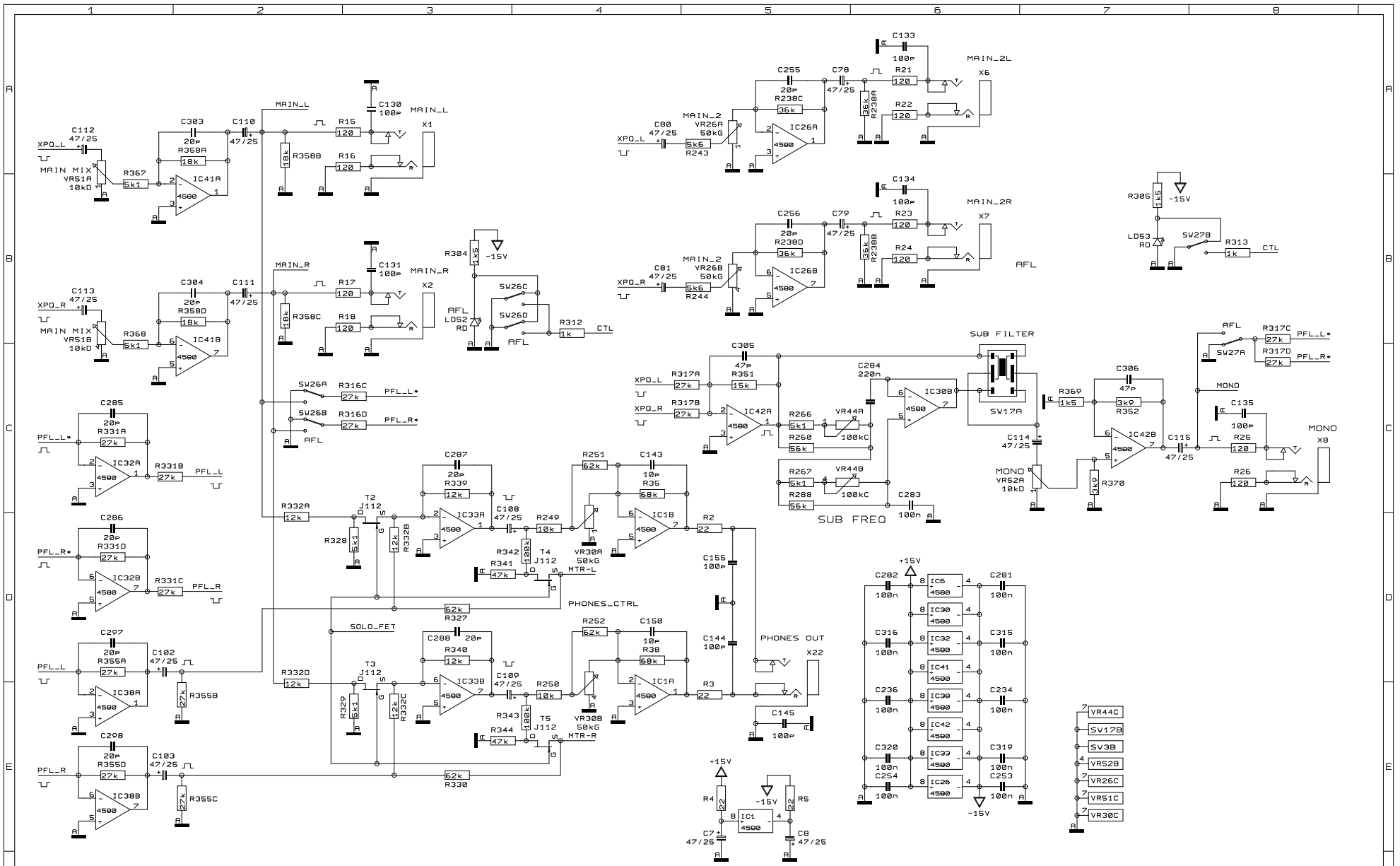


THIS DOCUMENT CONTAINS PROPRIETARY INFORMATION WHICH IS THE PROPERTY OF BEHRINGER. THAT MAY NOT BE DISCLOSED, REPRODUCED OR USED WITHOUT EXPRESS WRITTEN CONSENT FROM BEHRINGER

REVISIONS	F
DRAWN	SA
CHECKED	
DATE	11.11. 9 13:24

**BEHRINGER**

PROJECT  
P0567  
EUROPOWER  
GRAPHIC EQ / FBQ / XPO  
SHEET 3 OF 8 SHEETS TOTAL

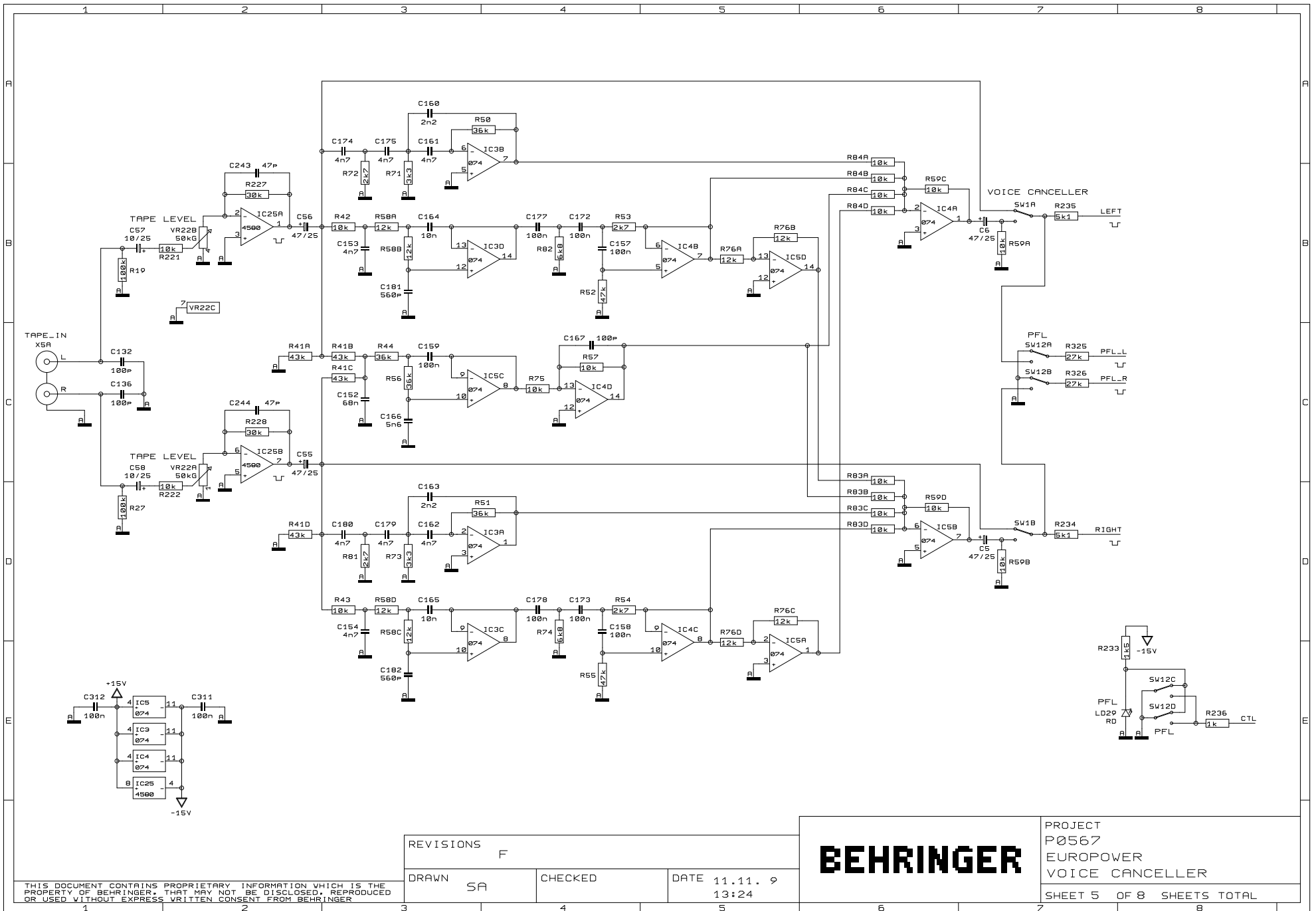


REVISIONS	F
DRAWN	SA
CHECKED	
DATE	11.11. 9 13:24

**BEHRINGER**

PROJECT  
P0567  
EUROPOWER  
MAIN SECTION  
SHEET 4 OF 8 SHEETS TOTAL

THIS DOCUMENT CONTAINS PROPRIETARY INFORMATION WHICH IS THE PROPERTY OF BEHRINGER. THAT MAY NOT BE DISCLOSED, REPRODUCED OR USED WITHOUT EXPRESS WRITTEN CONSENT FROM BEHRINGER



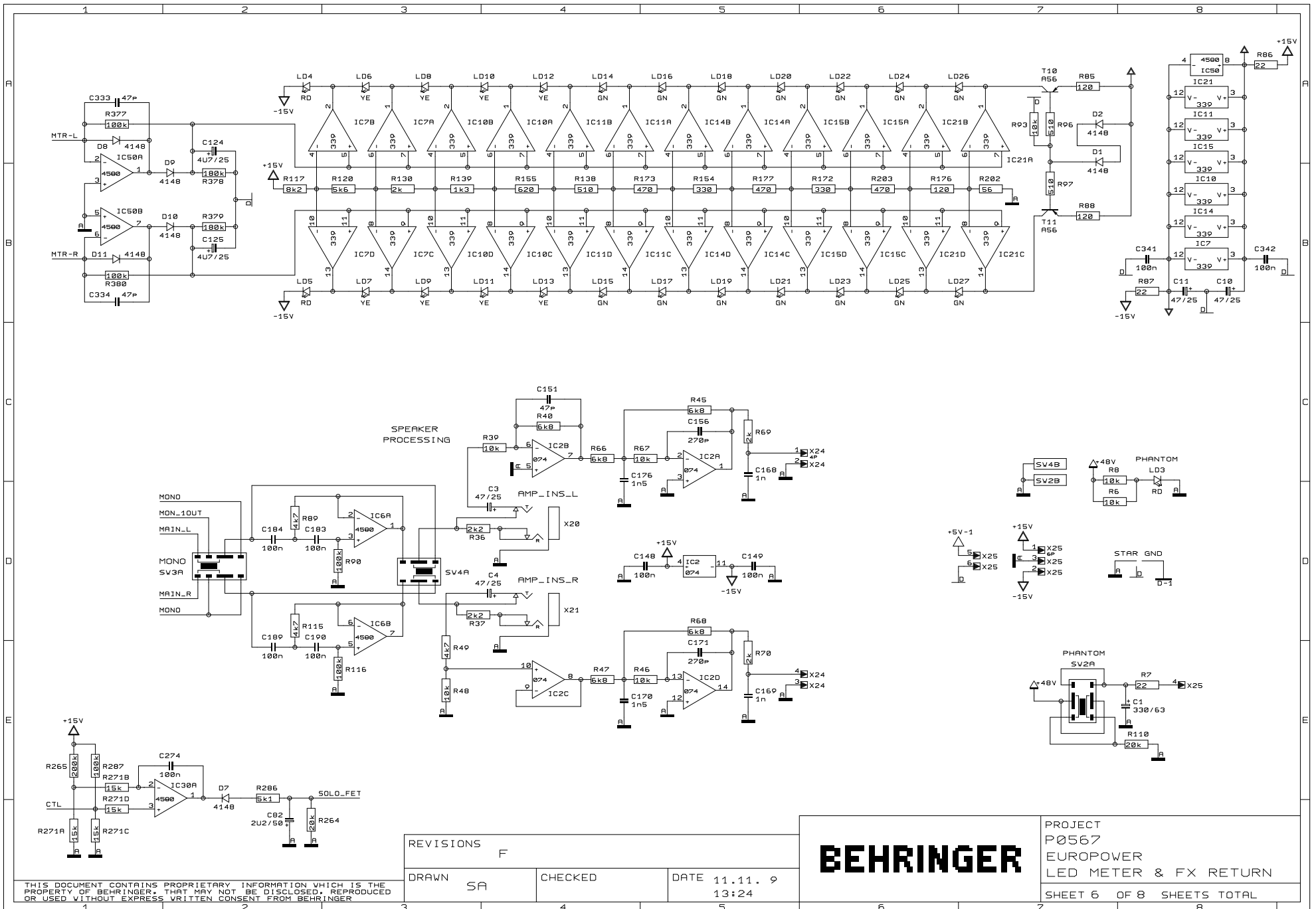
REVISIONS		
F		

DRAWN	SA	CHECKED	DATE
			11.11. 9 13:24

**BEHRINGER**

PROJECT  
P0567  
EUROPOWER  
VOICE CANCELLER  
SHEET 5 OF 8 SHEETS TOTAL

THIS DOCUMENT CONTAINS PROPRIETARY INFORMATION WHICH IS THE PROPERTY OF BEHRINGER. THAT MAY NOT BE DISCLOSED, REPRODUCED OR USED WITHOUT EXPRESS WRITTEN CONSENT FROM BEHRINGER



REVISIONS  
F

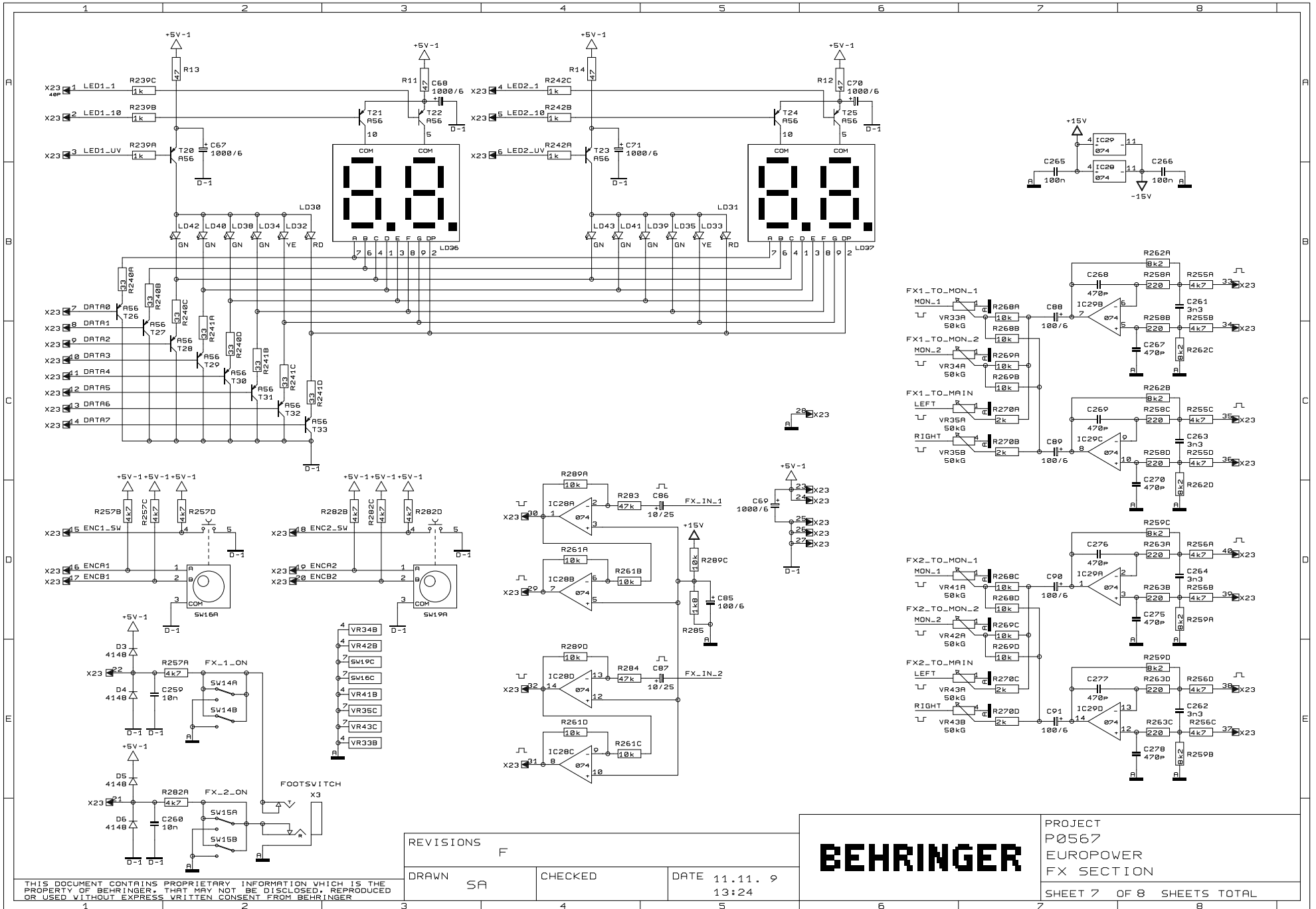
DRAWN SA      CHECKED      DATE 11.11. 9  
13:24

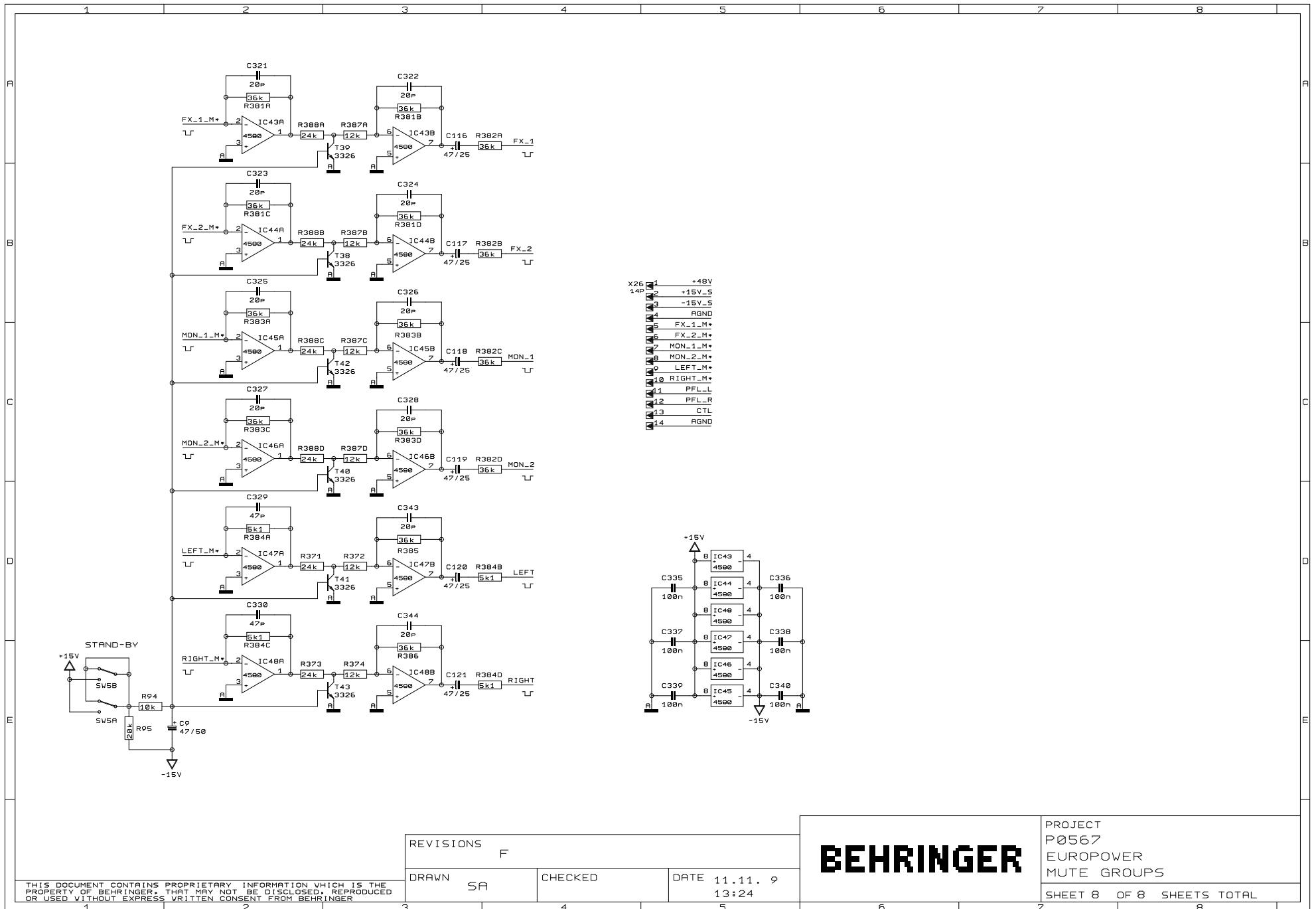
**BEHRINGER**

PROJECT  
P0567  
EUROPOWER  
LED METER & FX RETURN  
SHEET 6 OF 8 SHEETS TOTAL

THIS DOCUMENT CONTAINS PROPRIETARY INFORMATION WHICH IS THE PROPERTY OF BEHRINGER. THAT MAY NOT BE DISCLOSED, REPRODUCED OR USED WITHOUT EXPRESS WRITTEN CONSENT FROM BEHRINGER





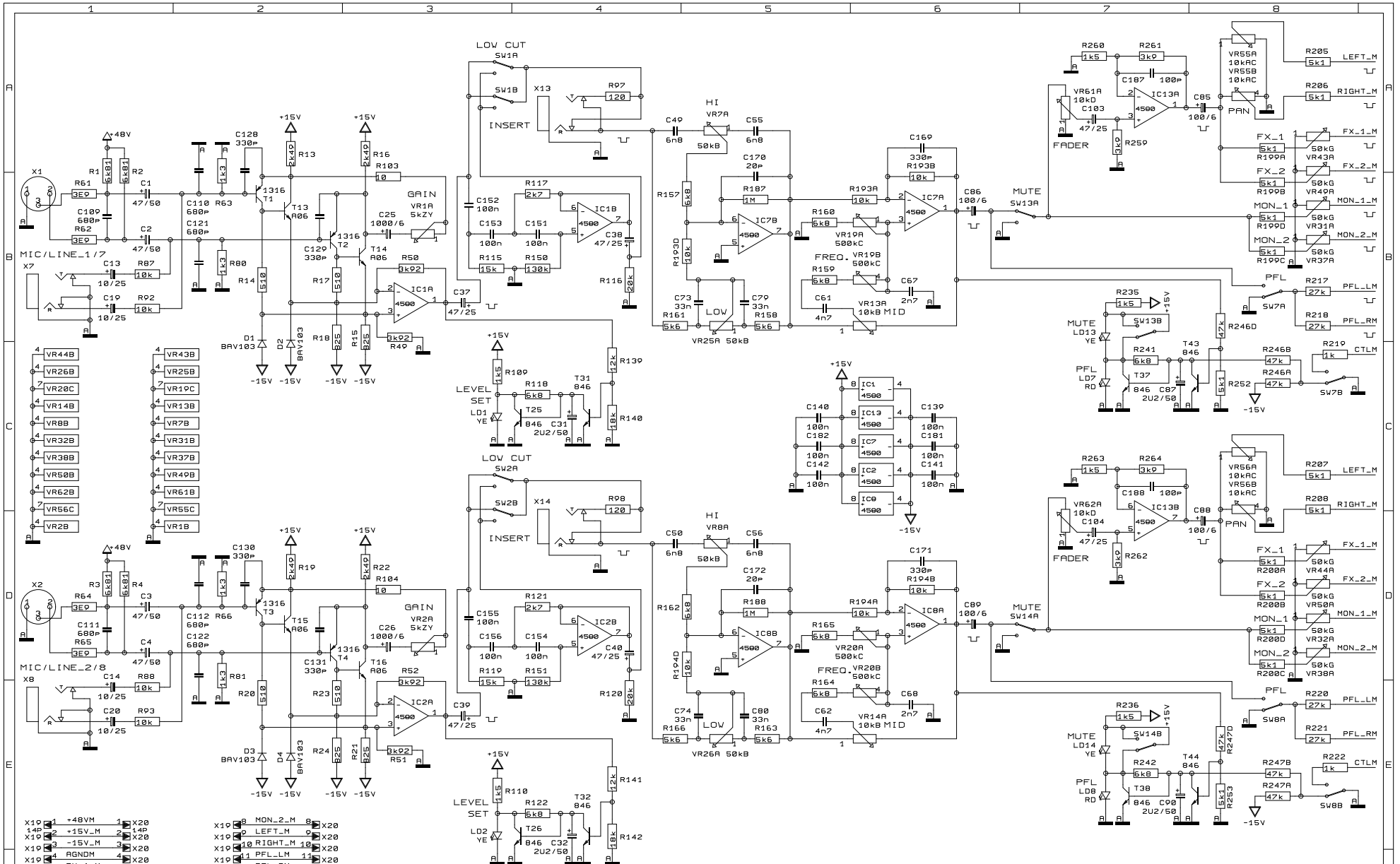


REVISIONS		
F		
DRAWN	CHECKED	DATE
SA		11.11. 9
		13:24

**BEHRINGER**

PROJECT  
P0567  
EUROPOWER  
MUTE GROUPS  
SHEET 8 OF 8 SHEETS TOTAL

THIS DOCUMENT CONTAINS PROPRIETARY INFORMATION WHICH IS THE PROPERTY OF BEHRINGER. THAT MAY NOT BE DISCLOSED, REPRODUCED OR USED WITHOUT EXPRESS WRITTEN CONSENT FROM BEHRINGER



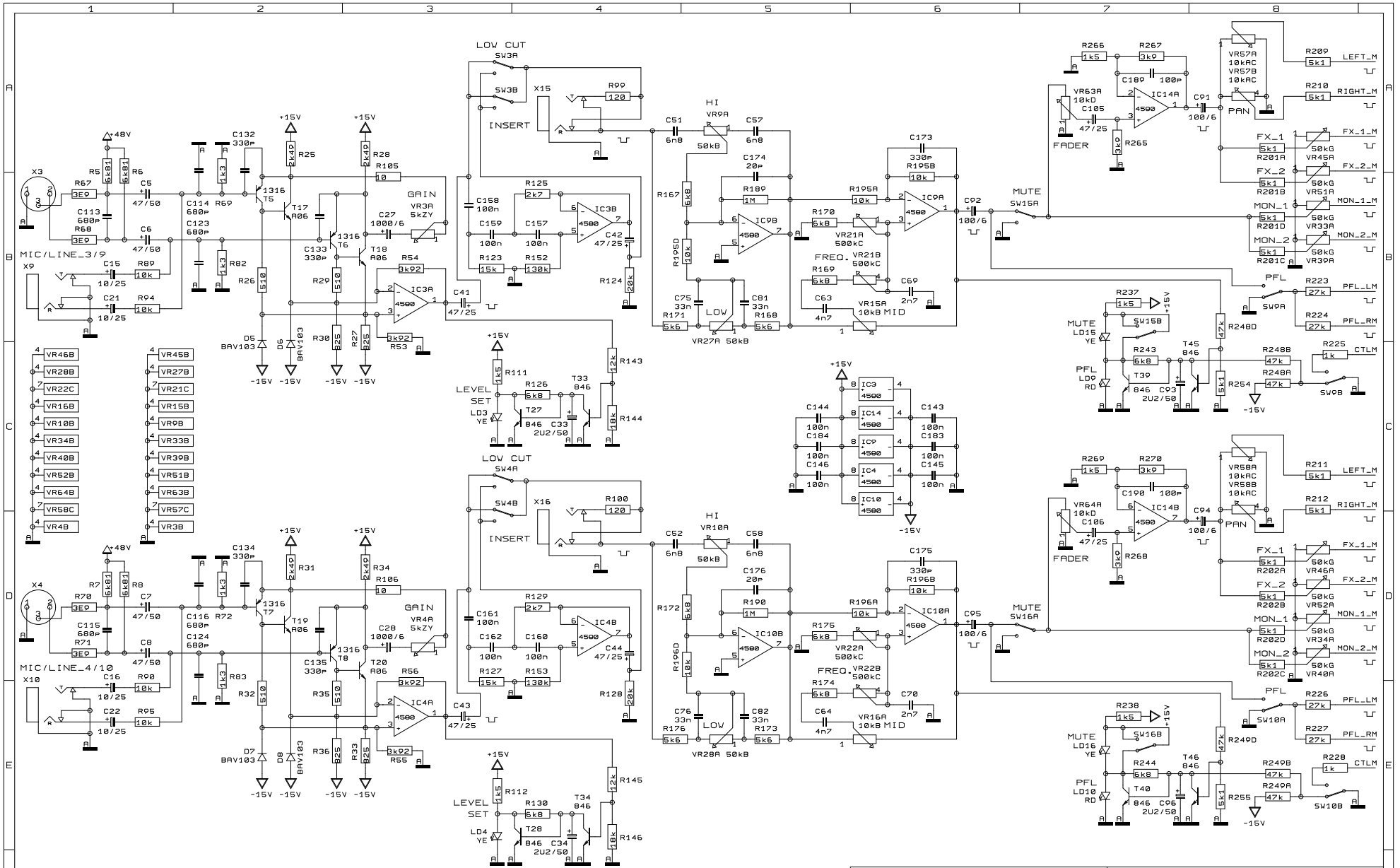
- X19 1 +48VM 1 X20
- X14 2 +15V\_M 2 X20
- X10 3 -15V\_M 3 X20
- X10 4 RGNDM 4 X20
- X10 5 FX\_1\_M 5 X20
- X10 6 FX\_2\_M 6 X20
- X10 7 MON\_1\_M 7 X20
- X10 8 MON\_2\_M 8 X20
- X10 9 LEFT\_M 9 X20
- X10 10 RIGHT\_M 10 X20
- X10 11 PFL\_LM 11 X20
- X10 12 PFL\_RM 12 X20
- X10 13 CTLM 13 X20
- X10 14 RGNDM 14 X20

REVISIONS C (07/09/04)

DRAWN SA CHECKED DATE 11.11. 9 14:03

**BEHRINGER**

PROJECT P0567-02  
 EUROPOWER MONO CHANNEL 1/7-2/8  
 SHEET 1 OF 3 SHEETS TOTAL

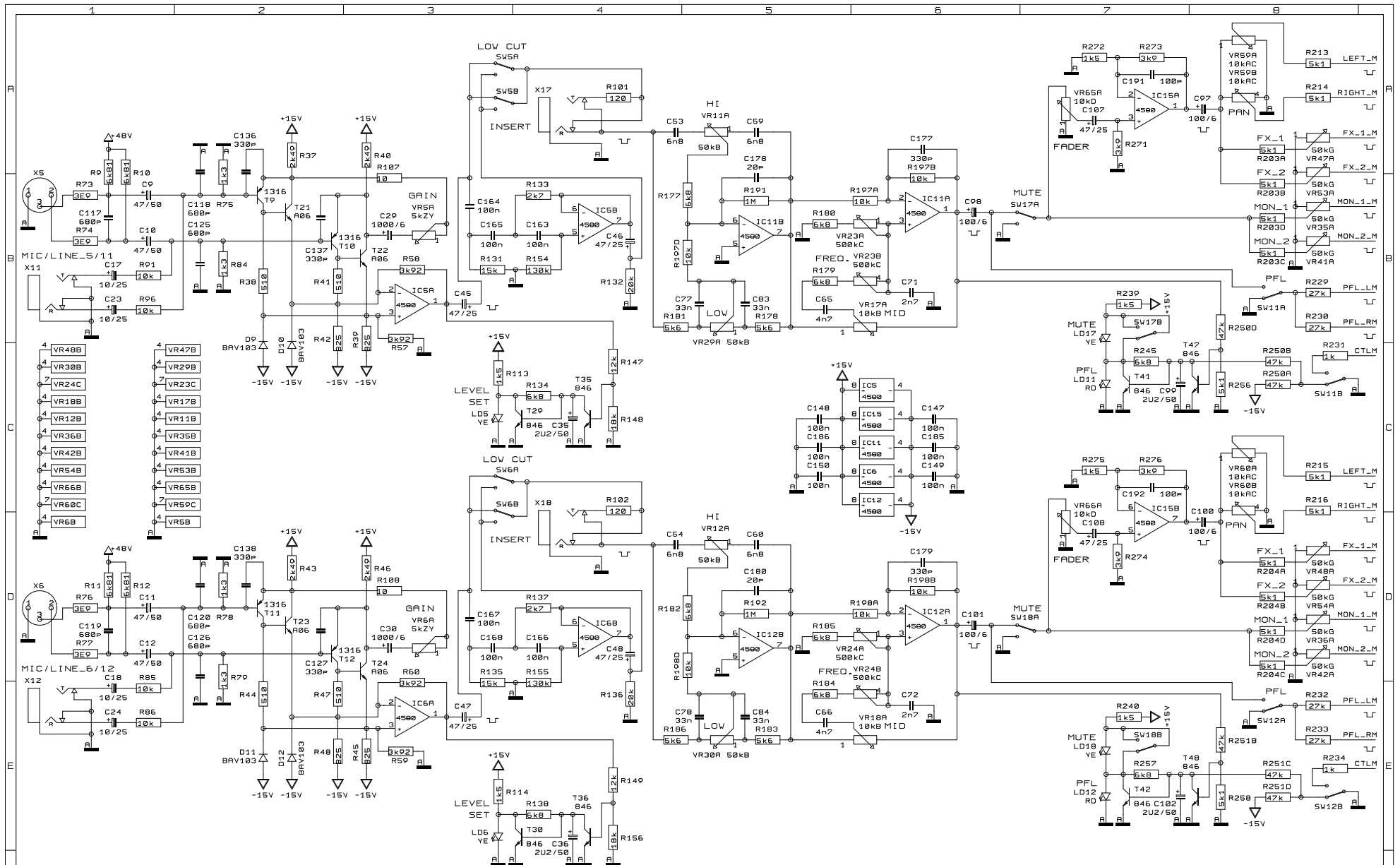


REVISIONS		
C		
DRAWN	CHECKED	DATE
SA		11.11. 9
		14:03

**BEHRINGER**

PROJECT  
P0567-02  
EUROPOWER  
MONO CHANNEL 3/9-4/10  
SHEET 2 OF 3 SHEETS TOTAL

THIS DOCUMENT CONTAINS PROPRIETARY INFORMATION WHICH IS THE PROPERTY OF BEHRINGER. THAT MAY NOT BE DISCLOSED, REPRODUCED OR USED WITHOUT EXPRESS WRITTEN CONSENT FROM BEHRINGER



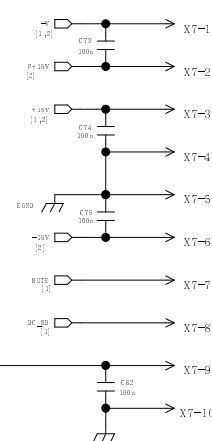
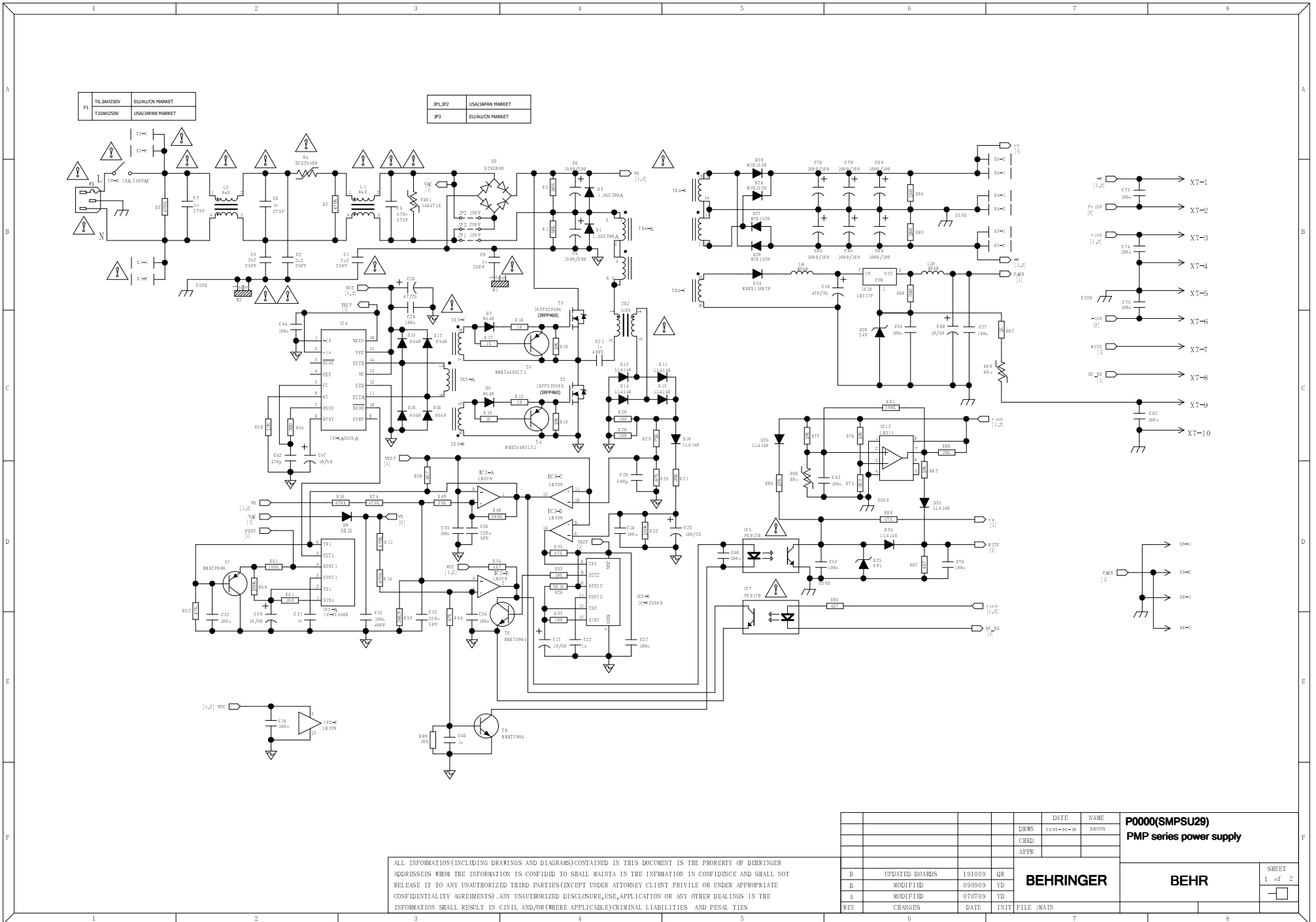
REVISIONS		
C		
DRAWN	CHECKED	DATE
SA		11.11. 9
		14:03

# BEHRINGER

PROJECT  
P0567-02  
EUROPOWER  
MONO CHANNEL 5/11-6/12

SHEET 3 OF 3 SHEETS TOTAL

THIS DOCUMENT CONTAINS PROPRIETARY INFORMATION WHICH IS THE PROPERTY OF BEHRINGER. THAT MAY NOT BE DISCLOSED, REPRODUCED OR USED WITHOUT EXPRESS WRITTEN CONSENT FROM BEHRINGER

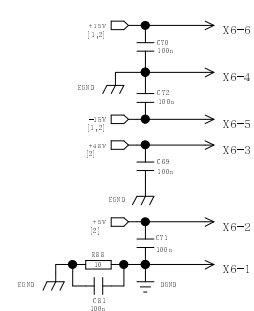
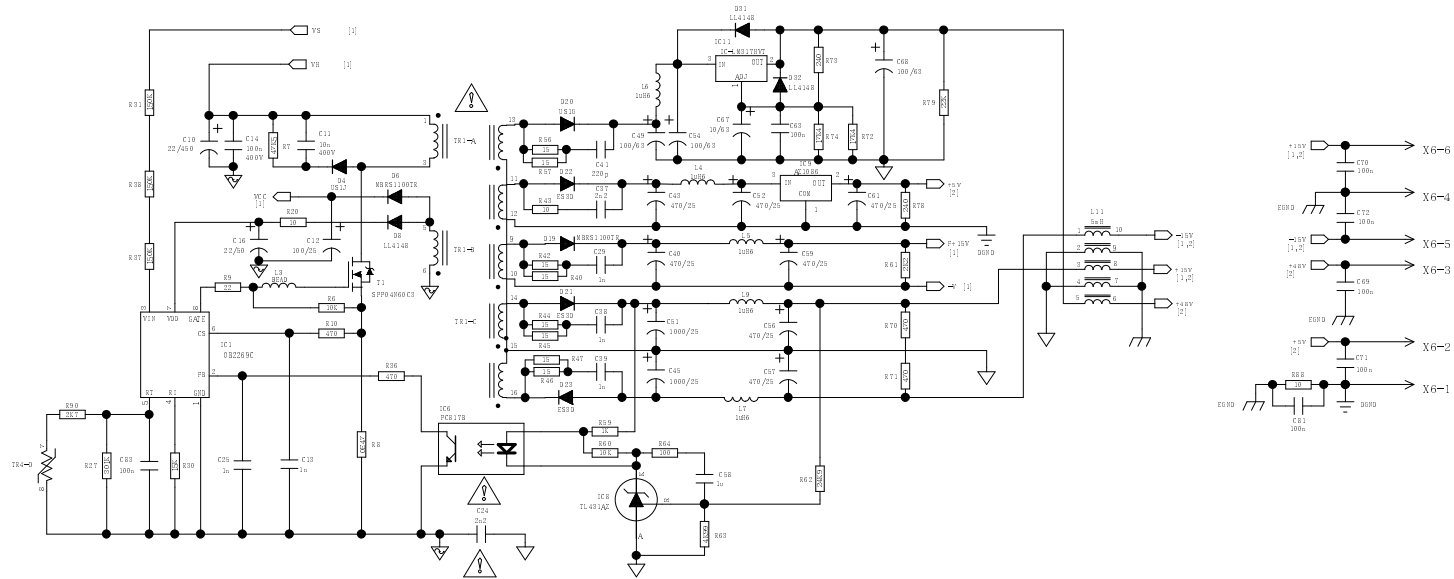


ALL INFORMATION (INCLUDING DRAWINGS AND DIAGRAMS) CONTAINED IN THIS DOCUMENT IS THE PROPERTY OF BEHRINGER ADDRESSEES WHOM THE INFORMATION IS CONFIDED TO SHALL MAINTAIN THE INFORMATION IN CONFIDENCE AND SHALL NOT RELEASE IT TO ANY UNAUTHORIZED THIRD PARTIES (EXCEPT UNDER ATTORNEY CLIENT PRIVILEGE OR UNDER APPROPRIATE CONFIDENTIALITY AGREEMENTS). ANY UNAUTHORIZED DISCLOSURE, USE, APPLICATION OR ANY OTHER DEALINGS IN THE INFORMATION SHALL RESULT IN CIVIL AND/OR (WHERE APPLICABLE) CRIMINAL LIABILITIES AND PENAL TIES

REV	CHANGES	DATE	INIT	FILE	NAME	DATE	NAME
B	UPDATED BOARDS	191009	QR				
B	MODIFIED	090909	YD				
A	MODIFIED	070709	YD				
REV	CHANGES	DATE	INIT	FILE	:MAIN		

P0000(SMPSU29)		SHEET	
PMP series power supply		1 of 2	
BEHRINGER		BEHR	



- SC1
- SC2
- SC3
- SC4
- SC5
- SC6
- SC7
- SC8
- SC9
- SC10
- SC11
- SC12
- SC13
- SC14
- SC15
- SC16
- SC17
- SC18
- SC19
- SC20
- SC21
- SC22
- SC23
- SC24
- SC25
- SC26
- SC27
- SC28
- SC29
- SC30
- SC31
- SC32
- SC33
- SC34
- SC35
- SC36
- SC37
- SC38
- SC39
- SC40
- SC41
- SC42
- SC43
- SC44
- SC45
- SC46
- SC47
- SC48
- SC49
- SC50
- SC51
- SC52
- SC53
- SC54
- SC55
- SC56
- SC57
- SC58
- SC59
- SC60
- SC61
- SC62
- SC63
- SC64
- SC65
- SC66
- SC67
- SC68
- SC69
- SC70
- SC71
- SC72
- SC73
- SC74
- SC75
- SC76
- SC77
- SC78
- SC79
- SC80
- SC81
- SC82
- SC83
- SC84
- SC85
- SC86
- SC87
- SC88
- SC89
- SC90
- SC91
- SC92
- SC93
- SC94
- SC95
- SC96
- SC97
- SC98
- SC99
- SC100

ALL INFORMATION (INCLUDING DRAWINGS AND DIAGRAMS) CONTAINED IN THIS DOCUMENT IS THE PROPERTY OF BEHRINGER ADDRESSEES WHOM THE INFORMATION IS CONFIDED TO SHALL MAINTAIN THE INFORMATION IN CONFIDENCE AND SHALL NOT RELEASE IT TO ANY UNAUTHORIZED THIRD PARTIES (EXCEPT UNDER ATTORNEY CLIENT PRIVILEGE OR UNDER APPROPRIATE CONFIDENTIALITY AGREEMENTS). ANY UNAUTHORIZED DISCLOSURE, USE, APPLICATION OR ANY OTHER DEALINGS IN THE INFORMATION SHALL RESULT IN CIVIL AND/OR (WHERE APPLICABLE) CRIMINAL LIABILITIES AND PENAL TIES

				DATE	NAME	<b>P0000(SMPSU29)</b> <b>PMP series power supply</b>
			DRWN	2009-10-20	BEHR	
			CHKD			
				APPR		
B	UPDATED BOARDS	191009	QR	<b>BEHRINGER</b>		<b>BEHR</b>
B	MODIFIED	090909	YD			
A	MODIFIED	070709	YD			
REV	CHANGES	DATE	INIT	FILE :AUX		

SHEET  
2 of 2