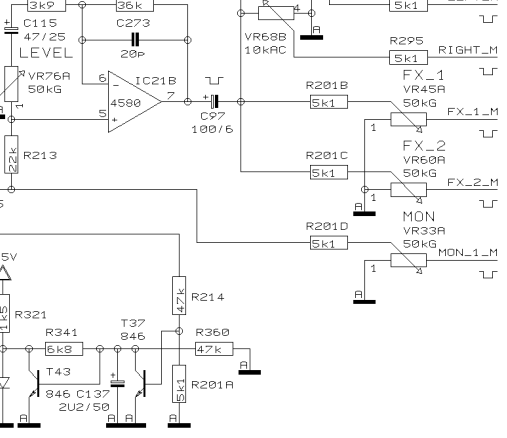
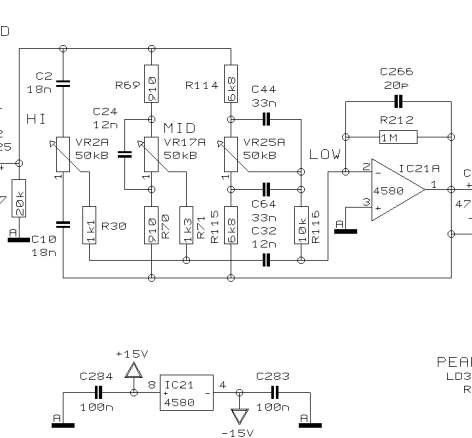
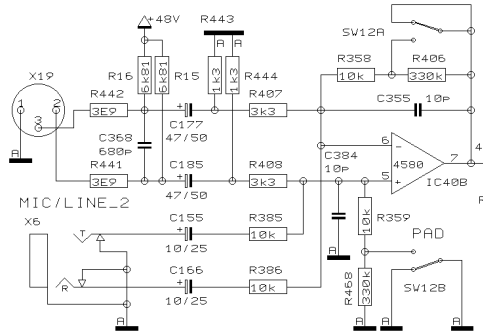
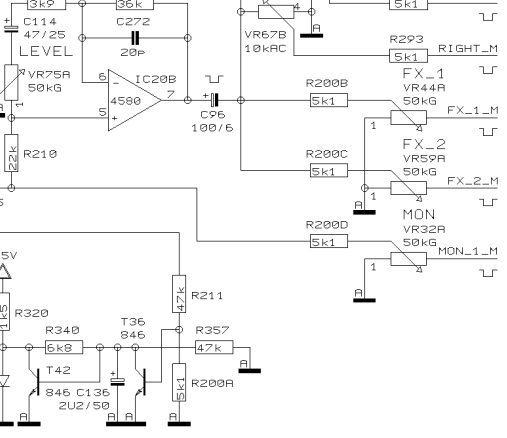
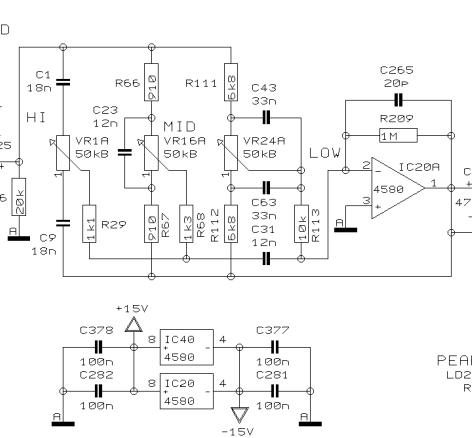
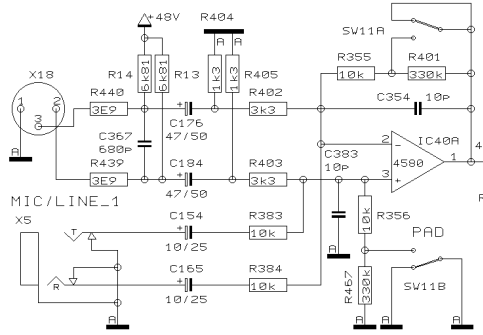


POWER MIXER PMX8805



- 4 VR75B
- 4 VR32B
- 4 VR1B
- 4 VR16B
- 4 VR24B
- 4 VR44B
- 2 VR67C
- 4 VR59B
- 4 VR76B
- 4 VR33B
- 4 VR2B
- 4 VR17B
- 4 VR25B
- 4 VR45B
- 4 VR68C
- 4 VR68B

REVISIONS D (02/12/03)

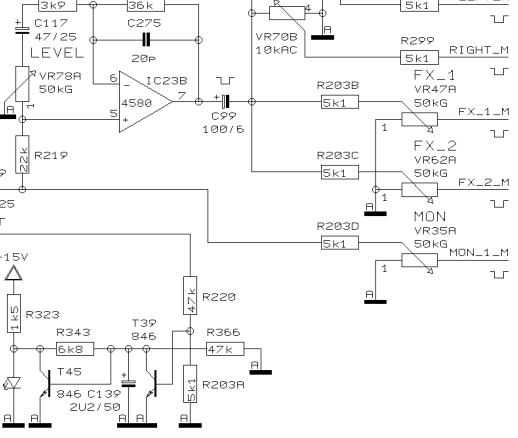
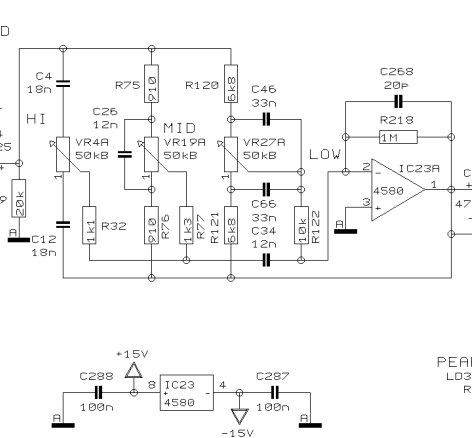
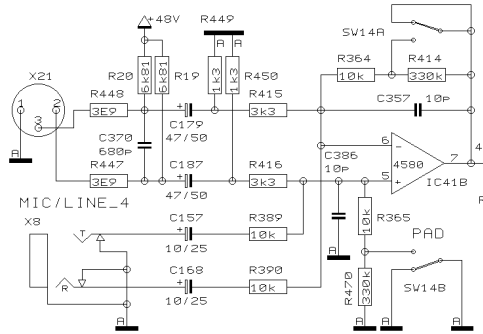
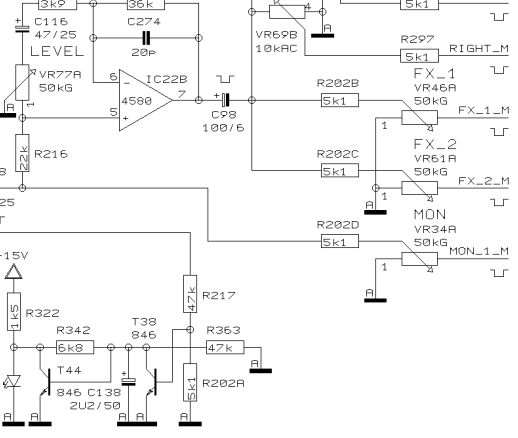
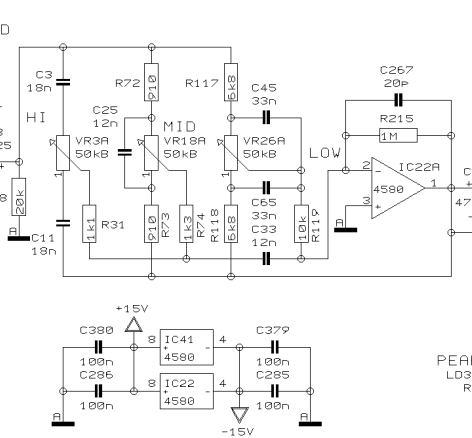
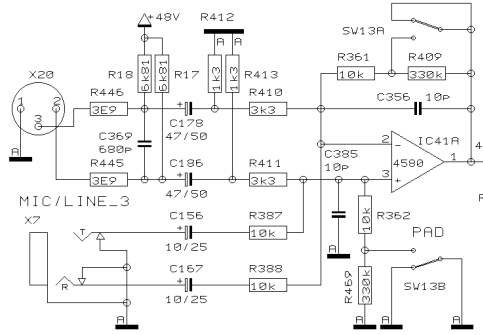
DRAWN SA

CHECKED

DATE 08.07. 4  
13:28



PROJECT  
PMX880S  
EUROPOWER  
MONO CHANNEL 1-2  
SHEET 1 OF 9 SHEETS TOTAL



- 4 VR77B
- 4 VR34B
- 4 VR3B
- 4 VR19B
- 4 VR26B
- 4 VR46B
- 2 VR69C
- 4 VR61B

- 4 VR78B
- 4 VR35B
- 4 VR4B
- 4 VR19B
- 4 VR27B
- 4 VR47B
- 4 VR70C
- 4 VR62B

REVISIONS

D

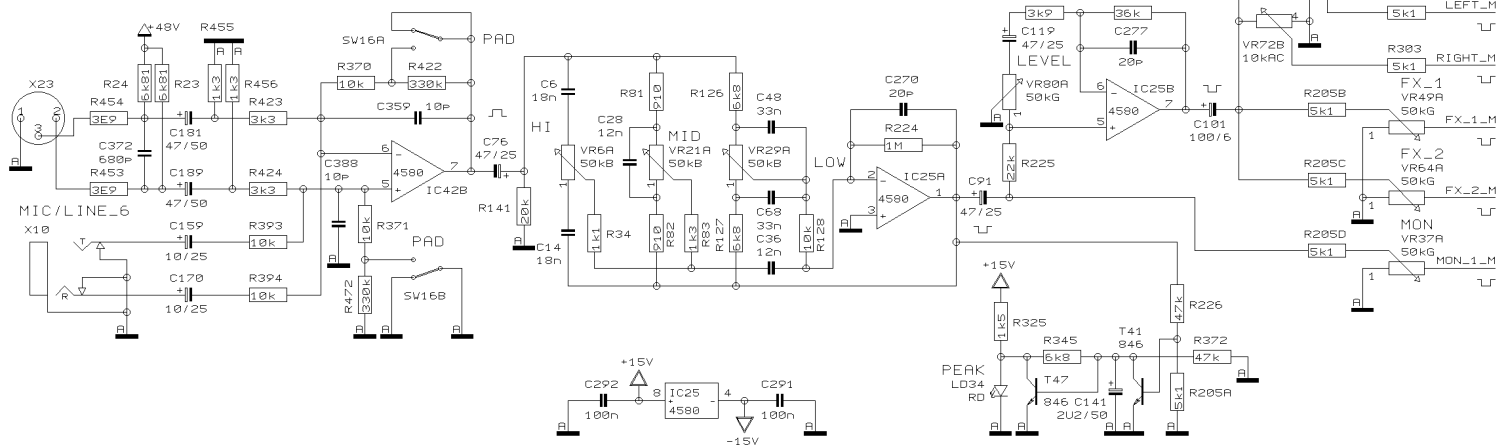
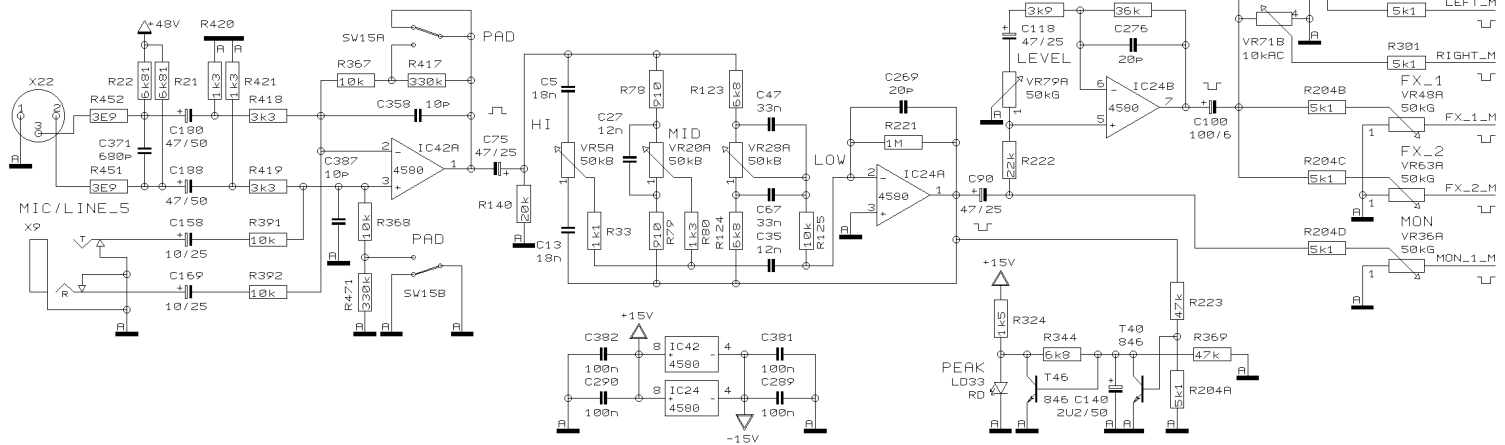
DRAWN SA

CHECKED

DATE 08.07.4  
13:29



PROJECT  
PMX880S  
EUROPOWER  
MONO CHANNEL 3-4  
SHEET 2 OF 9 SHEETS TOTAL

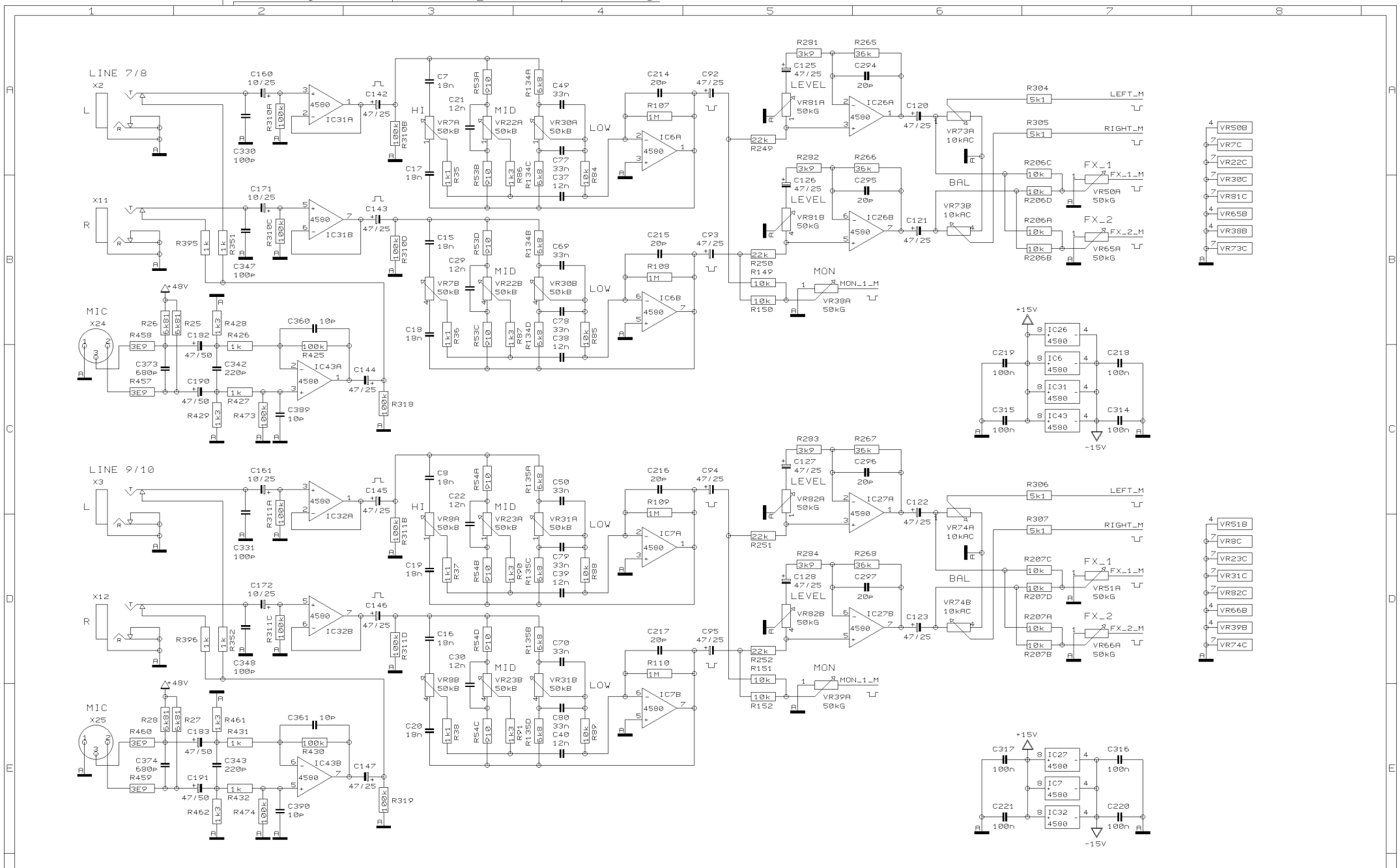


- 4 VR79B
- 4 VR36B
- 4 VR5B
- 4 VR20B
- 4 VR29B
- 4 VR49B
- 4 VR71C
- 4 VR63B
- 4 VR80B
- 4 VR37B
- 4 VR6B
- 4 VR21B
- 4 VR29B
- 4 VR49B
- 4 VR72C
- 4 VR64B

REVISIONS	D	
DRAWN	SA	CHECKED
DATE	08.07.4	13:29



PROJECT  
 PMX880S  
 EUROPOWER  
 MONO CHANNEL 5-6  
 SHEET 3 OF 9 SHEETS TOTAL



REVISIONS D

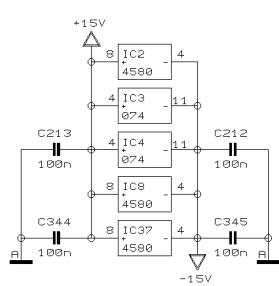
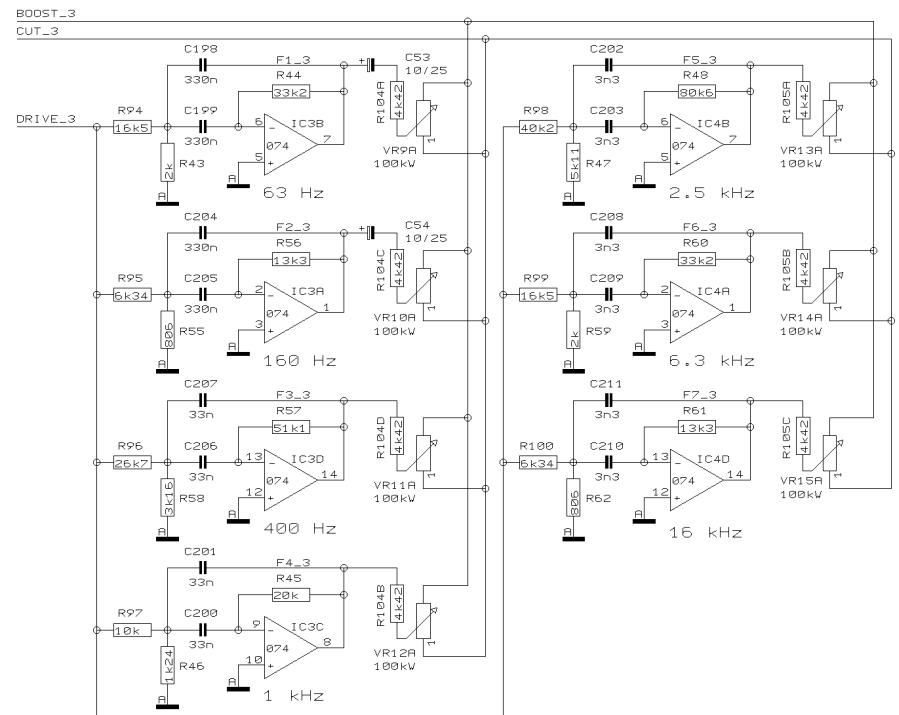
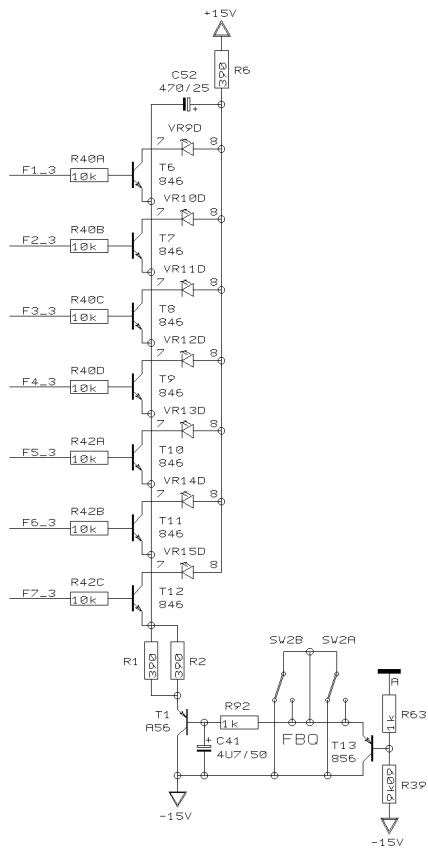
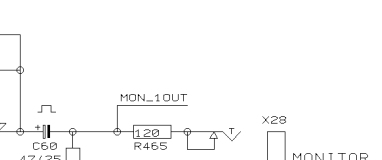
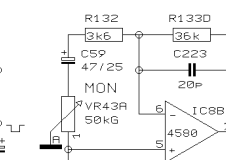
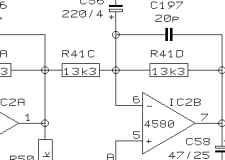
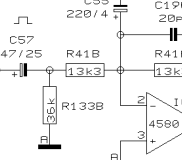
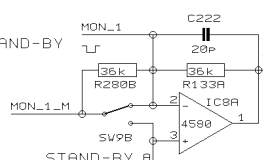
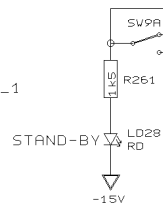
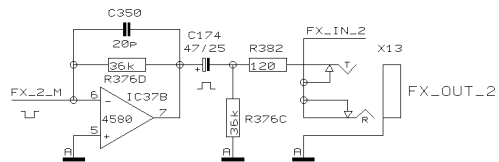
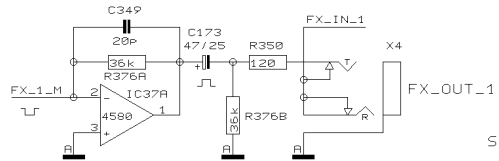
DRAWN SA

CHECKED

DATE 08.07.4  
13:30



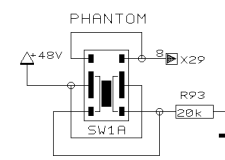
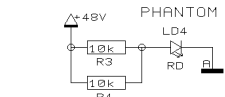
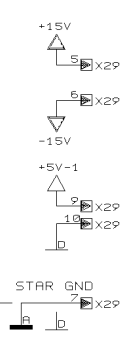
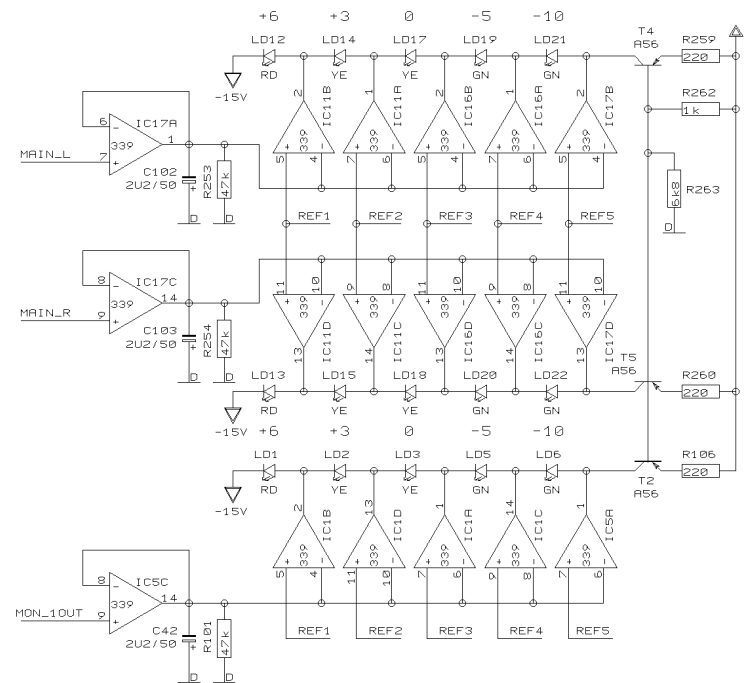
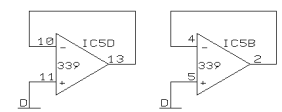
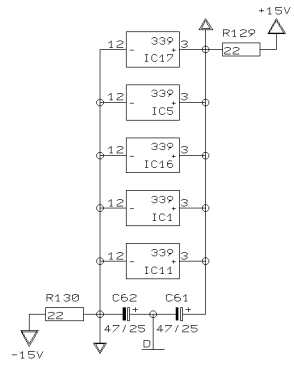
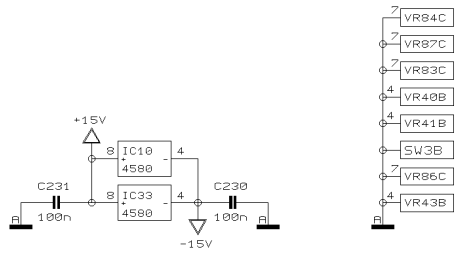
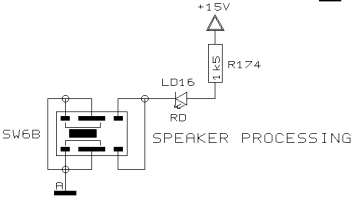
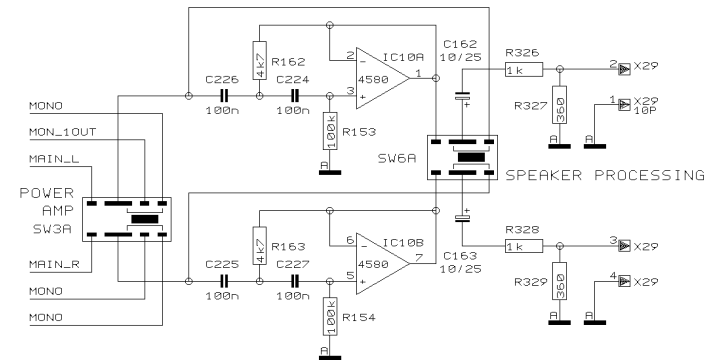
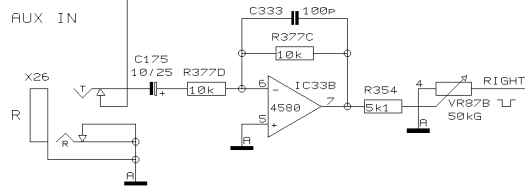
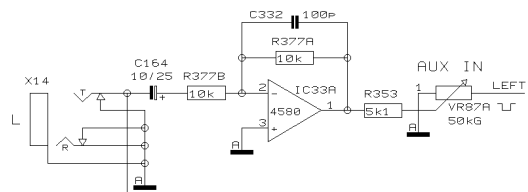
PROJECT  
PMX8805  
EUROPOWER  
STEREO CHANNEL 7/8-9/10  
SHEET 4 OF 9 SHEETS TOTAL



REVISIONS		D	
DRAWN	SA	CHECKED	DATE 08.07. 4 13:30



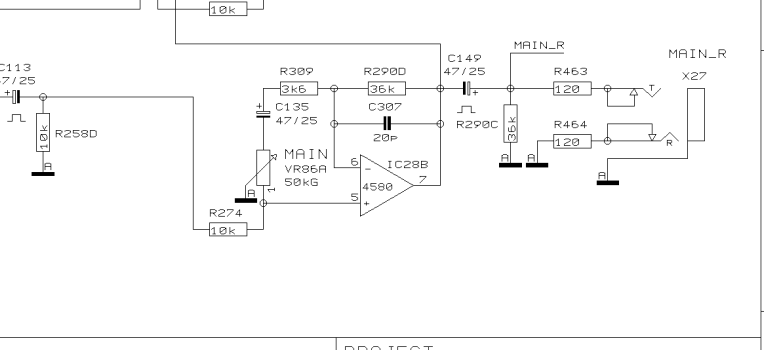
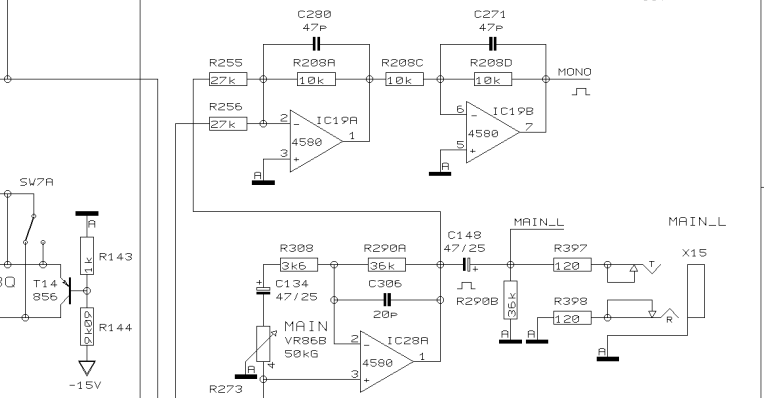
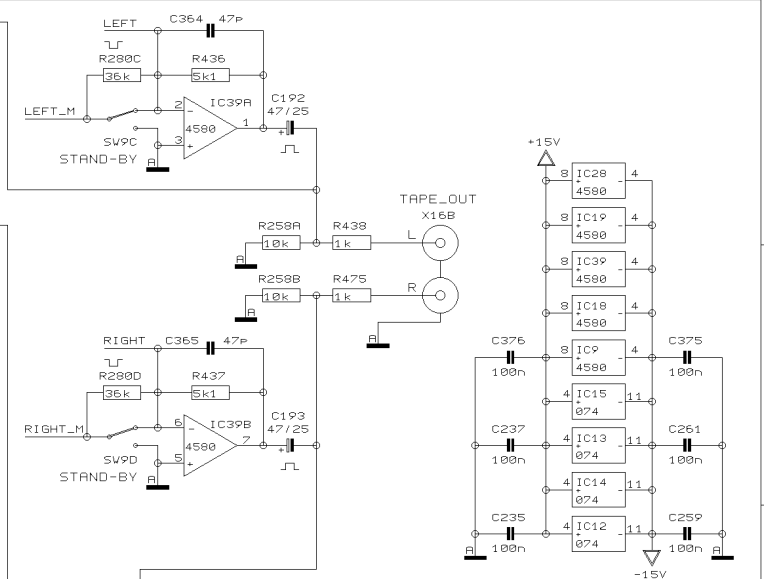
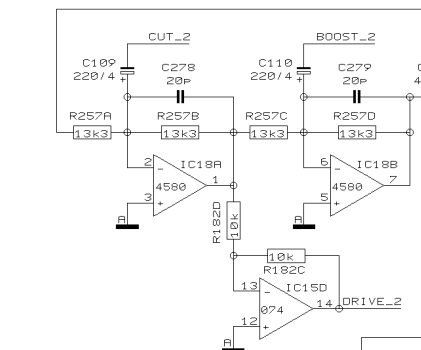
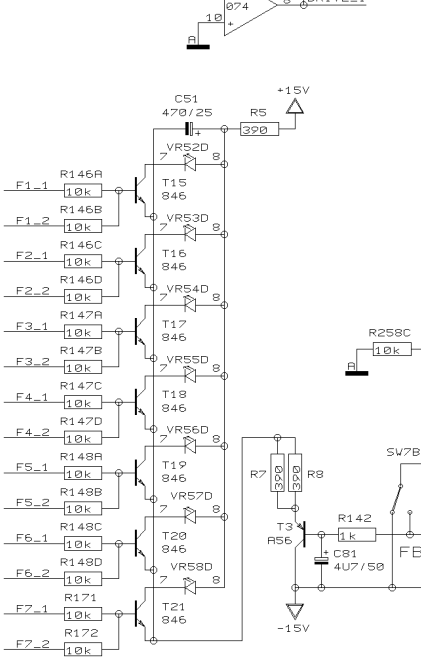
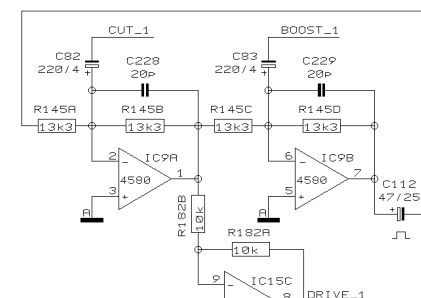
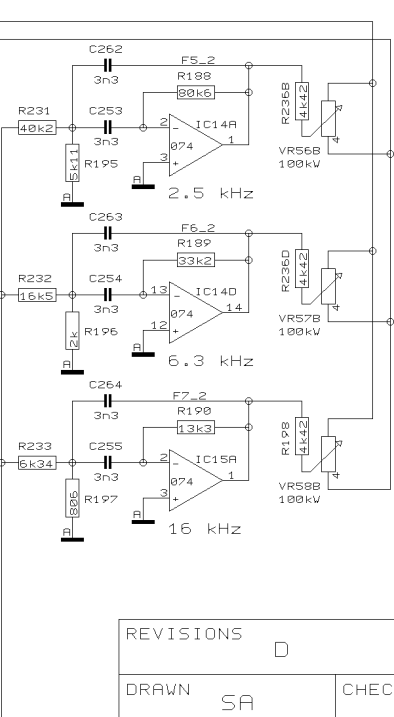
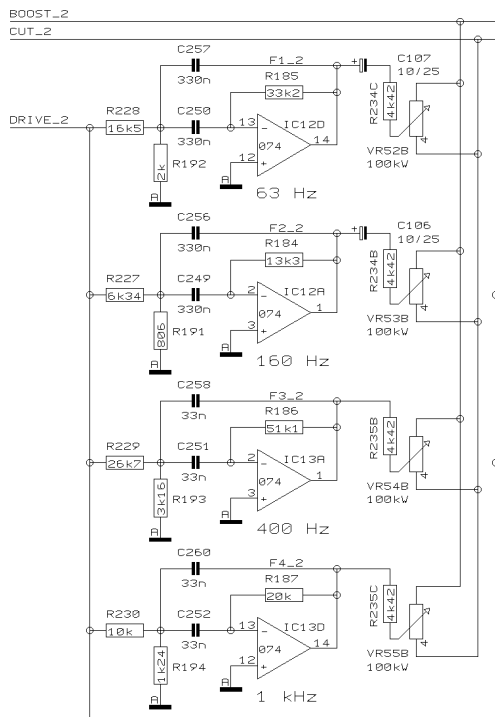
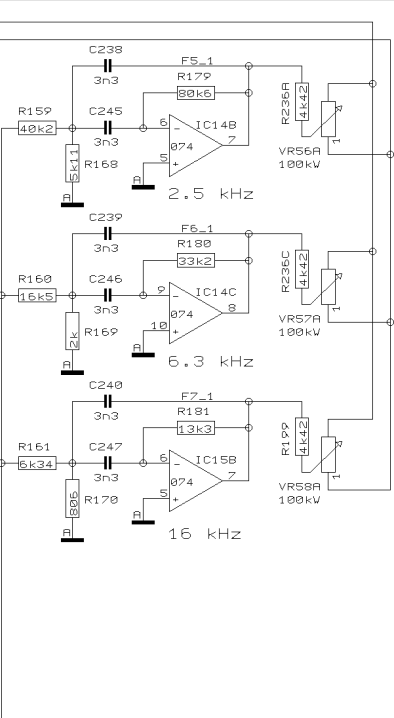
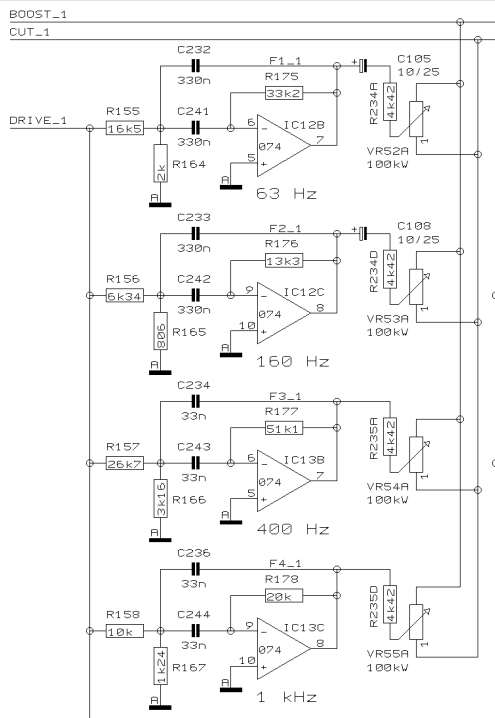
PROJECT  
PMX880S  
EUROPOWER  
MON/FX/STBY  
SHEET 5 OF 9 SHEETS TOTAL



REVISIONS		D	
DRAWN	SA	CHECKED	DATE 08.07. 4 13:31



PROJECT  
PMX880S  
EUROPOWER  
SPK PROC/VU/OUT/AUX IN  
SHEET 6 OF 9 SHEETS TOTAL



REVISIONS  
D

DRAWN SA

CHECKED

DATE 08.07.4  
13:31

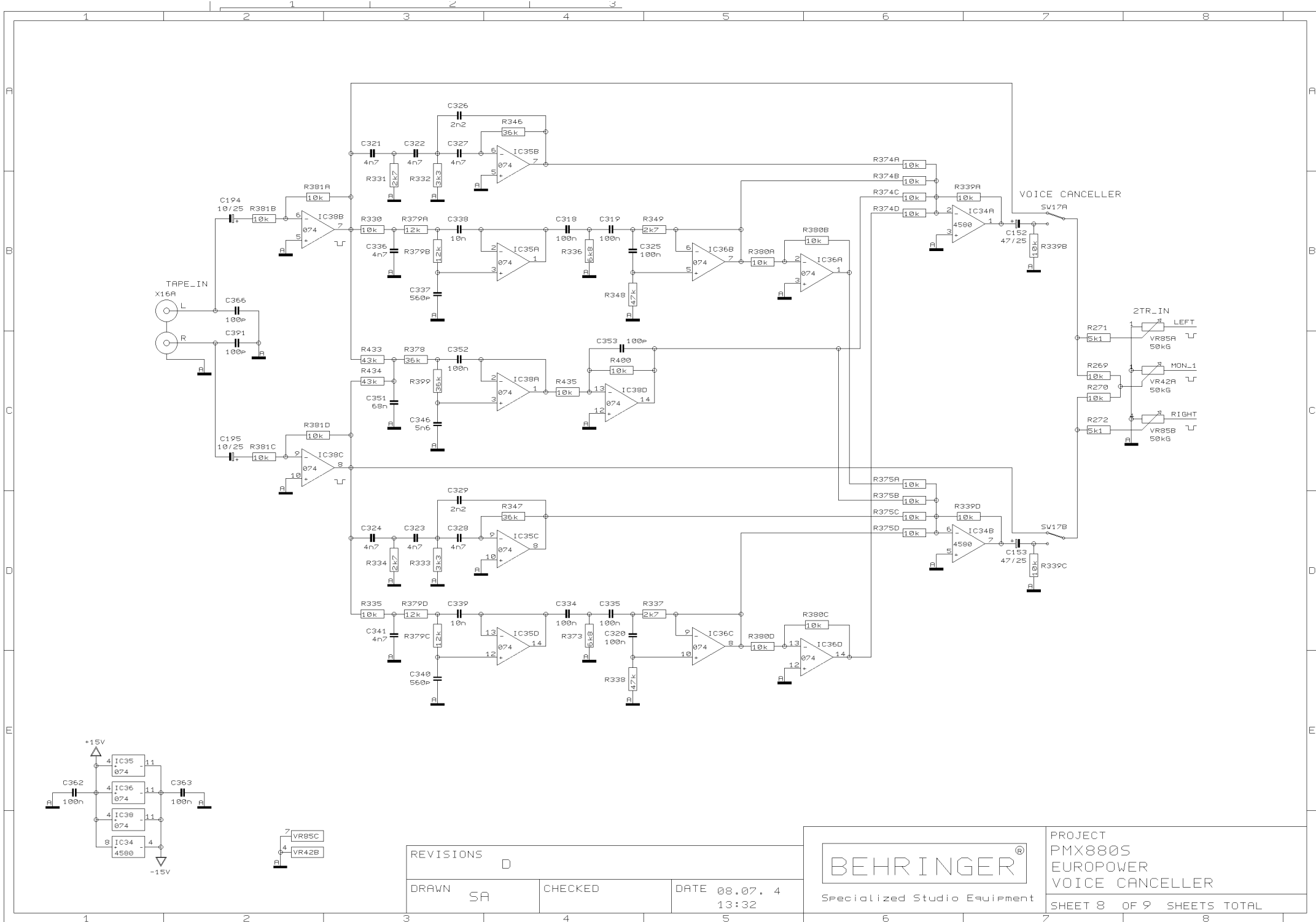
**BEHRINGER**

Specialized Studio Equipment

PROJECT  
PMX8805  
EUROPOWER  
GRAPHIC EQ / FBO

SHEET 7 OF 9 SHEETS TOTAL





REVISIONS D

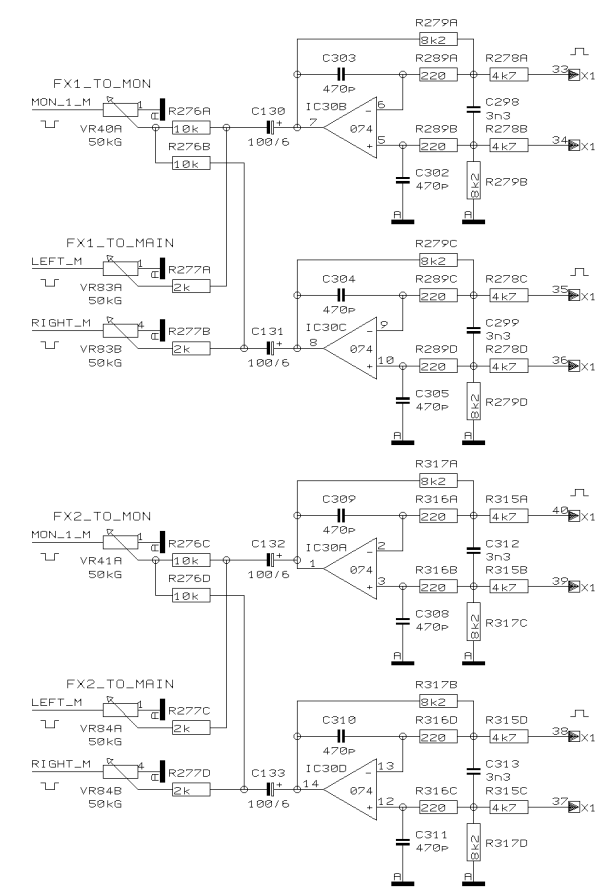
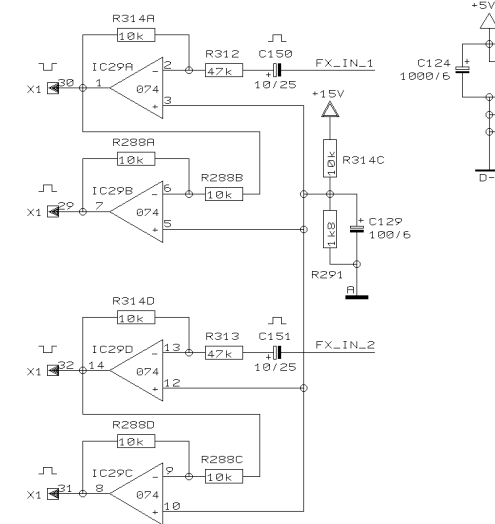
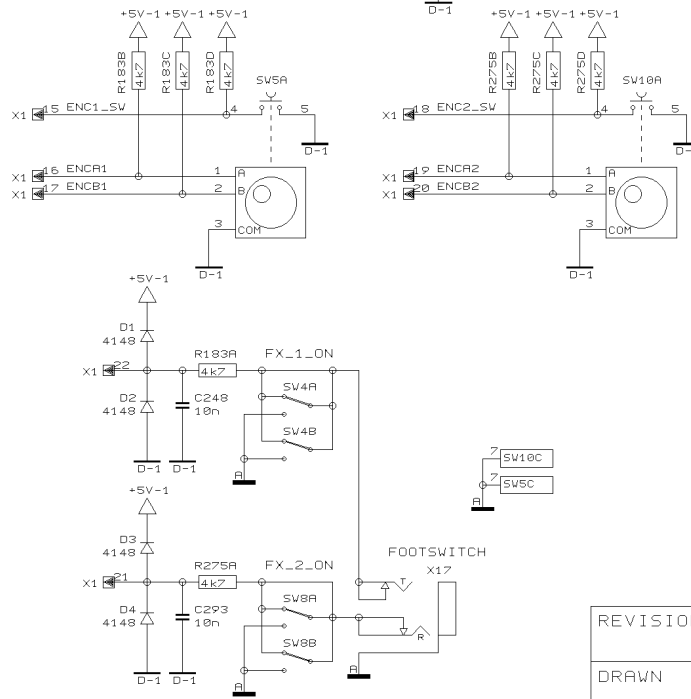
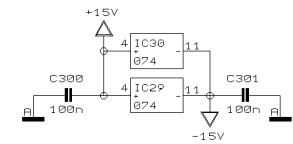
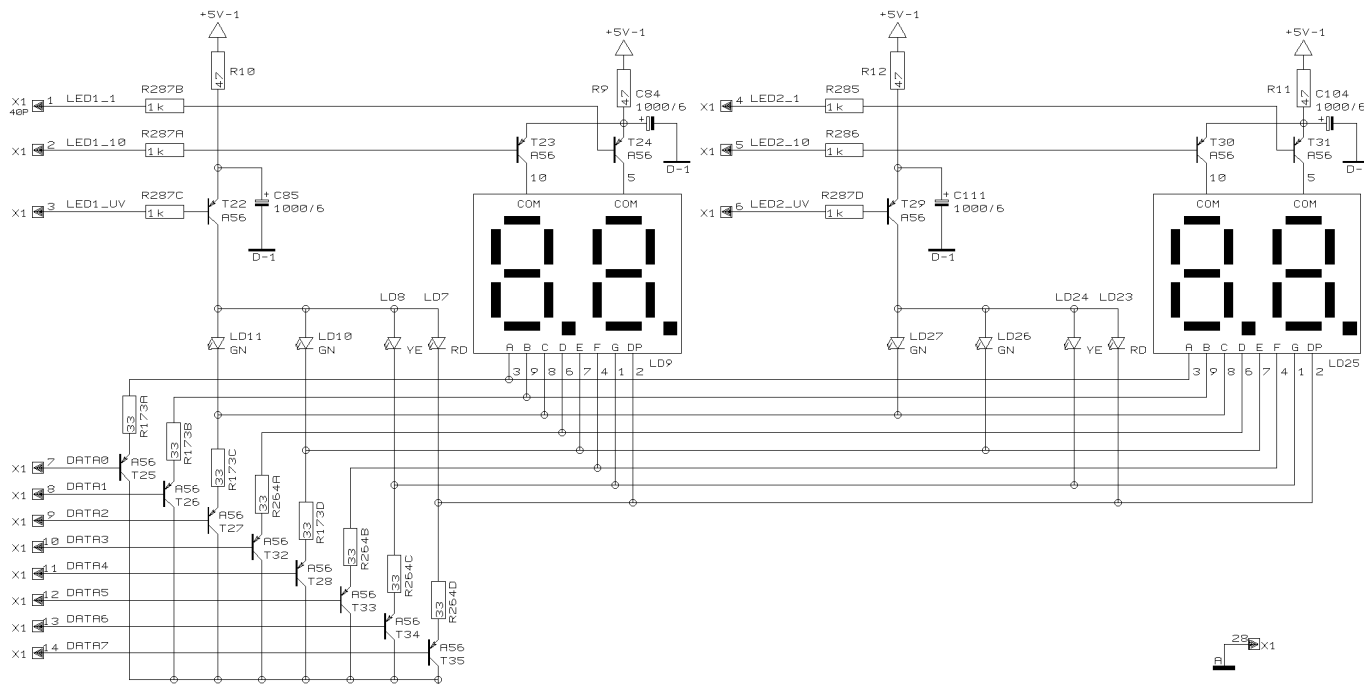
DRAWN SA

CHECKED

DATE 08.07.4  
13:32



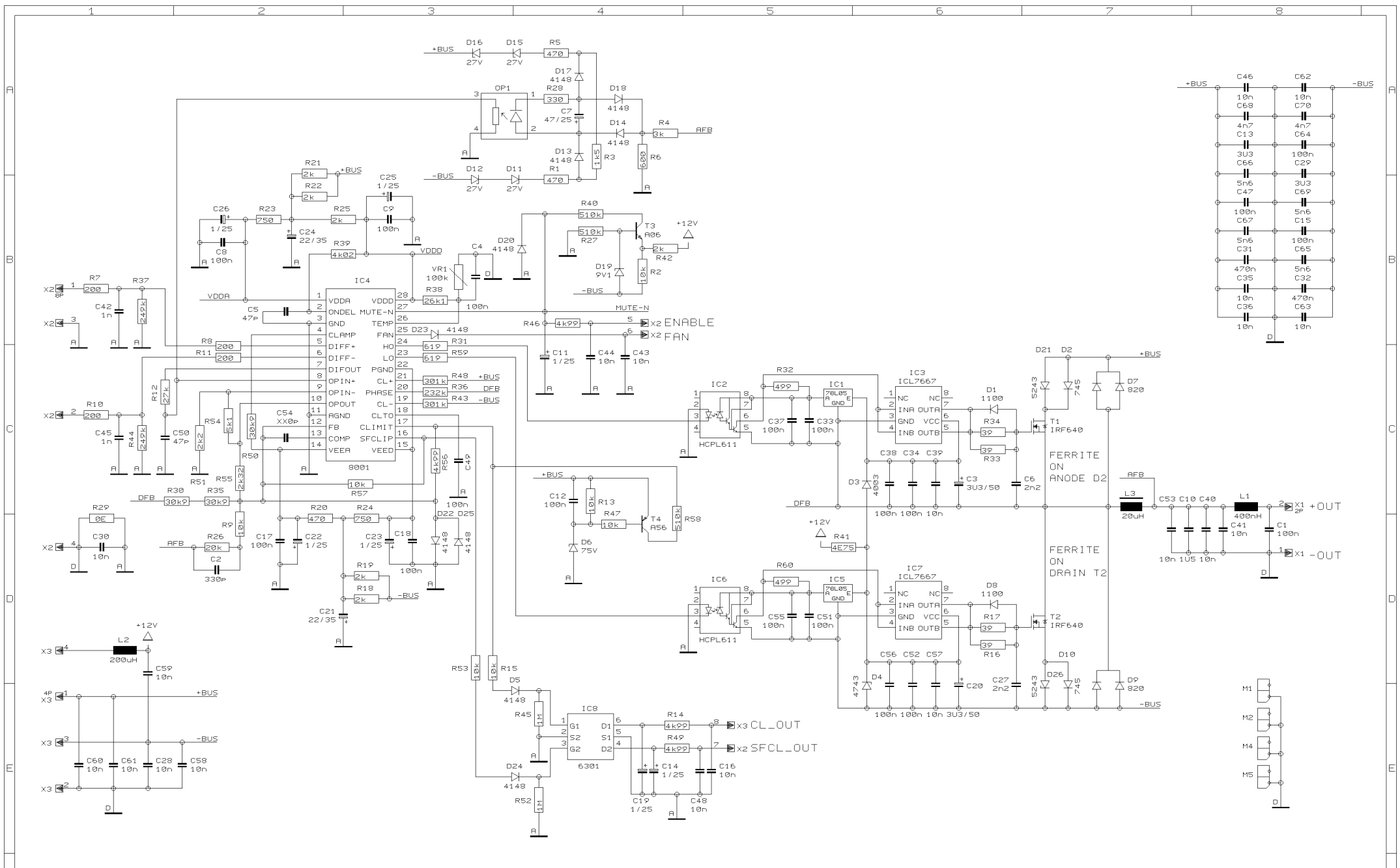
PROJECT  
PMX880S  
EUROPOWER  
VOICE CANCELLER  
SHEET 8 OF 9 SHEETS TOTAL



REVISIONS	D	
DRAWN	SA	CHECKED
DATE 08.07. 4		13:32



PROJECT  
PMX8805  
EUROPOWER  
FX SECTION  
SHEET 9 OF 9 SHEETS TOTAL



REVISIONS E (02/06/03)

DRAWN MD

CHECKED

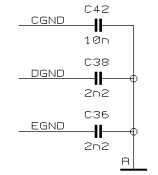
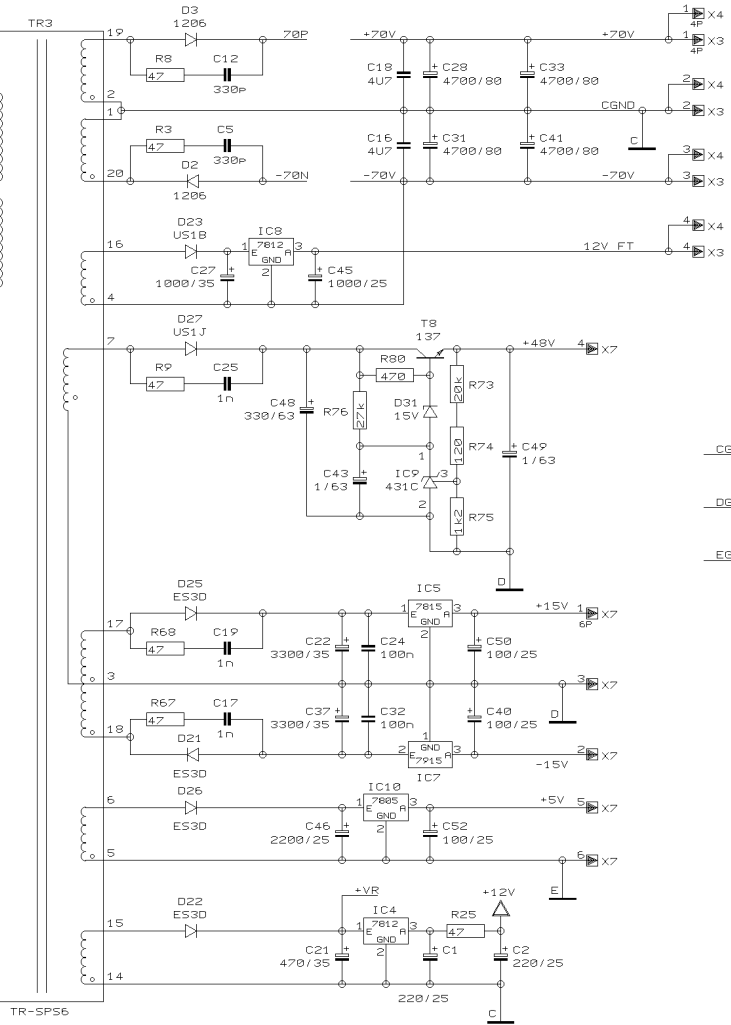
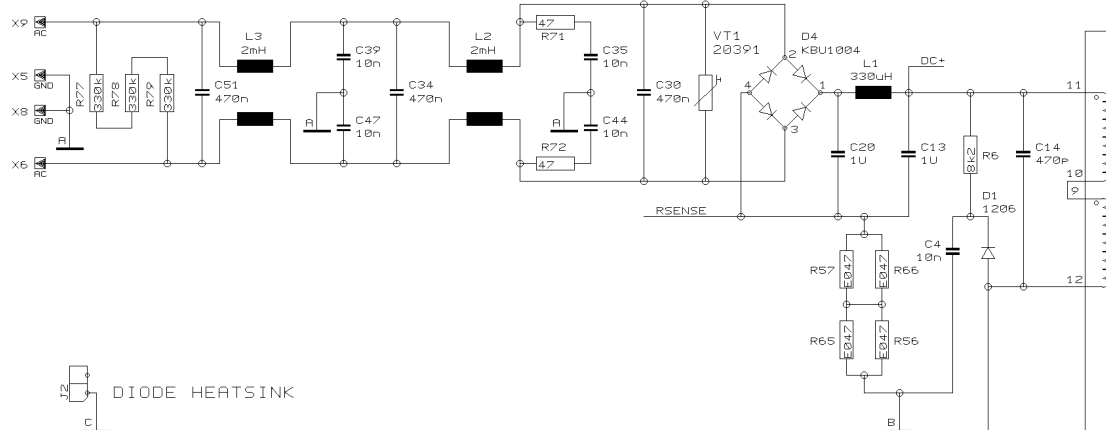
DATE 08.07. 4  
13:34



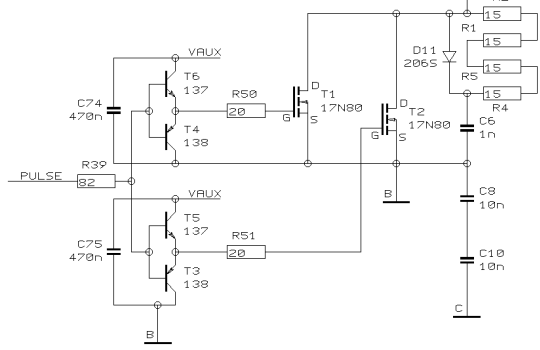
Specialized Studio Equipment

PROJECT  
DPA400  
DIGITAL POWER AMPLIFIER

SHEET 1 OF 1 SHEETS TOTAL



- J2 DIODE HEATSINK
- J3 MOSFET HEATSINK
- J5 -15V REG HEATSINK
- J5 +15V REG HEATSINK
- J8 +48V REG HEATSINK
- J4 FAN REG HEATSINK
- J9 +5V REG HEATSINK
- J7 12V FLOAT REG HEATSINK
- J1 CLAMP DIODE HEATSINK

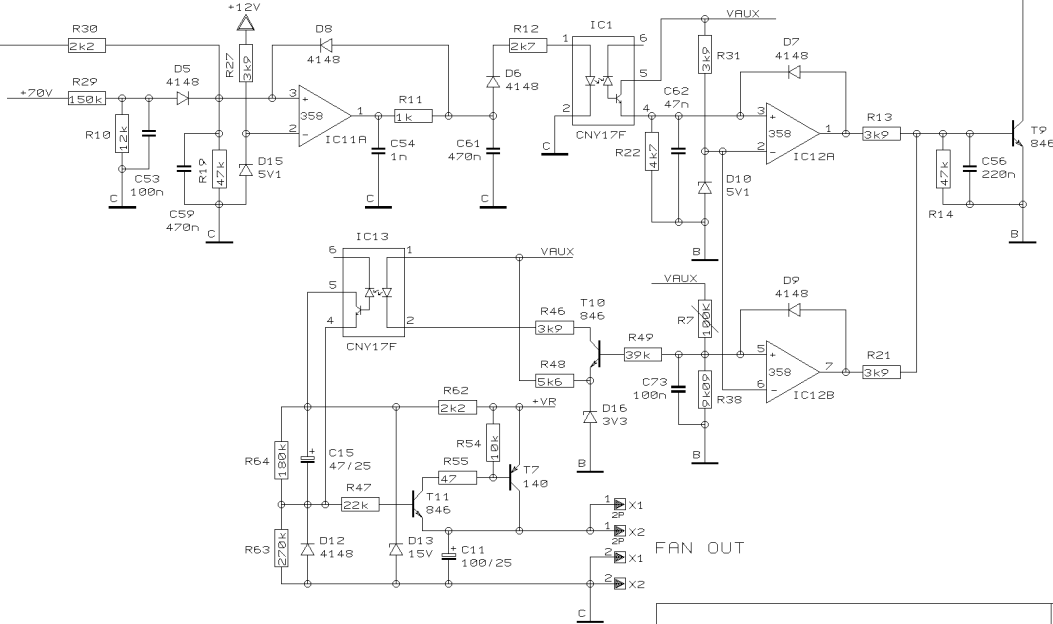
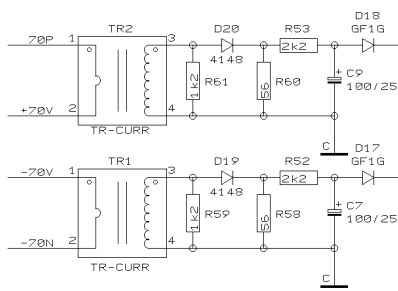
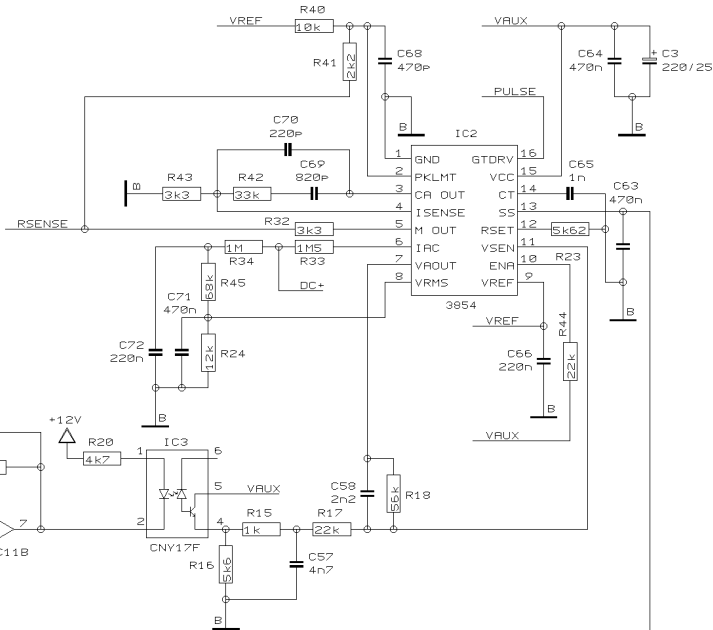
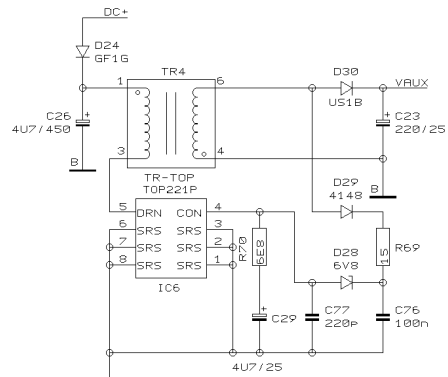


REVISIONS D (17/12/03)

DRAWN SASA CHECKED DATE 21.12. 4 12:52



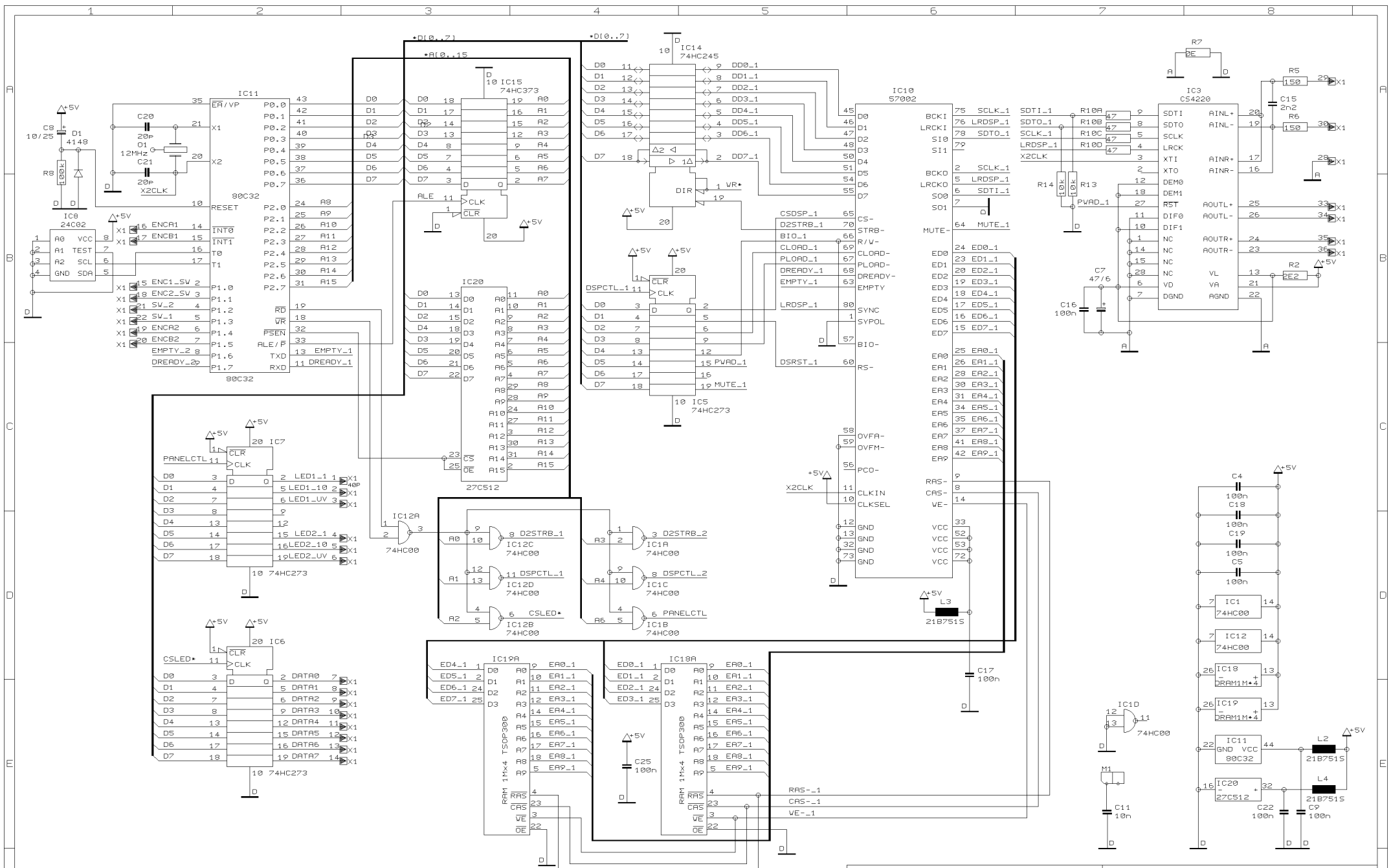
PROJECT SPS600 POWER SUPPLY 600W SCHEMATICS SHEET 1 OF 2 SHEETS TOTAL



REVISIONS	D	
DRAWN	SASA	CHECKED
DATE	21.12. 4	12:52



PROJECT  
SPS600  
POWER SUPPLY 600W  
SCHEMATICS  
SHEET 2 OF 2 SHEETS TOTAL

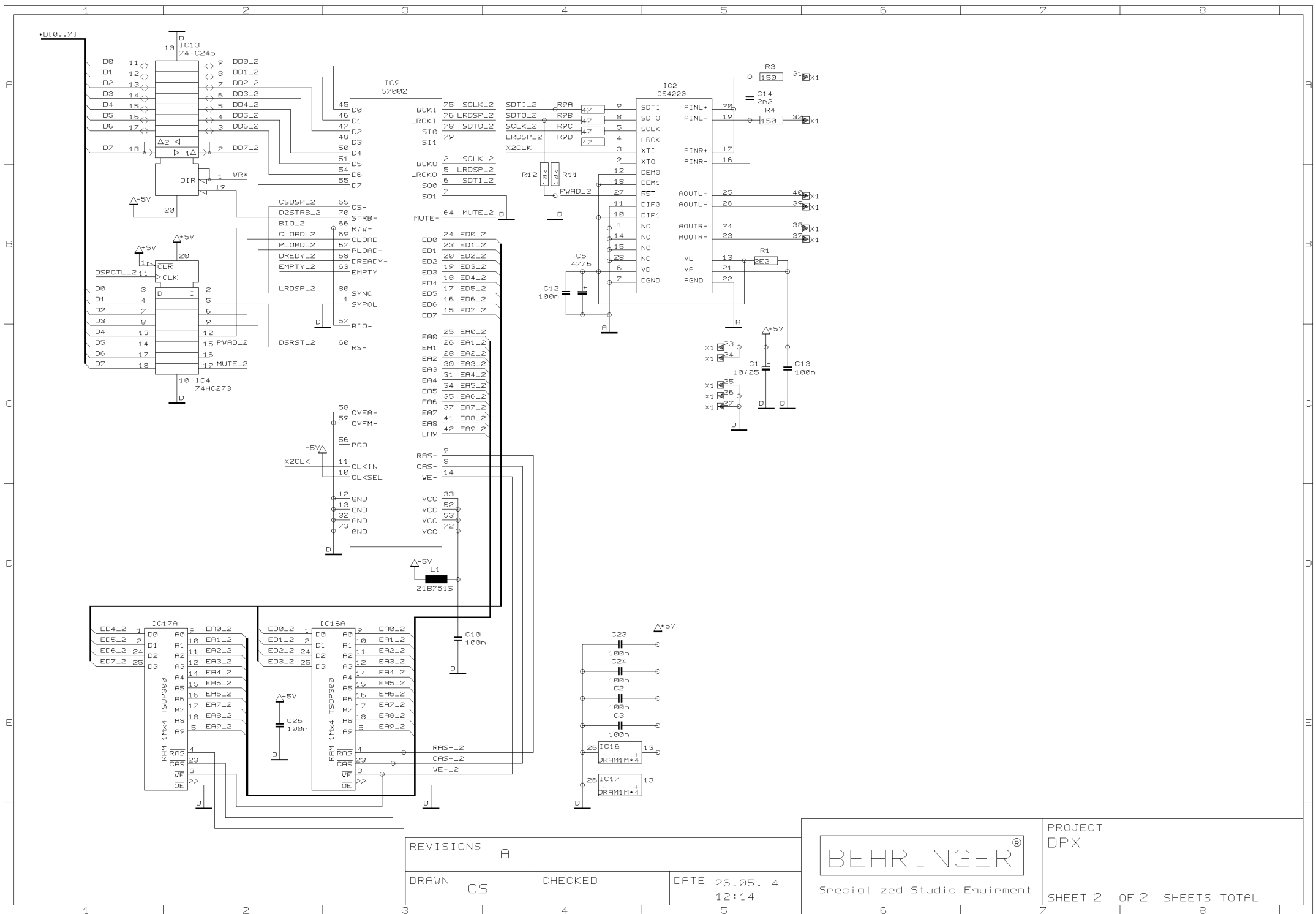


REVISIONS A (07/06/02)

DRAWN CS CHECKED DATE 26.05.4 12:14



PROJECT DPX  
SHEET 1 OF 2 SHEETS TOTAL



REVISIONS A

DRAWN CS

CHECKED

DATE 26.05. 4  
12:14



PROJECT  
DPX

SHEET 2 OF 2 SHEETS TOTAL