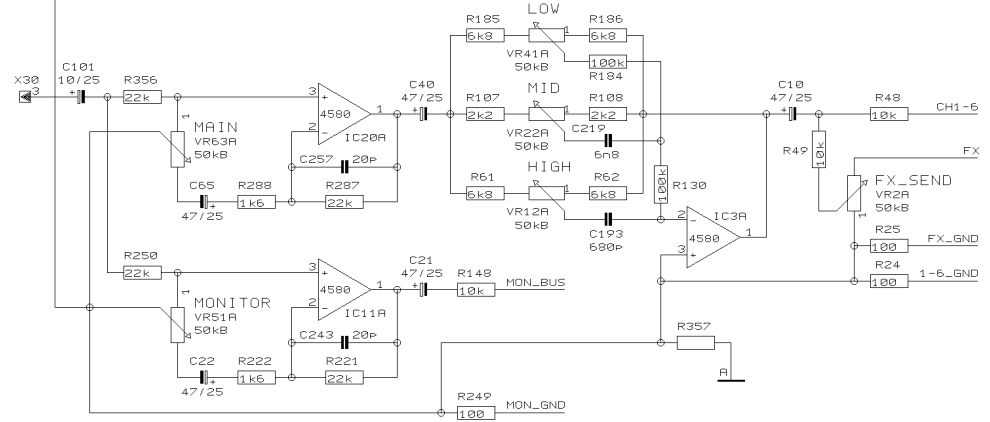
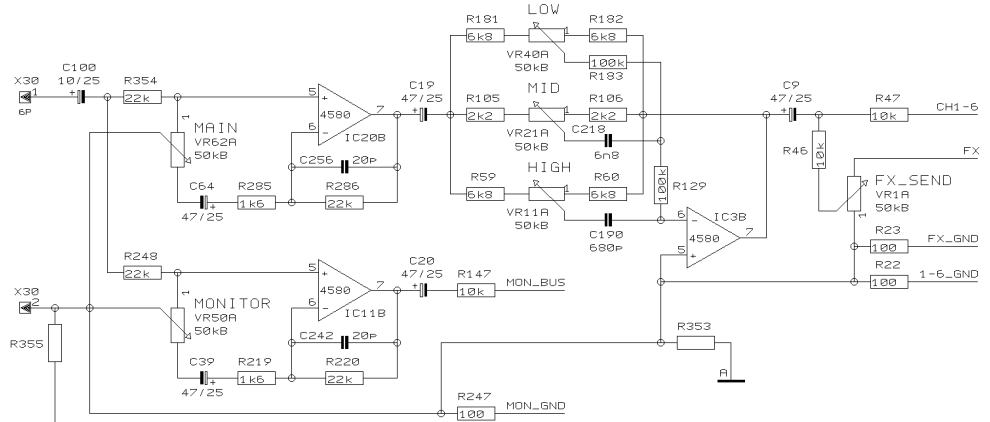
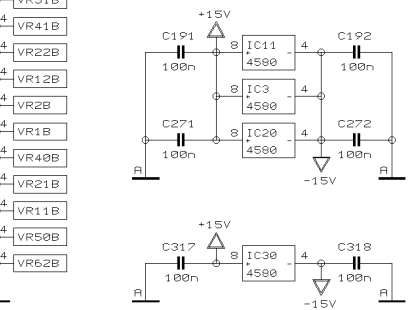
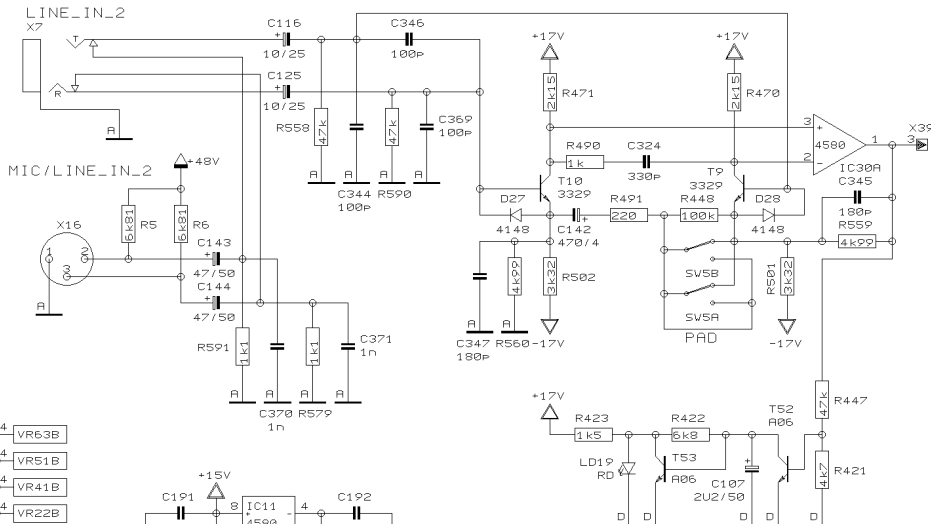
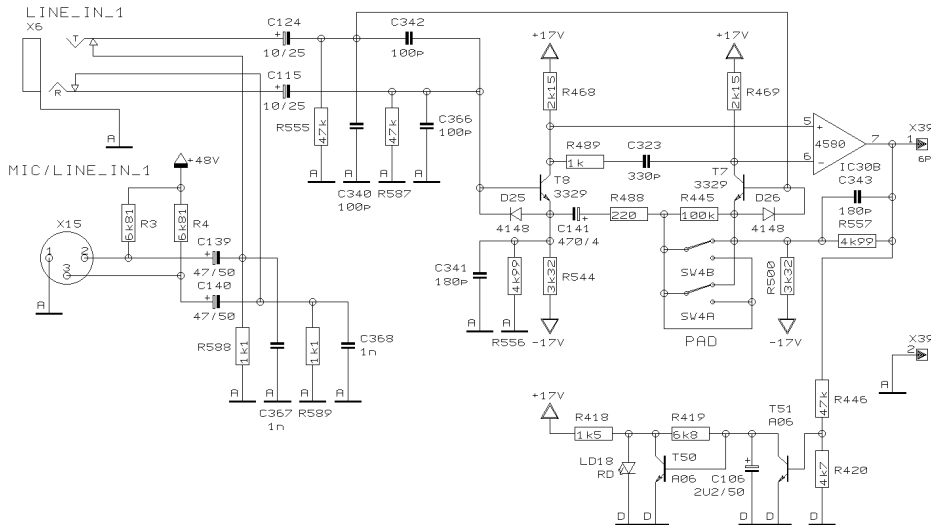


BLOCK DIAGRAM PMX2000

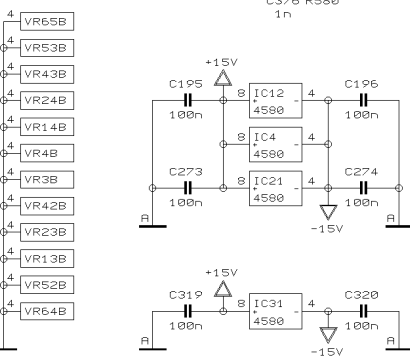
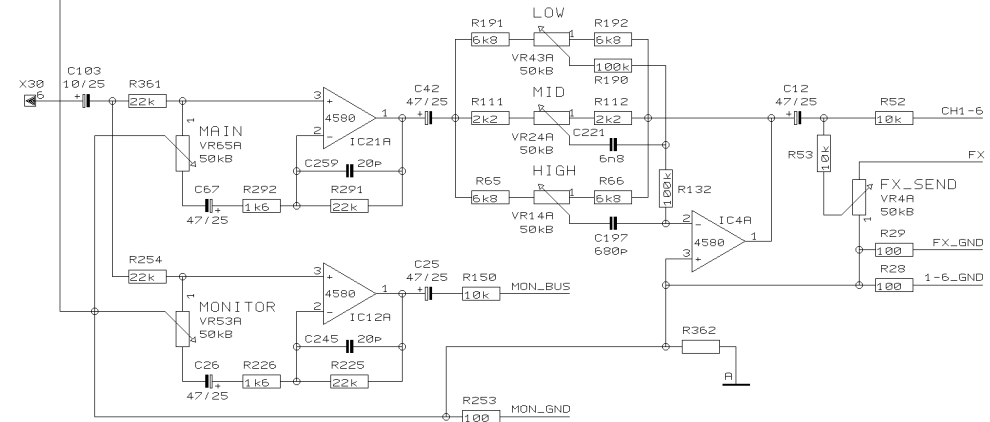
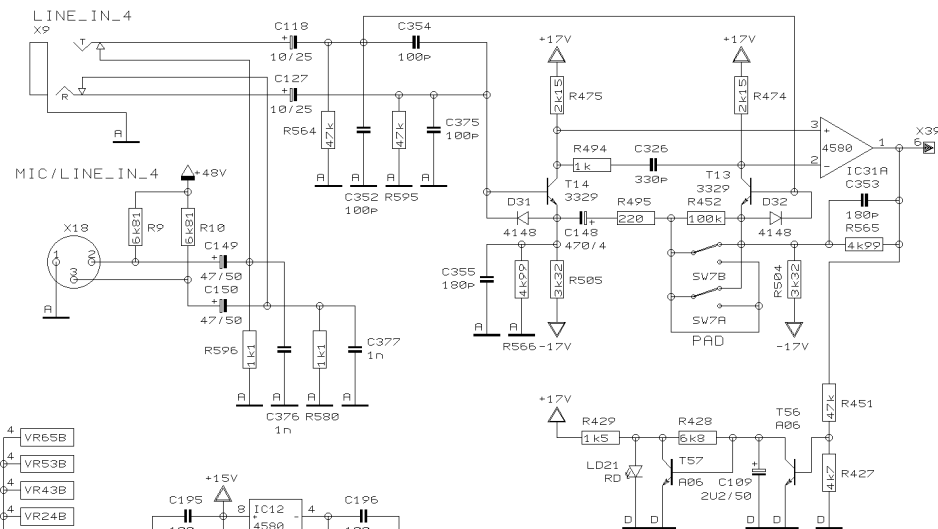
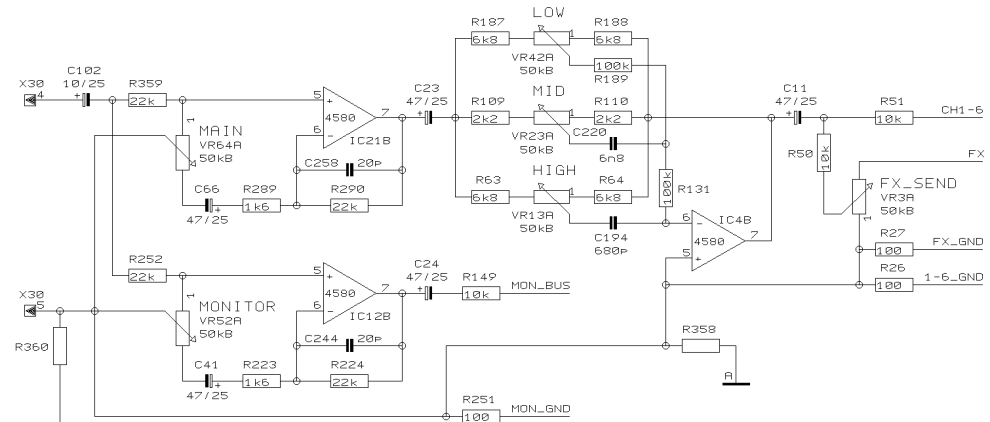
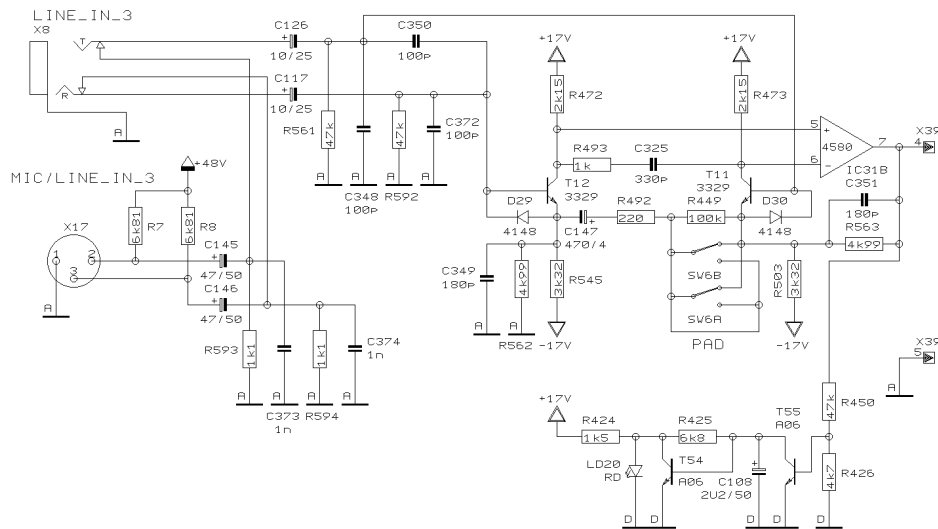


REVISIONS F (17/01/03)

DRAWN BHK CHECKED DATE 04.03. 3 16:06



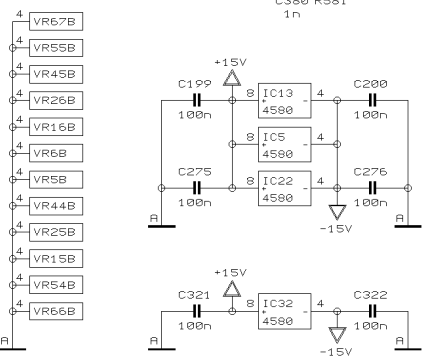
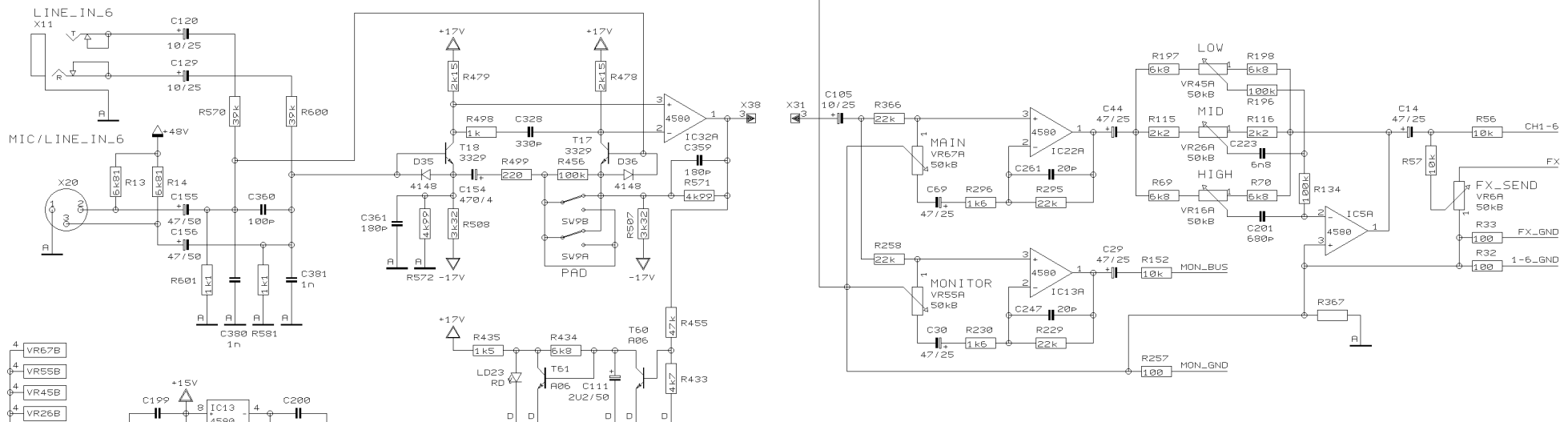
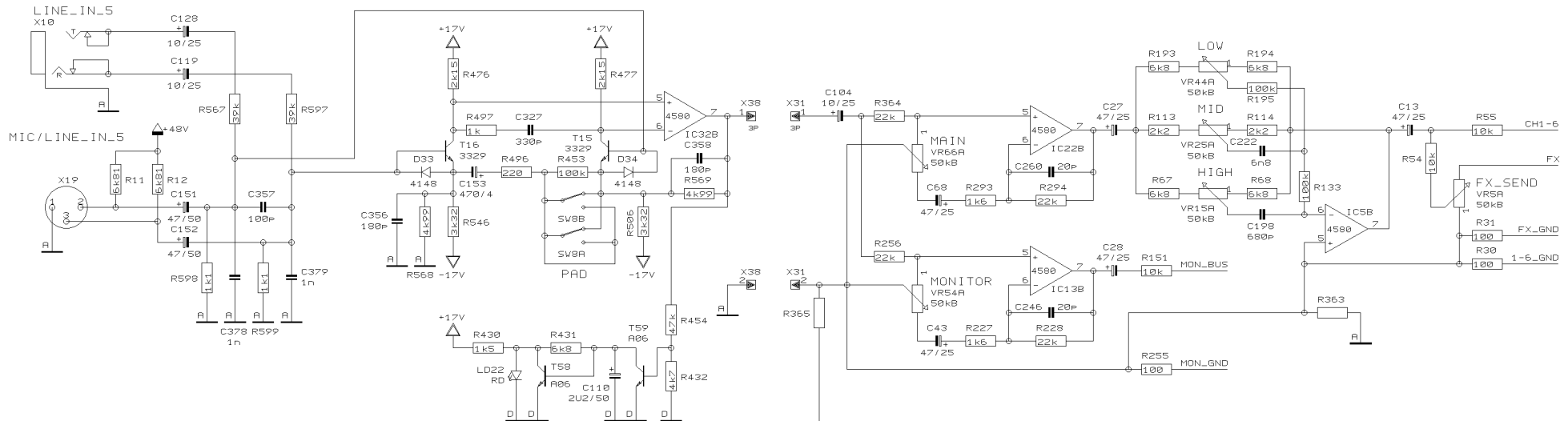
PROJECT PMX2000 EUROPOWER CHANNEL 1 & 2 SHEET 1 OF 10 SHEETS TOTAL



REVISIONS	F
DRAWN	BHK
CHECKED	
DATE	04.03.3 16:06



PROJECT
PMX2000
EUROPOWER
CHANNEL 3 & 4
SHEET 2 OF 10 SHEETS TOTAL



REVISIONS

F

DRAWN BHK

CHECKED

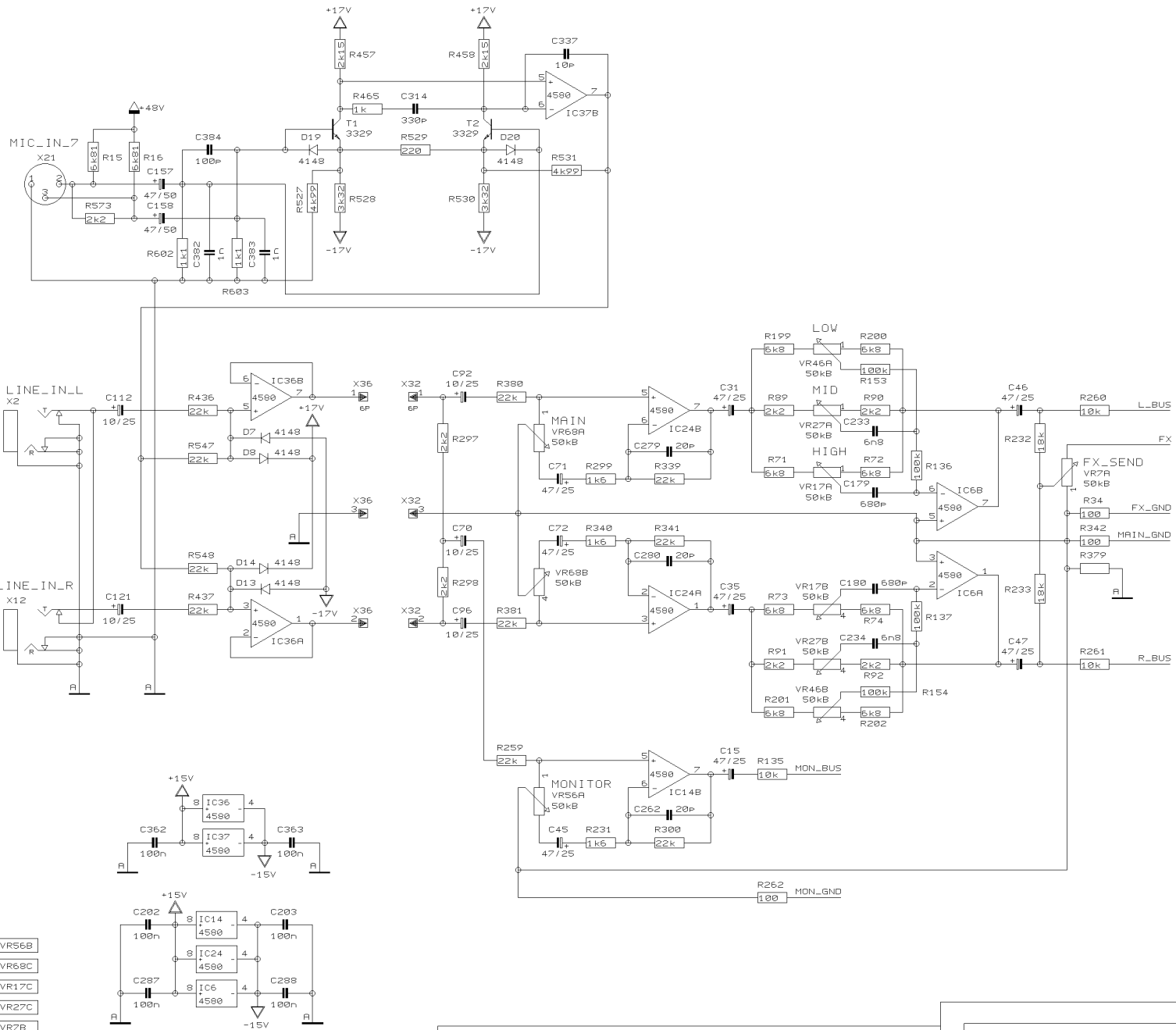
DATE 04.03. 3
16:06

BEHRINGER®

Specialized Studio Equipment

PROJECT
PMX2000
EUROPOWER
CHANNEL 5 & 6

SHEET 3 OF 10 SHEETS TOTAL



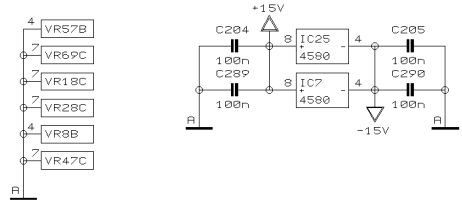
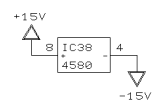
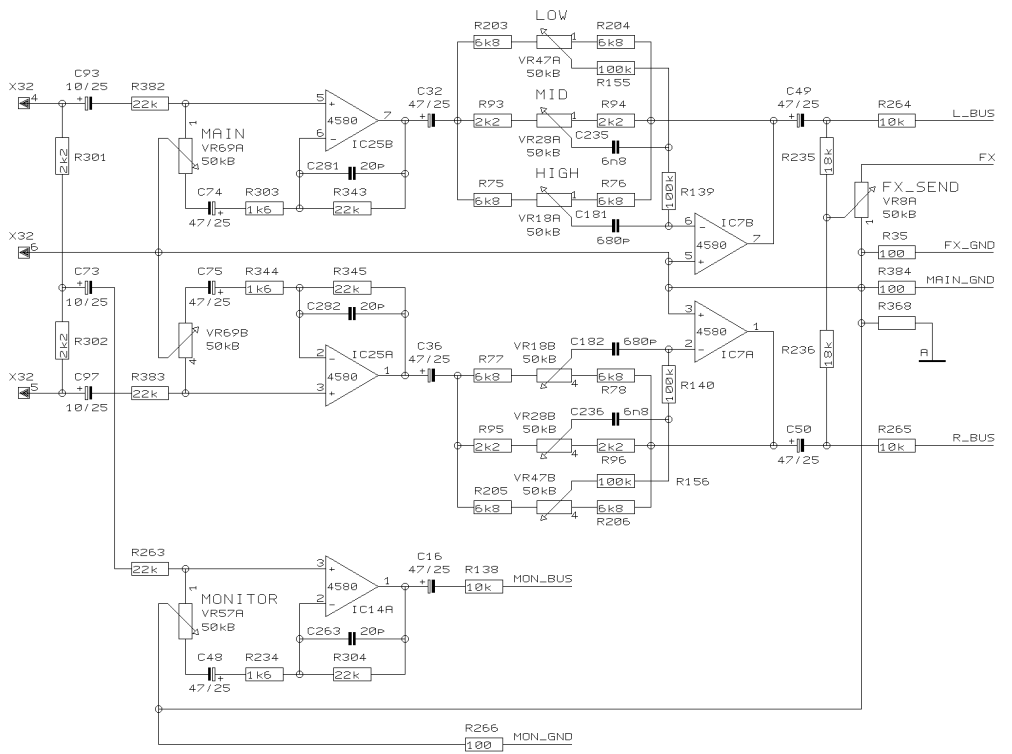
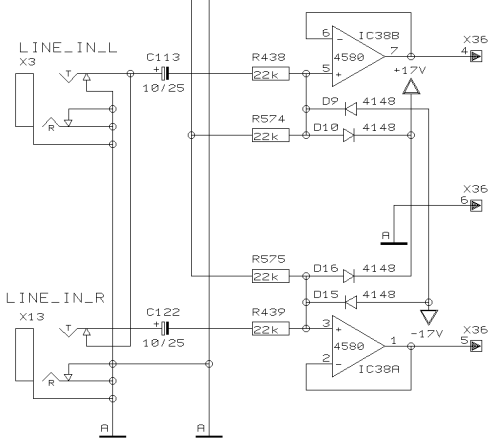
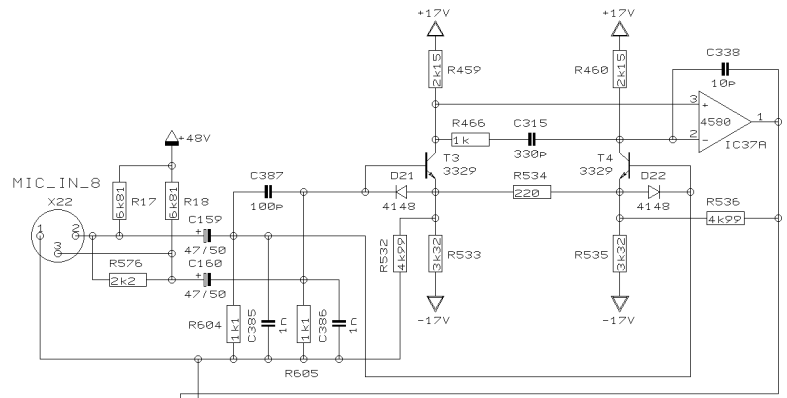
- 4 VR56B
- 7 VR68C
- 7 VR17C
- 2 VR27C
- 4 VR7B
- 7 VR46C

REVISIONS		F	
DRAWN	BHK	CHECKED	DATE 04.03. 3 16:06



PROJECT
PMX2000
EUROPOWER
STEREO CHANNEL 7

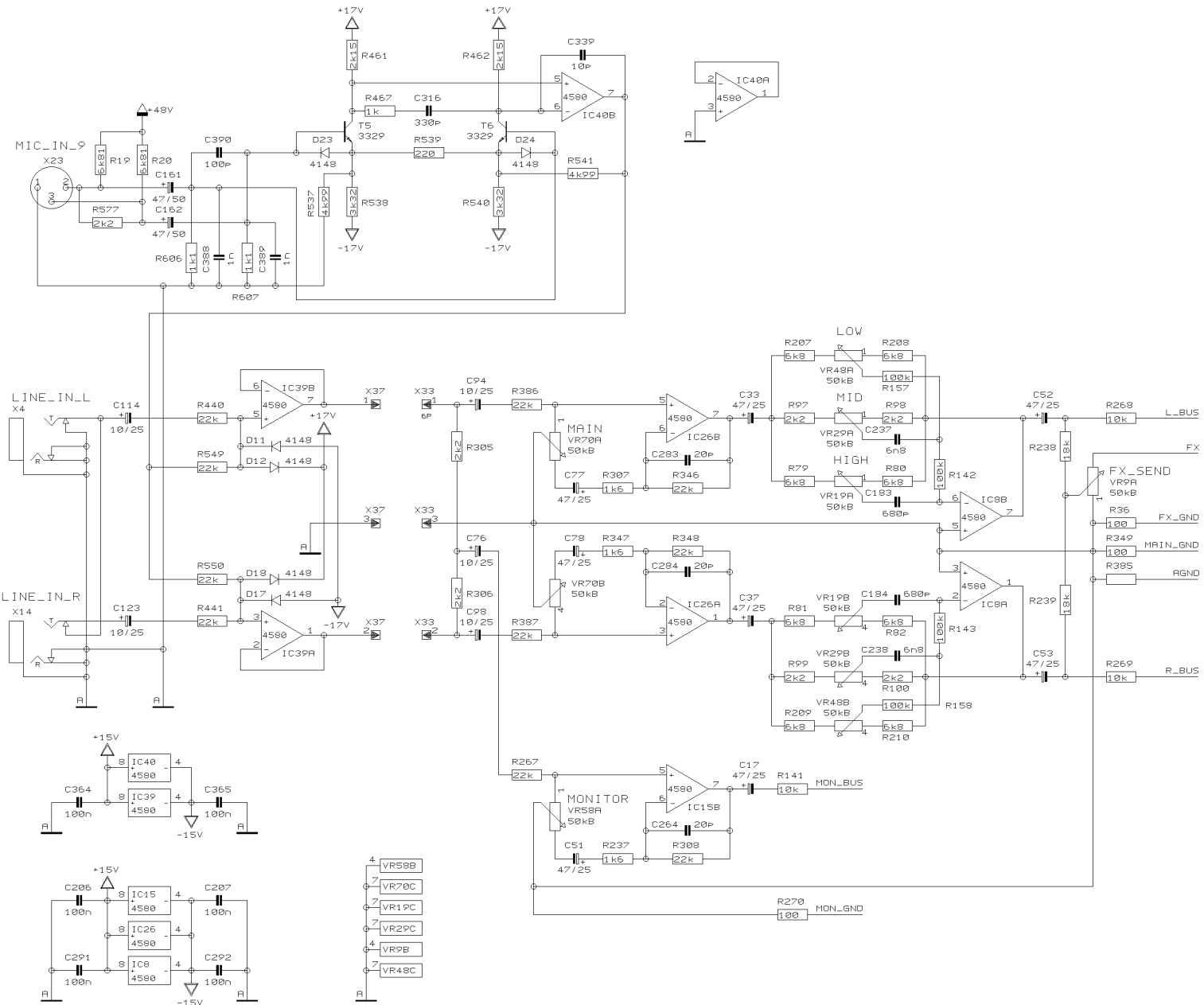
SHEET 4 OF 10 SHEETS TOTAL



REVISIONS		F	
DRAWN	BHK	CHECKED	DATE 04.03. 3 16:06



PROJECT
PMX2000
EUROPOWER
STEREO CHANNEL 8
SHEET 5 OF 10 SHEETS TOTAL



REVISIONS

F

DRAWN

BHK

CHECKED

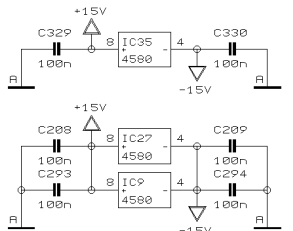
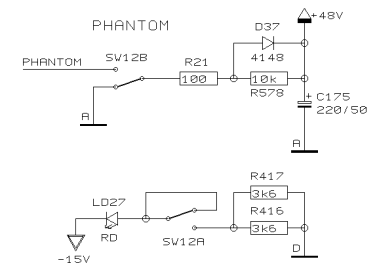
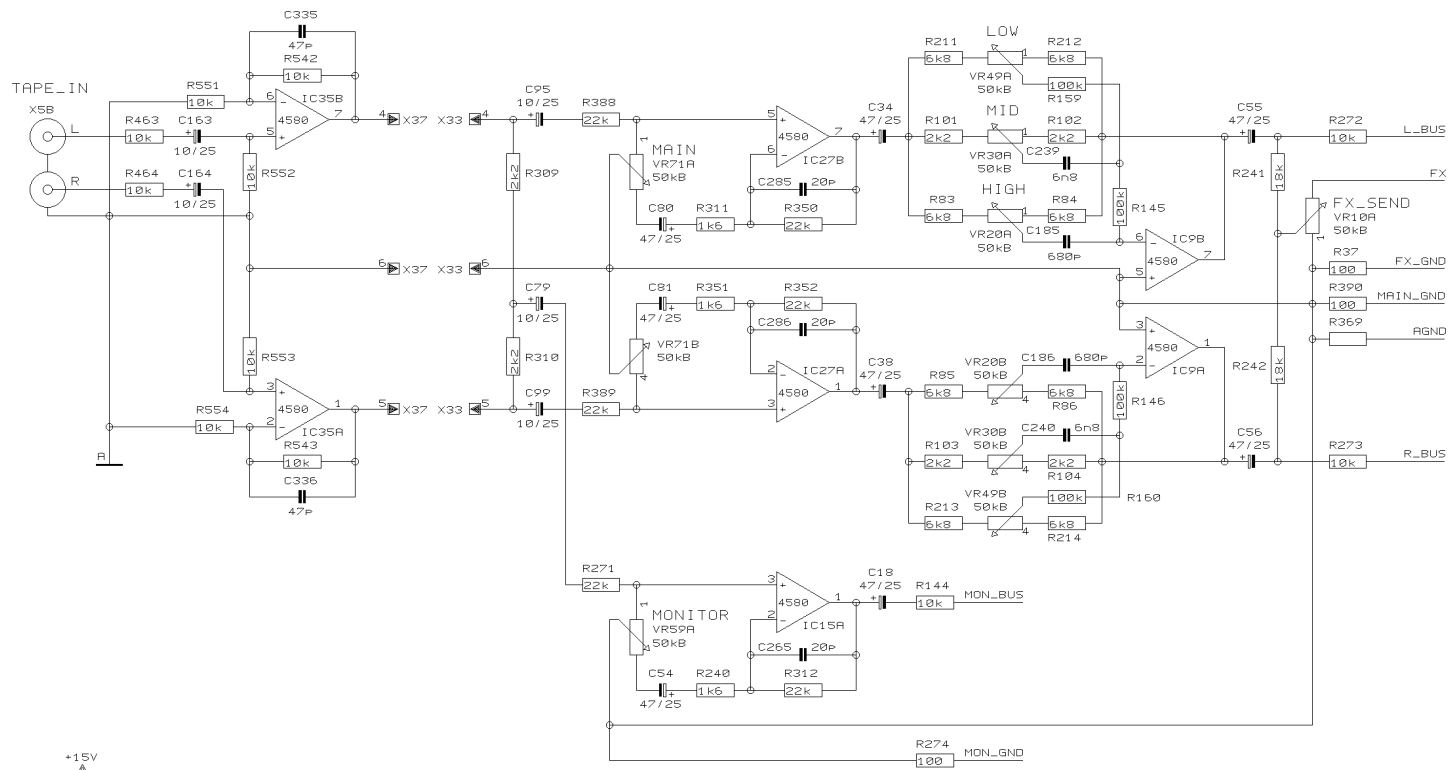
DATE 04.03. 3
16:06

BEHRINGER®

Specialized Studio Equipment

PROJECT
PMX2000
EUROPOWER
STEREO CHANNEL 9

SHEET 6 OF 10 SHEETS TOTAL

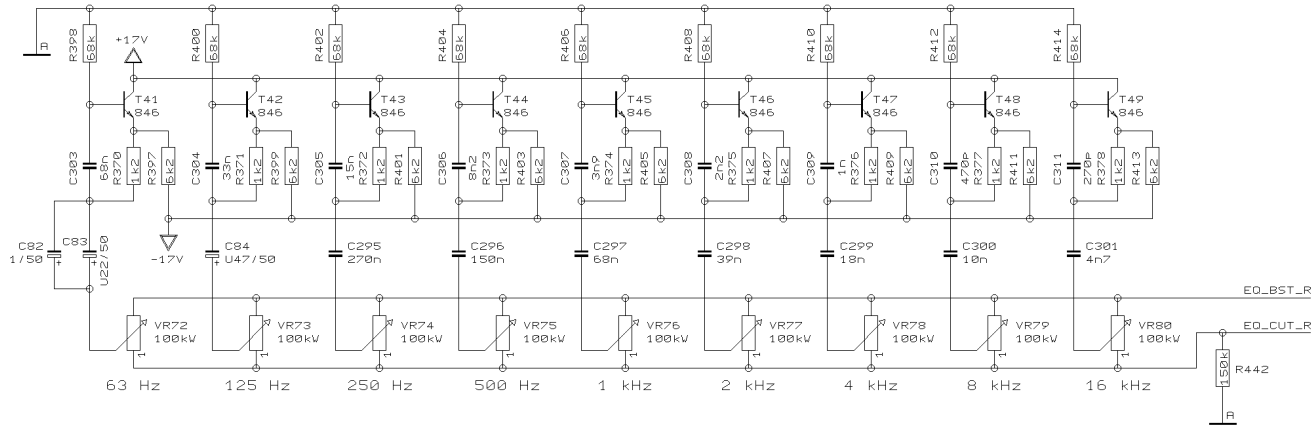
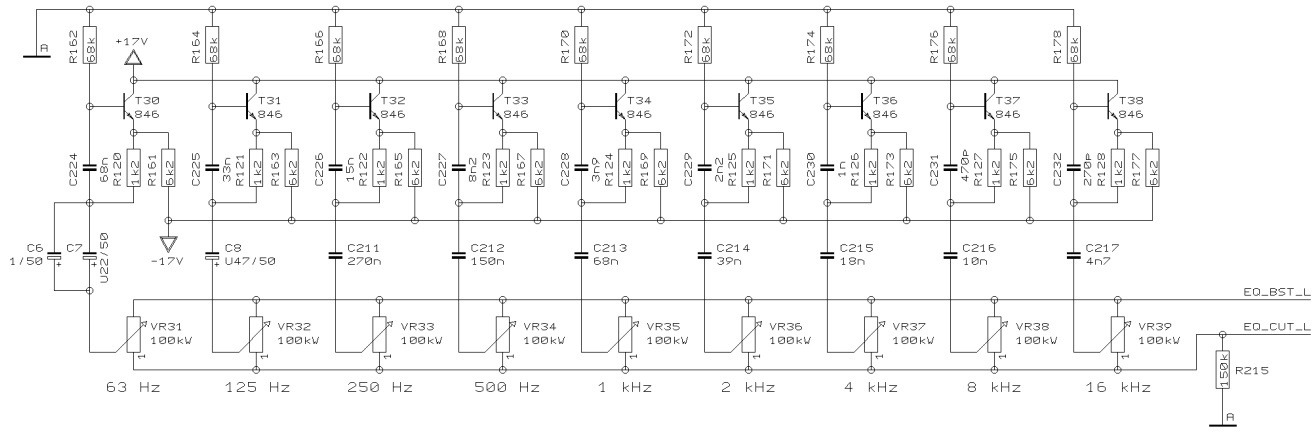


- 4 VR5PB
- 7 VR71C
- 7 VR20C
- 7 VR30C
- 4 VR10B
- 7 VR49C

REVISIONS		F	
DRAWN	BHK	CHECKED	DATE 04.03. 3 16:06



PROJECT
PMX2000
EUROPOWER
STEREO CHANNEL 10
SHEET 7 OF 10 SHEETS TOTAL



REVISIONS

F

DRAWN

BHK

CHECKED

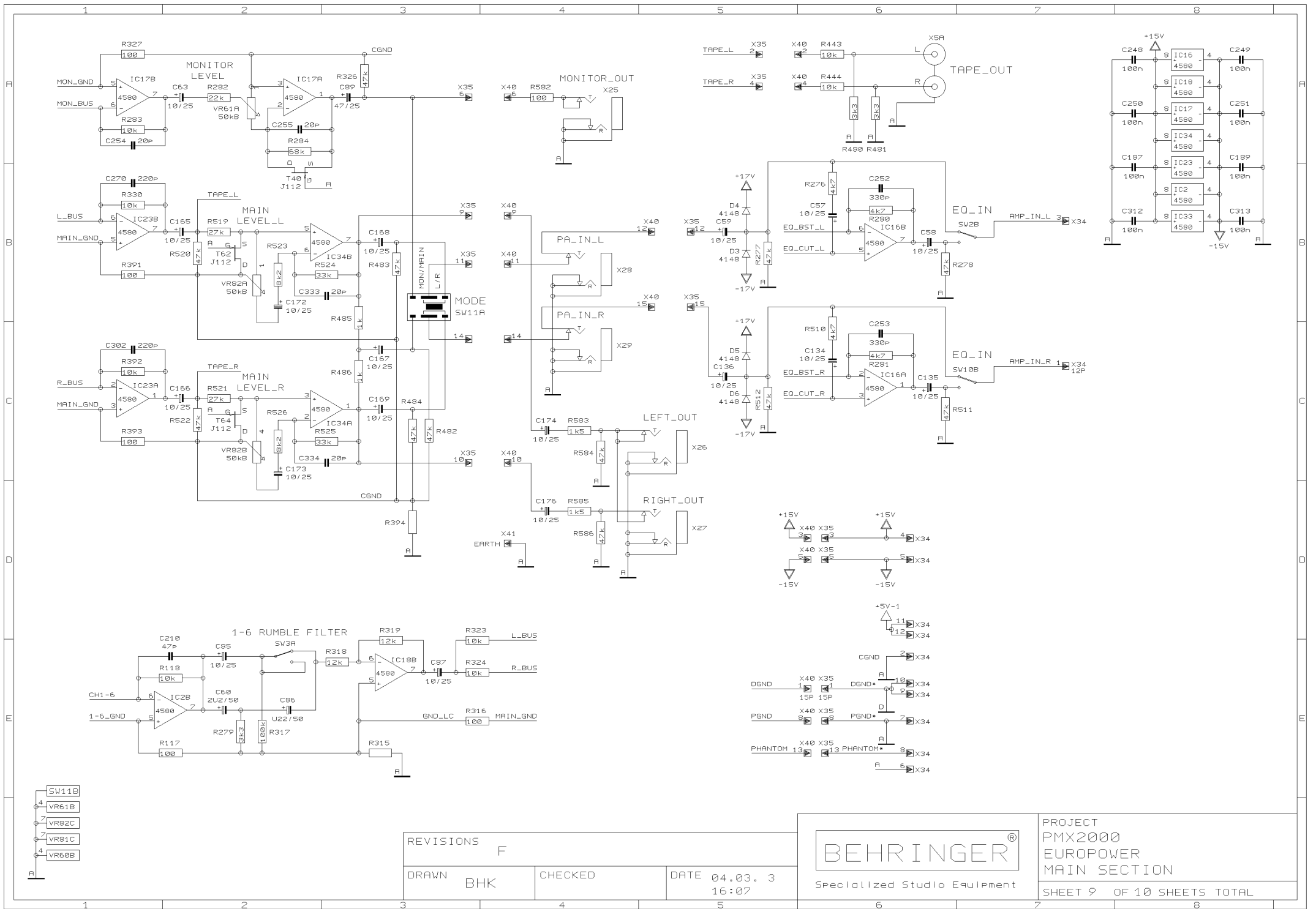
DATE 04.03. 3
16:06

BEHRINGER®

Specialized Studio Equipment

PROJECT
PMX2000
EUROPOWER
GRAPHIK EQ

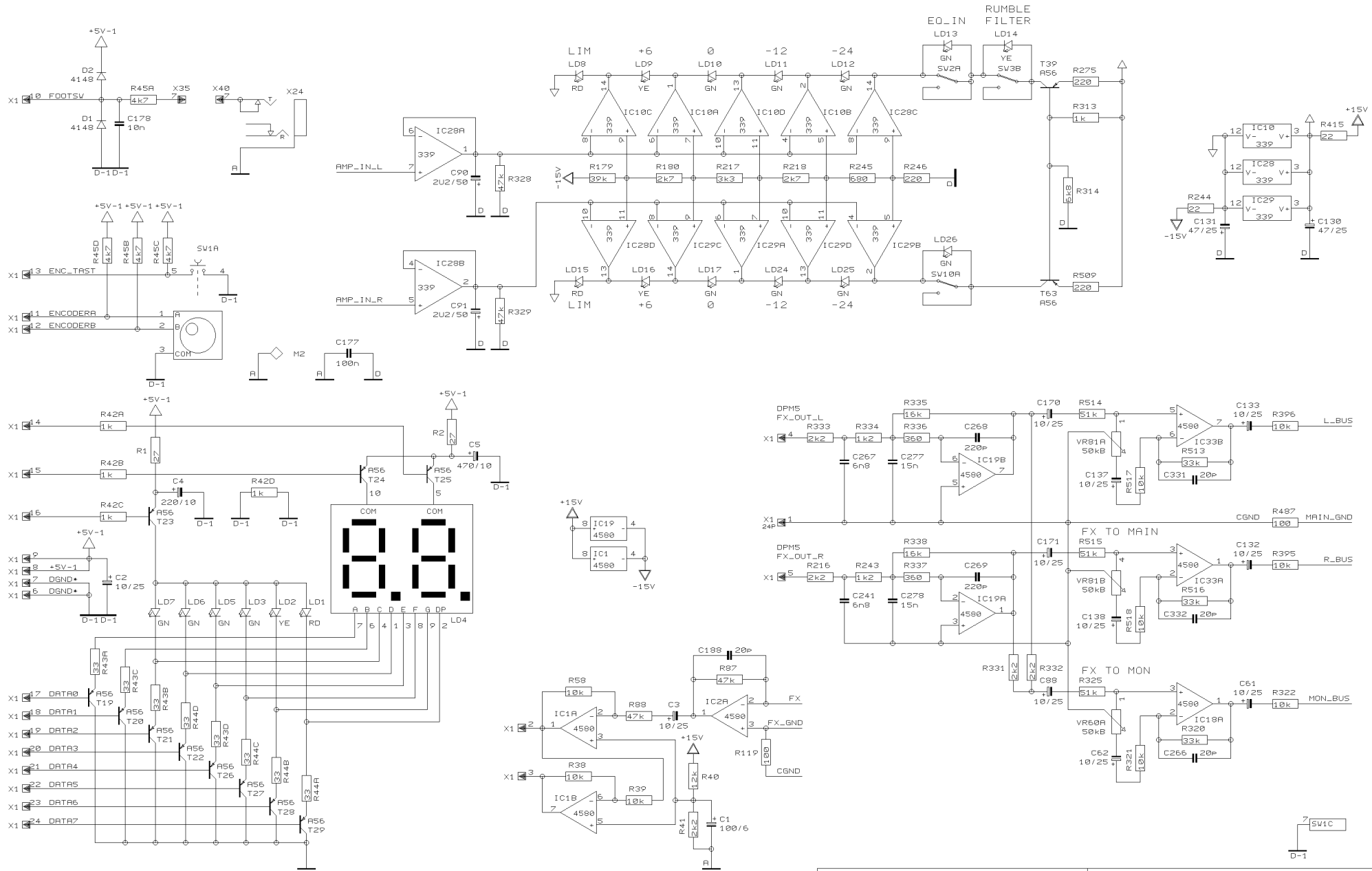
SHEET 8 OF 10 SHEETS TOTAL



REVISIONS	F		
DRAWN	BHK	CHECKED	DATE 04.03. 3 16:07



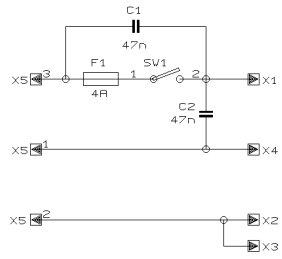
PROJECT
PMX2000
EUROPOWER
MAIN SECTION
SHEET 9 OF 10 SHEETS TOTAL



REVISIONS		F	
DRAWN	BHK	CHECKED	DATE 04.03. 3 16:07


 Specialized Studio Equipment

PROJECT
 PMX2000
 EUROPOWER
 LED/FX SECTION
 SHEET 10 OF 10 SHEETS TOTAL



REVISIONS G (24/01/03)

DRAWN BHK

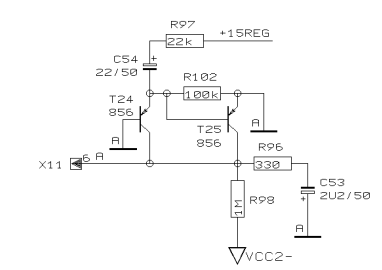
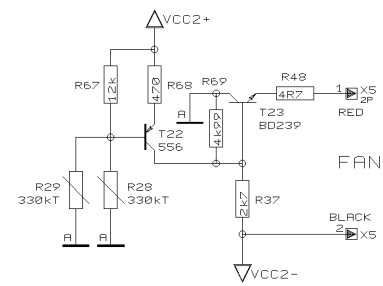
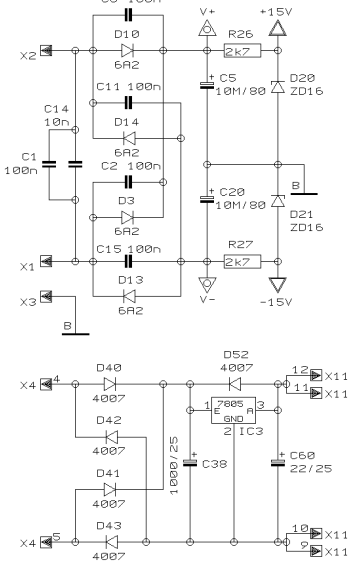
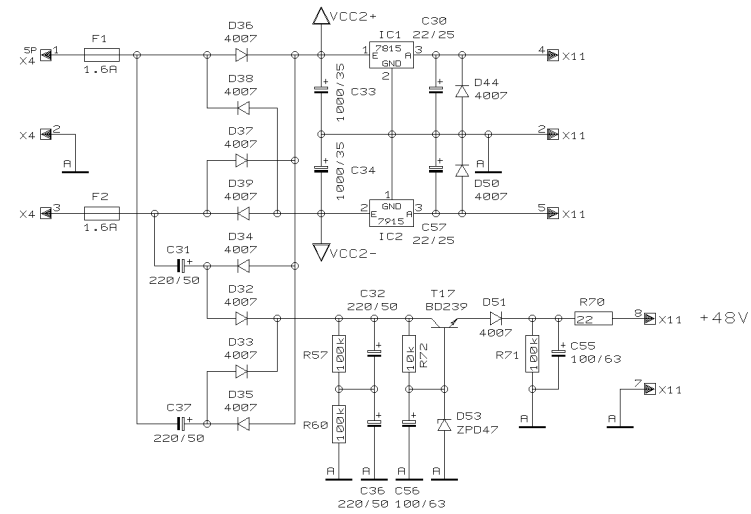
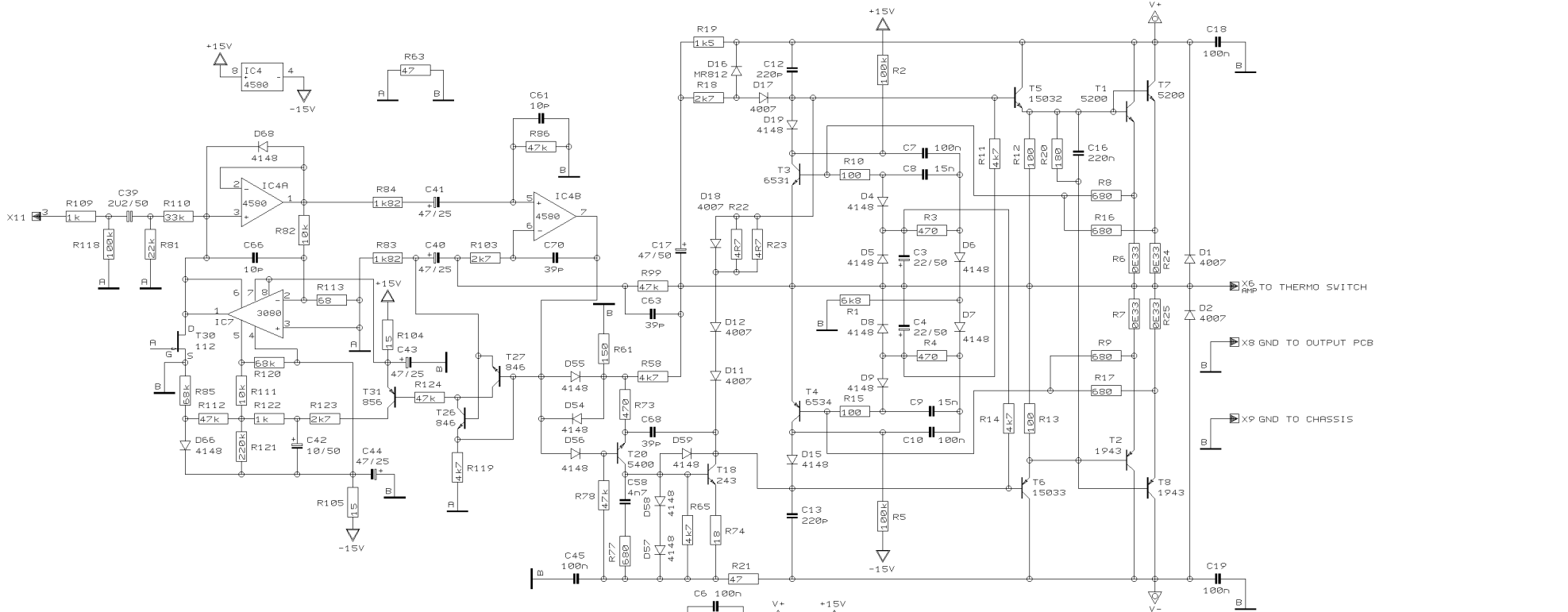
CHECKED

DATE 19.02. 3
17:16

BEHRINGER[®]
Specialized Studio Equipment

PROJECT
PSU1
EUROPOWER PMX2000
LINE FILTER

SHEET 1 OF 1 SHEETS TOTAL



REVISIONS E (15/01/03)

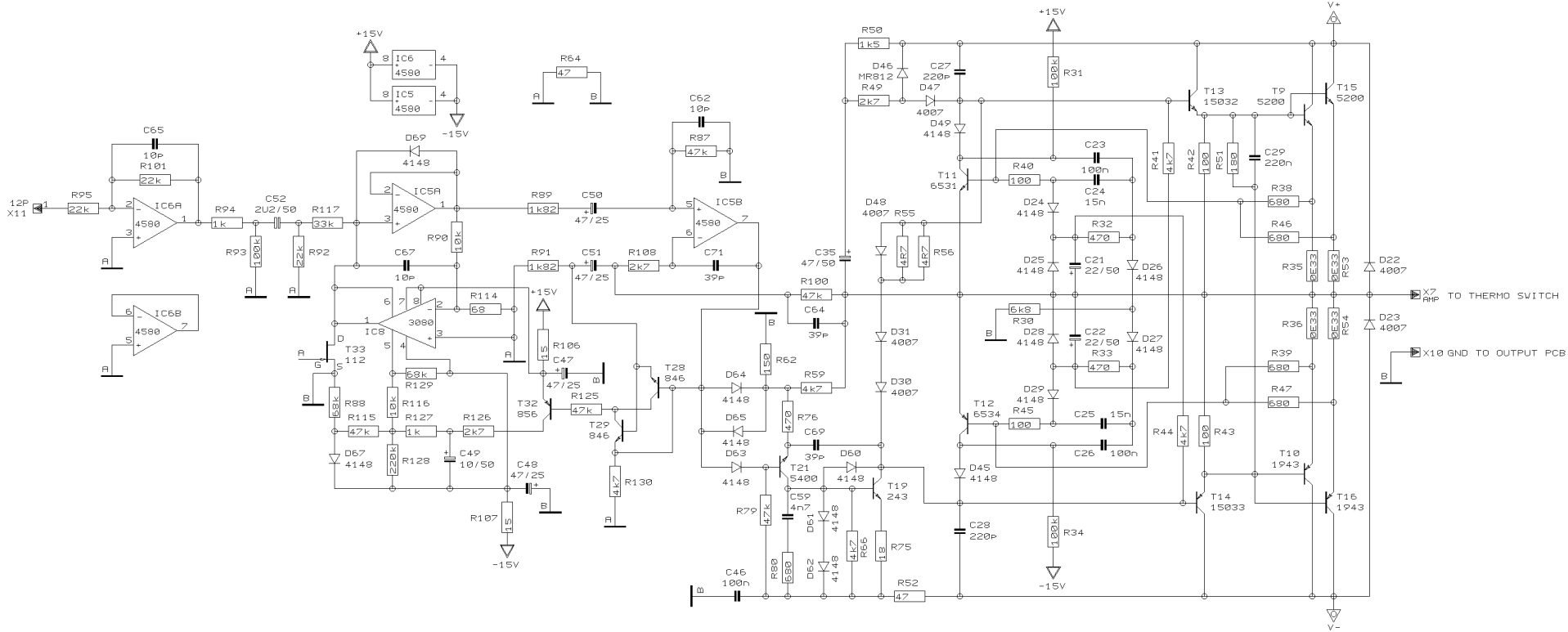
DRAWN BHK

CHECKED

DATE 19.02. 3
17:15



PROJECT P2502
EUROPOWER
POWER AMP_L
SHEET 1 OF 2 SHEETS TOTAL



REVISIONS

E

DRAWN

BHK

CHECKED

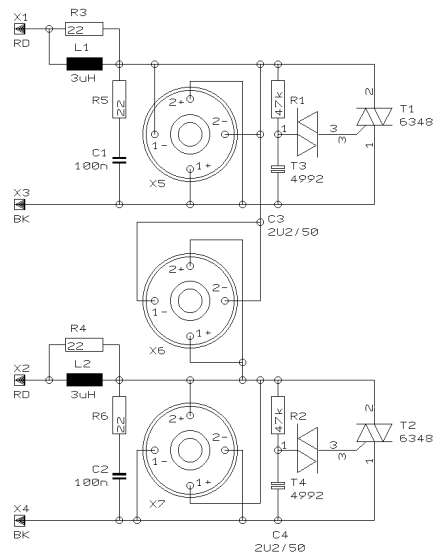
DATE 19.02. 3
17:16

BEHRINGER®

Specialized Studio Equipment

PROJECT
P2502
EUROPOWER
POWER AMP_LR

SHEET 2 OF 2 SHEETS TOTAL



REVISIONS C (04/07/02)

DRAWN BHK

CHECKED

DATE 04.03. 3
16:10

BEHRINGER®
Specialized Studio Equipment

PROJECT
OUTPUT
EUROPOWER PMX2000
OUTPUT BOARD

SHEET 1 OF 1 SHEETS TOTAL