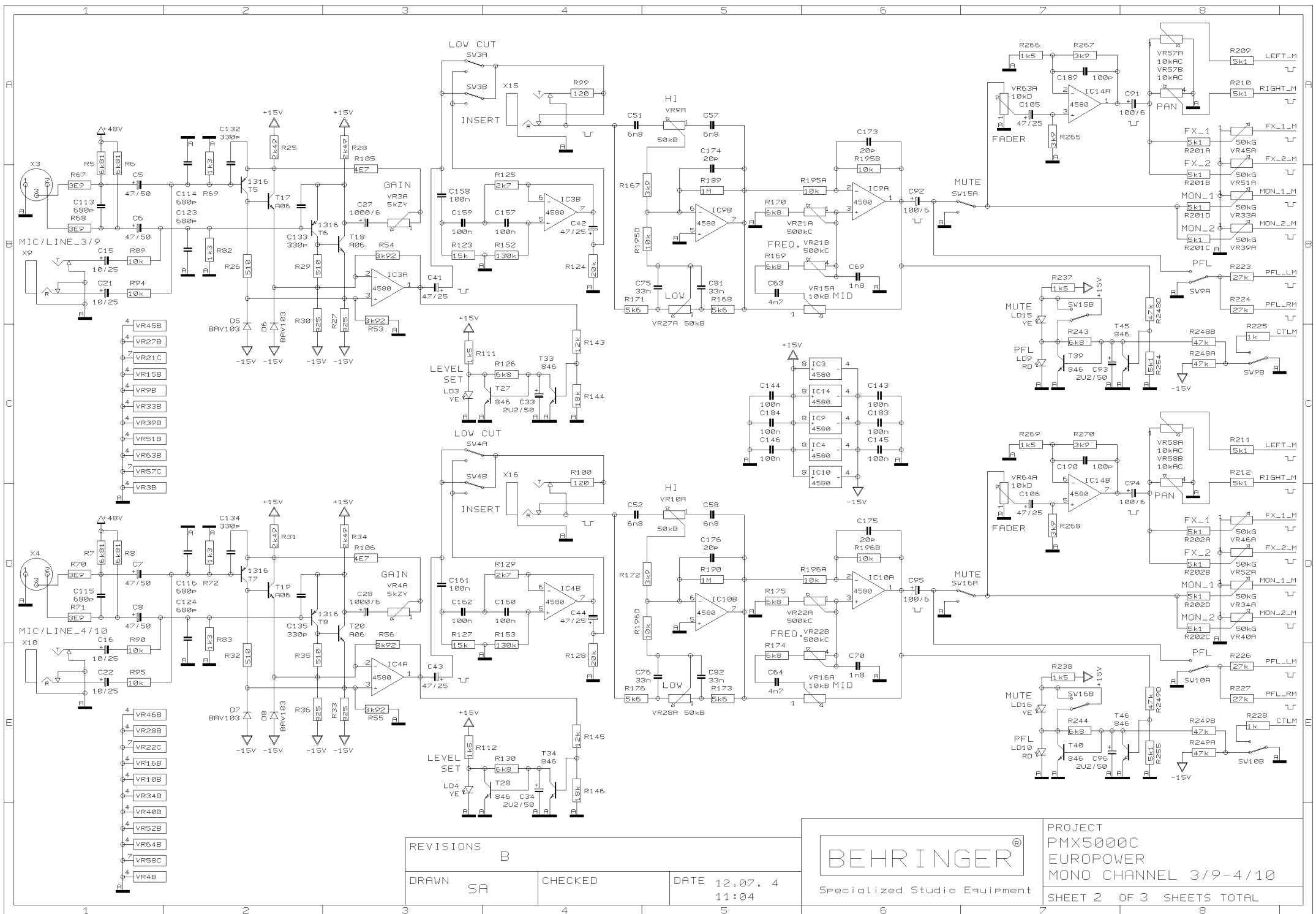


REVISIONS B (16/06/03)

DRAWN SA	CHECKED	DATE 12.07. 4 11:04
----------	---------	------------------------

BEHRINGER
Specialized Studio Equipment

PROJECT
PMX5000C
EUROPOWER
MONO CHANNEL 1/7-2/8
SHEET 1 OF 3 SHEETS TOTAL



REVISIONS B

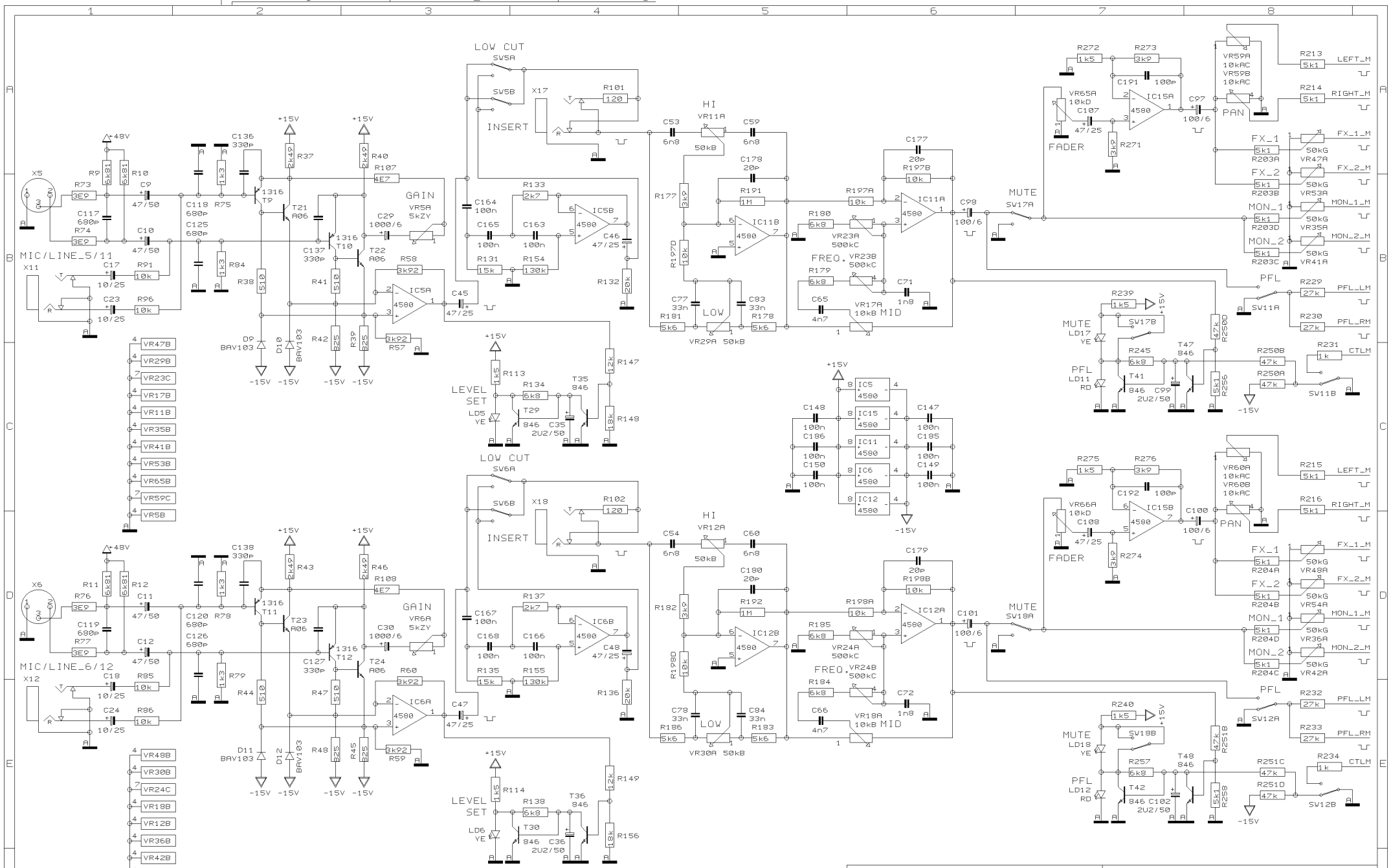
DRAWN SA

CHECKED

DATE 12.07. 4
11:04



PROJECT
PMX5000C
EUROPOWER
MONO CHANNEL 3/9-4/10
SHEET 2 OF 3 SHEETS TOTAL



REVISIONS B

DRAWN SA

CHECKED

DATE 12.07. 4
11:05



Specialized Studio Equipment

PROJECT
PMX5000C
EUROPOWER
MONO CHANNEL 5/11-6/12
SHEET 3 OF 3 SHEETS TOTAL