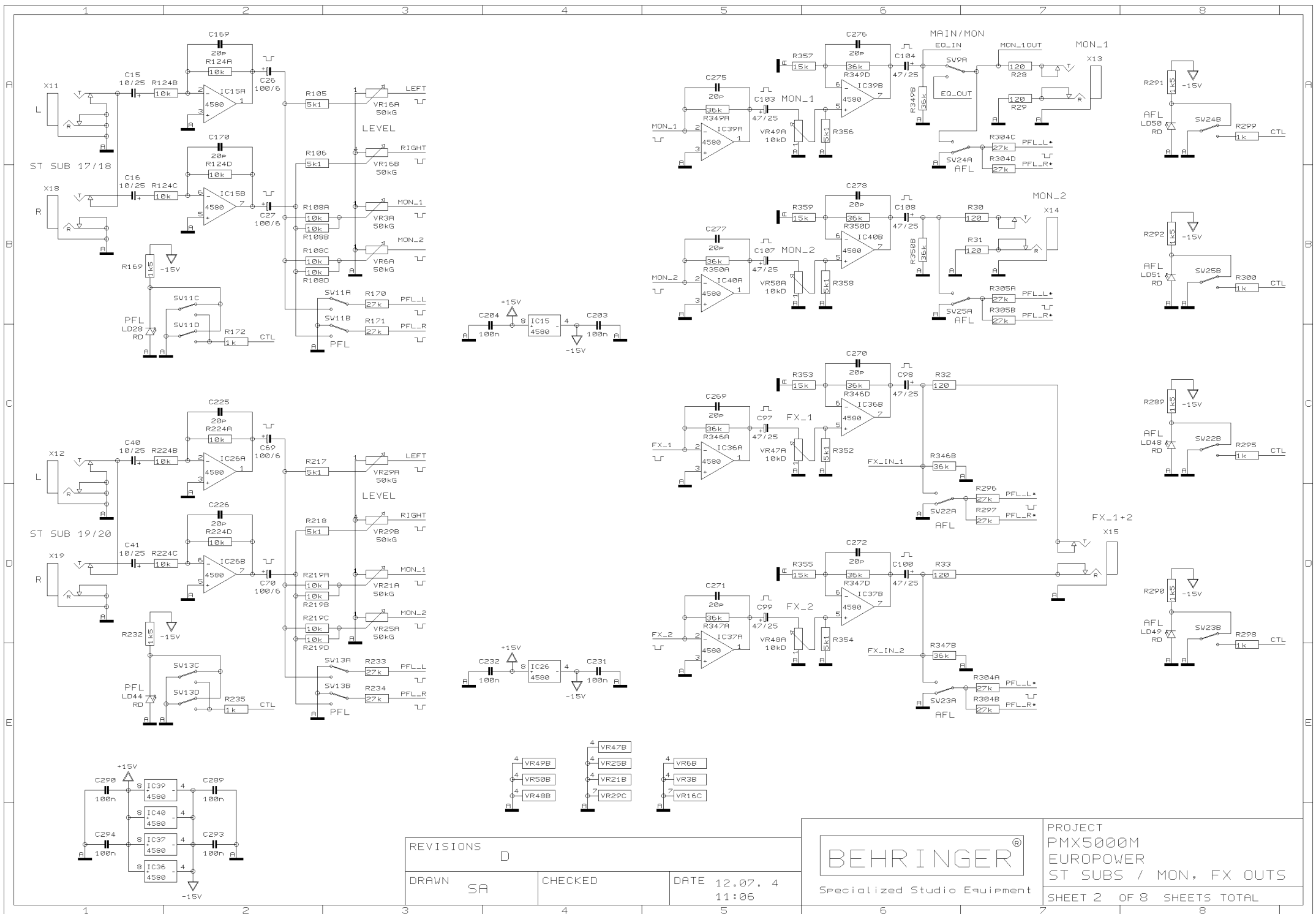


REVISIONS
D (01/12/03)

DRAWN	SA	CHECKED	DATE
			12.07. 4 11:06



PROJECT
PMX5000M
EUROPOWER
STEREO CHANNEL 13-16
SHEET 1 OF 8 SHEETS TOTAL



REVISIONS D

DRAWN SA

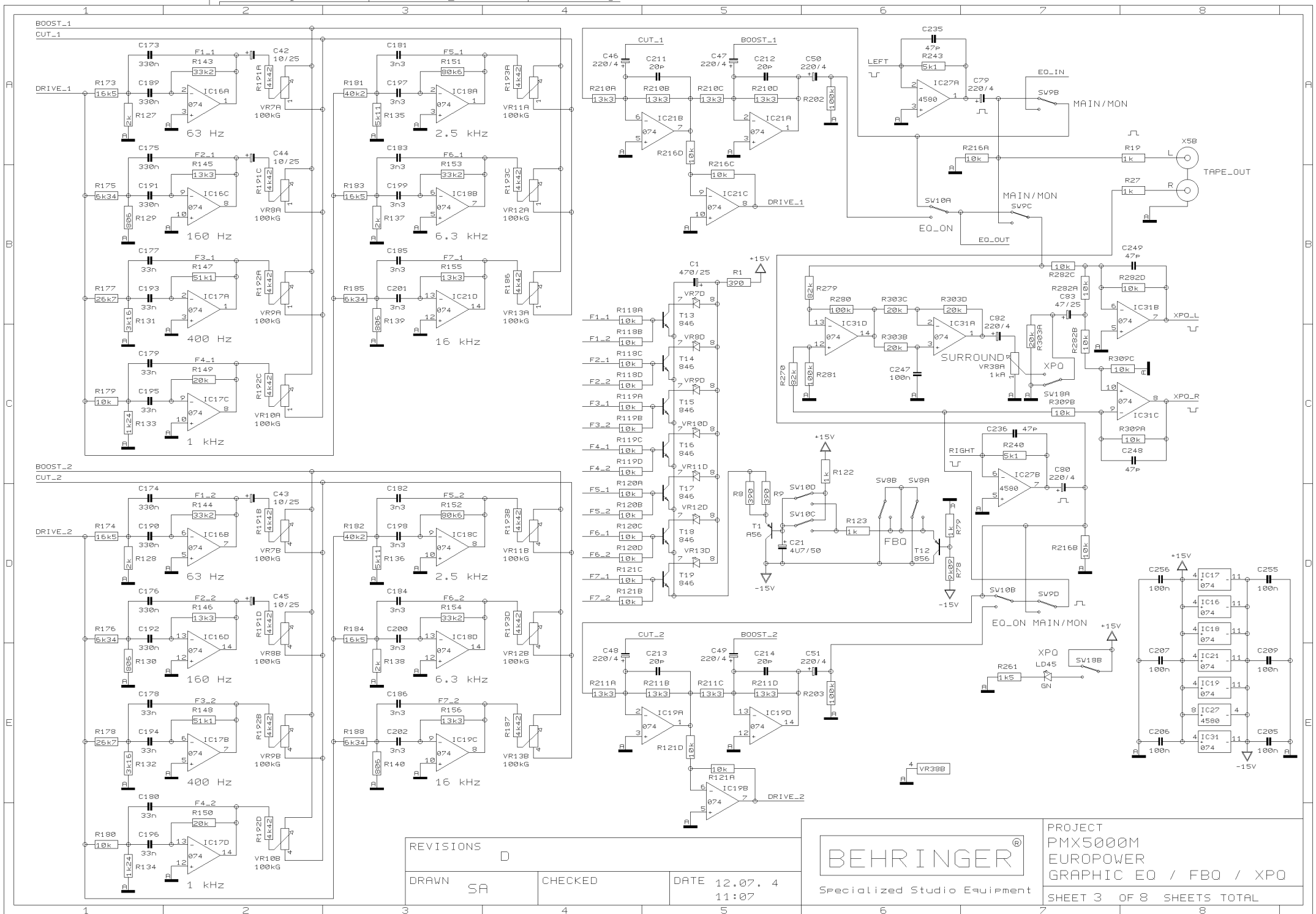
CHECKED

DATE 12.07.4
11:06



Specialized Studio Equipment

PROJECT
PMX5000M
EUROPOWER
ST SUBS / MON, FX OUTS
SHEET 2 OF 8 SHEETS TOTAL



REVISIONS D

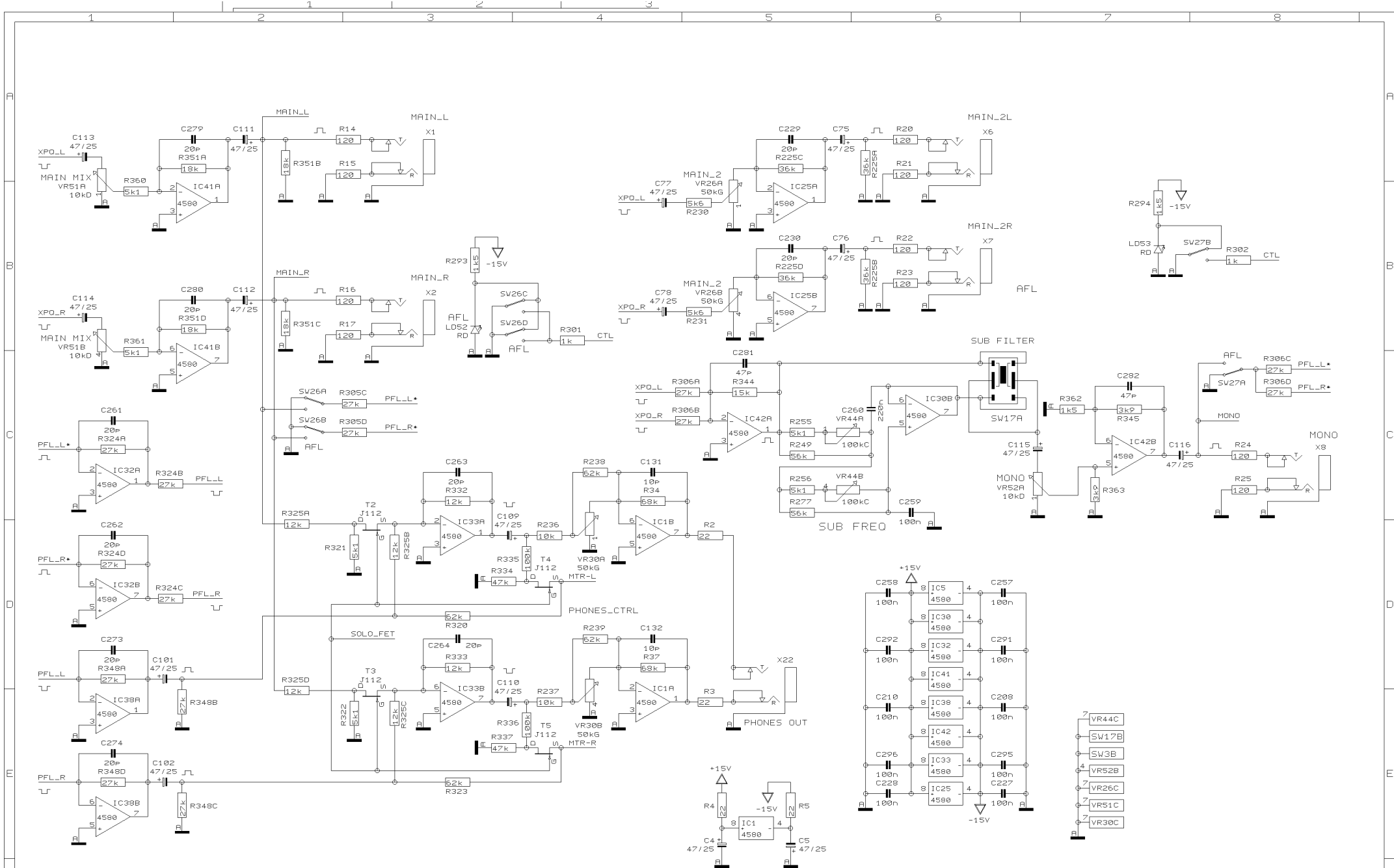
DRAWN SA

CHECKED

DATE 12.07. 4
11:07



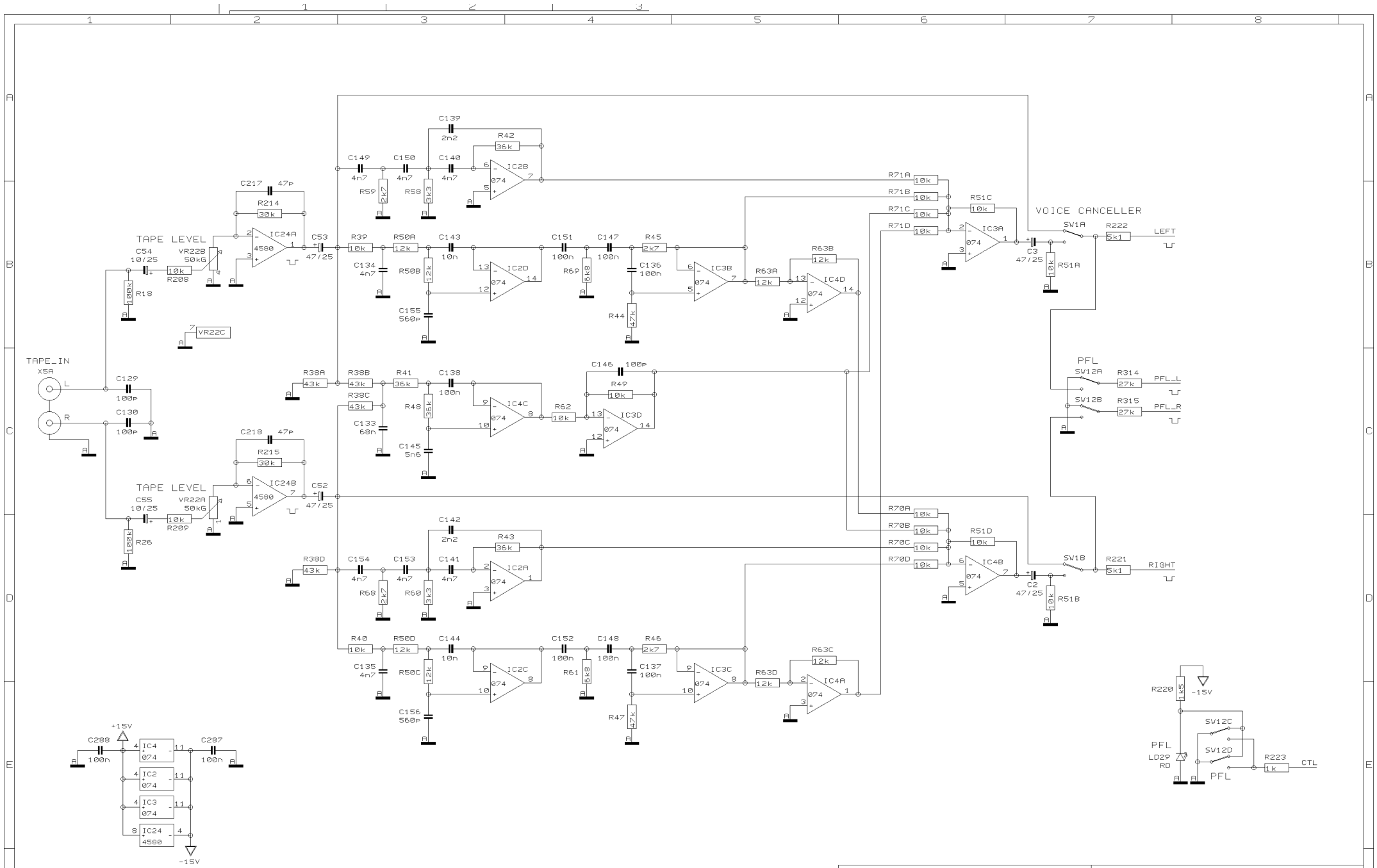
PROJECT
PMX5000M
EUROPOWER
GRAPHIC EQ / FBO / XPO
SHEET 3 OF 8 SHEETS TOTAL



REVISIONS	D		
DRAWN	SA	CHECKED	DATE 12.07. 4 11:07



PROJECT
PMX5000M
EUROPOWER
MAIN SECTION
SHEET 4 OF 8 SHEETS TOTAL



REVISIONS

D

DRAWN

SA

CHECKED

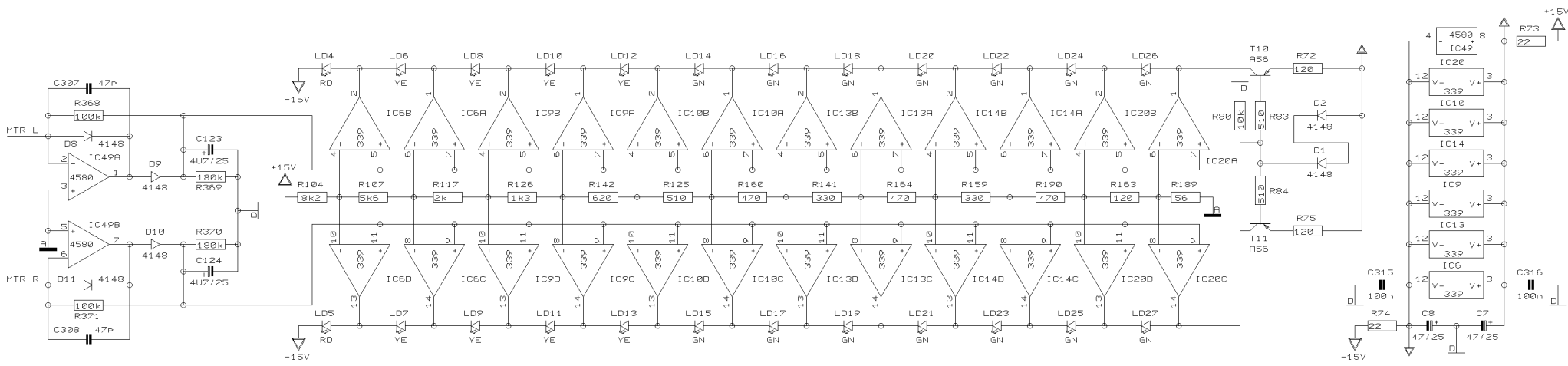
DATE 12.07. 4
11:08

BEHRINGER®

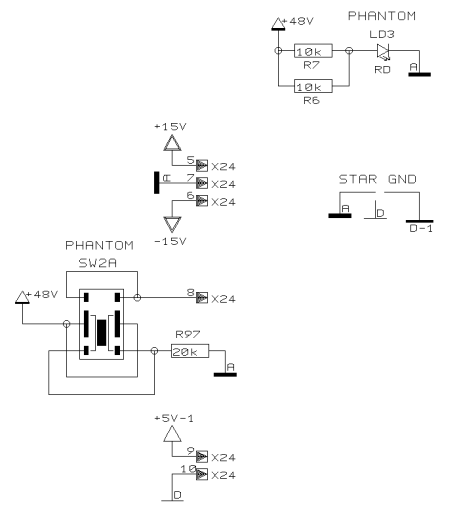
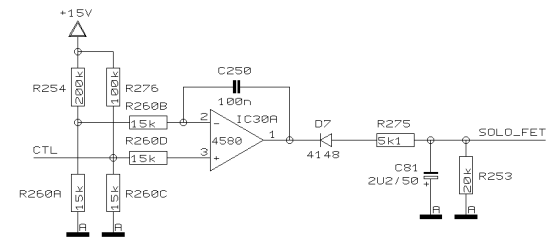
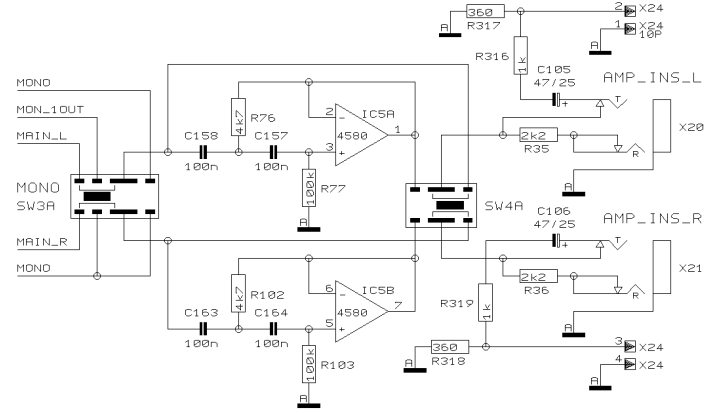
Specialized Studio Equipment

PROJECT
PMX5000M
EUROPOWER
VOICE CANCELLER

SHEET 5 OF 8 SHEETS TOTAL



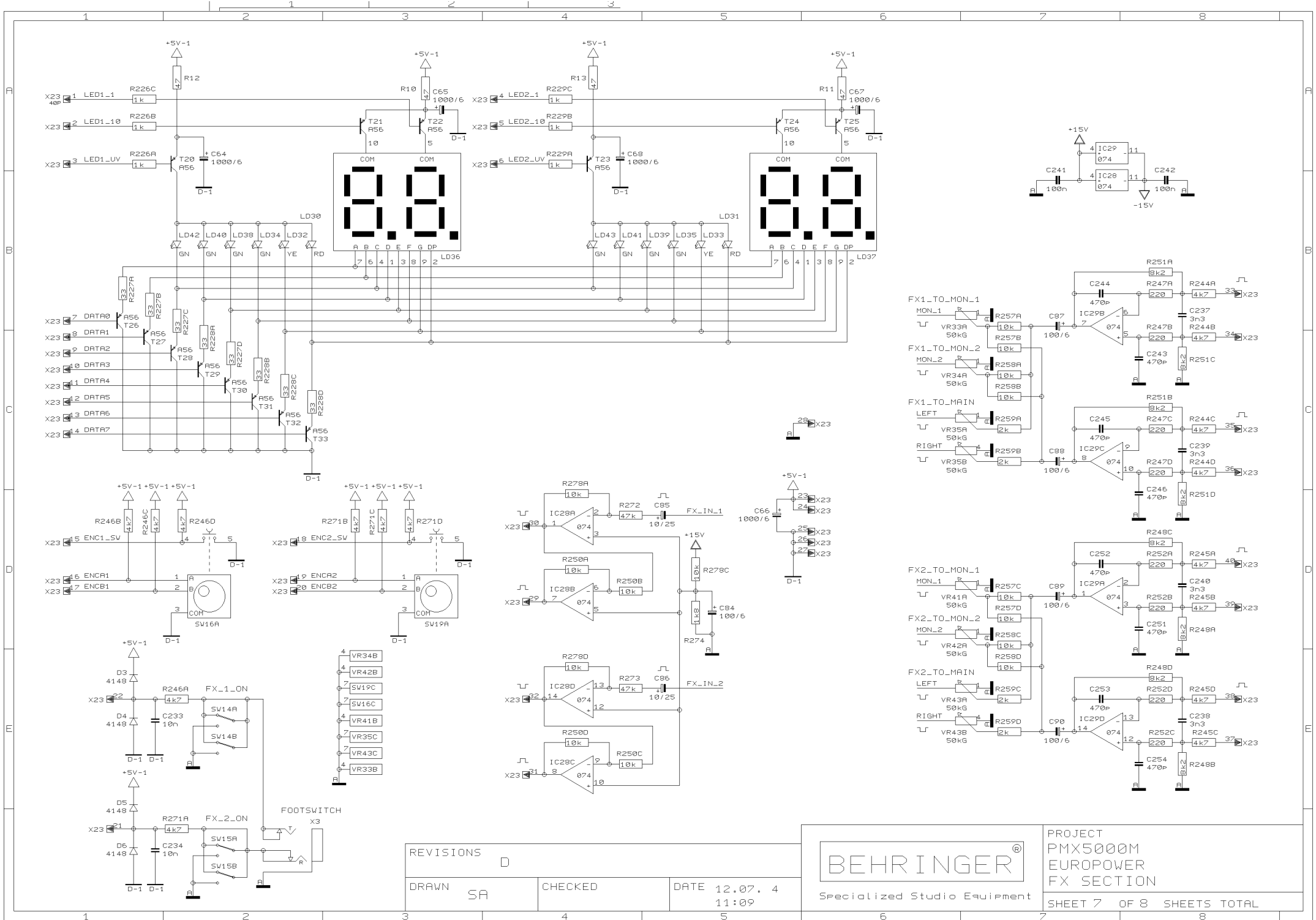
SPEAKER PROCESSING



REVISIONS		D	
DRAWN	SA	CHECKED	DATE 12.07. 4 11:08



PROJECT
PMX5000M
EUROPOWER
LED METER & FX RETURN
SHEET 6 OF 8 SHEETS TOTAL



REVISIONS

D

DRAWN SA

CHECKED

DATE 12.07. 4

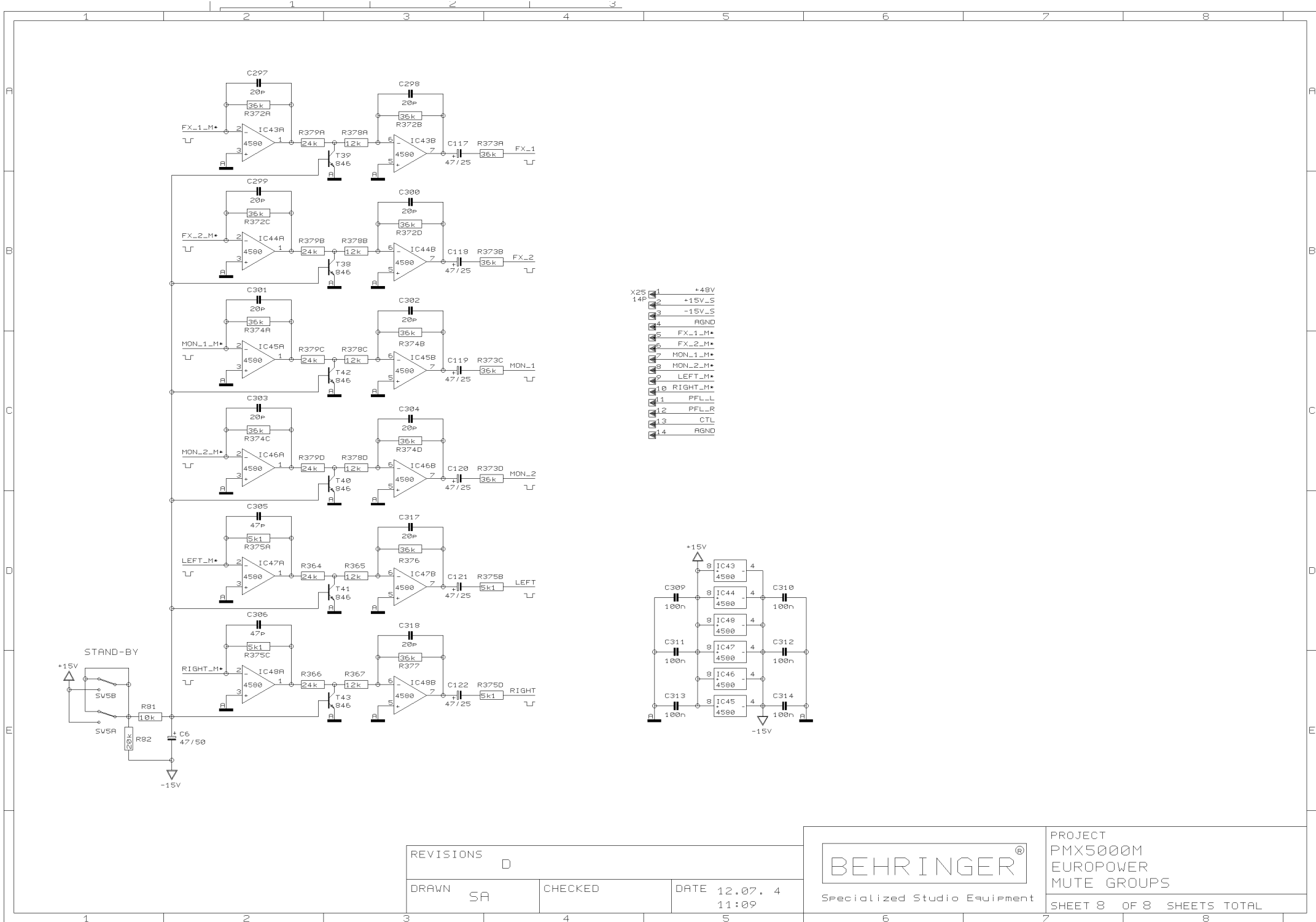
11:09

BEHRINGER®

Specialized Studio Equipment

PROJECT
PMX5000M
EUROPOWER
FX SECTION

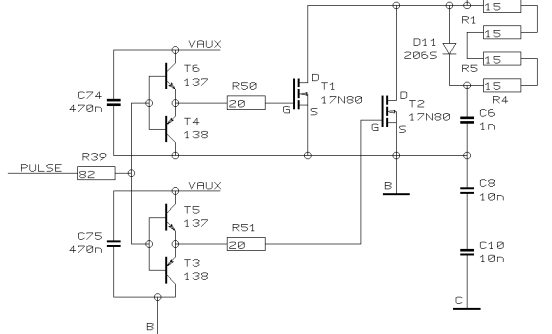
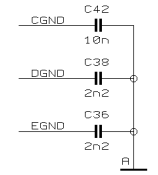
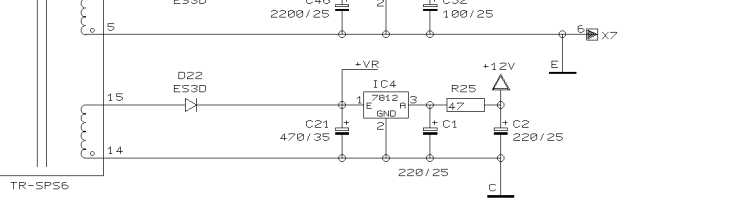
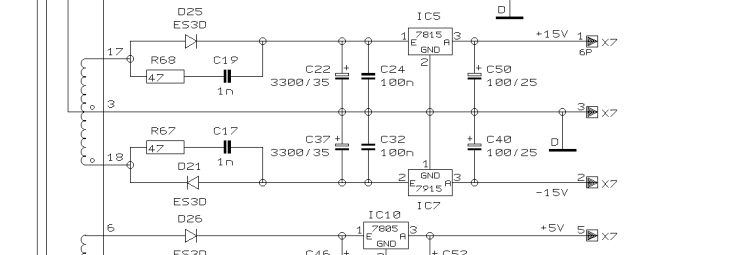
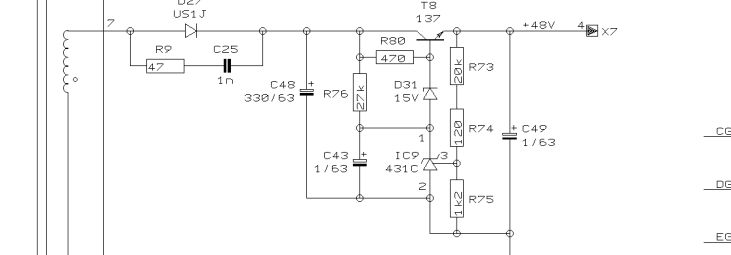
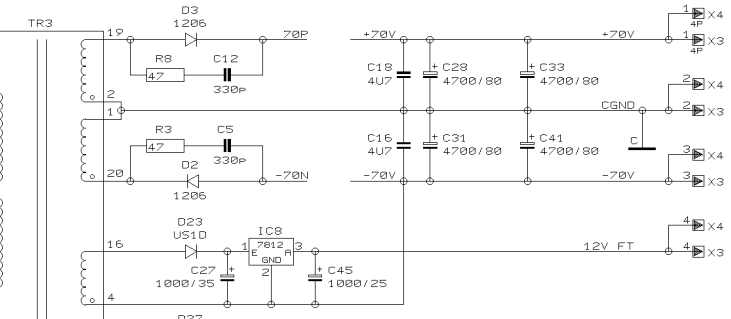
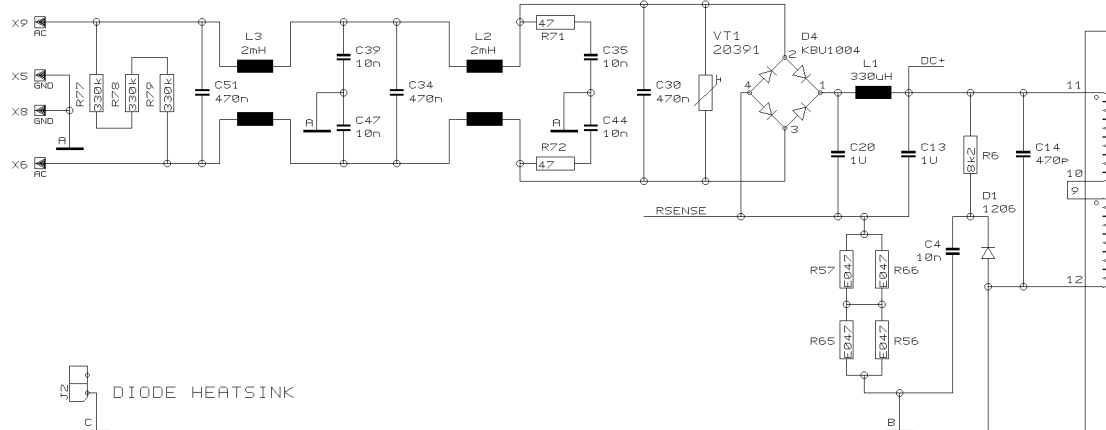
SHEET 7 OF 8 SHEETS TOTAL



REVISIONS		D	
DRAWN	SA	CHECKED	DATE 12.07. 4 11:09

BEHRINGER®
Specialized Studio Equipment

PROJECT
PMX5000M
EUROPOWER
MUTE GROUPS
SHEET 8 OF 8 SHEETS TOTAL



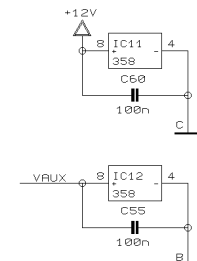
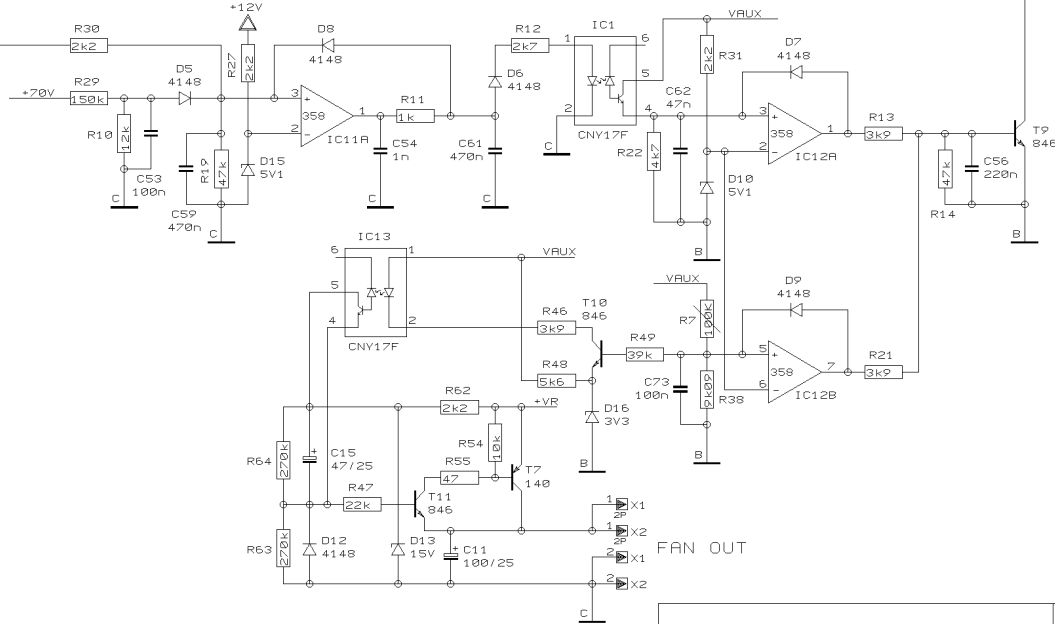
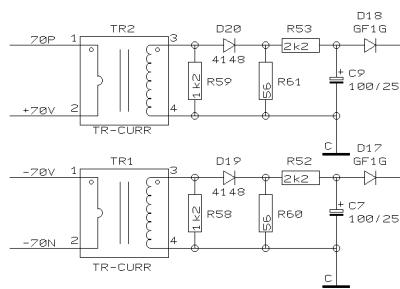
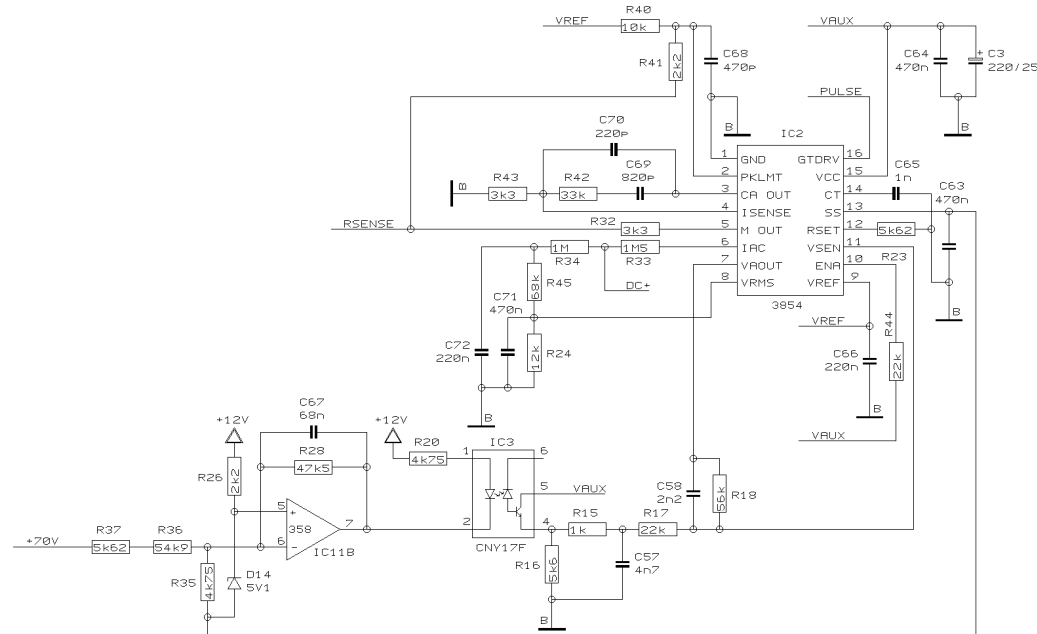
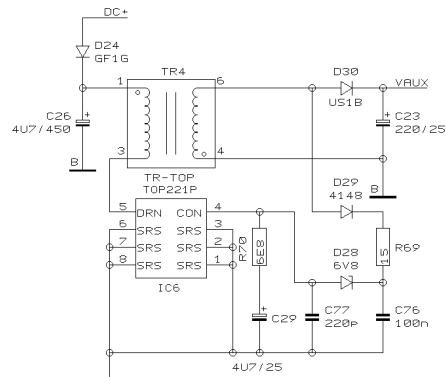
- J2 DIODE HEATSINK
- J3 MOSFET HEATSINK
- J5 -15V REG HEATSINK
- J5 +15V REG HEATSINK
- J8 +48V REG HEATSINK
- J4 FAN REG HEATSINK
- J9 +5V REG HEATSINK
- J7 12V FLOAT REG HEATSINK
- J1 CLAMP DIODE HEATSINK

REVISIONS
E (28/05/04)

DRAWN SASA CHECKED DATE 12.07. 4 14:30



PROJECT
SPS600
POWER SUPPLY 600W
SCHEMATICS
SHEET 1 OF 2 SHEETS TOTAL



REVISIONS	E	DATE	12.07. 4
DRAWN	SASA	CHECKED	
		DATE	14:30



PROJECT
SPS600
POWER SUPPLY 600W
SCHEMATICS
SHEET 2 OF 2 SHEETS TOTAL